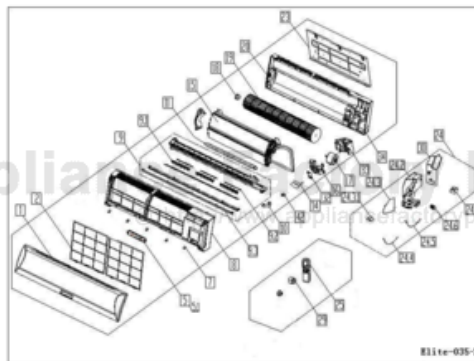


This Owner's Manual is provided and hosted by [Appliance Factory Parts](#).



# COMFORT-AIRE B-SMH24SC Owner's Manual

[Shop genuine replacement parts for COMFORT-AIRE  
B-SMH24SC](#)



[Find Your COMFORT-AIRE HVAC Parts - Select From 1486 Models](#)

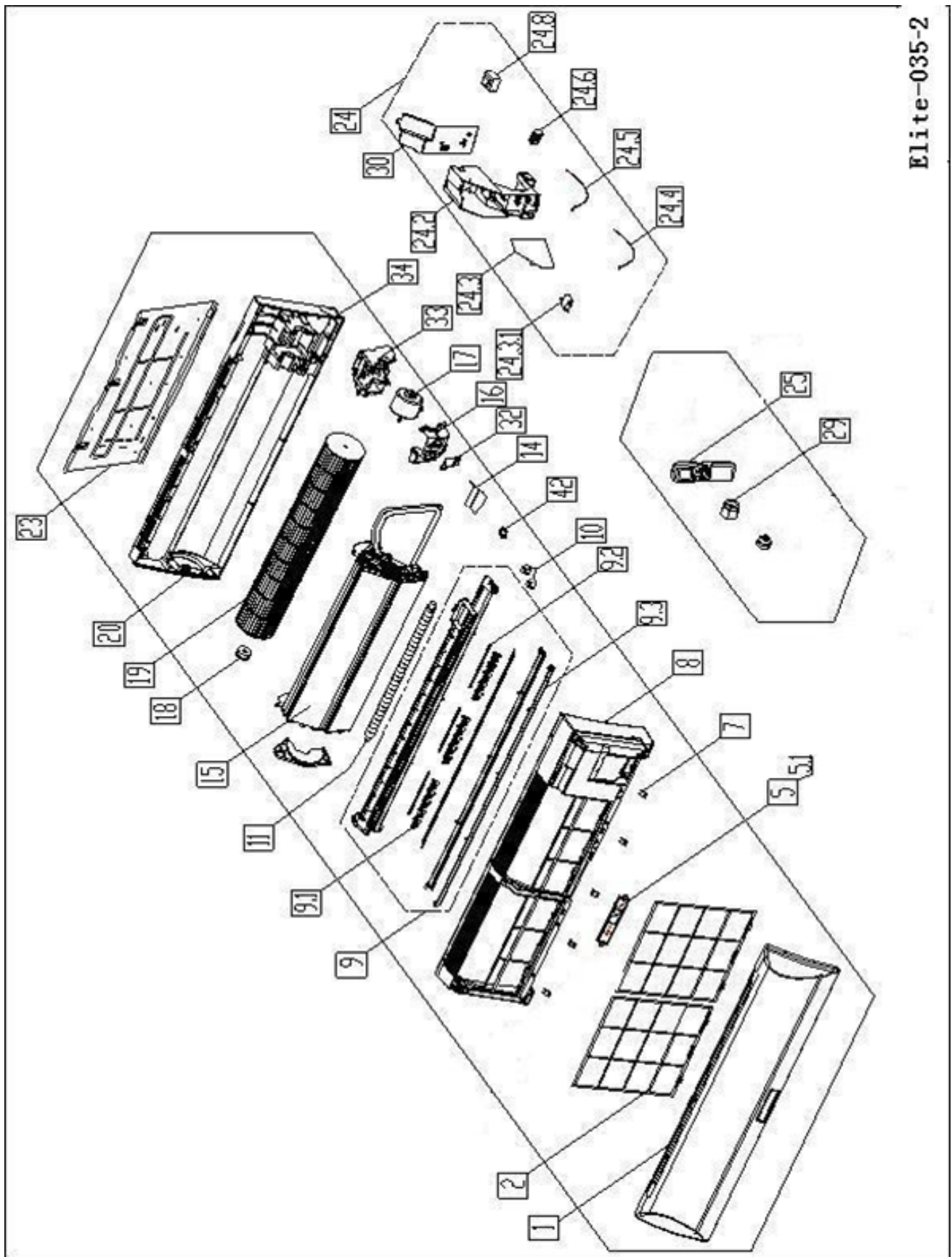
----- Manual continues below -----

HEAT CONTROLLER

**REPLACEMENT  
PARTS LIST**

**Single Zone Heat Pump  
Ductless Mini-Splits  
B-SMH24SC  
Indoor Evaporator**

# EXPLODED VIEW



Elite-035-2

## REPLACEMENT PARTS

Location	Part Name	Quantity	Part No.
1	Panel assembly	1	2011331A0431
2	Air filter	2	201130790202
5	Display box assembly	1	203333190014
7	Screw cap	5	201133190148
8	Panel frame assembly	1	201133190124
9	Air outlet assembly	1	201133190090
9.3	Horizontal louver	1	201133190115
9.3	Horizontal louver	1	201133190113
10	Louver motor	1	202400200004
11	Drain hose	1	201101020038
14	Waterproof board	1	201130790203
15	Evaporator assembly	1	201533190090
16	Fan motor cover	1	201133090035
17	Asynchronous motor	1	202400410657
18	Bearing base	1	201101090004
19	Cross flow fan	1	201100290011
20	Chassis assembly	1	201133190161
23	Installation plate	1	201233190002
24	Electronic control box assembly	1	203333090163
24.2	Electronic control box	1	201133090113
24.3	Main control board assembly	1	201333090027
24.3.1	Fan motor capacitor	1	202401290009
24.4	Indoor temperature sensor assembly	1	202432390005
24.5	Pipe temperature sensor assembly	1	202301300584
24.6	Terminal strip	1	202301420101
24.8	Transformer	1	20230090a170
25	Remote Controller	1	203355091210
27	Seal ring	1	202720090001
28	Drain connecter	1	201101020011
29	Nut	1	201600320003
29	Nut	1	201600320001
30	Cover of electronic control box	1	201133090112
32	Small cover of fan motor	1	201130790124
33	Base of fan motor	1	201133090034
34	Chassis front cover	1	201133190089
42	Fix clamp of temperature sensor	1	201102000305

Due to ongoing product improvements, specifications and dimensions are subject to change and correction without notice or incurring obligations. Determining the application and suitability for use of any product is the responsibility of the installer. Additionally, the installer is responsible for verifying dimensional data on the actual product prior to beginning any installation preparations.

Incentive and rebate programs have precise requirements as to product performance and certification. All products meet applicable regulations in effect on date of manufacture; however, certifications are not necessarily granted for the life of a product. Therefore, it is the responsibility of the applicant to determine whether a specific model qualifies for these incentive/rebate programs.

# HEAT CONTROLLER

1900 Wellworth Ave., Jackson MI 49203 • Ph. 517-787-2100 • [www.heatcontroller.com](http://www.heatcontroller.com)

A  Company