

This Owner's Manual is provided and hosted by [Appliance Factory Parts](#).



# Broil King 9868-54ED Owner's Manual

[Shop genuine replacement parts for Broil King  
9868-54ED](#)



[Find Your Broil King Grill Parts - Select From 1349 Models](#)

----- Manual continues below part list -----

## Available Replacement Parts for Broil King 9868-54ED

|                             |                                       |
|-----------------------------|---------------------------------------|
| <a href="#">18013</a>       | LARGE PROBE HEAT INDICATOR            |
| <a href="#">10081-BK630</a> | NAMEPLATE HI BROIL KING BLACK ZINC    |
| <a href="#">10240-15</a>    | HINGE PIN SIDE SHELF DROP DOWN        |
| <a href="#">S21237</a>      | HINGE PIN SPACER                      |
| <a href="#">10892-15</a>    | CASTER 2 1/2 INCH WHEEL KNURLED       |
| <a href="#">S21124</a>      | SCREW PHCP #8 X 12 +                  |
| <a href="#">10892-931A</a>  | WHEEL 7 INCH GREY WALL                |
| <a href="#">18429</a>       | FLAV R WAVE - SIGNET/SOVEREIGN        |
| <a href="#">10184-e78A</a>  | END CAP DOOR TOP LHS W/MAGNET         |
| <a href="#">10184-e76</a>   | END CAP DOOR BOTTOM LEFT A            |
| <a href="#">10184-e79a</a>  | END CAP DOOR TOP RHS W/MAGNET         |
| <a href="#">10342-E400A</a> | COLLECTOR BOX ASSEMBLY                |
| <a href="#">10184-E62</a>   | SHELF SUPPORT BRACKET LHS +           |
| <a href="#">10184-E63</a>   | SHELF SUPPORT BRACKET RHS +           |
| <a href="#">10958-E81</a>   | BASE RESIN CABINET REV A +            |
| <a href="#">10958-E761</a>  | PANEL SIDE BLACK +                    |
| <a href="#">10958-E901</a>  | PANEL REAR BLACK 21 3/4 INCH NEW 2006 |
| <a href="#">10184-E691</a>  | ALIGNMENT BRACKET BLACK               |
| <a href="#">10184-E77</a>   | END CAP DOOR BOTTOM RIGHT A           |
| <a href="#">S15170</a>      | AXLE PLTD 3/8X20 5/8 CAB +            |
| <a href="#">10958-E400A</a> | LID INSERT 400 SS W/HOLE +            |
| <a href="#">10184-E641</a>  | SHELF SUPPORT RIGHT BLK               |
| <a href="#">18629</a>       | TUBE IN TUBE BURNER SIGNET/SOVEREIGN  |
| <a href="#">10472-E38</a>   | CONTROL KNOB - BEZEL BLK              |
| <a href="#">10184-E501</a>  | CASTING SUPPORT L BLK                 |
| <a href="#">10184-E511</a>  | CASTING SUPPORT RHS BLK               |
| <a href="#">11184-E341</a>  | ROTISSERIE BRACKET MOTOR              |
| <a href="#">10184-E44</a>   | ROTISSERIE BRACKET LHS (1 HOLE)       |
| <a href="#">11228</a>       | CI COOKING GRIDS SET OF 2             |
| <a href="#">10225-E401</a>  | GRID - WARMING RACK +                 |

|                             |  |
|-----------------------------|--|
| <a href="#">10956-E591</a>  | BRACE FRONT BLACK                        |
| <a href="#">18529</a>       | FLAV R WAVE DIVIDER - SIGNET/SOVEREIGN   |
| <a href="#">10958-e79lw</a> | DOOR SMALL LHS CABINET ASSY +            |
| <a href="#">10194-E433</a>  | CONTROL COVER SS 3V 2.36 +               |
| <a href="#">10956-E881</a>  | BRACE REAR BLACK                         |
| <a href="#">52049-91</a>    | GREASE PAN SHIELD +                      |
| <a href="#">10184-E211</a>  | TANK COLLAR CLAMP 3B BLACK               |
| <a href="#">10184-E201</a>  | TANK STRAP 3B BLACK                      |
| <a href="#">10711-E821</a>  | SHELF BODY BLACK                         |
| <a href="#">10342-245</a>   | IGNITOR ELECTRONIC DUAL +                |
| <a href="#">10184-E931</a>  | DOOR CATCH BRACKET - BLACK               |
| <a href="#">10184-F96</a>   | RADIATION SHIELD 400                     |
| <a href="#">10184-F97</a>   | GREASE TRAY SUPPORT 400                  |
| <a href="#">10184-R83</a>   | CASTING BOSS EXTENSION 340 +             |
| <a href="#">10711-E33</a>   | EDGE CAP CONTROL COVER RHS               |
| <a href="#">10711-E34</a>   | EDGE CAP CONTROL COVER LHS               |
| <a href="#">10711-E49</a>   | EDGE CAP SIDE SHELF                      |
| <a href="#">57154-901</a>   | GREASE TRY 340/401 0.8MM BLK HI HEAT PNT |
| <a href="#">10184-E33</a>   | ROTISSERIE BRACKET (2 HOLES)             |
| <a href="#">10111-16A</a>   | HOSE ASSEMBLY PIGTAIL +                  |
| <a href="#">10444-E30</a>   | CONTROL ASSEMBLY 3V LP +                 |
| <a href="#">10444-E31</a>   | CONTROL ASSEMBLY 3V +                    |
| <a href="#">17010</a>       | CONTROL KNOB RESIN LRG BLACK             |
| <a href="#">10111-K45</a>   | HOSE 3/8 INCH ASSEMBLY NG 10 FOOT +      |
| <a href="#">10342-E12</a>   | ELECTRODE W/WIRE +                       |
| <a href="#">52009-901</a>   | GREASE PAN - BLACK HIGH HEAT PAINT       |
| <a href="#">10114-16</a>    | HOSE & REG ASSY 17 INCH LP +             |
| <a href="#">10909-E402</a>  | BOTTOM CASTING 401 +                     |

# Broil King®

ASSEMBLY MANUAL & PARTS LIST - MANUEL DE MONTAGE & LISTE DE PIÈCES - MANUAL DE ARMADO Y LISTA DE PARTES



**Broil King**

SIGNET 20  
9868-54  
9868-57



**Broil King**

SIGNET 20  
9868-54ED  
9868-57ED



**Broil King**

SIGNET 320  
9864-54  
9864-57

RETAIN FOR FUTURE REFERENCE - VEUILLEZ CONSERVER POUR REFERENCE ULTERIEURE - CONSERVER PARA FUTURAS CONSULTAS

ASSEMBLY VIDEO

VIDÉO MONTRANT  
L'ASSEMBLAGE

VIDEO DE  
ENSAMBLAJE



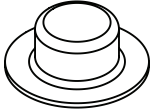
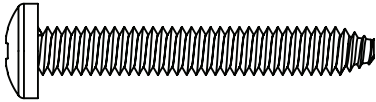
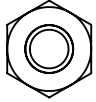

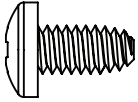
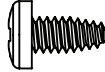
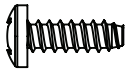
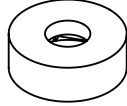
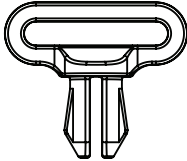
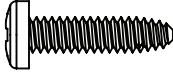

BROILKINGBBQ.COM

*Onward*  
SINCE 1906  
MANUFACTURING COMPANY LIMITED  
585 KUMPF DRIVE  
WATERLOO, ONTARIO, CANADA  
N2V 1K3

info@omcbbq.com  
1-800-265-2150

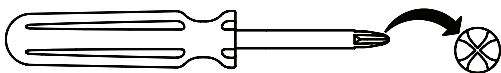
10084-E37 REV D 02/16

HARDWARE INCLUDED / MATERIAL INCLUS / EQUIPOS INCLUIDO

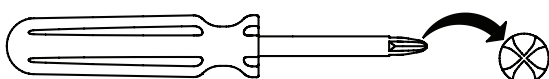
|         |   |    |         |  |    |
|---------|---|----|---------|--|----|
| S21420  |    | X2 | Y-11561 |    | X4 |
| Y-11793 |    | X2 | AAA     |   | X1 |
| Y-12865 |    | X8 | Y-29304 |   | X2 |
| S21124  |    | X2 | Y-12124 |   | X2 |
| Y-12673 |   | X2 | Y-29306 |  | X2 |
| S21061  |  | X2 |         |  |    |
|         |   |    |         |  |    |

TOOLS REQUIRED / OUTILS NECESSAIRES / HERRAMIENTAS NECESARIAS

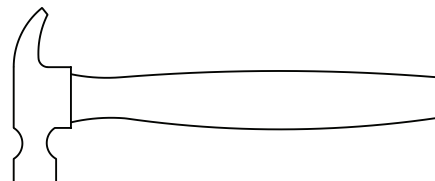
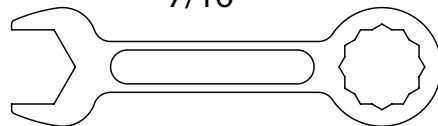
#2 PHILLIPS



#3 PHILLIPS

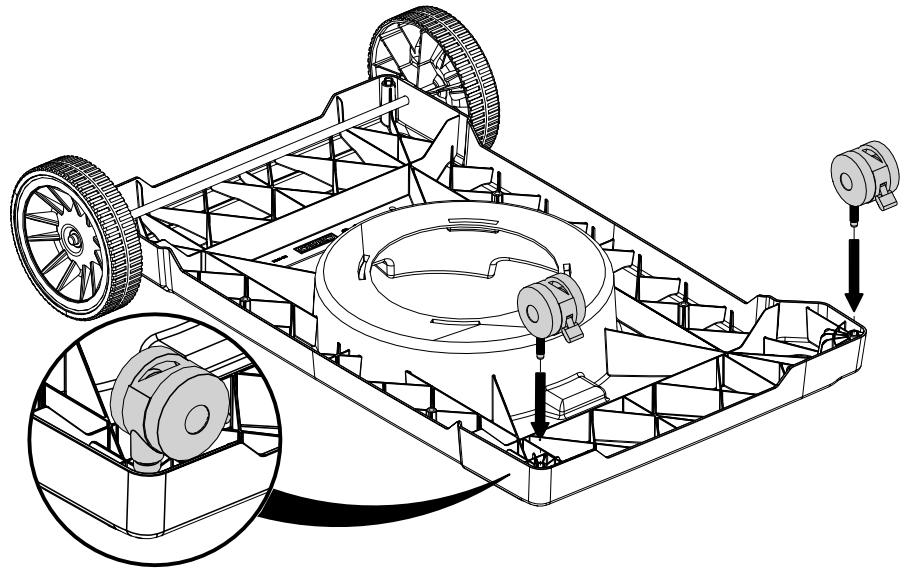
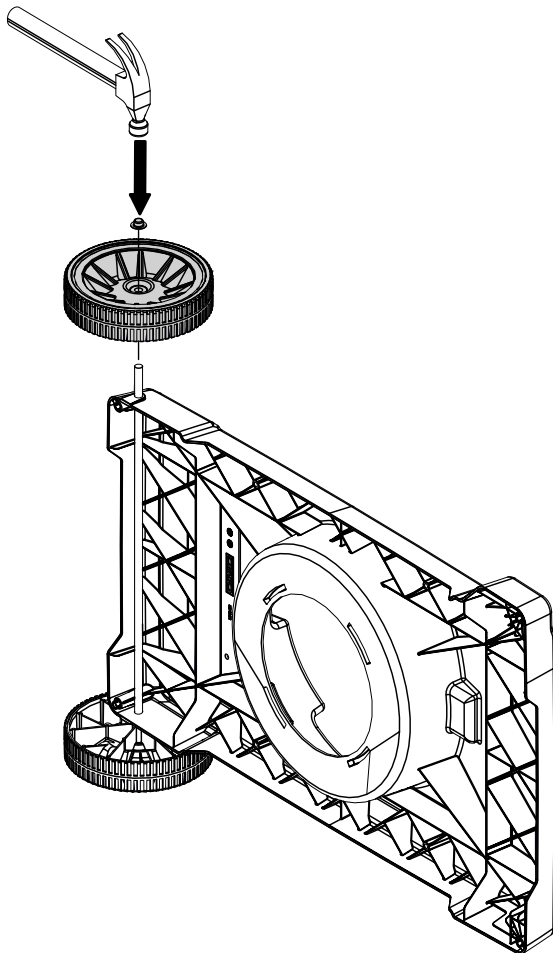
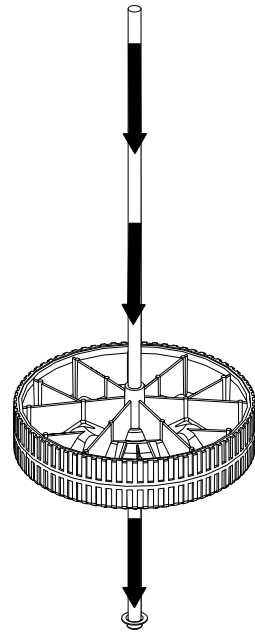
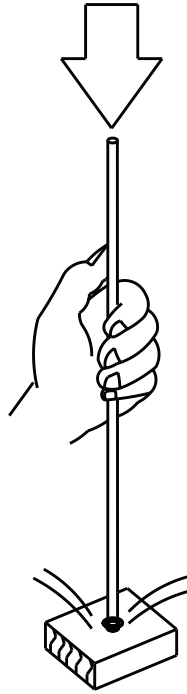
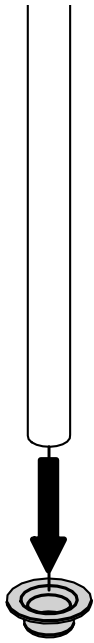
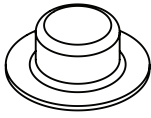


7/16"

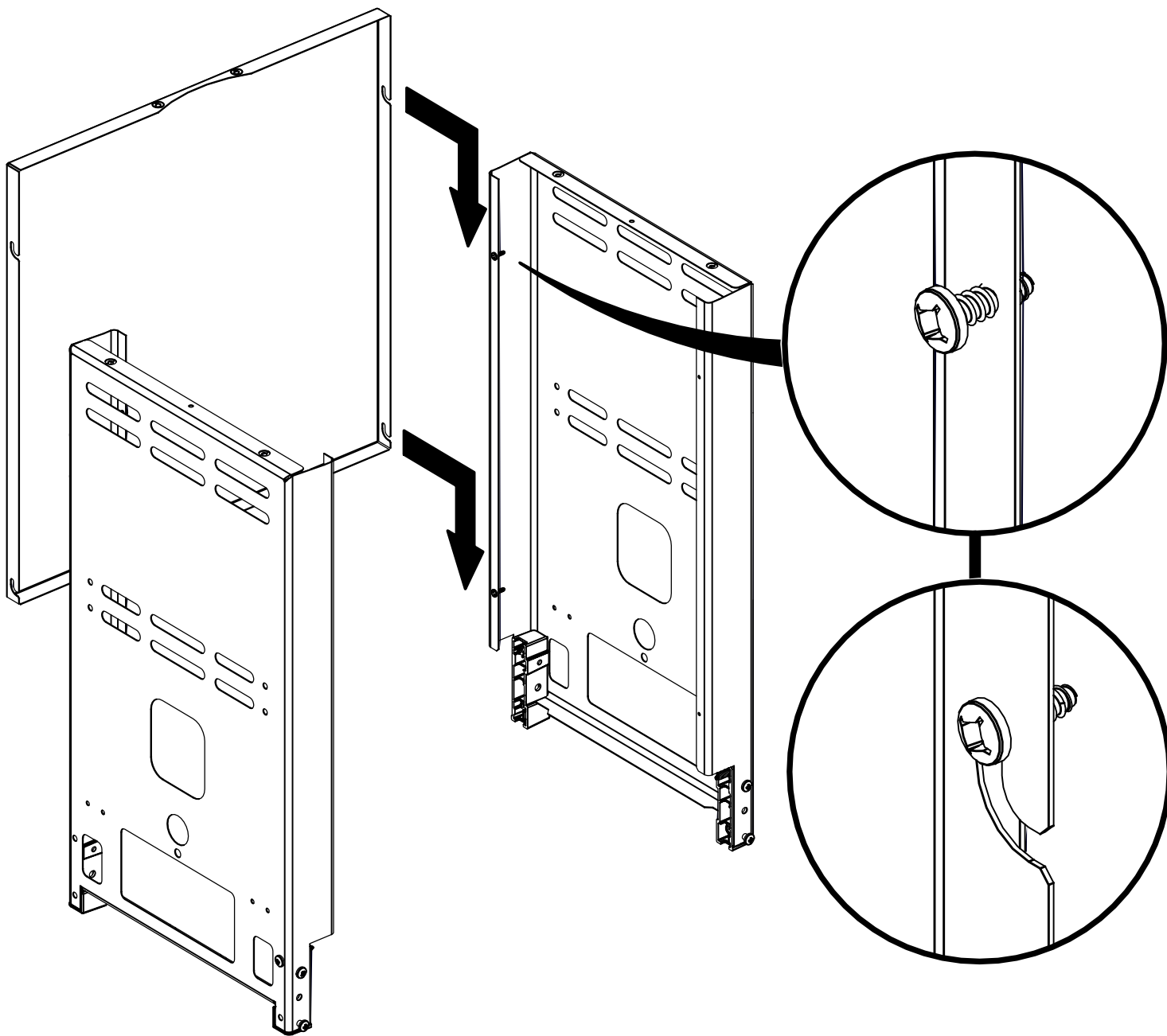


1

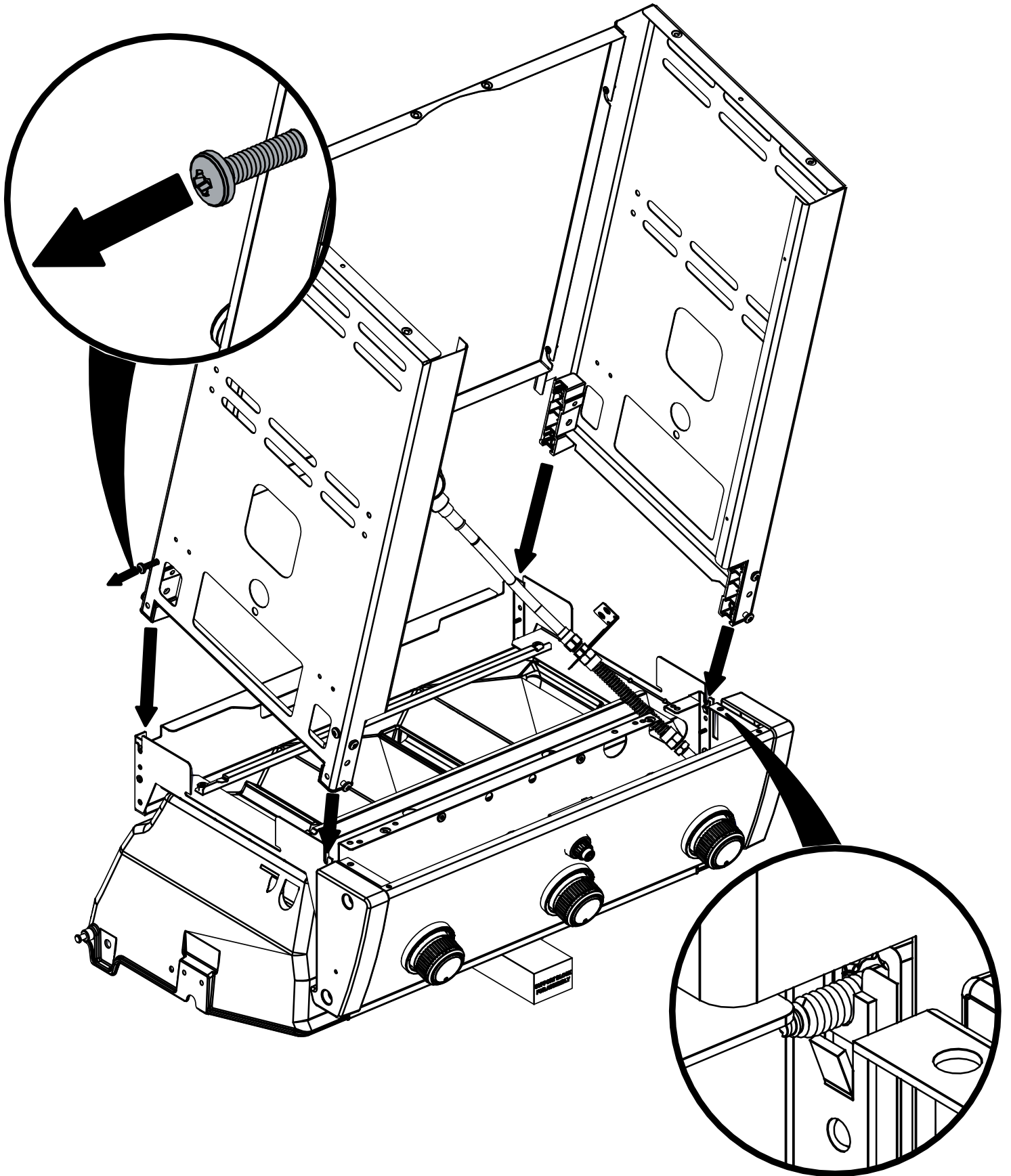
(2)



2

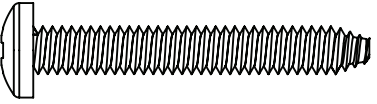


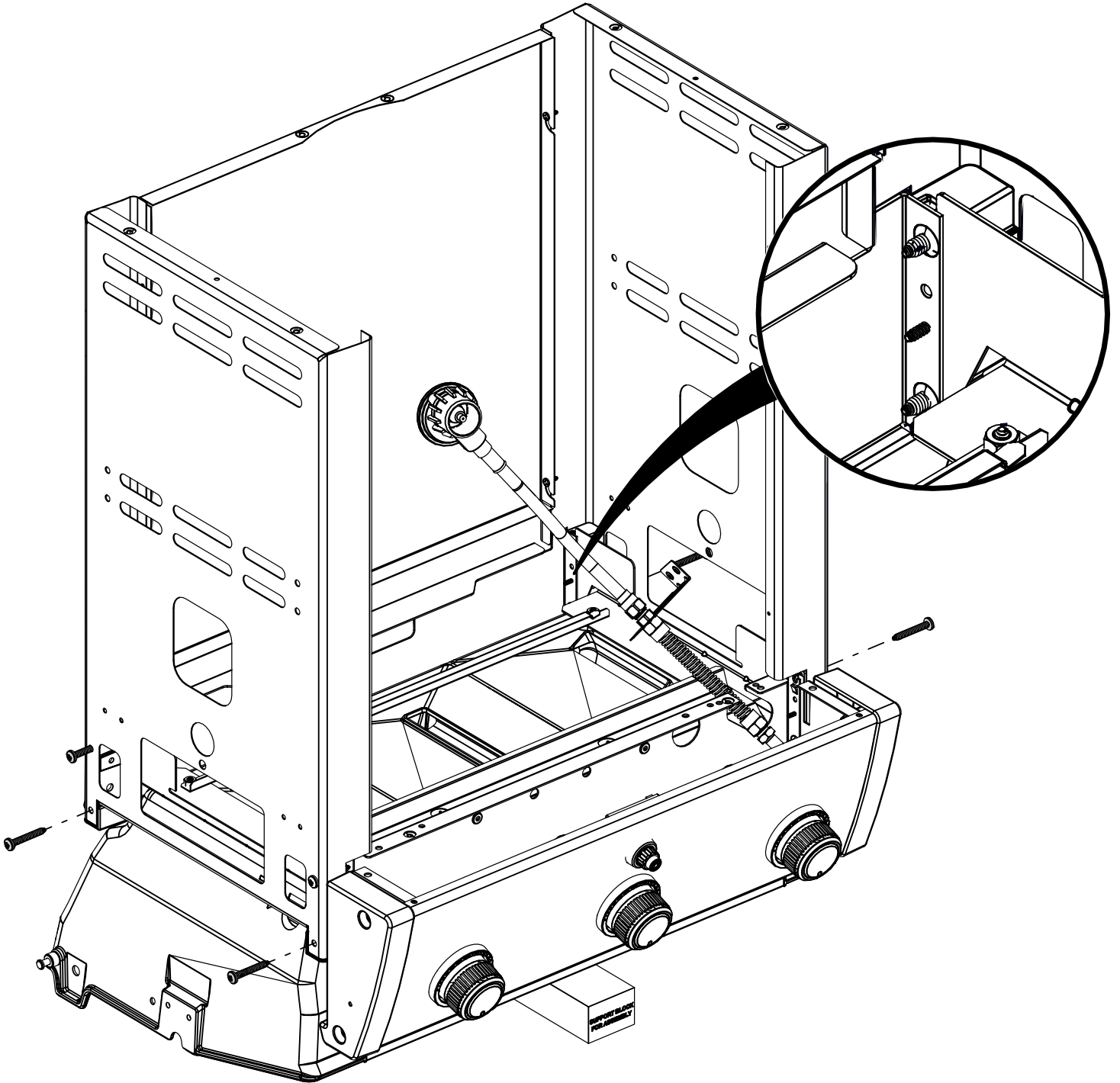
3





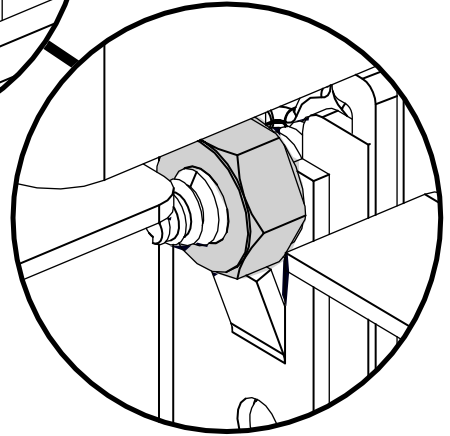
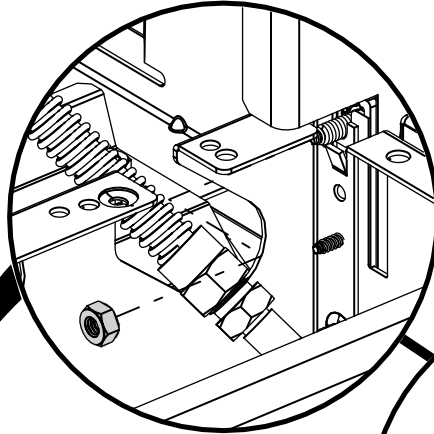
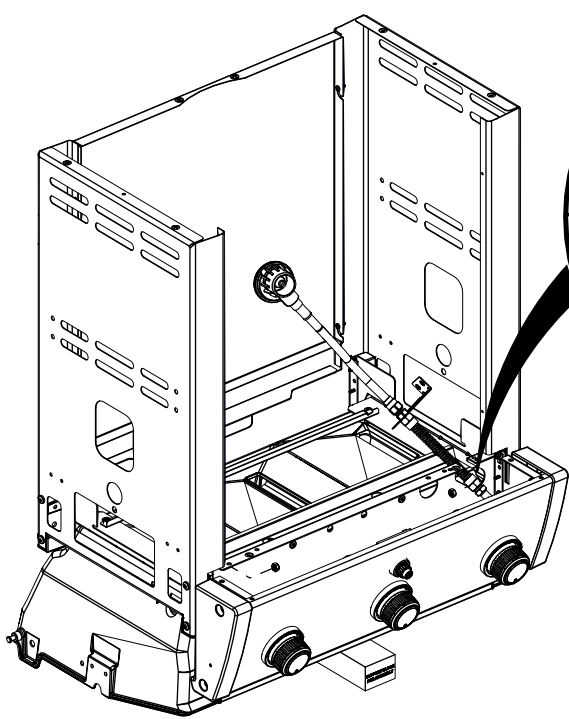
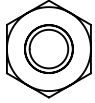
4

(4) 



# 5

(2)

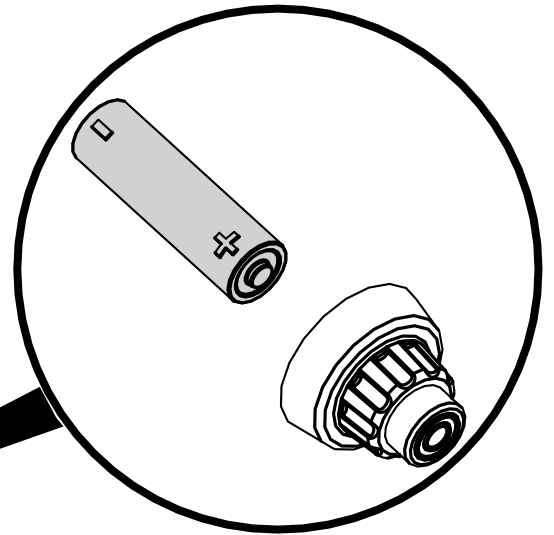
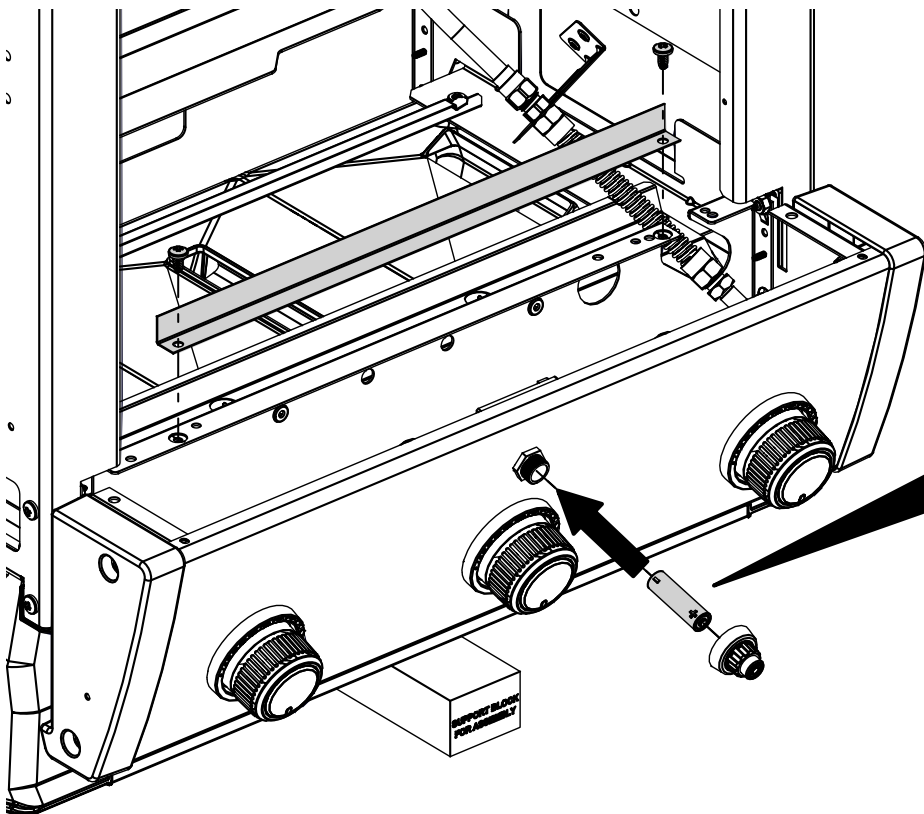
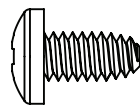


# 6

(1)



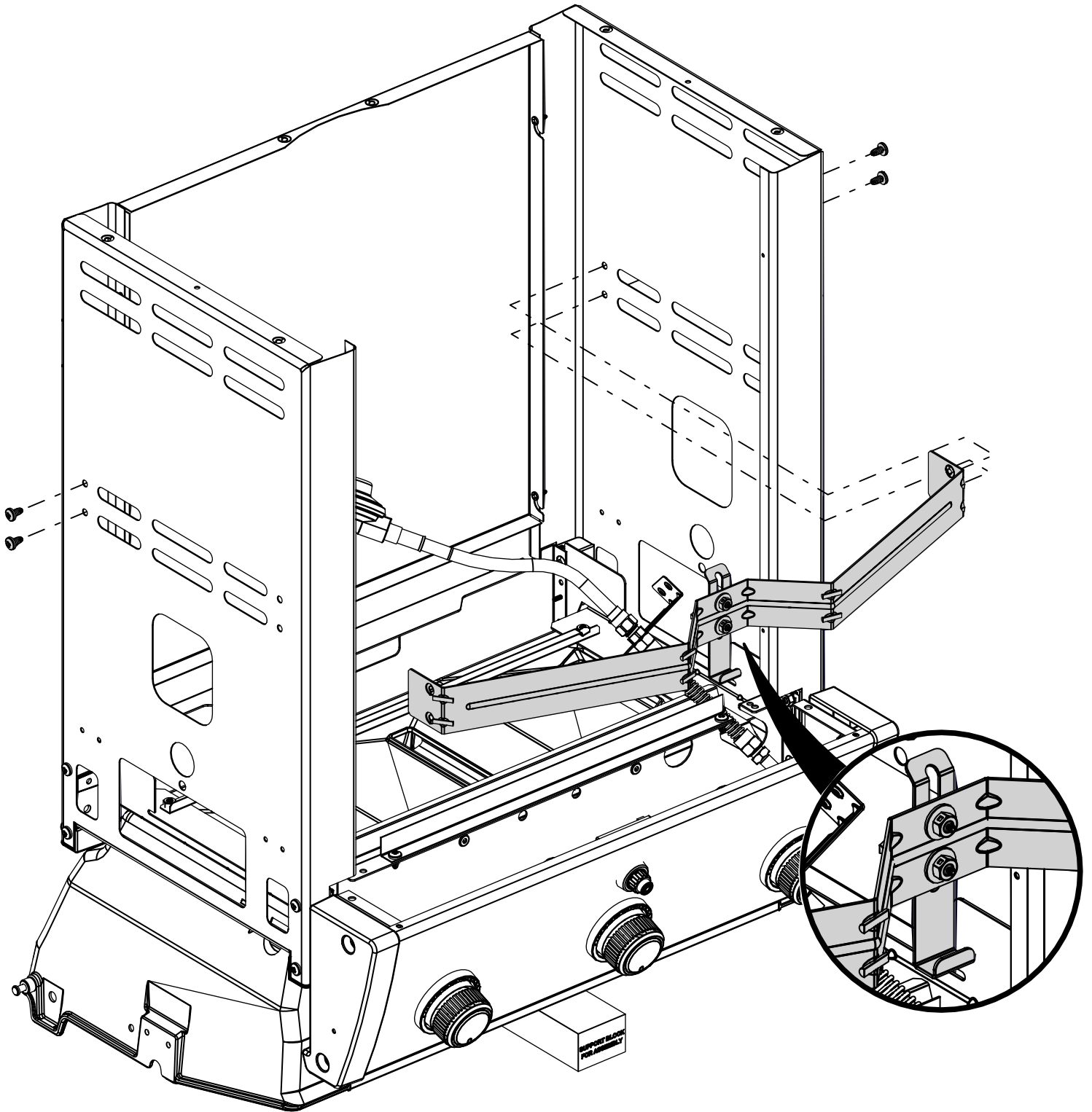
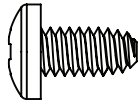
(2)



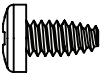
7

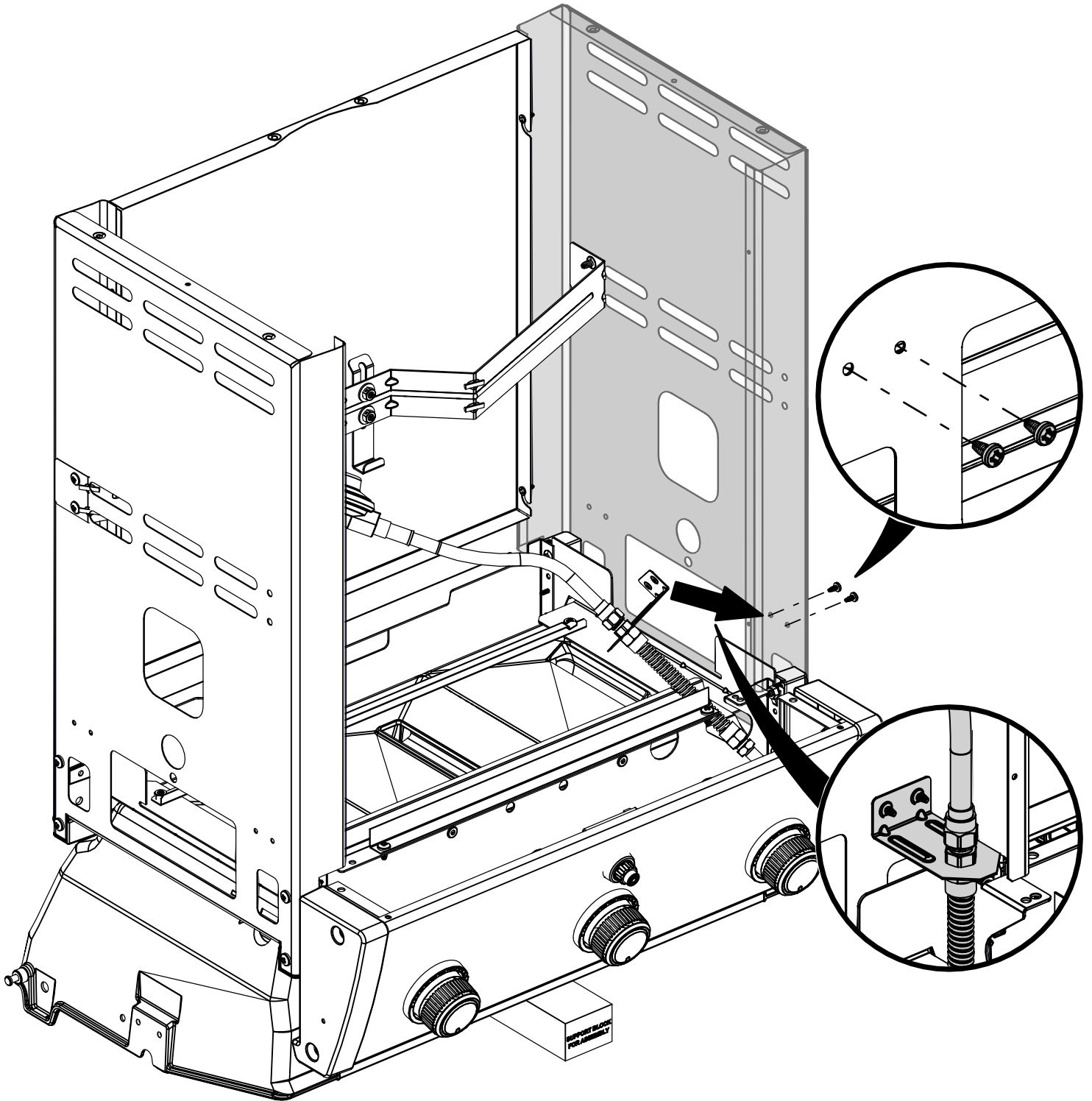
9864-54  
9868-54  
9868-54ED

(4)

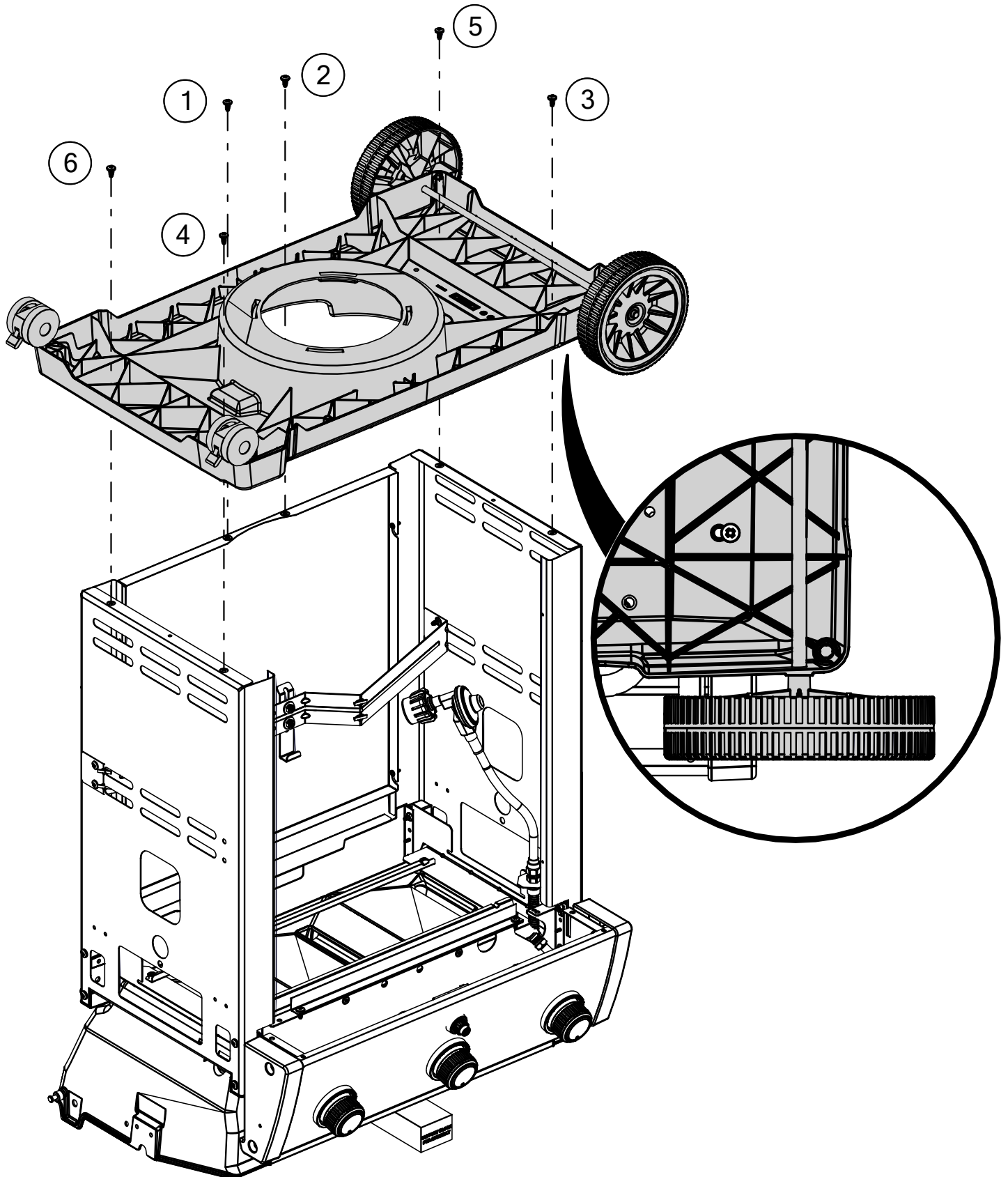
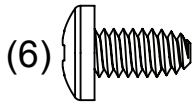


8

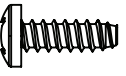
(2) 



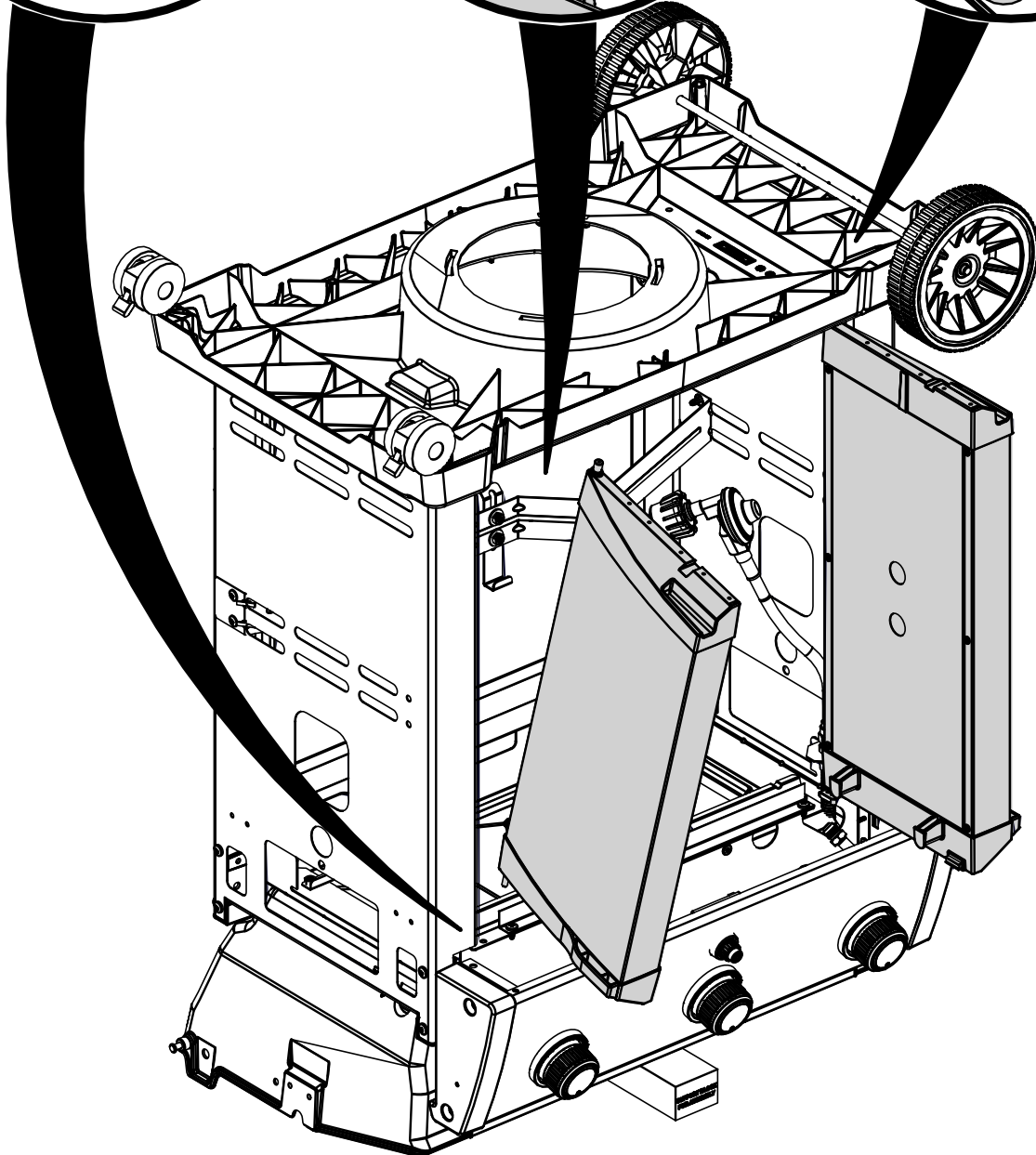
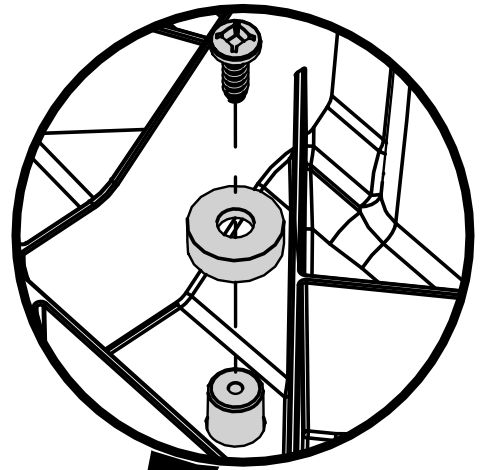
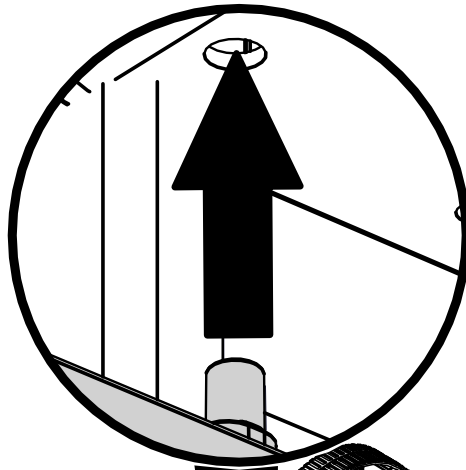
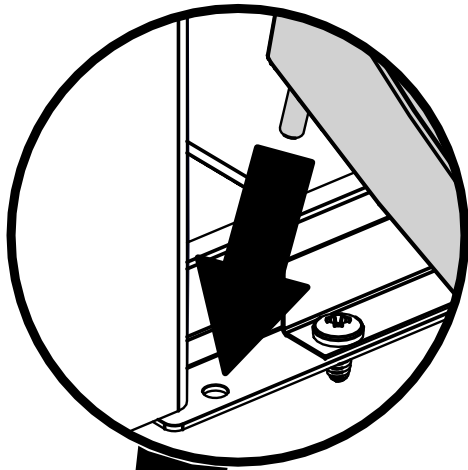
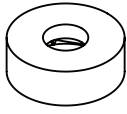
9



# 10

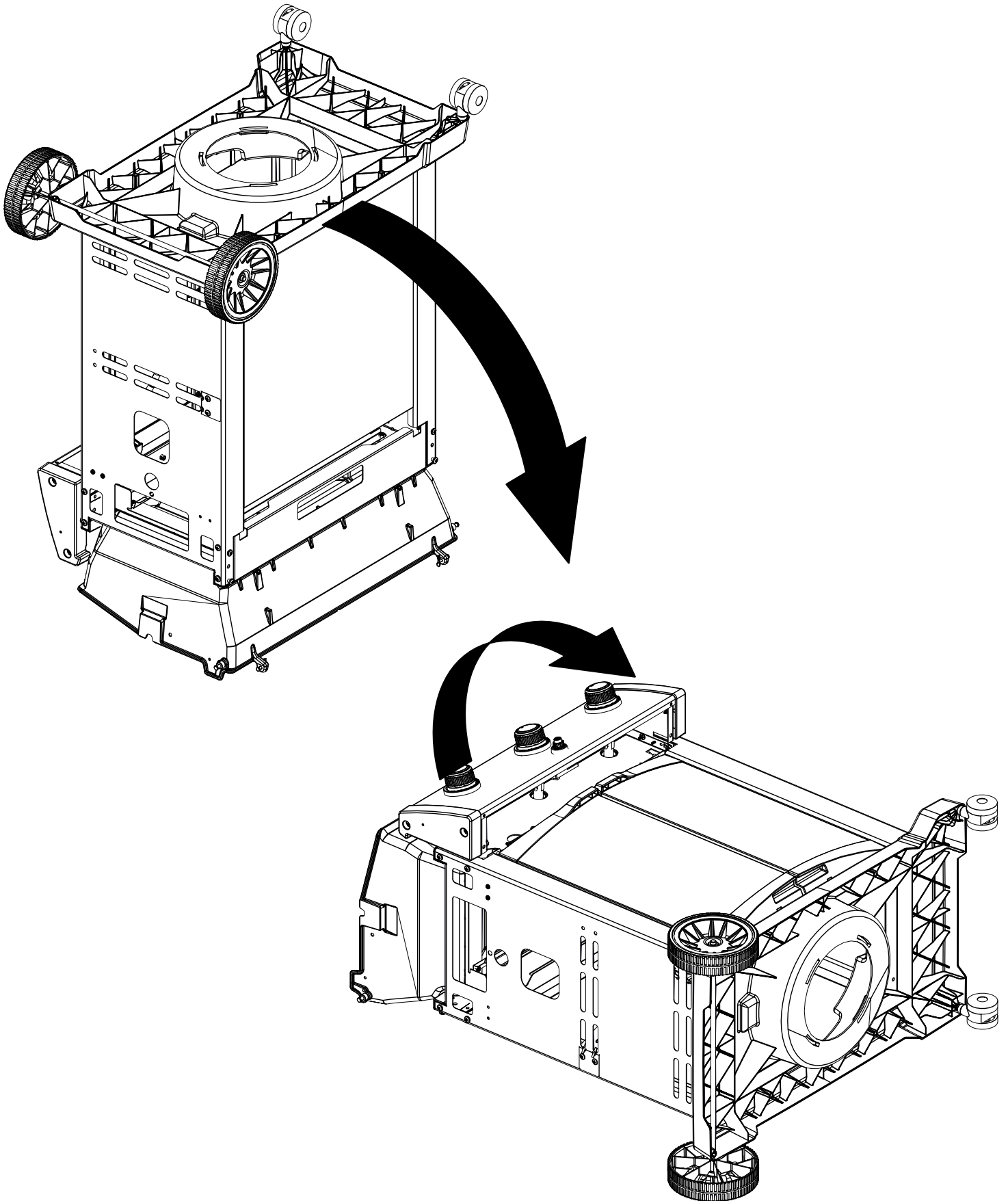
(2) 

(2)



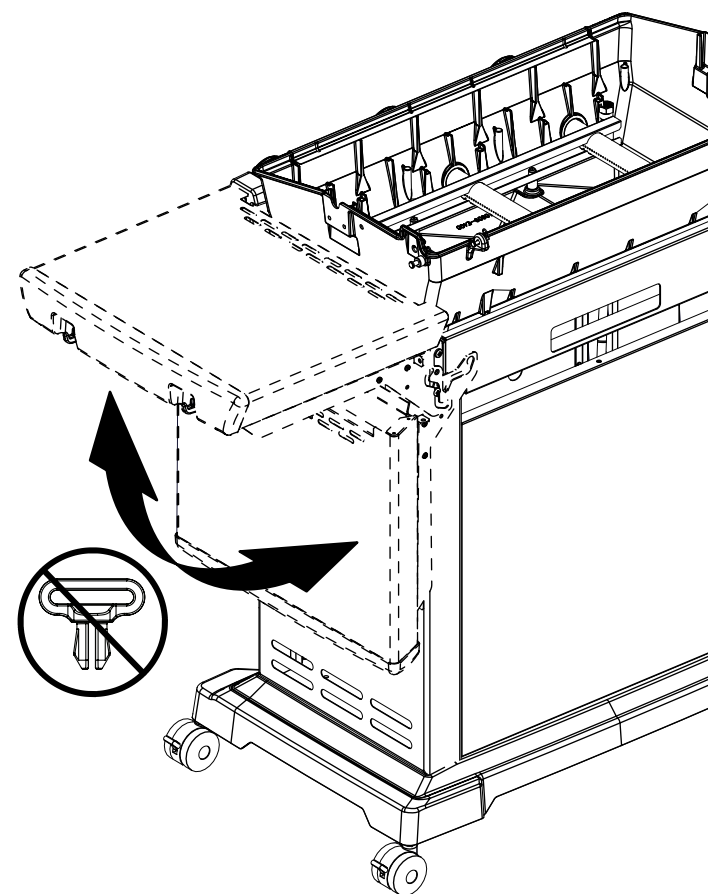
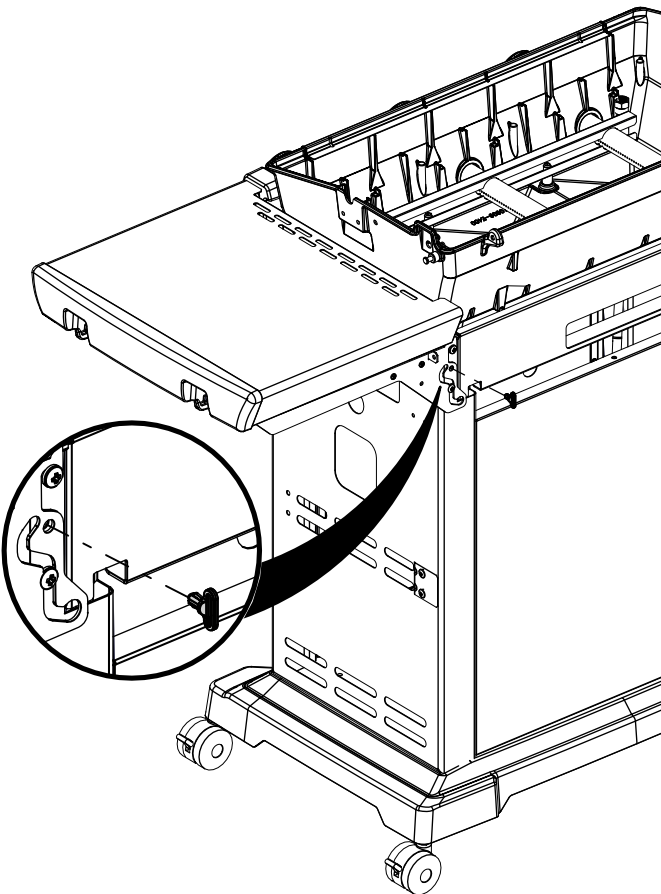
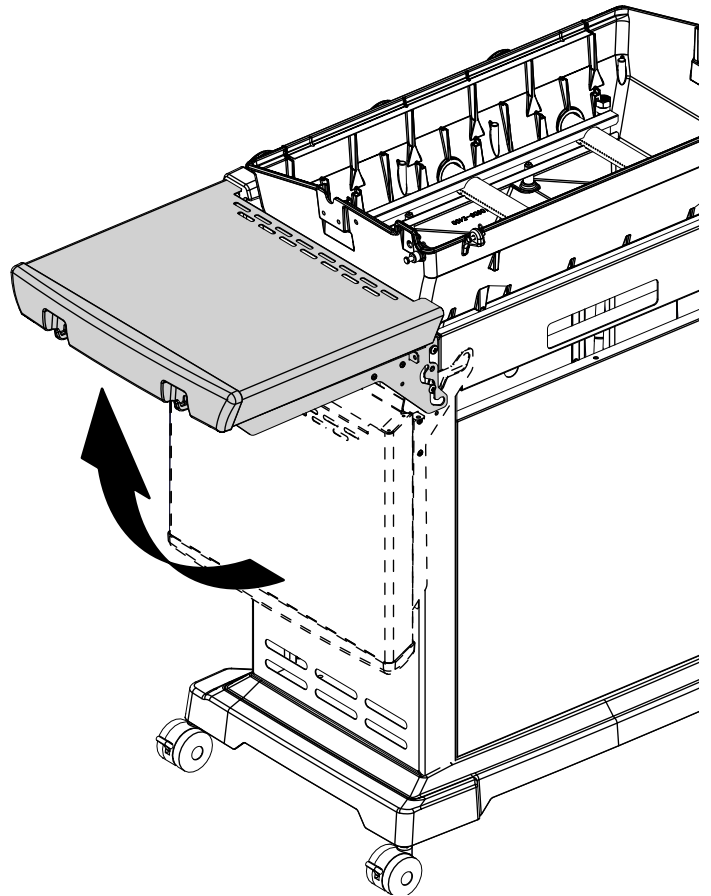
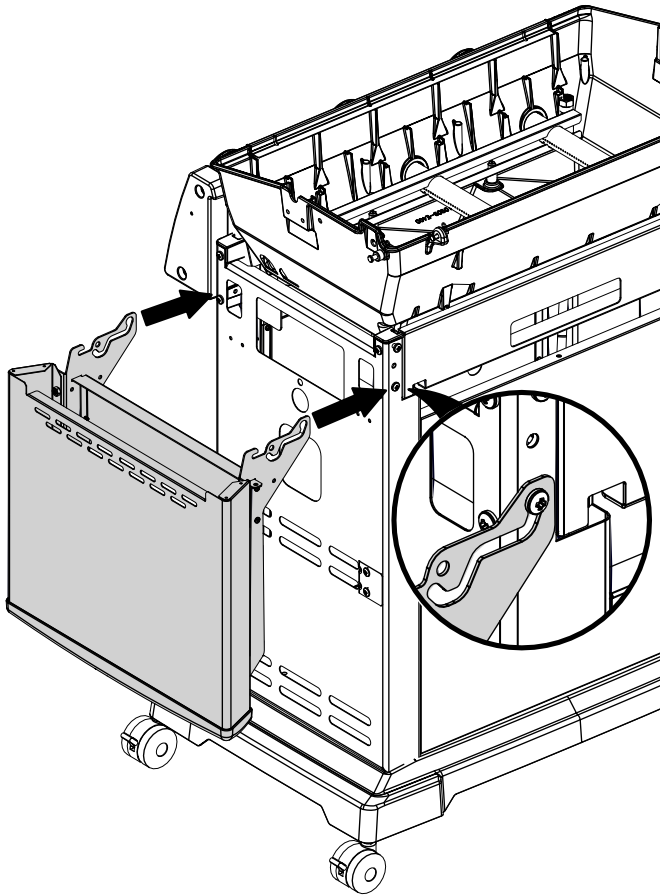
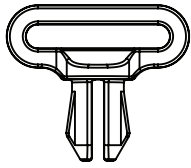


11



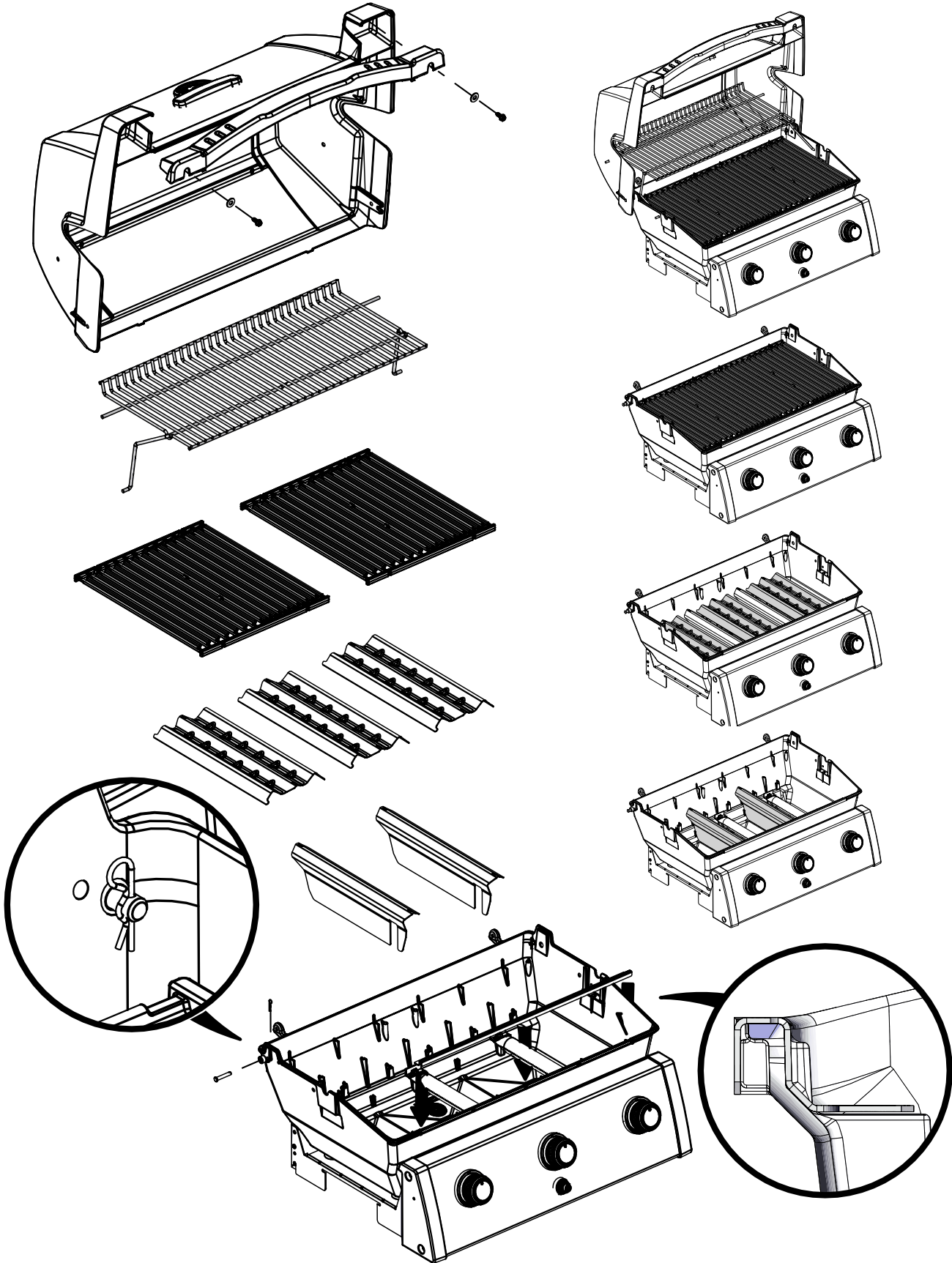
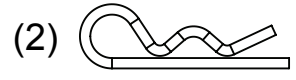
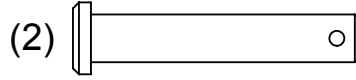
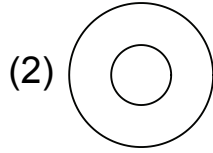
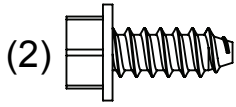
# 12

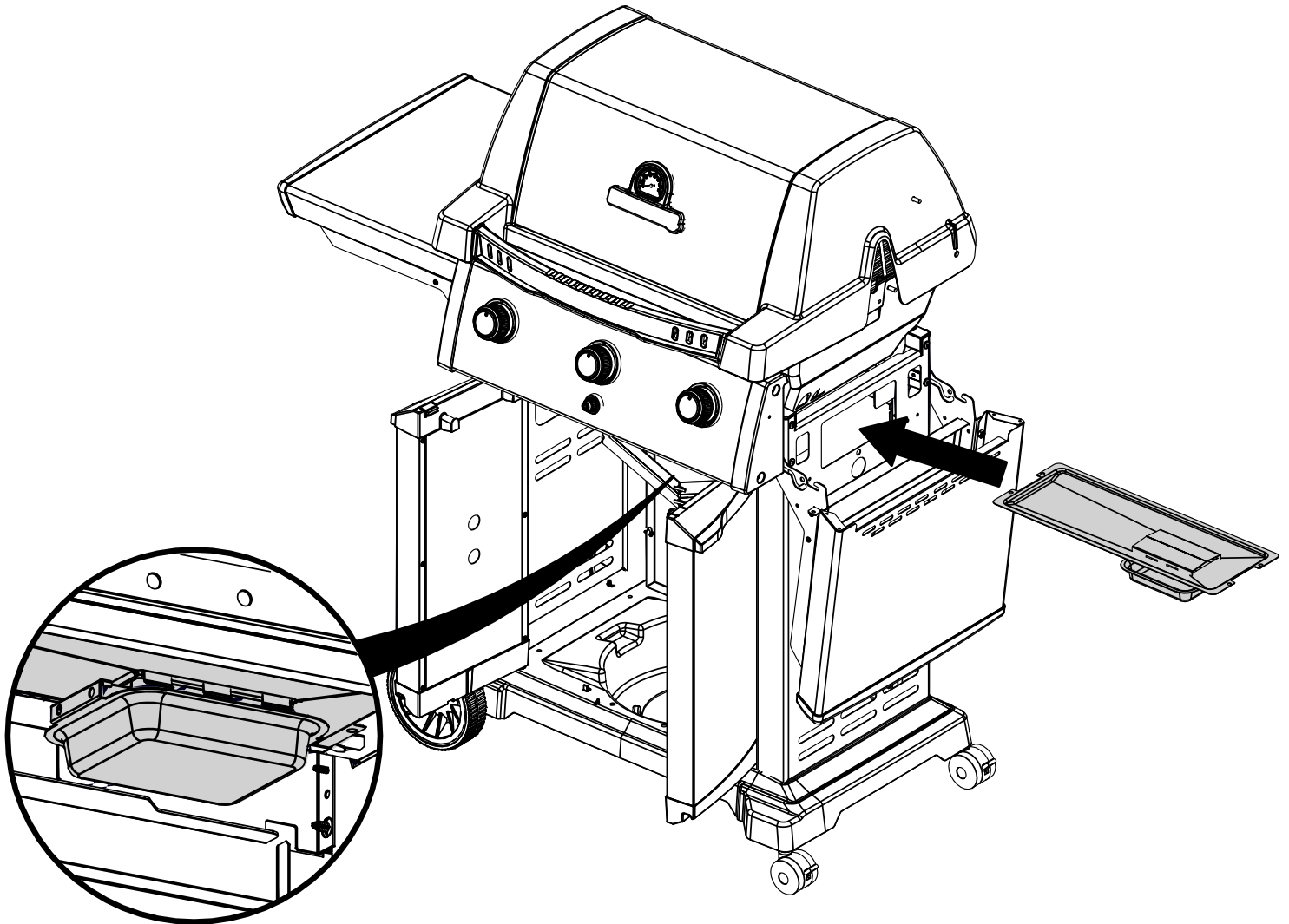
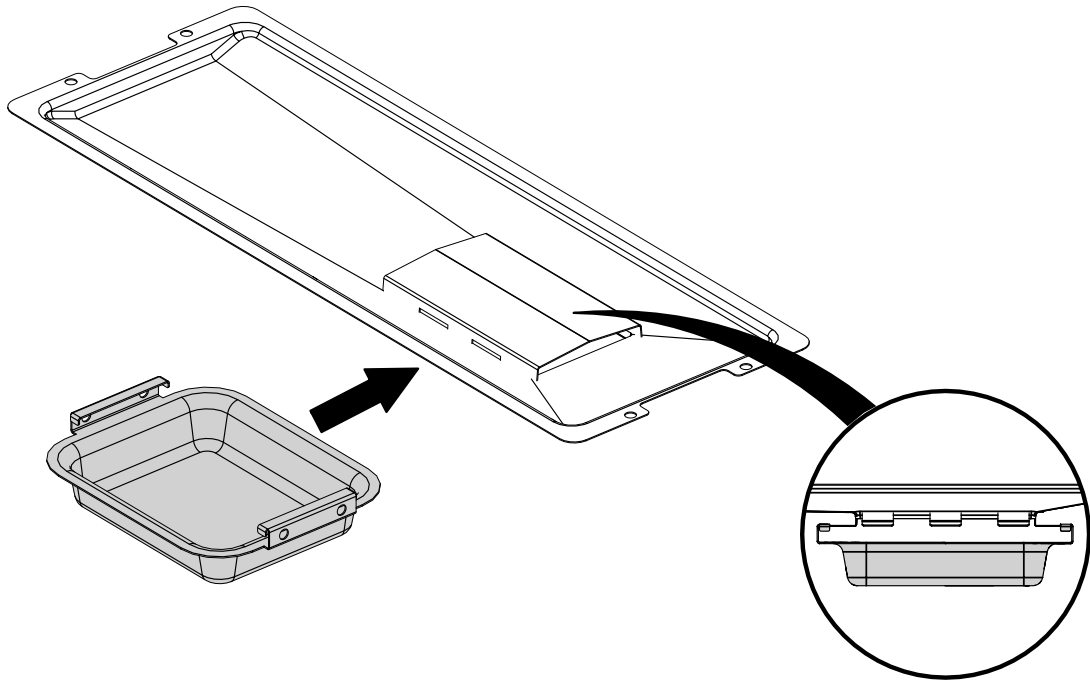
(2)





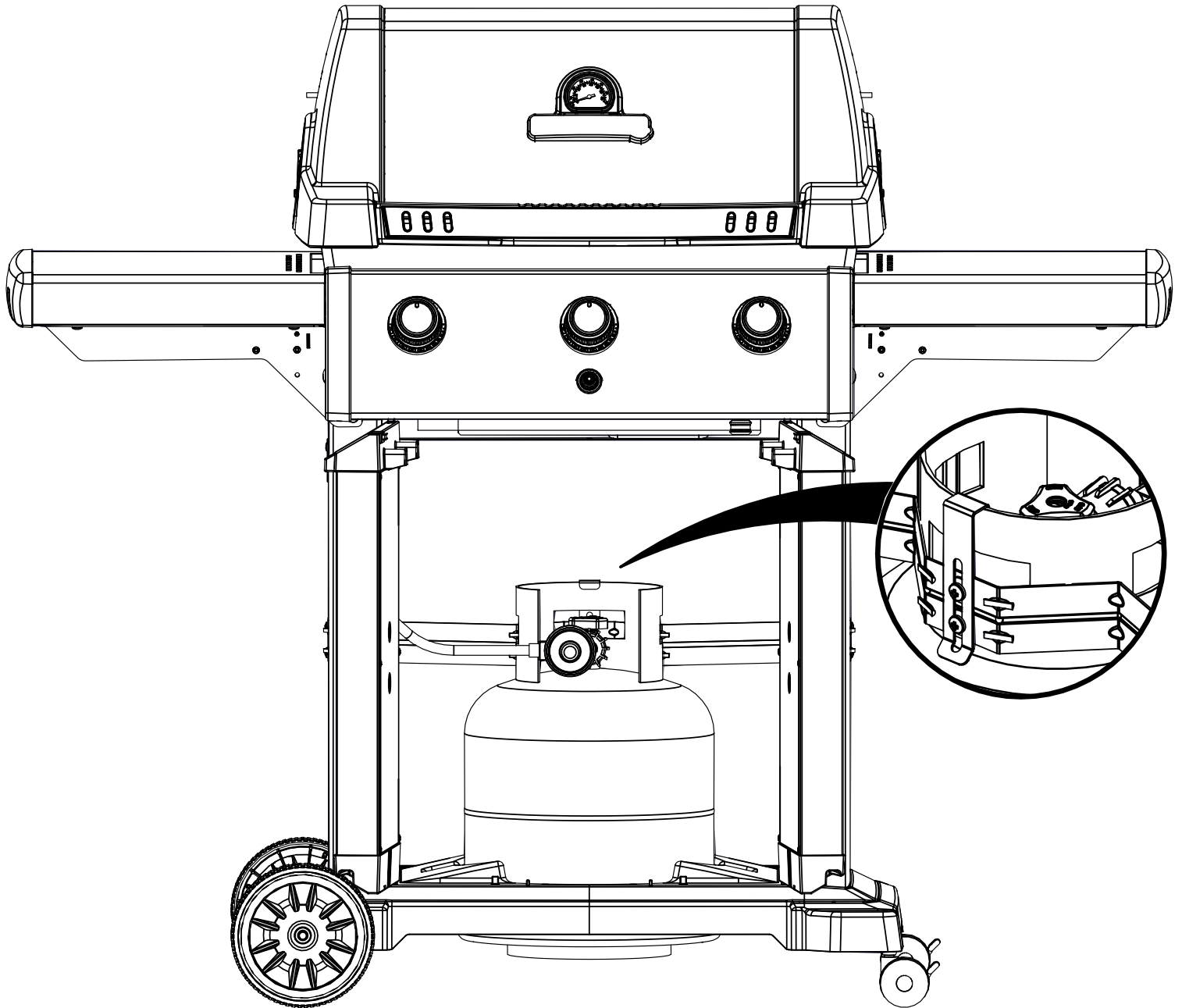
# 13





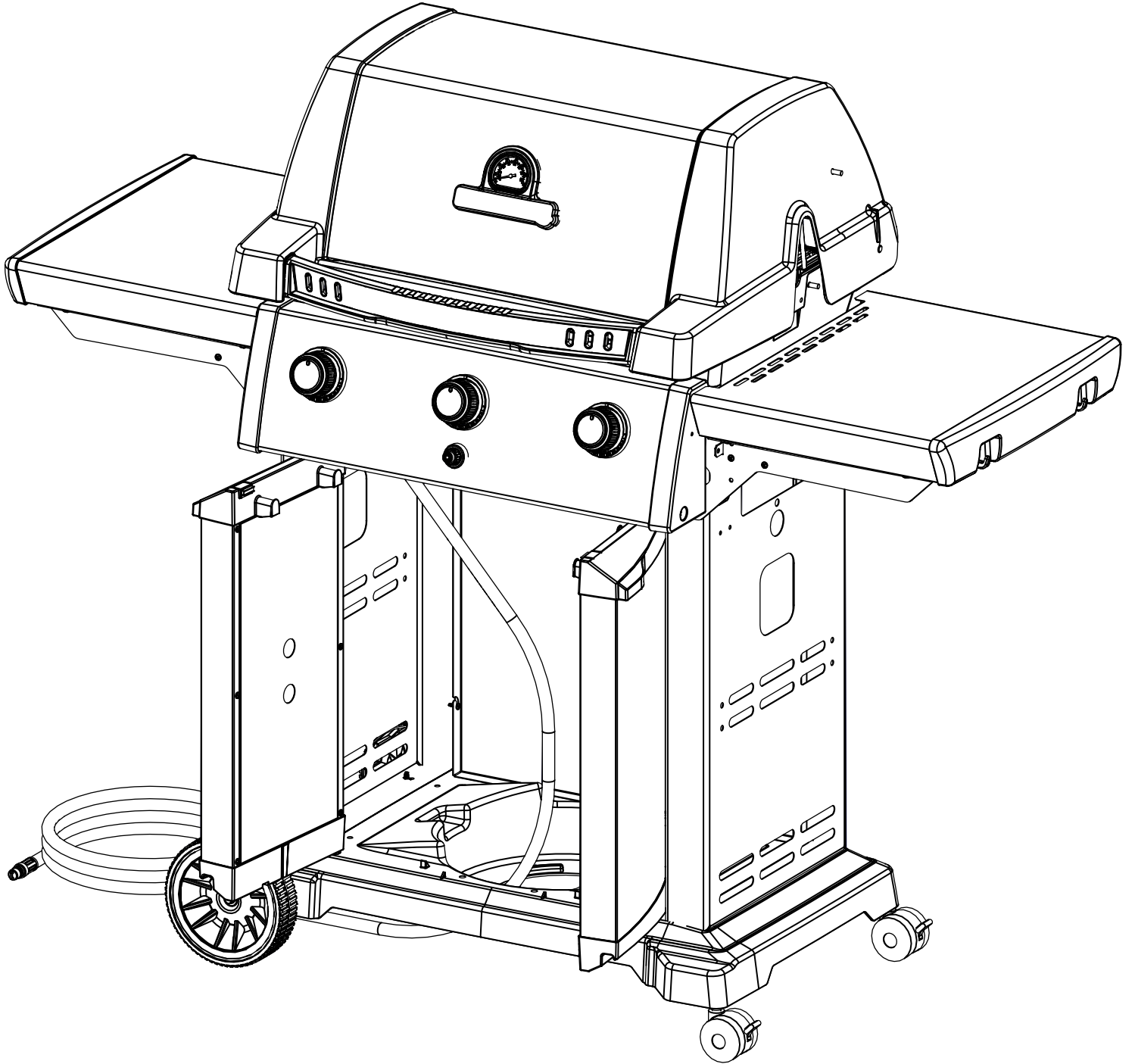
15

9864-54  
9868-54  
9868-54ED

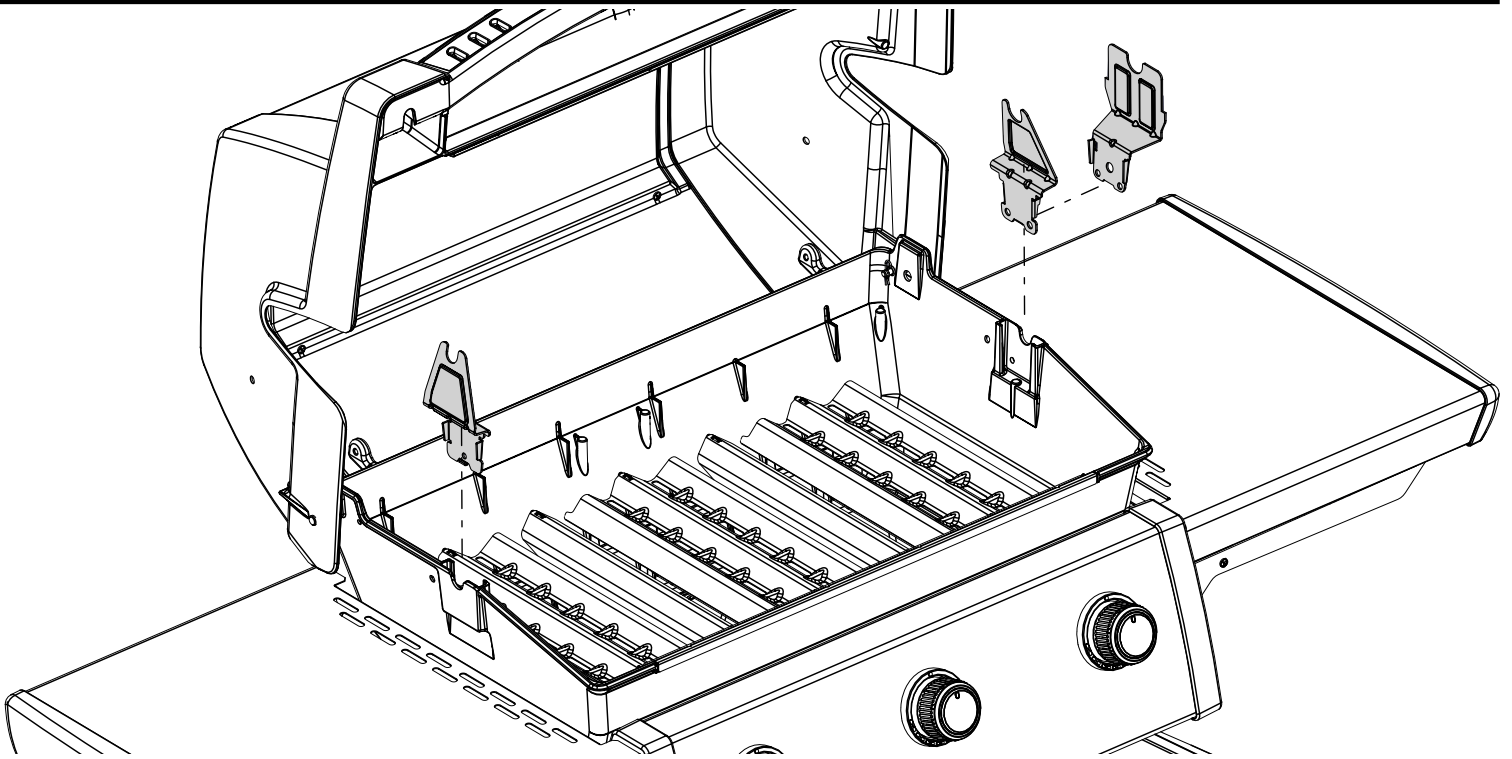


16

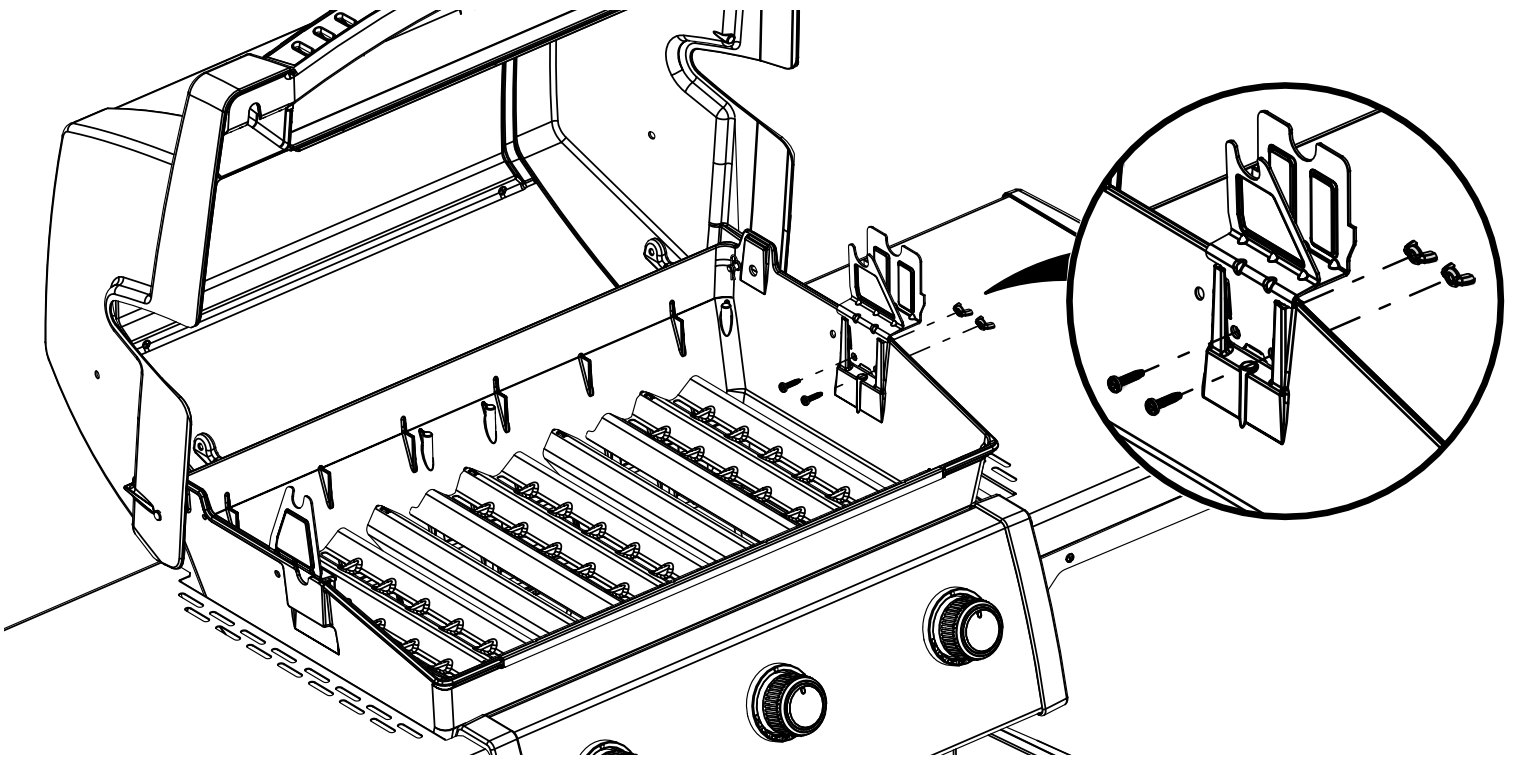
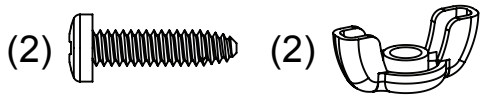
9864-57  
9868-57  
9868-57ED



# 17



# 18



**PARTS LIST / LISTE DES PIECES**

| <u>KEY #</u> | <u>ITEM #</u> | <u>DESCRIPTION</u>       | <u>DESCRIPTION</u>         | <u>9864-54</u> | <u>9864-57</u> | <u>9868-54</u> | <u>9868-57</u> | <u>9868-54ED</u> | <u>9868-57ED</u> |
|--------------|---------------|--------------------------|----------------------------|----------------|----------------|----------------|----------------|------------------|------------------|
| 1            | 10909-E401    | CASTING BOTTOM           | FOND DU FOYER              | 1              | 1              | 1              | 1              | 1                | 1                |
| 2            | 10473-E400    | CASTING TOP              | COUVERCLE DU GRIL          | 1              | 1              | 1              | 1              | 1                | 1                |
| 3            | 10081-BK630   | NAMEPLATE                | PLAQUE D'IDENTIFICATION    | 1              | 1              | 1              | 1              | 1                | 1                |
| 4            | 10958-E400A   | TOP CASTING INSERT       | PANNEAU DE COUVERCLE       | •              | •              | 1              | 1              | •                | •                |
|              | 10958-E401A   | TOP CASTING INSERT       | PANNEAU DE COUVERCLE       | 1              | 1              | •              | •              | 1                | 1                |
| 5            | 10571-6       | HEAT INDICATOR           | INDICATEUR DE CHALEUR      | 1              | 1              | 1              | 1              | 1                | 1                |
| 6            | 10240-15      | HINGE PIN                | GOUPILLE DE CHARNIÈRE      | 2              | 2              | 2              | 2              | 2                | 2                |
| 6A           | S21237        | HINGE SPACER             | ENTRETOISE DE CHARNIÈRE    | 2              | 2              | 2              | 2              | 2                | 2                |
| 7            | S21233        | HITCH PIN CLIP           | ATTACHE DE CHEVILLE        | 2              | 2              | 2              | 2              | 2                | 2                |
| 9            | 10225-T436    | GRID - PORCELAIN         | GRILLE                     | 2              | 2              | 2              | 2              | 2                | 2                |
| 10           | 10222-E400    | FLAV-R-WAVE              | FLAV-R-WAVE                | 3              | 3              | 3              | 3              | 3                | 3                |
| 11           | 10225-E401    | GRID - WARMING RACK      | GRILLE                     | 1              | 1              | 1              | 1              | 1                | 1                |
| 12           | 10222-E401    | DIVIDER                  | DIVISEUR                   | 2              | 2              | 2              | 2              | 2                | 2                |
| 13           | 10184-R83     | BOSS EXTENSION           | CROCHET DE RALLONGEMENT    | 1              | 1              | 1              | 1              | 1                | 1                |
| 15           | 10390-E20LP   | BURNER                   | BRÛLEUR                    | 1              | •              | 1              | •              | 1                | •                |
|              | 10390-E20NG   | BURNER                   | BRÛLEUR                    | •              | 1              | •              | 1              | •                | 1                |
| 17           | 10342-245     | ELECTRONIC IGNITOR       | ALLUMEUR ÉLECTRONIQUE      | 1              | 1              | 1              | 1              | 1                | 1                |
| 18           | 10342-E12     | ELECTRODE                | ELECTRODE                  | 2              | 2              | 2              | 2              | 2                | 2                |
| 19           | 10342-E400A   | COLLECTOR BOX            | BOÎTE DE COLLECTEUR        | 1              | 1              | 1              | 1              | 1                | 1                |
| 20           | 10111-16A     | HOSE                     | TUYAU                      | 1              | 1              | 1              | 1              | 1                | 1                |
| 21           | 10444-E30     | CONTROL ASSEMBLY LP      | ASSEMBLÉE DE CONTROLE PL   | 1              | •              | 1              | •              | 1                | •                |
|              | 10444-E31     | CONTROL ASSEMBLY NG      | ASSEMBLÉE DE CONTROLE GN   | •              | 1              | •              | 1              | •                | 1                |
| 22           | 10114-16      | HOSE & REGULATOR LP      | TUYAU ET REGULATEUR PL     | 1              | •              | 1              | •              | 1                | •                |
|              | 10111-K45     | HOSE NATURAL GAS         | TUYAU (GAZ NATUREL)        | •              | 1              | •              | 1              | •                | 1                |
| 23           | 22001-768     | CONTROL KNOB             | BOUTON DE CONTROLE         | 3              | 3              | 3              | 3              | 3                | 3                |
| 23A          | 10472-E38     | CONTROL BEZEL            | MONTURE DE CONTROLE        | 3              | 3              | 3              | 3              | 3                | 3                |
| 30           | 10194-E433    | CONTROL COVER            | PANNEAU DE CONTROLE        | •              | •              | 1              | 1              | 1                | 1                |
|              | 10194-E736W   | CONTROL COVER            | PANNEAU DE CONTROLE        | 1              | 1              | •              | •              | •                | •                |
| 31           | 10711-E34     | EDGE CAP - CONTROL COVER | PAC DE BORD                | 1              | 1              | 1              | 1              | 1                | 1                |
| 32           | 10711-E33     | EDGE CAP - CONTROL COVER | PAC DE BORD                | 1              | 1              | 1              | 1              | 1                | 1                |
| 33           | 10184-F96     | RADIATION SHIELD         | ÉCRAN DE CHALEUR           | 1              | 1              | 1              | 1              | 1                | 1                |
| 34           | 10184-F97     | GREASE RAIL              | GUIDE DU BAC A GRAISSE     | 1              | 1              | 1              | 1              | 1                | 1                |
| 35           | 10184-E501    | SUPPORT-CASTING-LEFT     | SUPPORT GAUCHE DU FOYER    | 1              | 1              | 1              | 1              | 1                | 1                |
| 36           | 10184-E511    | SUPPORT-CASTING-RIGHT    | SUPPORT DROIT DU FOYER     | 1              | 1              | 1              | 1              | 1                | 1                |
| 37           | 10184-E651    | SUPPORT - SHELF-LEFT     | SUPPORT TABLETTE DE GAUCHE | 2              | 2              | 2              | 2              | 2                | 2                |

**PARTS LIST / LISTE DES PIECES**

| <u>KEY #</u> | <u>ITEM #</u> | <u>DESCRIPTION</u>        | <u>DESCRIPTION</u>         | <u>9864-54</u> | <u>9864-57</u> | <u>9868-54</u> | <u>9868-57</u> | <u>9864-54</u> | <u>9864-57</u> | <u>9868-54</u> | <u>9868-57</u> | <u>9864-54</u> | <u>9864-57</u> |
|--------------|---------------|---------------------------|----------------------------|----------------|----------------|----------------|----------------|----------------|----------------|----------------|----------------|----------------|----------------|
| 37A          | 10184-E63     | SUPPORT - SHELF-LEFT      | SUPPORT TABLETTE DE GAUCHE | 2              | 2              | 2              | 2              | 2              | 2              | 2              | 2              | 2              | 2              |
| 38           | 10184-E641    | SUPPORT - SHELF-RIGHT     | SUPPORT TABLETTE DE DROIT  | 2              | 2              | 2              | 2              | 2              | 2              | 2              | 2              | 2              | 2              |
| 38A          | 10184-E62     | SUPPORT - SHELF-RIGHT     | SUPPORT TABLETTE DE DROIT  | 2              | 2              | 2              | 2              | 2              | 2              | 2              | 2              | 2              | 2              |
| 39           | 10956-E881    | BRACE-REAR                | SUPPORT ARRIERE            | 1              | 1              | 1              | 1              | 1              | 1              | 1              | 1              | 1              | 1              |
| 40           | 10958-E81     | BASE                      | TABLETTE INFERIEURE        | 1              | 1              | 1              | 1              | 1              | 1              | 1              | 1              | 1              | 1              |
| 41           | 10956-E591    | BRACE-FRONT               | SUPPORT AVANT              | 1              | 1              | 1              | 1              | 1              | 1              | 1              | 1              | 1              | 1              |
| 42           | 10958-E79     | DOOR                      | PORTE                      | •              | •              | 2              | 2              | •              | •              | 2              | 2              | •              | •              |
|              | 10958-E781    | DOOR                      | PORTE                      | 2              | 2              | •              | •              | •              | •              | 2              | 2              | •              | 2              |
| 42A          | 10958-E851    | DOOR - INNER              | PORTE INTÉRIEURE           | 2              | 2              | 2              | 2              | 2              | 2              | 2              | 2              | 2              | 2              |
| 43           | 10958-E761    | SIDE PANEL BLK            | PANNEAU LATERALE           | 2              | 2              | 2              | 2              | 2              | 2              | 2              | 2              | 2              | 2              |
| 44           | 10958-E901    | PANEL - REAR              | PANNEAU - ARRIÈRE          | 1              | 1              | 1              | 1              | 1              | 1              | 1              | 1              | 1              | 1              |
| 45           | 10184-E931    | BRACKET - DOOR CATCH      | CROCHET DE PORTE           | 1              | 1              | 1              | 1              | 1              | 1              | 1              | 1              | 1              | 1              |
| 48           | 10184-E691    | SHELF BRACKET             | SUPPORT POUR TABLETTE      | 2              | 2              | 2              | 2              | 2              | 2              | 2              | 2              | 2              | 2              |
| 50           | 10711-E92     | SHELF                     | PLANCHETTE LATERALE        | •              | •              | 2              | 2              | •              | •              | 2              | 2              | •              | •              |
|              | 10711-E821    | SHELF                     | PLANCHETTE LATERALE        | 2              | 2              | •              | •              | •              | •              | •              | •              | •              | •              |
| 52           | 10184-E78A    | DOOR - TOP CAP - LEFT     | PORTE - DESSUS - GAUCHE    | 1              | 1              | 1              | 1              | 1              | 1              | 1              | 1              | 1              | 1              |
| 53           | 10184-E76     | DOOR - BOTTOM CAP - LEFT  | PORTE - DESSOUS - GAUCHE   | 1              | 1              | 1              | 1              | 1              | 1              | 1              | 1              | 1              | 1              |
| 54           | 10184-E79A    | DOOR - TOP CAP - RIGHT    | PORTE - DESSUS - DROIT     | 1              | 1              | 1              | 1              | 1              | 1              | 1              | 1              | 1              | 1              |
| 55           | 10184-E77     | DOOR - BOTTOM CAP - RIGHT | PORTE - DESSOUS - DROIT    | 1              | 1              | 1              | 1              | 1              | 1              | 1              | 1              | 1              | 1              |
| 56           | 10892-7G      | WHEEL                     | ROUE                       | 2              | 2              | 2              | 2              | 2              | 2              | 2              | 2              | 2              | 2              |
| 60           | 10711-E49     | END CAP - SHELF           | MONTURE D'EMBOUT           | 2              | 2              | 2              | 2              | 2              | 2              | 2              | 2              | 2              | 2              |
| 72           | S21420        | PUSH NUT                  | POUSSE ECROU               | 2              | 2              | 2              | 2              | 2              | 2              | 2              | 2              | 2              | 2              |
| 74           | S21084        | SCREW - #14 x 3/4         | VIS - #14 x 3/4            | 5              | 5              | 5              | 5              | 5              | 5              | 5              | 5              | 5              | 5              |
| 75           | 10184-E702A   | HANDLE                    | POIGNÉE                    | •              | •              | •              | •              | •              | •              | •              | •              | •              | •              |
|              | 10184-E702C   | HANDLE                    | POIGNÉE                    | 1              | 1              | •              | •              | •              | •              | •              | •              | •              | •              |
|              | 10184-E705A   | HANDLE                    | POIGNÉE                    | •              | •              | •              | •              | •              | •              | •              | •              | •              | •              |
| 76           | S21255        | WASHER                    | RONDELLE                   | 6              | 2              | 6              | 6              | •              | •              | 6              | 6              | •              | •              |
| 78           | 10892-15      | CASTOR                    | ROULETTES                  | 2              | 2              | 2              | 2              | •              | •              | 2              | 2              | •              | •              |
| 79           | Y-11561       | BOLT - 1/4-20 x 1 3/4     | BOULON - 1/4-20 X 1 3/4    | 8              | 8              | 8              | 8              | •              | •              | 8              | 8              | •              | •              |
| 80           | Y-11546       | SCREW- 1/4-20 X 5/8       | VIS - 1/4-20 X 5/8         | 10             | 8              | 10             | 10             | •              | •              | 10             | 10             | •              | •              |
| 81           | Y-12860       | SCREW - 1/4-20 X 1 3/8    | VIS - 1/4-20 X 1 3/8       | 8              | 8              | 8              | 8              | •              | •              | 8              | 8              | •              | •              |
| 82           | Y-12673       | SHELF - LOCK PIN          | GOUILLE DE SERRURE         | 2              | 2              | 2              | 2              | •              | •              | 2              | 2              | •              | •              |
| 83           | Y-12855       | SCREW 1/4-20 X 3/8        | VIS 1/4-20 X 3/8           | 8              | 8              | 8              | 8              | •              | •              | 8              | 8              | •              | •              |
| 84           | S15170        | AXLE                      | ESSIEU                     | 1              | 1              | 1              | 1              | •              | •              | 1              | 1              | •              | •              |
| 85           | Y-12865       | SCREW- 1/4-20 X 1/2       | VIS - 1/4-20 X 1/2         | 12             | 8              | 12             | 12             | •              | •              | 12             | 12             | •              | •              |

**PARTS LIST / LISTE DES PIECES**

| <u>KEY #</u> | <u>ITEM #</u> | <u>DESCRIPTION</u>   | <u>DESCRIPTION</u>        | <u>DESCRIPTION</u>            | <u>9864-54</u> | <u>9864-57</u> | <u>9868-54</u> | <u>9868-57</u> | <u>9864-54</u> | <u>9864-57</u> | <u>9864-57</u> |
|--------------|---------------|----------------------|---------------------------|-------------------------------|----------------|----------------|----------------|----------------|----------------|----------------|----------------|
| 86           | Y-11545       | SCREW 1/4-20 X 1 3/8 | VIS 1/4-20 X 1 3/8        | TORNILLO 1/4-20 X 1 3/8       | 4              | 4              | 4              | •              | 4              | 4              | 4              |
| 87           | Y-11793       | NUT- 1/4-20          | ECROU - 1/4-20            | TUERCA - 1/4-20               | 14             | 14             | 14             | 14             | 14             | 14             | 14             |
| 96           | S21125        | SCREW - 8 X 1/2      | VIS - 8 X 1/2             | TORNILLO - 8 X 1/2            | 16             | 16             | 16             | 16             | 16             | 16             | 16             |
| 98           | S21124        | SCREW - 8 X 1/2      | VIS - 8 X 1/2             | TORNILLO - 8 X 1/2            | 35             | 35             | 35             | 35             | 35             | 35             | 35             |
| 98A          | Y-12643       | SCREW - 8 X 1/2      | VIS - 8 X 1/2             | TORNILLO - 8 X 1/2            | 12             | 12             | 12             | 12             | 12             | 12             | 12             |
| 115          | Y-29304       | SCREW 10-24 X 3/8    | VIS 10-24 X 3/8           | TORNILLO 10-24 X 3/8          | 2              | 2              | 2              | 2              | 2              | 2              | 2              |
| 122          | 57054-902     | GREASE TRAY          | PLATEAU A GRAISSE         | BANDEJA DE GRASA              | 1              | 1              | 1              | 1              | 1              | 1              | 1              |
| 123          | 52009-902     | GREASE PAN           | CUVETTE A GRAISSE         | BANDEJA PARA LA GRASA         | 1              | 1              | 1              | 1              | 1              | 1              | 1              |
| 124          | 52049-91      | SHIELD - GREASE TRAY | ÉCRAN - PLATEAU A GRAISSE | PROTECCIÓN - BANDEJA DE GRASA | 1              | 1              | 1              | 1              | 1              | 1              | 1              |
| 135          | Y-12119       | 3/8 HEYCO BUSHING    | DOUILLE DE 3/8 HEYCO      | COJINETE HEYCO DE 3/8         | 2              | 2              | 2              | 2              | 2              | 2              | 2              |
| 136          | 10184-E43     | ROTISSERIE SHIELD    | BOUCLIER DE ROTISSERIE    | CUBIERTA DEL ROSTIZADOR       | 1              | 1              | 1              | 1              | 1              | 1              | 1              |
| 137          | 10184-E42     | ROTISSERIE BRACKET   | CROCHET DE ROTISSERIE     | SOPORTE DEL ROSTIZADOR        | 1              | 1              | 1              | 1              | 1              | 1              | 1              |
| 138          | 10184-E44     | ROTISSERIE SHIELD    | BOUCLIER DE ROTISSERIE    | CUBIERTA DEL ROSTIZADOR       | 1              | 1              | 1              | 1              | 1              | 1              | 1              |
| 139          | S21061        | WING NUT             | ECROU PAILLON             | TUERCA MARIPOSA               | 2              | 2              | 2              | 2              | 2              | 2              | 2              |
| 140          | Y-29306       | BOLT - 10-24 x 3/4   | BOULON - 10-24 x 3/4      | PERNO - 10-24 x 3/4           | 2              | 2              | 2              | 2              | 2              | 2              | 2              |
| 150          | 10184-E211    | TANK CLAMP           | PINCE-CITERNES            | PINZA PARA TANQUE             | 1              | •              | 1              | •              | 1              | •              | •              |
| 151          | 10184-E201    | TANK STRAP           | SANGLE RÉSERVOIR          | CORREA PARA TANQUE            | 1              | •              | 1              | •              | 1              | •              | •              |
| 154          | Y-11795       | LOCK NUT             | CROU DE BLOCAGE           | TUERCA DE SEGURIDAD           | 2              | •              | 2              | •              | 2              | •              | •              |
| 155          | Y-12124       | DOOR PIN CAP         | PORTE PIN PAC             | TAPA DE CLAVIJA DE LA PUERTA  | 2              | 2              | 2              | 2              | 2              | 2              | 2              |



