

This Owner's Manual is provided and hosted by [Appliance Factory Parts](#).



Broil King 9523-54 Owner's Manual

[Shop genuine replacement parts for Broil King 9523-54](#)



[Find Your Broil King Grill Parts - Select From 1350 Models](#)

----- Manual continues below part list -----

Available Replacement Parts for Broil King 9523-54

S21124	SCREW PHCP #8 X 12 +
80012	regulator and hose READ ADD. INFO
10342-245	IGNITOR ELECTRONIC DUAL +
10892-608	WHEEL 6 INCH
57154-901	GREASE TRY 340/401 0.8MM BLK HI HEAT PNT
10711-E401R	SHELF LOWER BASE BLK 240/300 W/RIVNUTS
18010	SMALL LID HEAT INDICATOR
10081-BK530	NAMEPLATE BROIL KING +
32001-152	WHEEL CAP SMALL - CHARCOAL
52014-903	COLLECTOR BOX ASSY 330 430SS
10184-E361	SHELF SUPPORT LHS BLK
10184-E371	SHELF SUPPORT RHS BLK
10222-E304	FLAV R WAVE 320 SS
10225-E330	WARMING RACK PORTACHEF 320
10225-T205	GRID PORTACHEF 320 CI
10390-E30	BURNER TUBE PORTACHEF 320
10711-F30	SHELF - SIDE
10909-E33	CASTING BOTTOM PORTACHEF 320
31106-13A	LID HANDLE W/GRIP ASSEMBLY PORTACHEF 320
39004-014	VALVE ASSEMBLY LP
10342-E12	ELECTRODE W/WIRE +
10472-K431	CONTRL KNOB RESIN LRG BLCK W/SS BA STRIP
52009-901	GREASE PAN - BLACK HIGH HEAT PAINT

Broil King®

ASSEMBLY MANUAL & PARTS LIST - MANUEL DE MONTAGE & LISTE DE PIÈCES - MANUAL DE ARMADO Y LISTA DE PARTES



Broil King.
GEM 320
9523-54

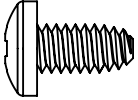

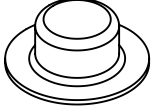
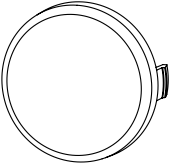
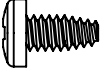
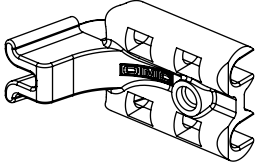
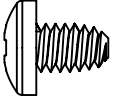
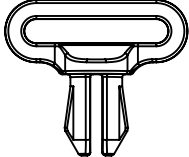
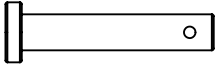
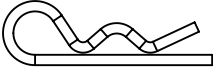

RETAIN FOR FUTURE REFERENCE - VEUILLEZ CONSERVER POUR REFERENCE ULTERIEURE - CONSERVER PARA FUTURAS CONSULTAS

Onward
SINCE 1906
MANUFACTURING COMPANY
585 KUMPF DRIVE LIMITED
WATERLOO, ONTARIO, CANADA
N2V 1K3

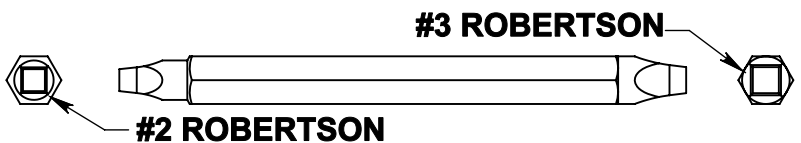
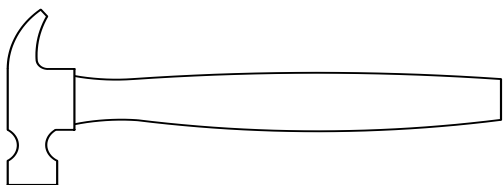
info@omcbbq.com
1-800-265-2150

10084-E50 REV A 12/16

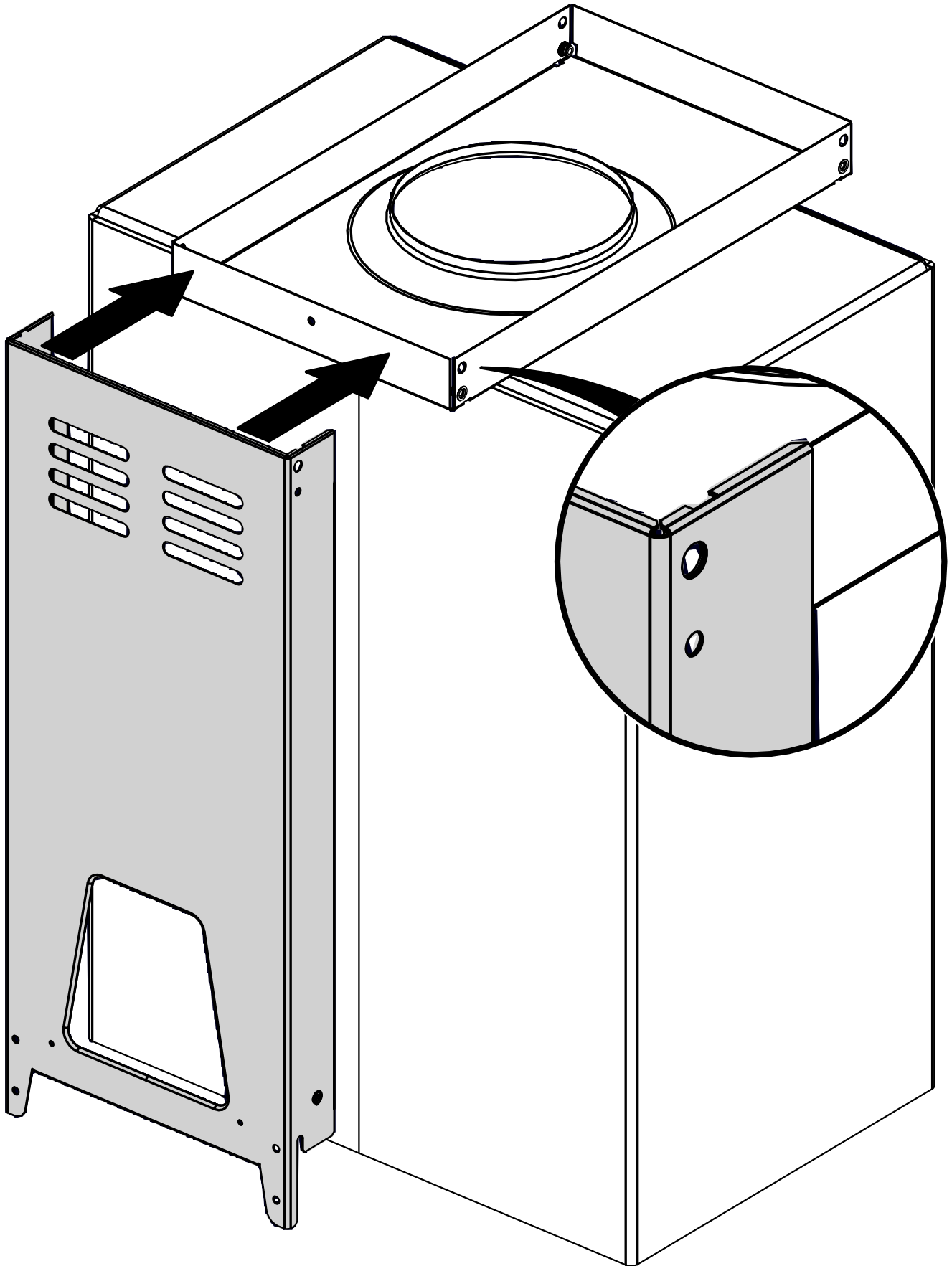
HARDWARE INCLUDED / MATERIAL INCLUS / EQUIPOS INCLUIDO

Y-12865		X4	AAA		X1
S21420		X2	32001-152		X2
Y-29304		X6	10184-E11		X4
Y-12855		X10	Y-12673		X2
32300112		X2	S21233		X2
S21124		X4			

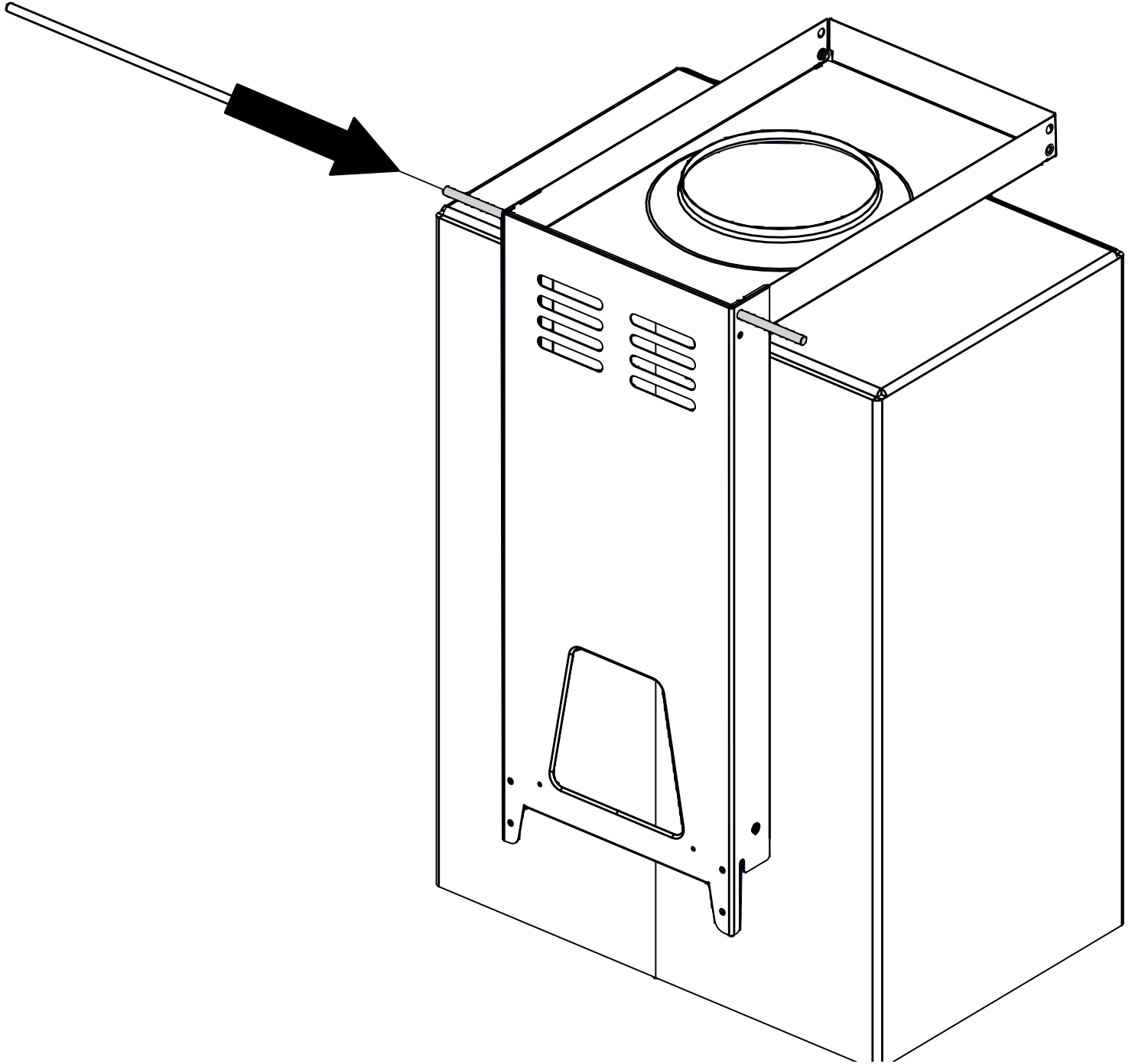
TOOLS REQUIRED / OUTILS NECESSAIRES / HERRAMIENTAS NECESARIAS



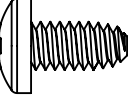
1

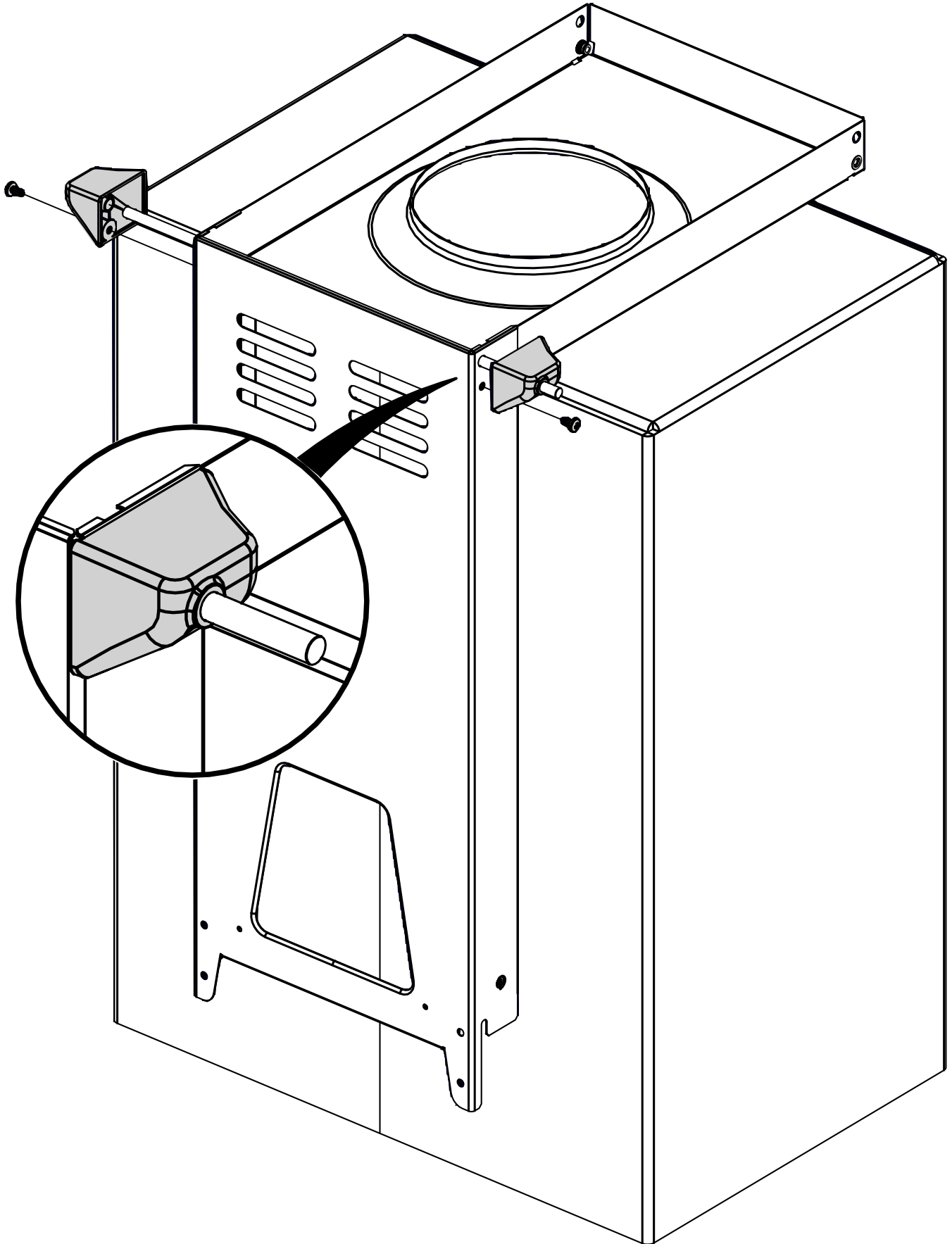


2

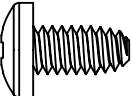


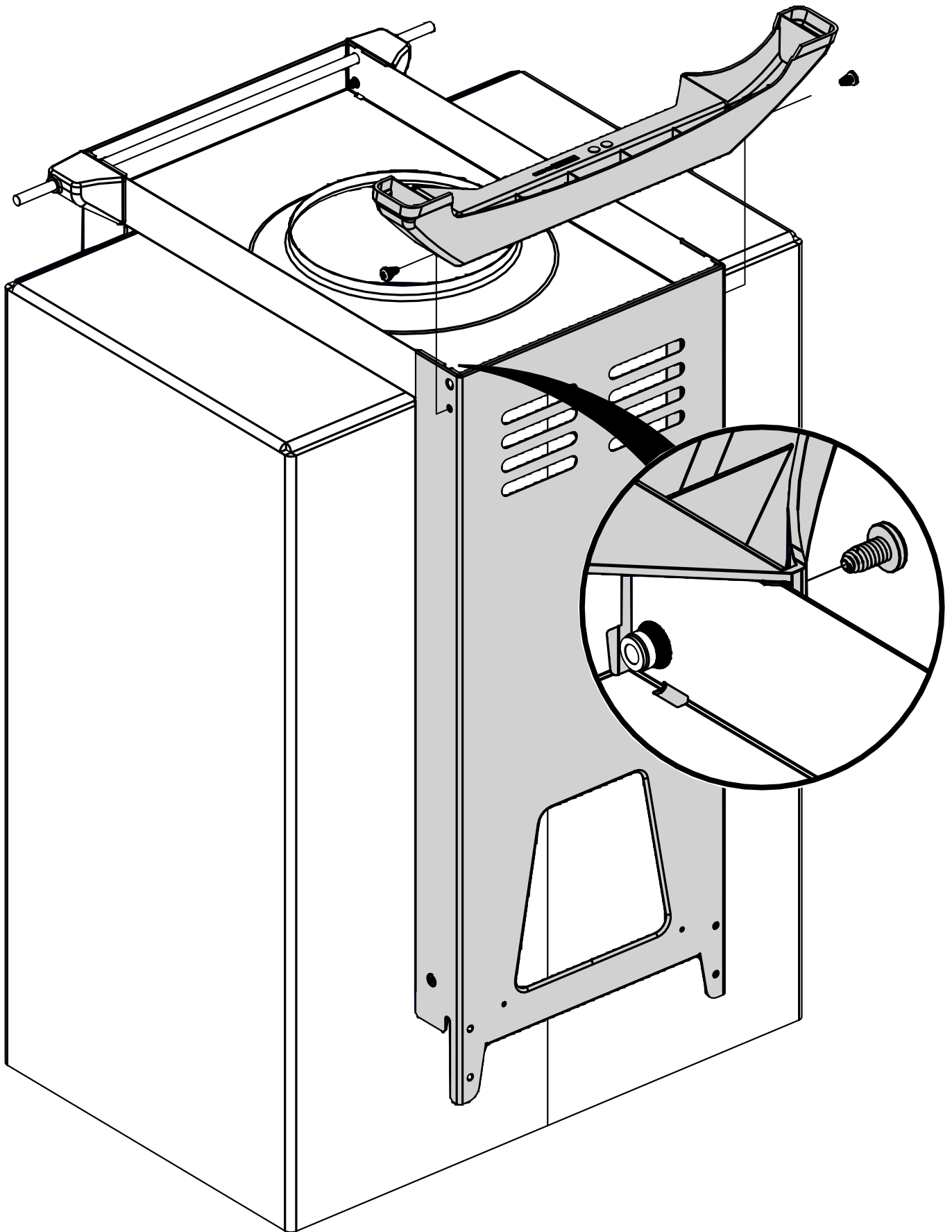
3

(2) 



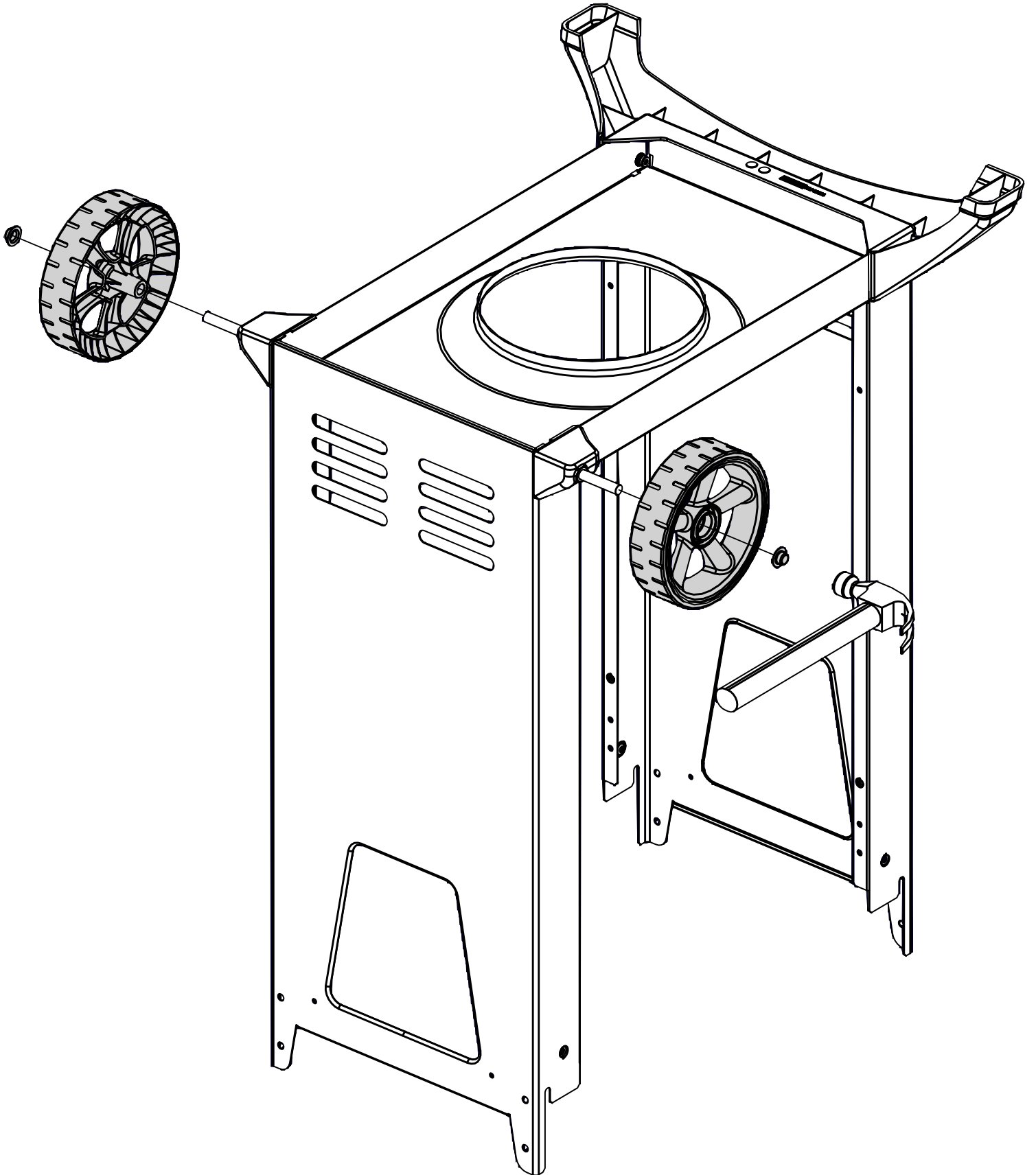
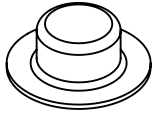
4

(2) 



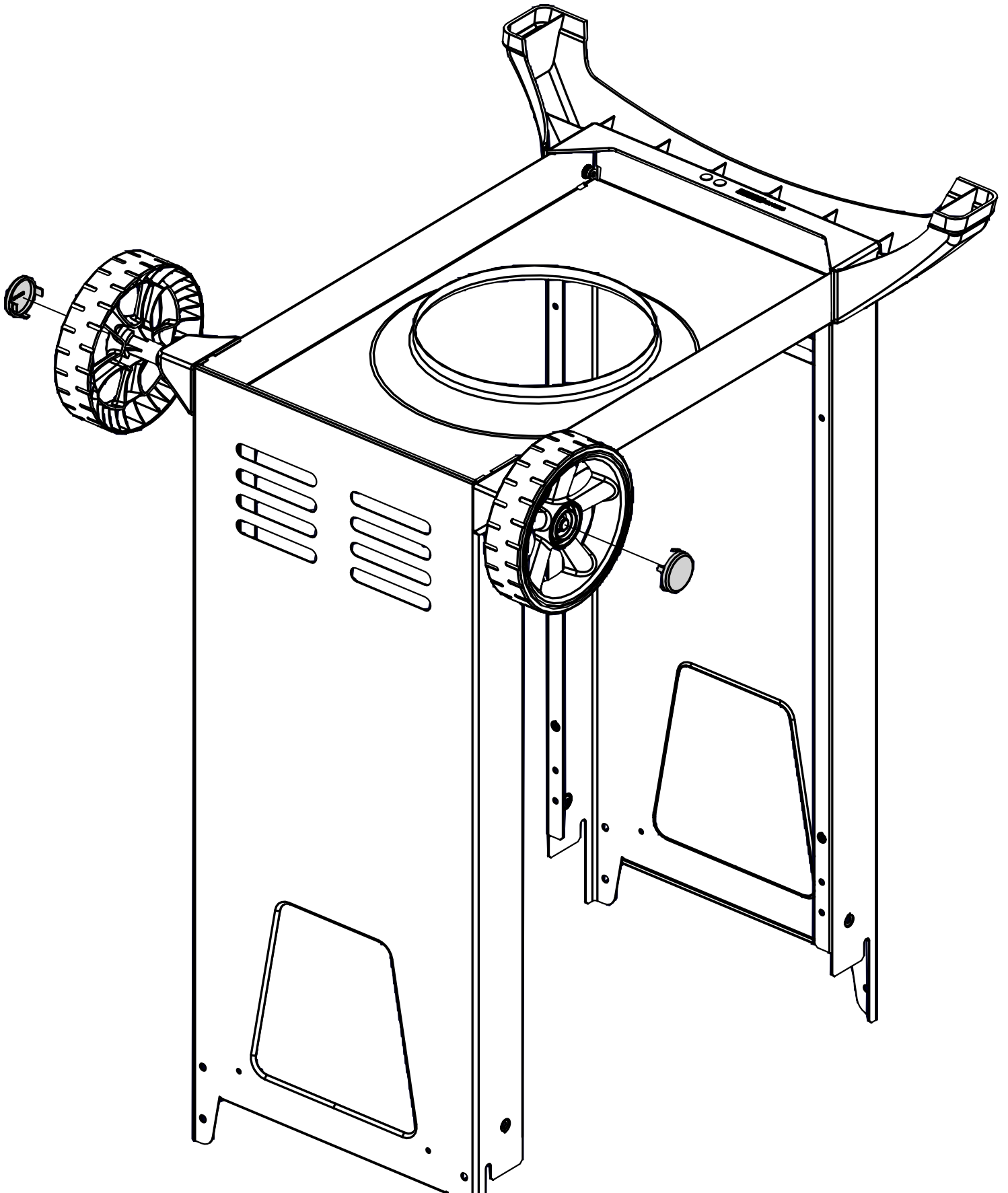
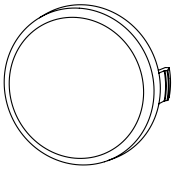
5

(2)

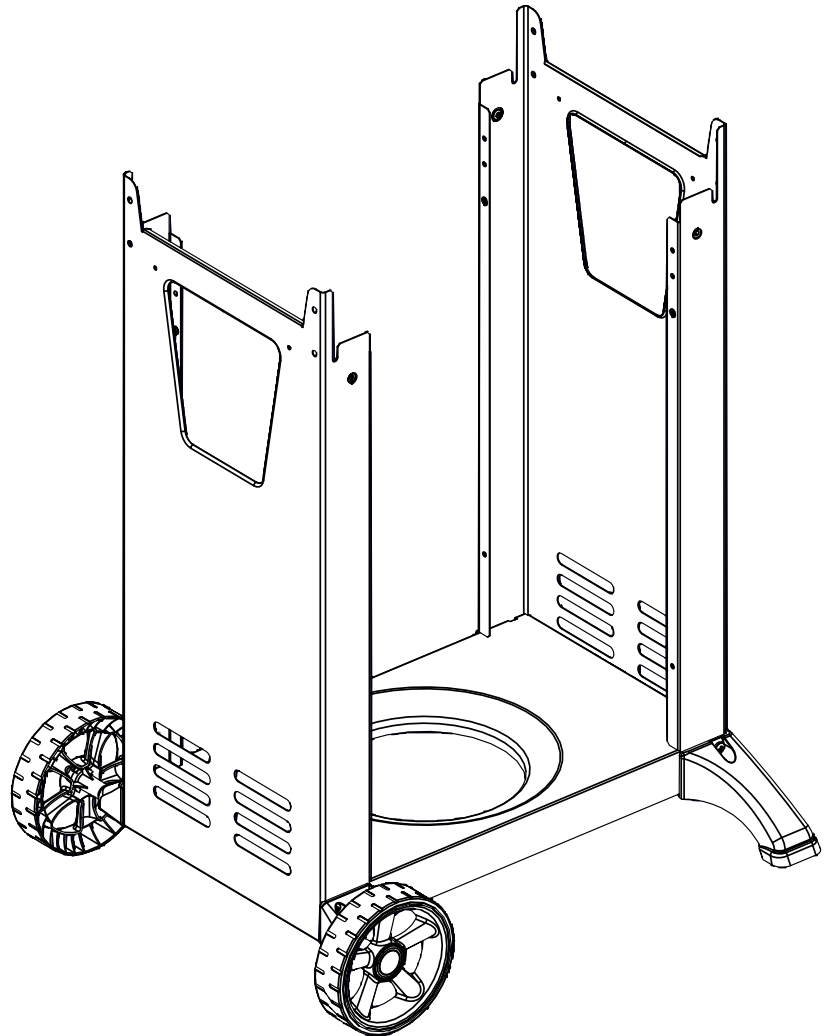
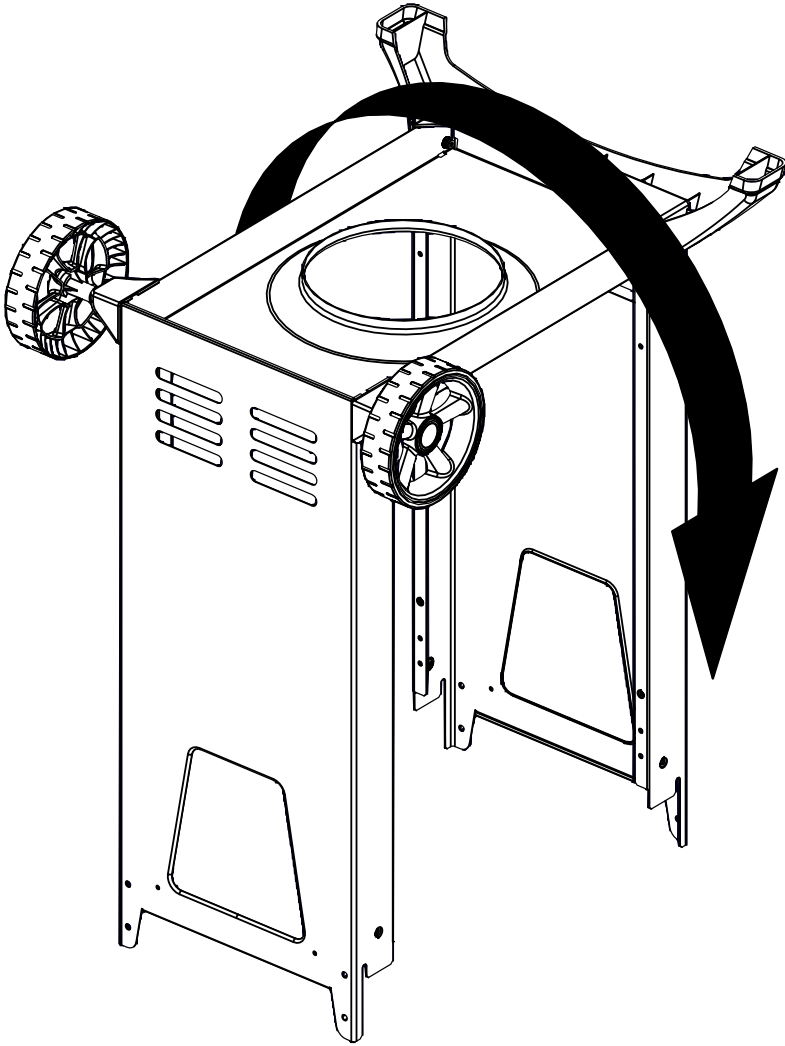


6

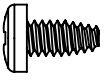
(2)

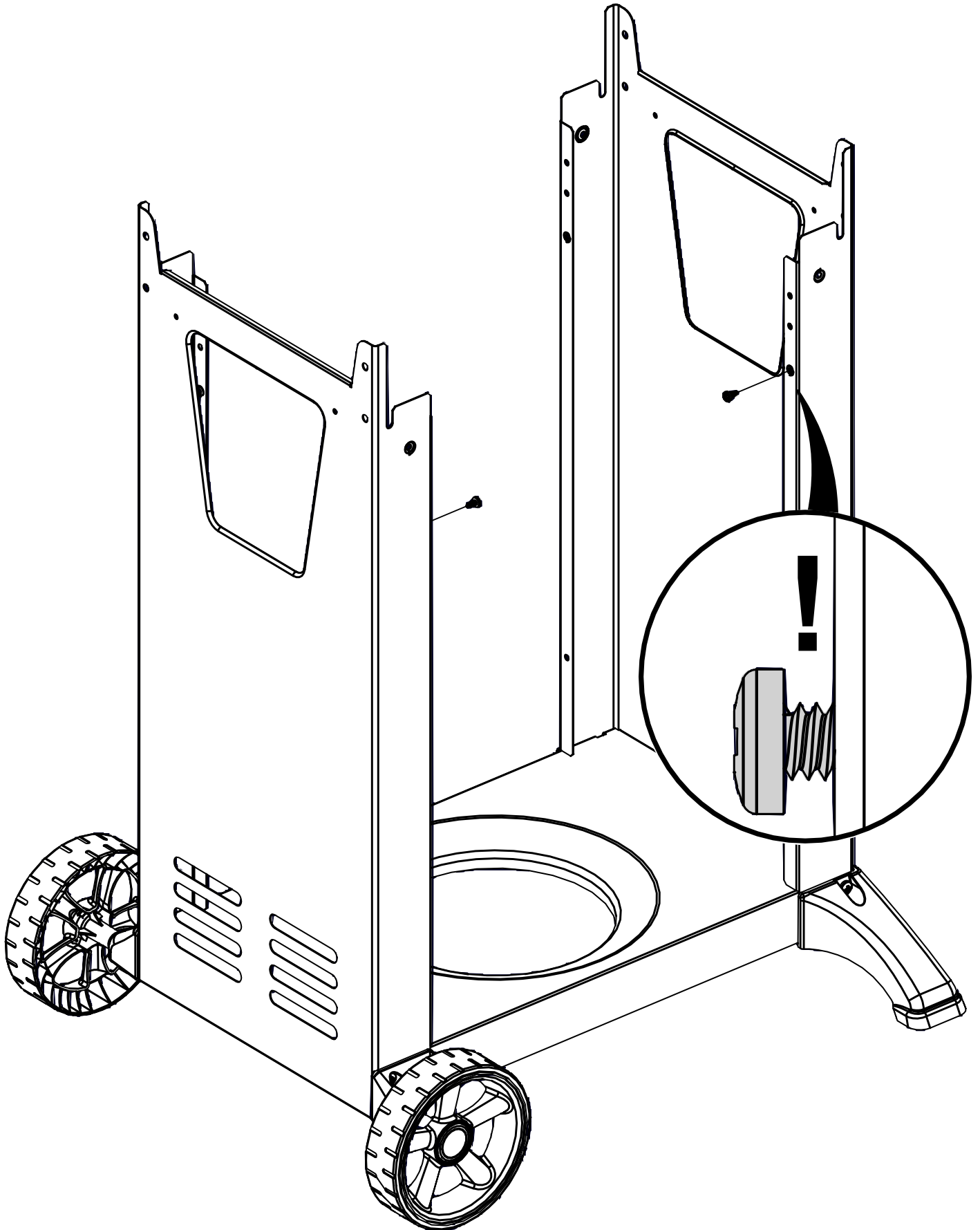


7

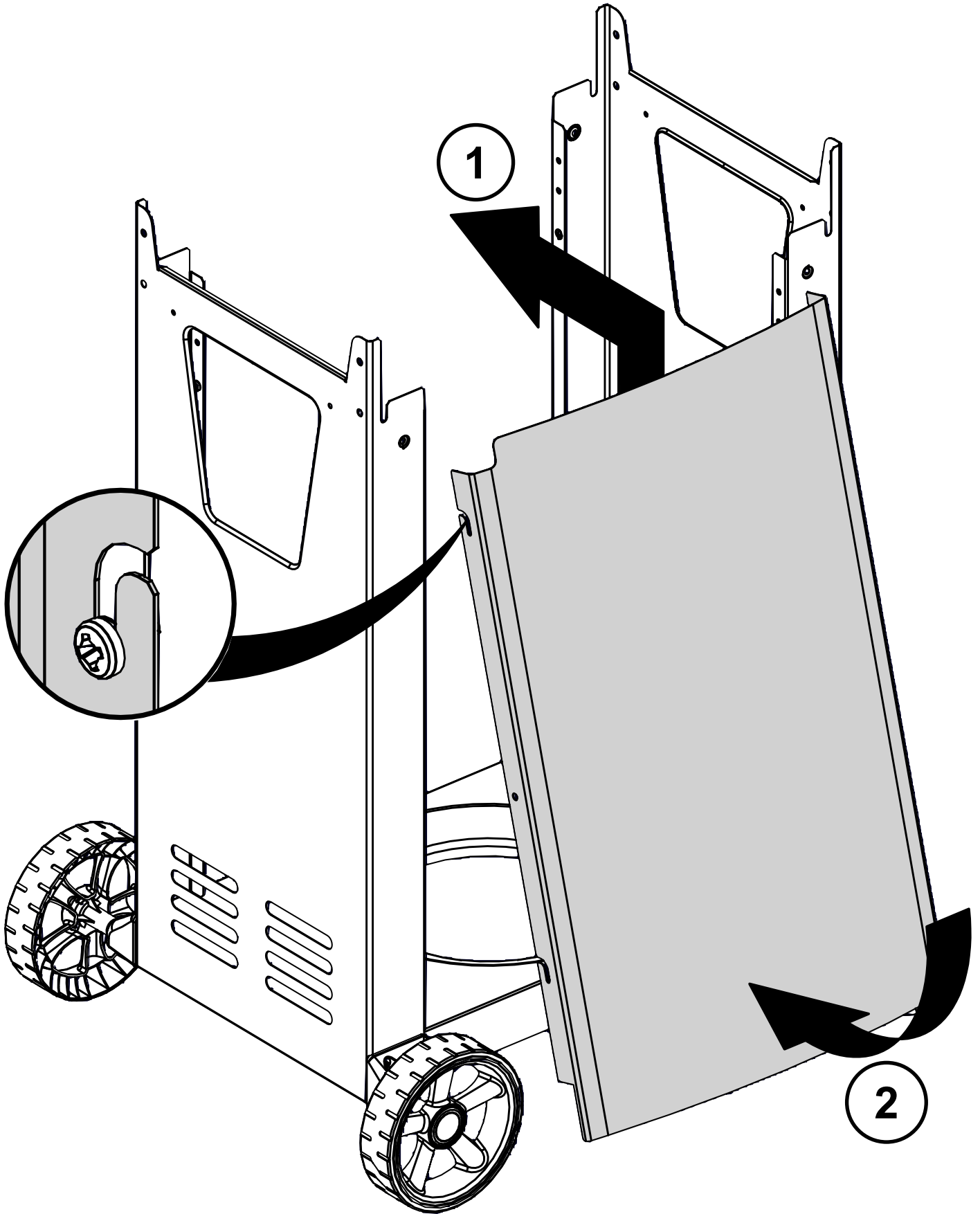


8

(2) 



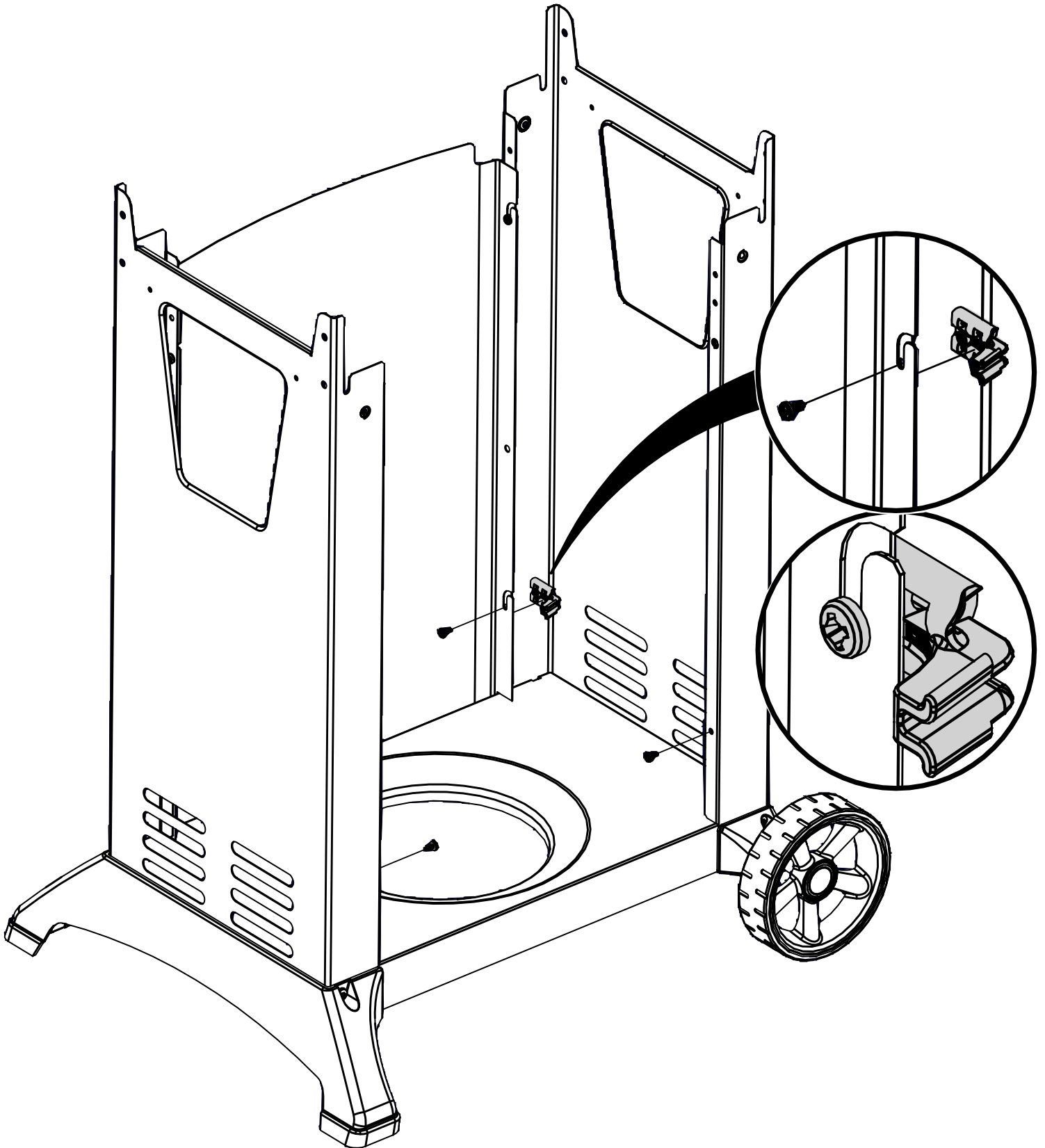
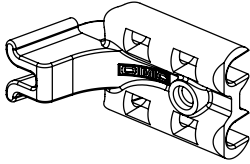
9

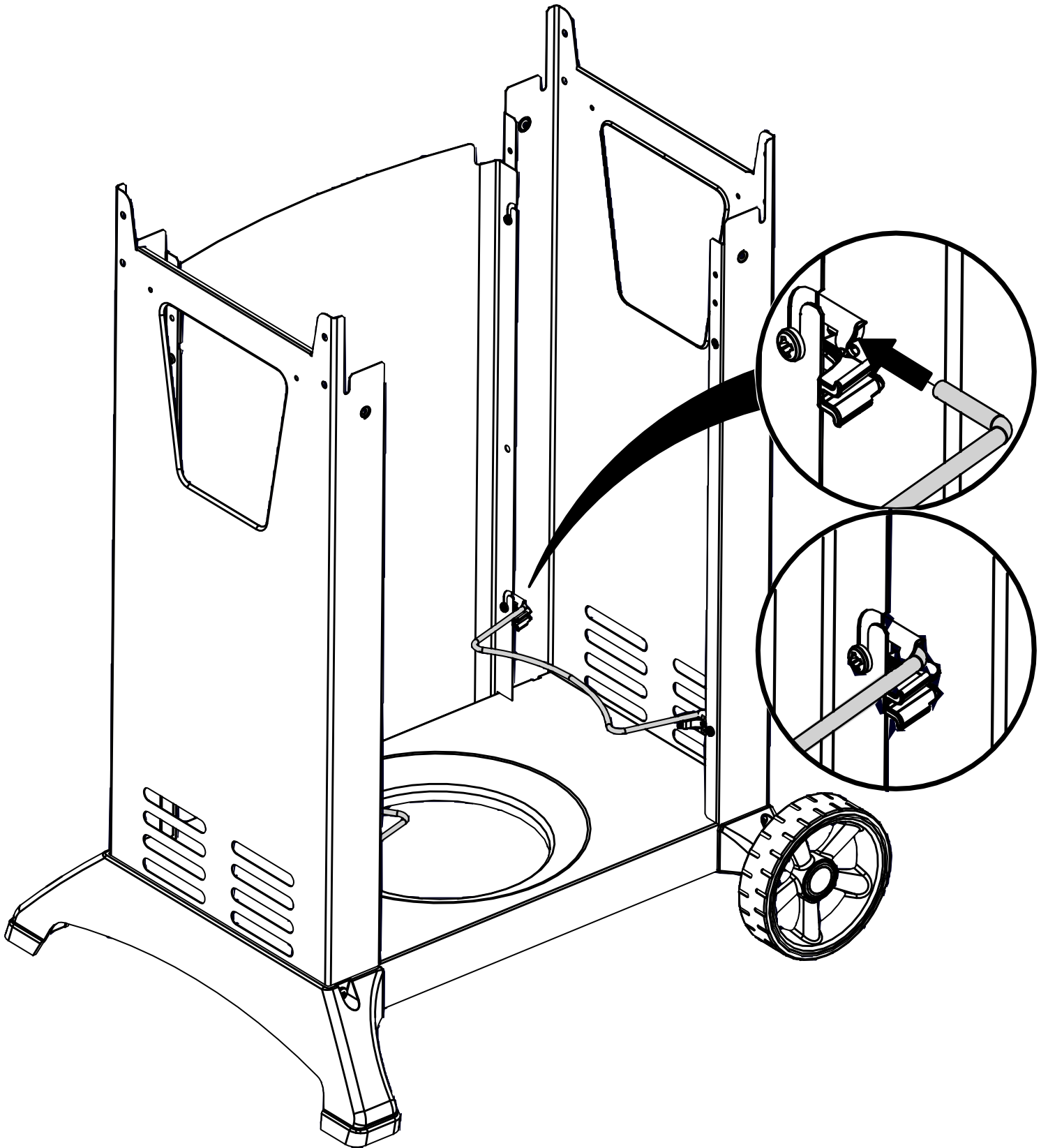


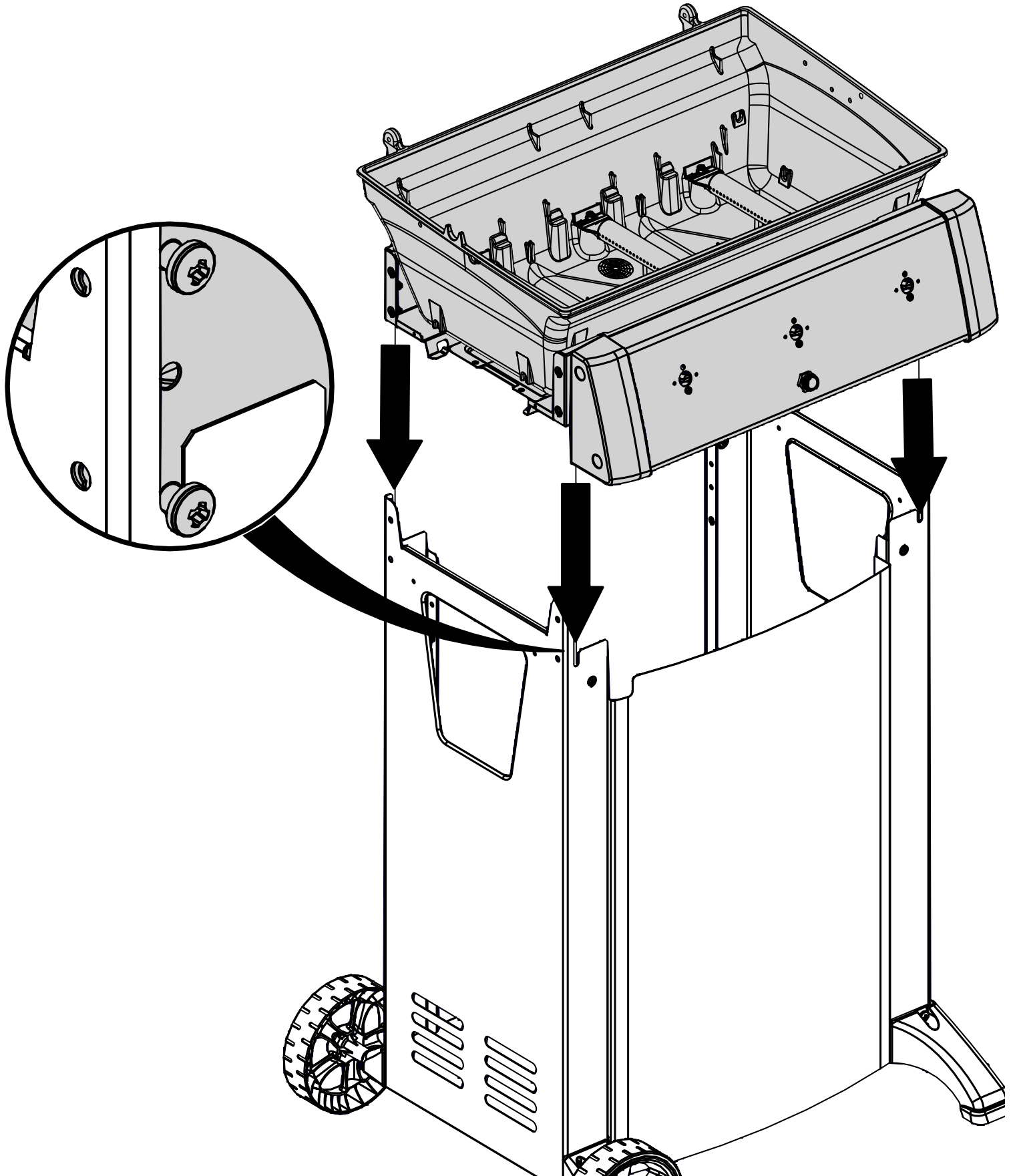
10

(4) 

(4)

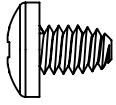




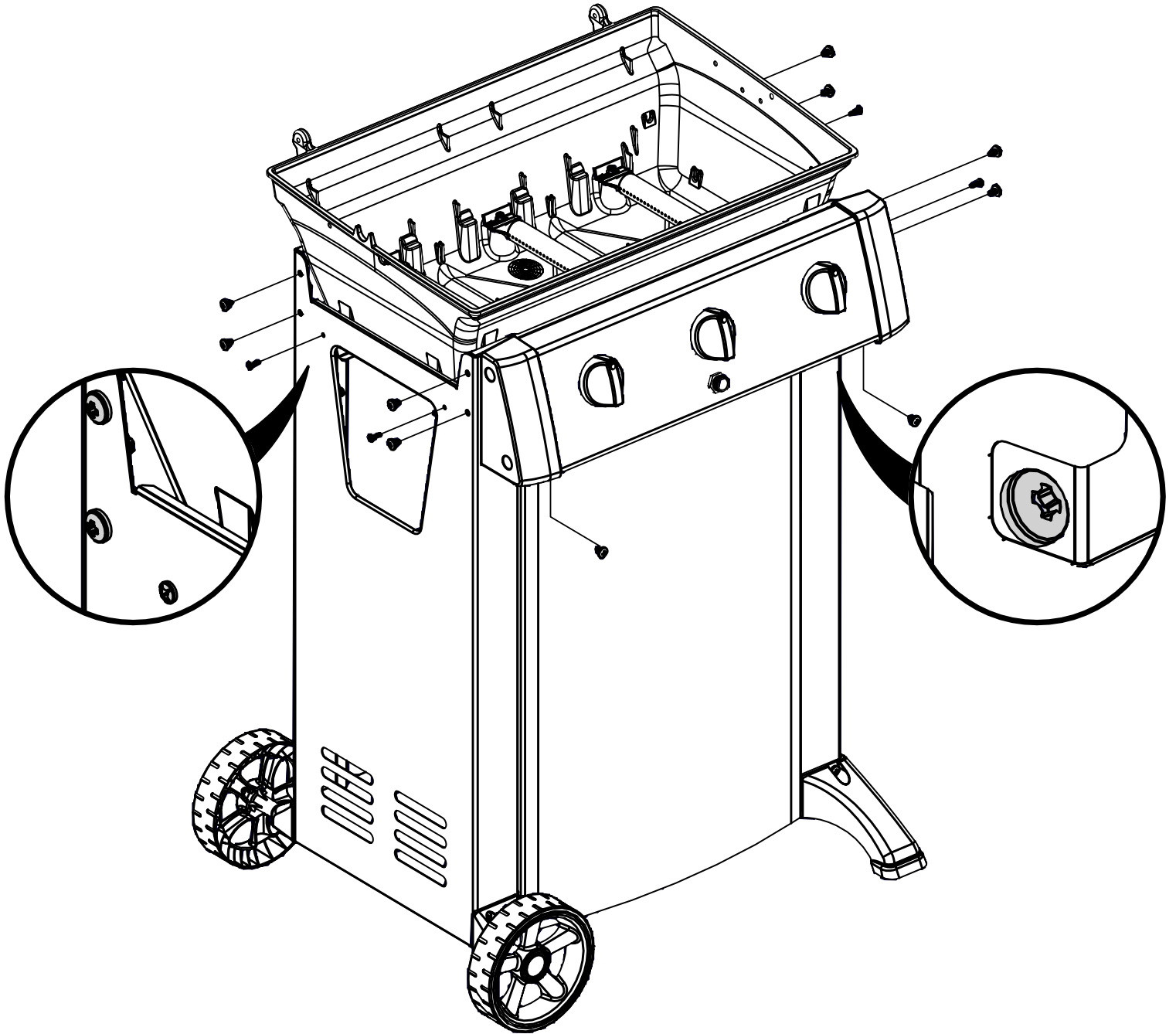
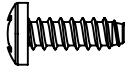


13

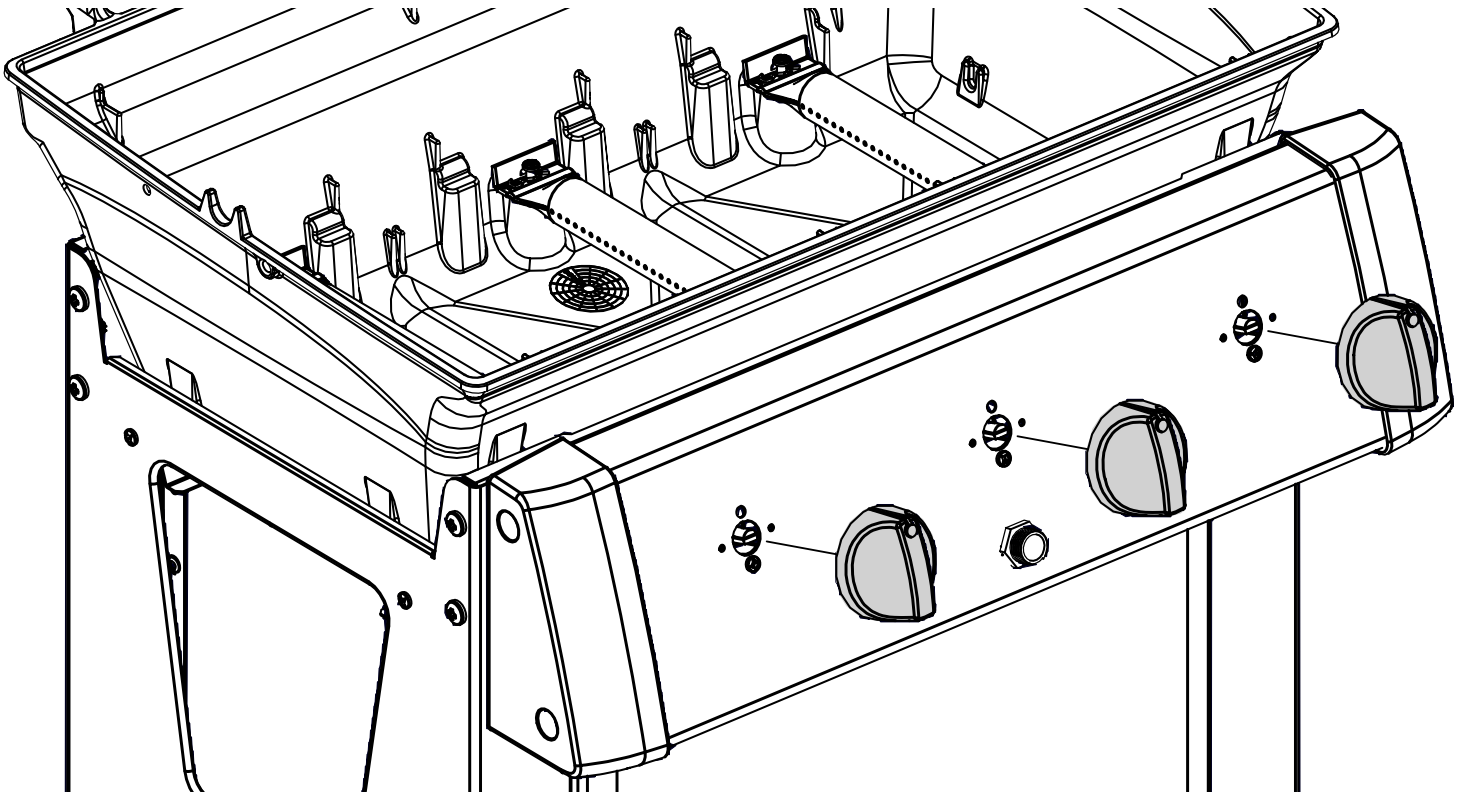
(10)



(4)

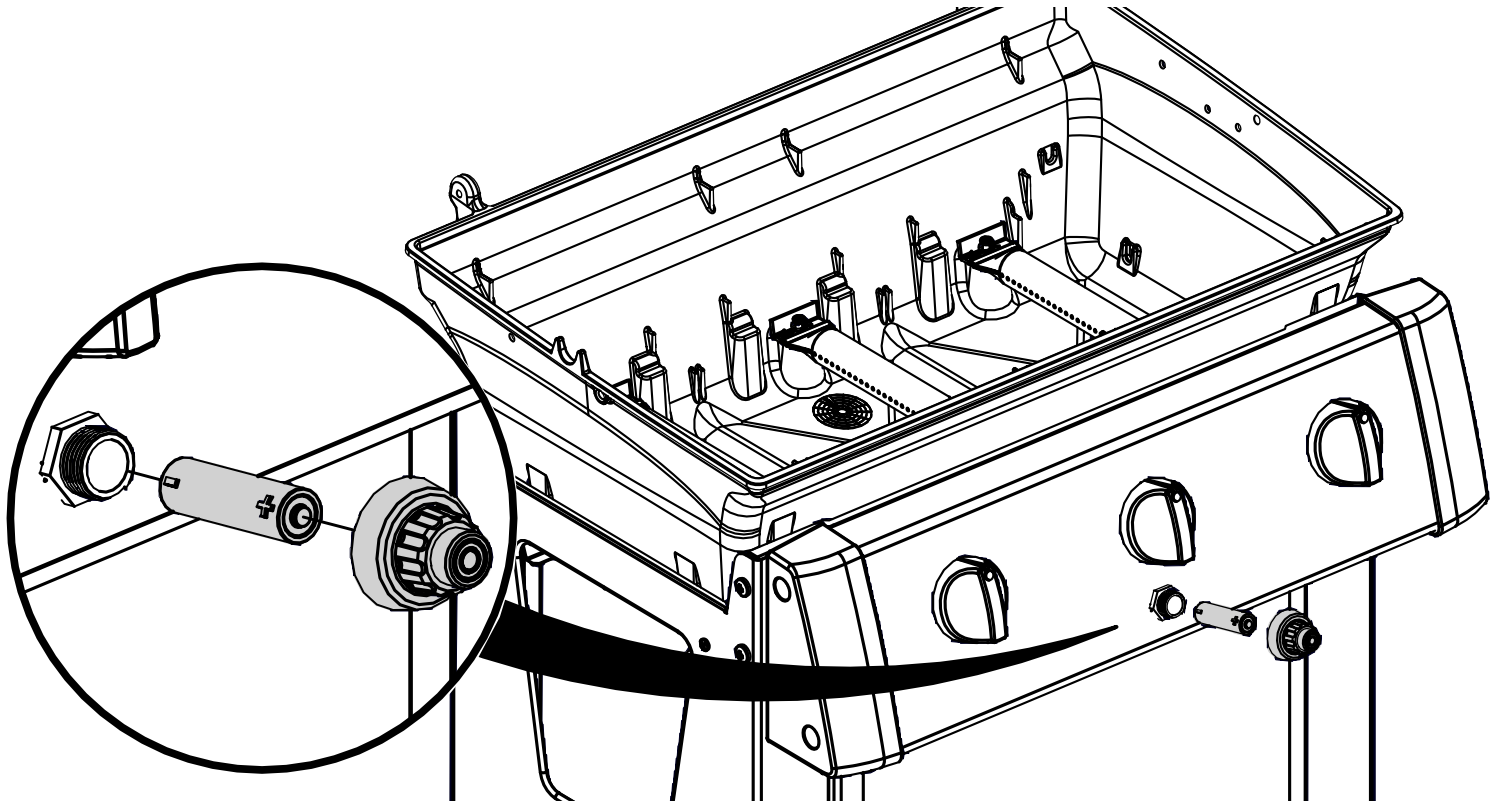


14

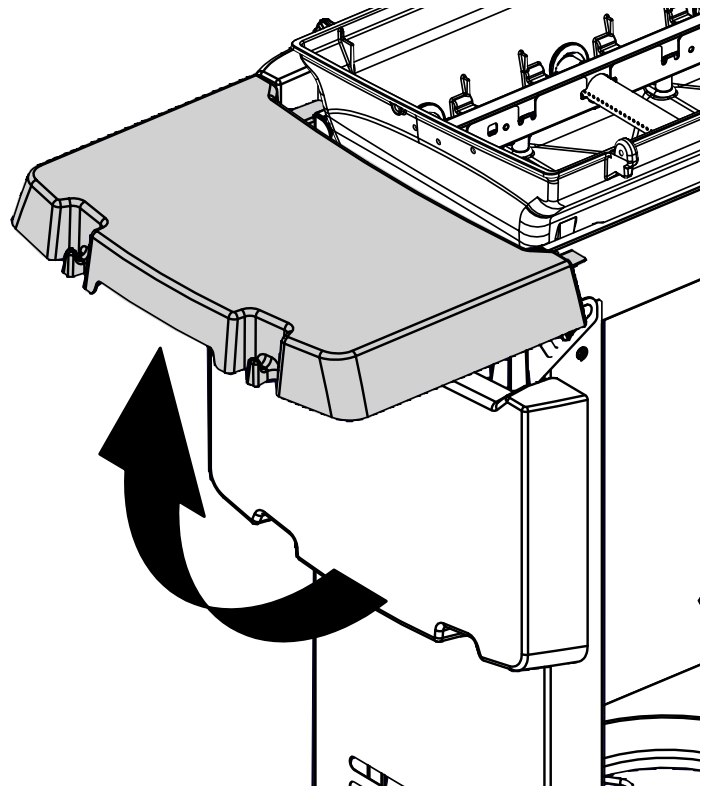
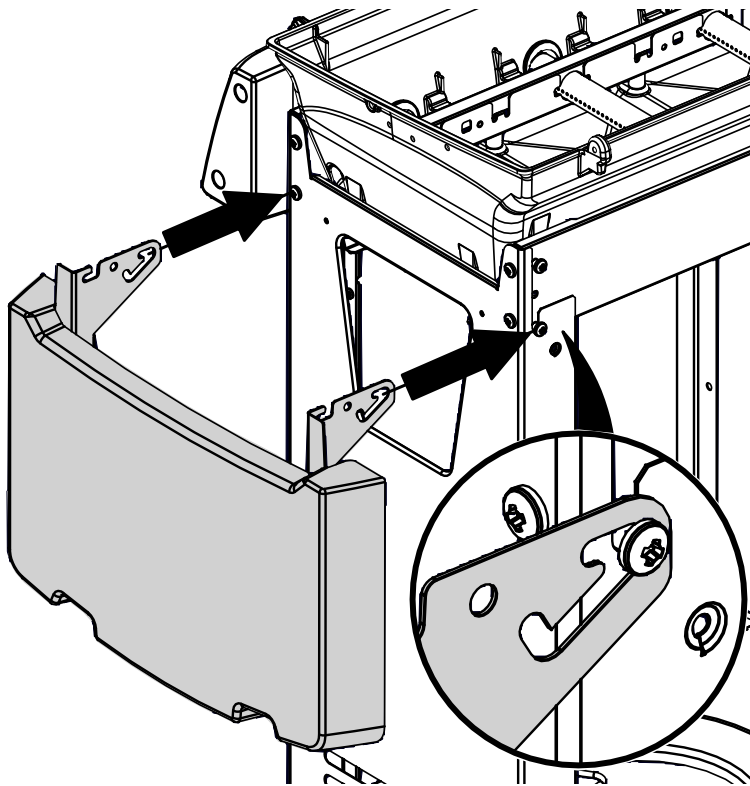


15

(1)

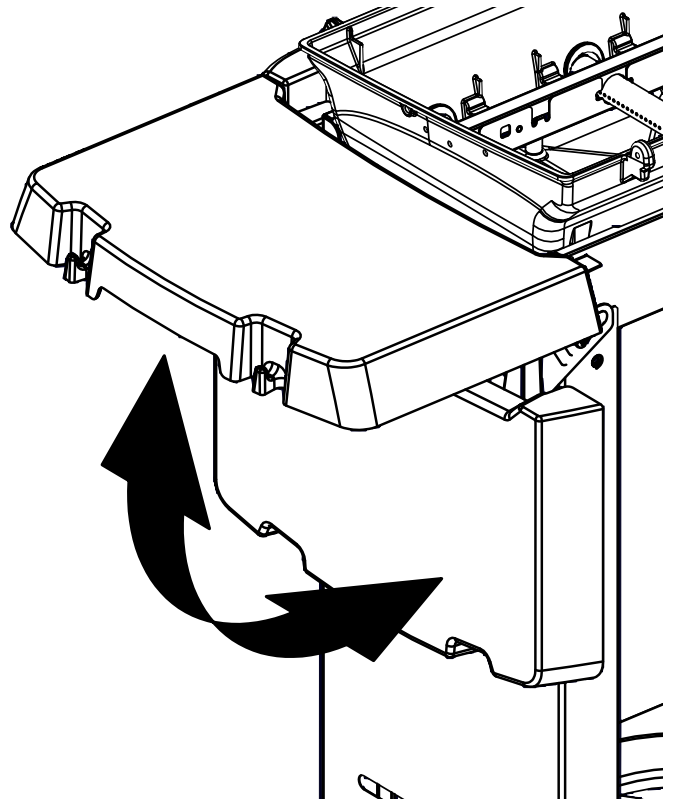
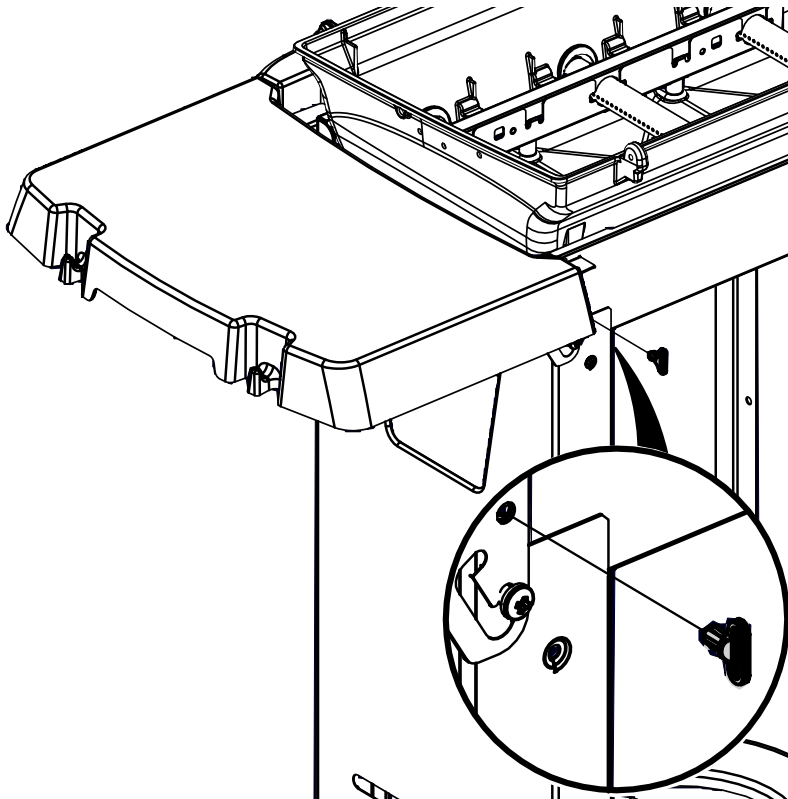
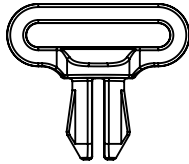


16

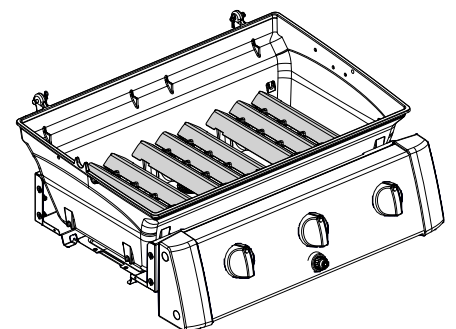
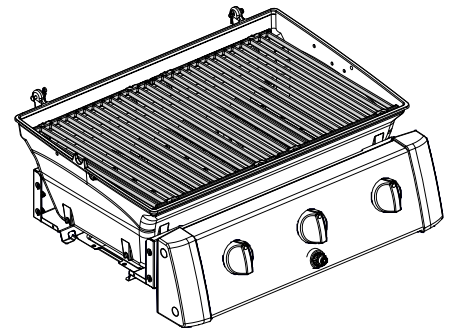
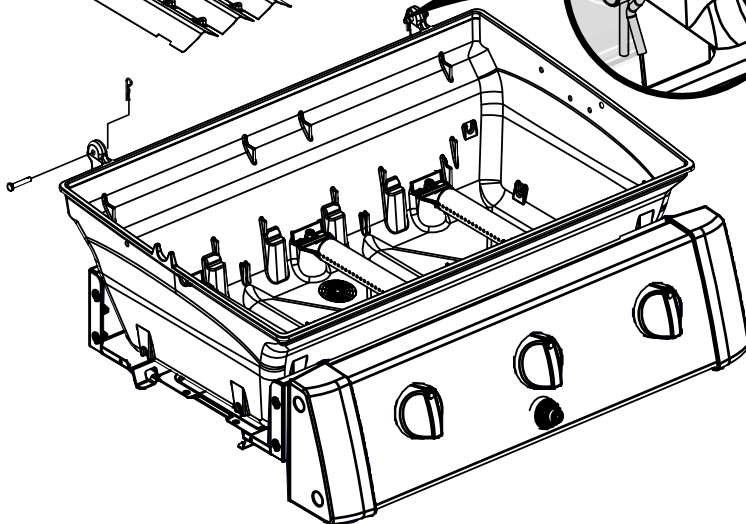
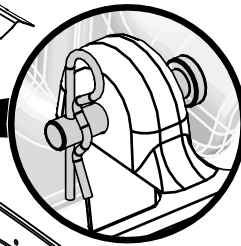
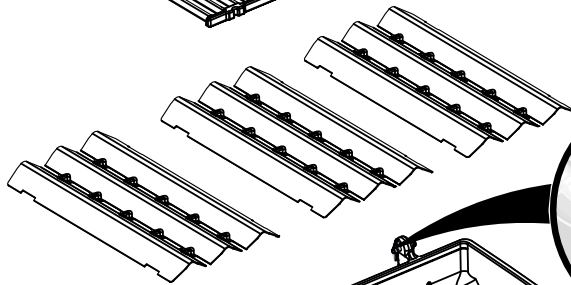
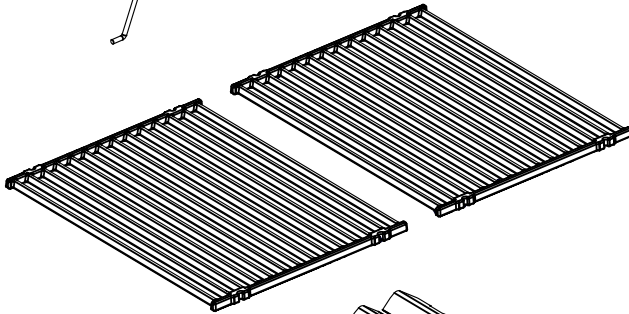
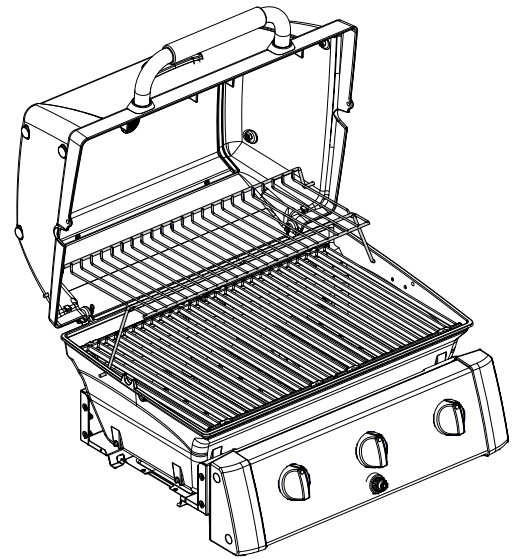
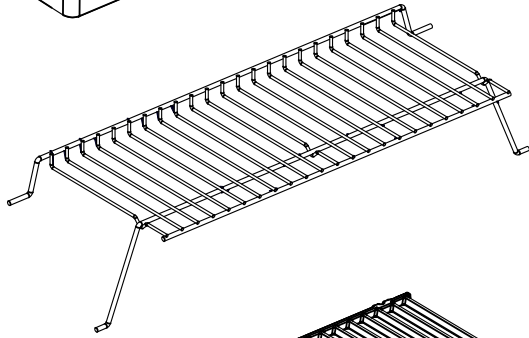
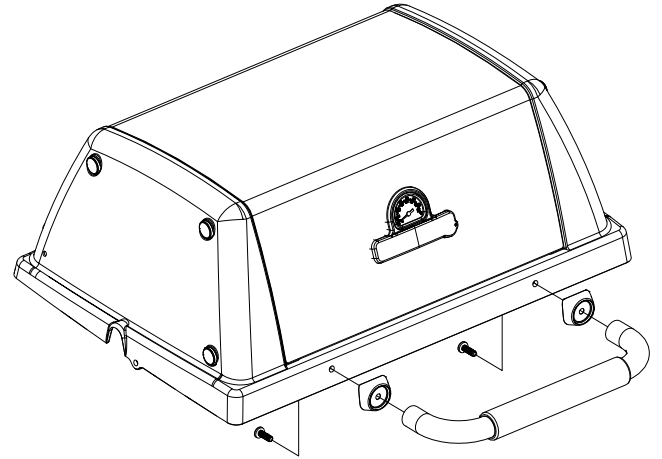
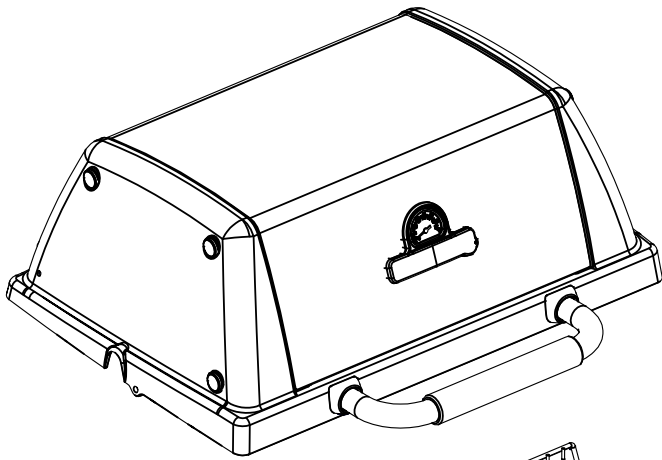
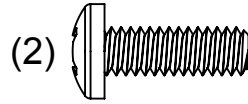
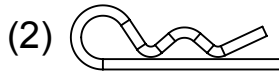
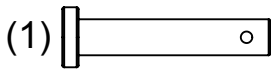


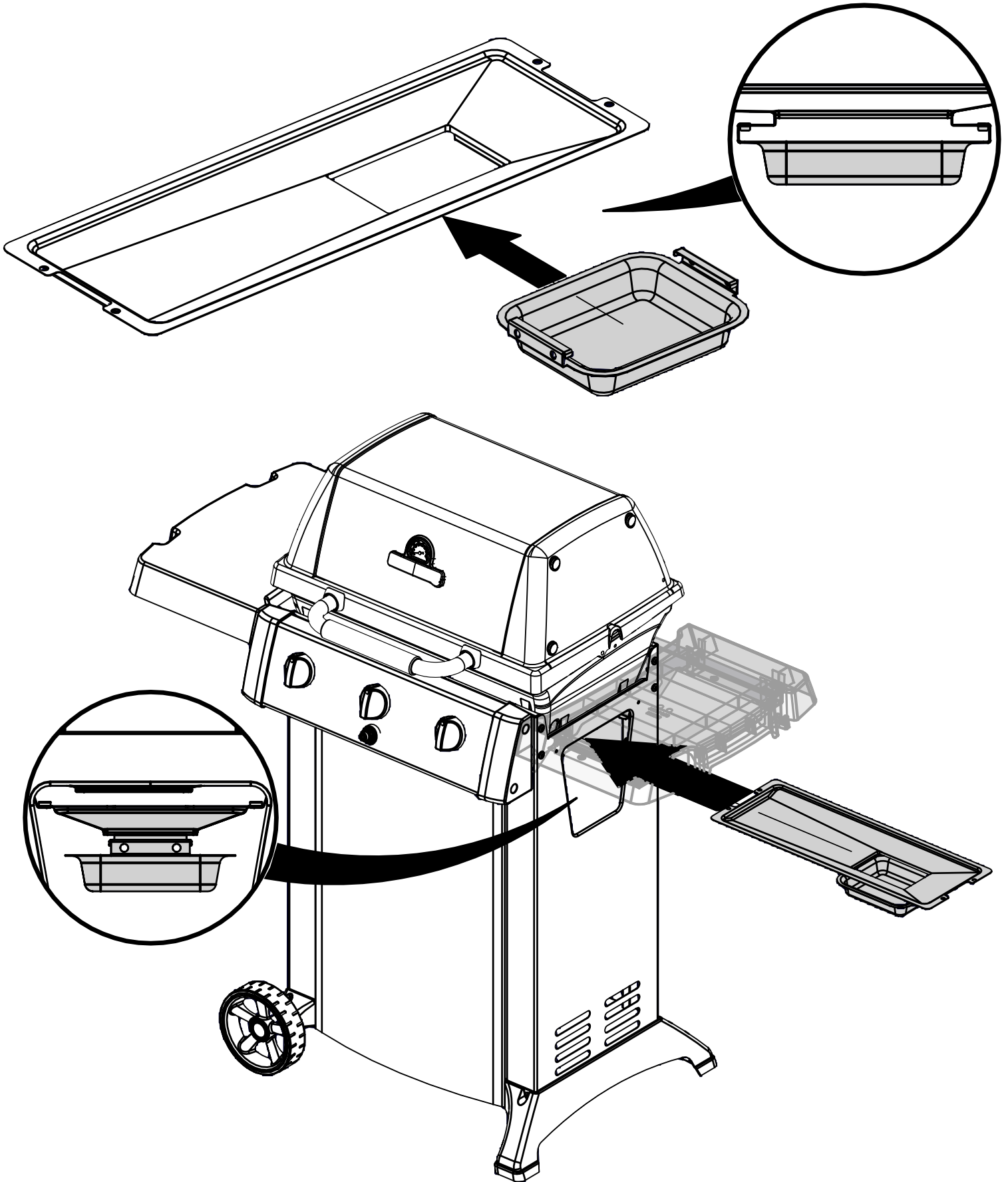
17

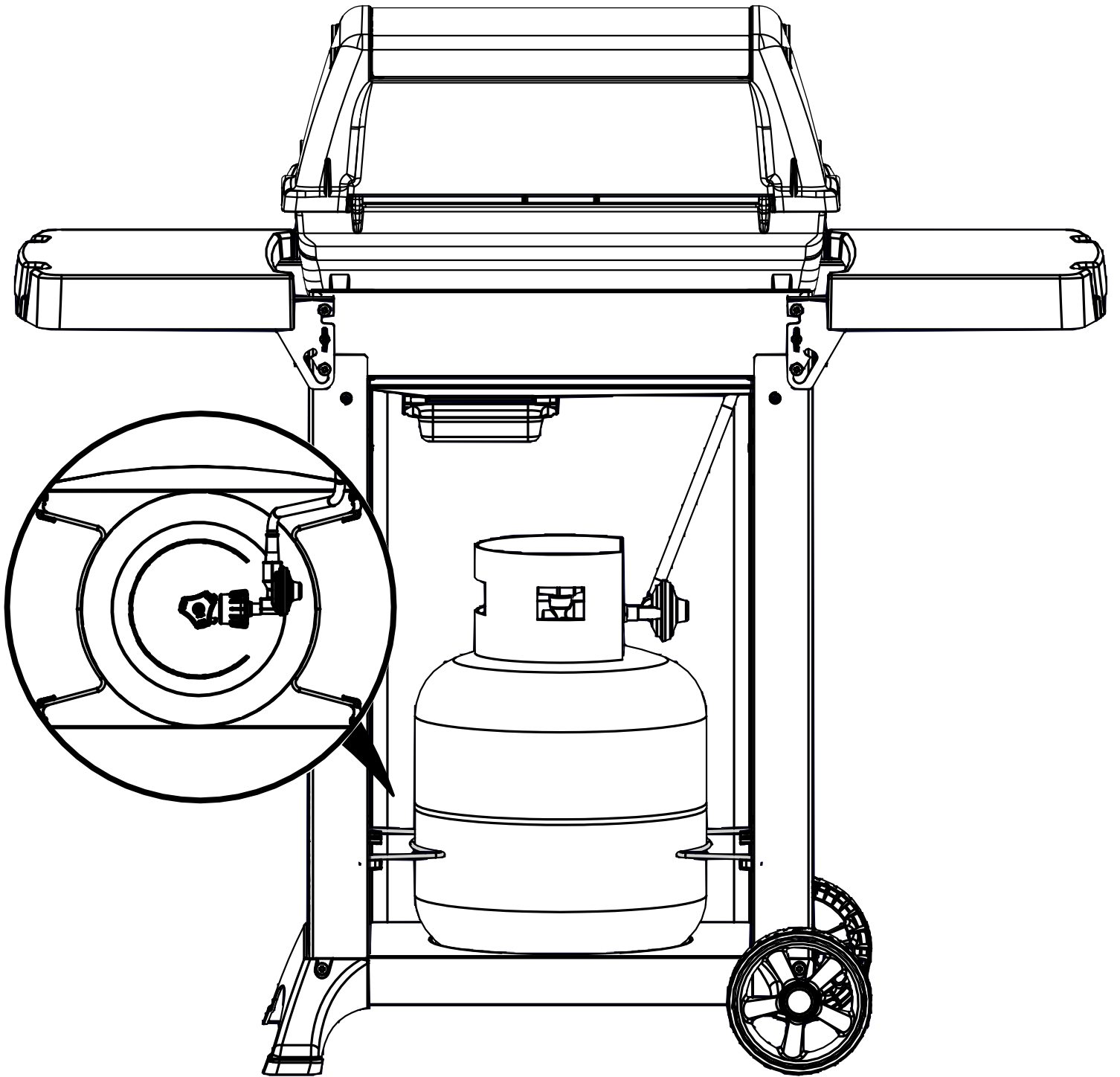
(2)



18







PARTS LIST / LISTE DES PIÈCES

<u>KEY #</u>	<u>ITEM #</u>	<u>DESCRIPTION</u>	<u>DESCRIPTION</u>	<u>9523-54</u>
1	10909-E33	CASTING BOTTOM	FOND DU FOYER	1
2	10473-E33	CASTING TOP	COUVERCLE DU GRIL	1
3	10081-BK530	NAMEPLATE	PLAQUE D'IDENTIFICATION	1
4	10958-E334A	LID INSERT PANEL	PANNEAU DE COUVERCLE	1
5	10571-5	HEAT INDICATOR	INDICATEUR DE CHALEUR	1
6	32300112	HINGE PIN	GOUPILLE DE CHARNIÈRE	2
7	S21233	HINGE PIN CLIP	GOUPILLE DE CHARNIÈRE	2
8	Y-11544	SCREW - BURNER	VIS - BRÛLEUR	3
9	10225-T205	GRID	GRILLE	2
10	10222-E304	FLAV-R-WAVE™	FLAV-R-WAVE™	3
11	10225-E330	GRID - WARMING RACK	GRILLE	1
12	S21242	BURNER CLIP	ATTACHE DE CHEVILLE	3
15	10390-E30	BURNER	BRÛLEUR	3
17	10342-245	IGNITOR	ALLUMAGE	1
18	10342-E12	ELECTRODE	ELECTRODE	2
19	52224-024A	COLLECTOR BOX	BOÎTE DE COLLECTEUR	1
21	39004-014	CONTROL ASSEMBLY	SOUPAPE	1
22	10114-20	HOSE AND REGULATOR	TUYAU ET REGULATEUR	1
23	10472-K431	CONTROL KNOB	BOUTON DE CONTROLE	3
30	10194-E227	CONTROL COVER	PANNEAU DE CONTROLE	1
31	10711-E19	EDGE CAP - LEFT	PAC DE BORD GAUCHE	1
32	10711-E18	EDGE CAP - RIGHT	PAC DE BORD DROIT	1
33	10184-F37	HEAT SHIELD	ÉCRAN DE CHALEUR	1
35	10184-F321	BRACKET - LEFT	SUPPORT - GAUCHE	1
36	10184-F331	BRACKET - RIGHT	SUPPORT - DROIT	1
37	10184-E361	SHELF BRACKET - LEFT	SUPPORT TABLETTE DE GAUCHE	2
38	10184-E371	SHELF BRACKET - RIGHT	SUPPORT TABLETTE DE DROIT	2
39	10956-F321	BRACE-REAR	SUPPORT ARRIERE	1
40	10711-E401R	BASE	TABLETTE INFERIEURE	1
41	10956-F311	BRACE-FRONT	SUPPORT AVANT	1
42	10958-E337	FRONT PANEL	PANNEAU AVANT	1
43	10958-F301	SIDE PANEL	PANNEAU LATERALE	2
			ABRAZADERA-POSTERIOR	
			ABRAZADERA-FRONTAL	
			PANEL FRONTAL	
			PANEL LATERAL	
			MECANISMO DE CONTROL	
			MANGUERA Y REGULADOR	
			PERILLA DE CONTROL	
			CUBIERTA DE CONTROL	
			TAPA DE EXTREMO - IZQUIERDO	
			TAPA DE EXTREMO - DERECHO	
			CUBIERTA DE RADIACIÓN	
			SOPORTE - IZQUIERDO	
			SOPORTE - DERECHO	
			SOPORTE-ESTANTE - IZQUIERDA	
			SOPORTE-ESTANTE - DERECHA	
			ABRAZADERA-POSTERIOR	
			BASE	
			ABRAZADERA-FRONTAL	
			PANEL FRONTAL	
			PANEL LATERAL	

PARTS LIST / LISTE DES PIECES

<u>KEY #</u>	<u>ITEM #</u>	<u>DESCRIPTION</u>	<u>DESCRIPTION</u>	<u>DESCRIPTION</u>	<u>9523-54</u>
45	10184-E10	TANK RETAINER	SERVITEUR DU RESERVOIR	SIERVO DE DEPÓSITO	2
47	10184-E11	TANK RETAINER SUPPORT	SUPPORT DE RETENUE	SOPORTE DE RETENCIÓN	4
50	10711-F30	SHELF - SIDE	PLANCHETTE	ESTANTE	2
56	10892-608	WHEEL	ROUE	RUEDA	2
58	34000-336	HANDLE BEZEL	MONTURE	PANEL	2
70	10958-F28	WHEEL SPACER - LEFT	ESPACEUR - GAUCHE	ESPACIADOR - IZQUIERDO	1
71	10958-F29	WHEEL SPACER - RIGHT	ESPACEUR - DROIT	ESPACIADOR - DERECHO	1
72	S21420	PUSH NUT	POUSSE ECROU	TUERCA DE COMPRESIÓN	2
73	32001-152	HUB CAP	ENJOLIVEUR DE ROUE	EMBELLECEDOR DE LA RUEDA	2
75	31106-13A	HANDLE	POIGNÉE	MANGO	1
78	10958-F26	FOOT	PIED	PIE	1
80	Y-11546	SCREW 1/4-20 X 5/8	VIS 1/4-20 X 5/8	TORNILLO 1/4-20 X 5/8	8
81	Y-12310	SCREW 1/4-20 X 3/4	VIS 1/4-20 X 3/4	TORNILLO 1/4-20 X 3/4	6
82	Y-12673	SHELF - LOCK PIN	GOUPILLE DE SERRURE	ESTANTE - CLAVIJA DE TRABA	2
83	Y-12865	SCREW 1/4-20 X 1/2	VIS 1/4-20 X 1/2	TORNILLO 1/4-20 X 1/2	8
84	S15174	AXLE	ESSIEU	EJE	1
85	Y-12855	SCREW 1/4-20 X 3/8	VIS 1/4-20 X 3/8	TORNILLO 1/4-20 X 3/8	18
87	Y-11793	NUT 1/4-20	ECROU PAPILLON #10-24	TUERCA 1/4-20	6
96	S21125	SCREW #8 X 3/8	VIS #8 X 3/8	TORNILLO #8 X 3/8	4
98	S21124	SCREW #8 X 1/2	VIS #8 X 1/2	TORNILLO #8 X 1/2	4
116	Y-29304	SCREW #10-24 X 3/8	VIS #10-24 X 3/8	TORNILLO #10-24 X 3/8	6
122	57054-901	GREASE TRAY	PLATEAU A GRAISSE	BANDEJA RECOLECTORA DE GRASA	1
123	52009-901	GREASE PAN	CUVETTE A GRAISSE	BANDEJA PARA LA GRASA	1
159	S21136	SCREW #8-32 X 3/8	VIS #8-32 X 3/8	TORNILLO #8-32 X 3/8	3
166	Y-11979	BOLT 1/4-20 X 3/8	BOULON 1/4-20 X 3/8	PERNO 1/4-20 X 3/8	6

