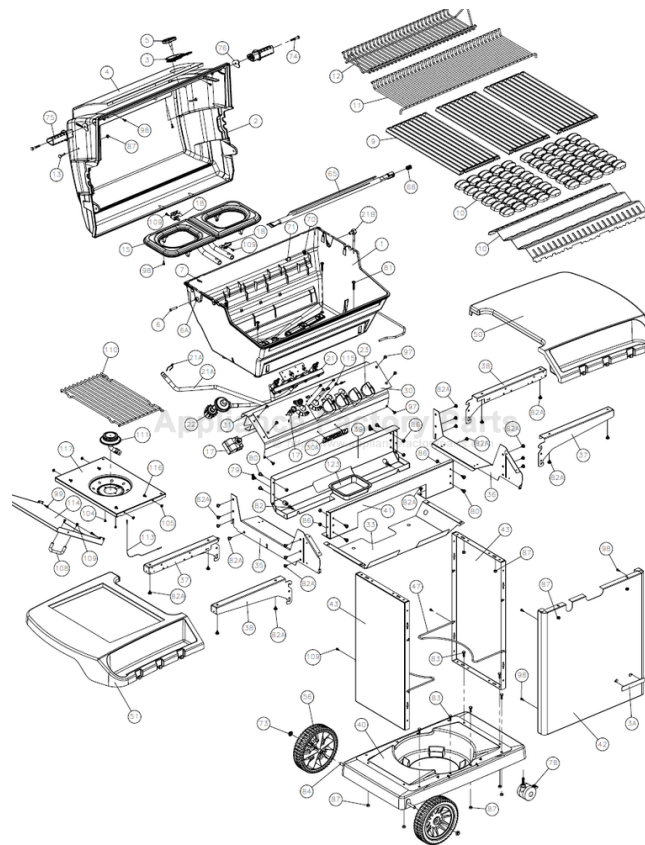


This Owner's Manual is provided and hosted by [Appliance Factory Parts](#).



# Broil King 960-27 Owner's Manual

[Shop genuine replacement parts for Broil King 960-27](#)



[Find Your Broil King Grill Parts - Select From 1350 Models](#)

----- Manual continues below part list -----

## Available Replacement Parts for Broil King 960-27

<a href="#">03200</a>	spark generator; Bmstr, DCS, Ducane
<a href="#">18434</a>	INFINITY BURNER T501
<a href="#">10892-8NG</a>	WHEEL 8 INCH GREY WALL
<a href="#">10225-T628</a>	GRID FLAT WARMING RACK DELUXE+
<a href="#">10225-T627</a>	GRID SWING BASKET IMPERIAL BLACK
<a href="#">10225-T528</a>	GRID FLAT WARM RACK T50 PORC +
<a href="#">03230</a>	spark generator; Ducane
<a href="#">18488</a>	FLAV-R-WAVE - 50,000 BTU STAINLESS
<a href="#">11115</a>	CI COOKING GRID - T626
<a href="#">10342-T301</a>	IGNITOR ELECTRODE ASSEMBLY 8 BURNER 1993
<a href="#">10711-r562</a>	SHELF LEFT C LG W/O BRACKET +
<a href="#">10222-T626</a>	GRATE FLAV R CAST IMPERIAL +
<a href="#">18013</a>	LARGE PROBE HEAT INDICATOR
<a href="#">10184-R19</a>	TANK RETAINER-PEDESTAL-NEW
<a href="#">10225-T10</a>	GRID PORCELAIN S/B
<a href="#">10393-K40</a>	SIDE BURNER COVER 1.86
<a href="#">10081-BK630</a>	NAMEPLATE HI BROIL KING BLACK ZINC
<a href="#">10240-15</a>	HINGE PIN SIDE SHELF DROP DOWN
<a href="#">S21237</a>	HINGE PIN SPACER
<a href="#">10110-91</a>	TUBE R/B ASSY COMPR FITTING
<a href="#">10892-15</a>	CASTER 2 1/2 INCH WHEEL KNURLED
<a href="#">S15171</a>	AXLE PLTD 3/8x18 9/16 PED +
<a href="#">S21124</a>	SCREW PHCP #8 X 12 +
<a href="#">PB20-60A</a>	S/B LID HANDLE WAGON ENCLOSER+ W/SCREWS
<a href="#">10390-E10</a>	BURNER SIDE 10BTU W/ELEC #8 +
<a href="#">10342-T14</a>	WIRE ELECTRODE S/B FLAT/ROUND+
<a href="#">10393-R50</a>	SIDE BURNER BODY 2002 +
<a href="#">10239-7</a>	HANDLE GASKET TRIANGULAR 1/8
<a href="#">50416</a>	SMALL DRIP PAN - 10 PACK
<a href="#">02342</a>	control knob; universal

<a href="#">10342-246</a>	IGNITOR ELECTRONIC TRIPLE +
<a href="#">10184-R80</a>	RADIATION SHIELD RAW
<a href="#">S13005A</a>	BURNER TUBULAR W/IGNITION
<a href="#">10696-127</a>	R/B ORIFICE LP
<a href="#">10696-185</a>	R/B ORIFICE NG 1.85MM
<a href="#">10909-T50</a>	CASTING BOTTOM 52M 2002 +
<a href="#">10473-T50</a>	CASTING TOP 52M
<a href="#">10081-BK611</a>	NAMEPLATE REGAL ZINC DIE CAST
<a href="#">10184-K651</a>	SUPPORT CASTING LEFT
<a href="#">Y-11797</a>	BOLT SWING BASKET #D
<a href="#">10184-R581</a>	SHELF SUPPORT LFT BLK(18 INCH)
<a href="#">10184-R591</a>	SHELF SUPPORT RH BLK(18 INCH)
<a href="#">10472-k40</a>	KNOB ROTARY IGNITOR #B
<a href="#">80012</a>	regulator and hose READ ADD. INFO
<a href="#">10342-245</a>	IGNITOR ELECTRONIC DUAL +
<a href="#">10958-E71</a>	PEDESTAL RESIN BASE LRG +
<a href="#">11124</a>	EXACT FIT CAST GRID
<a href="#">10111-K45</a>	HOSE 3/8 INCH ASSEMBLY NG 10 FOOT +
<a href="#">Y-11990</a>	NUT HEX BRASS 3/8 27 RB LINE

# Broil King®

## REDDI-BILT BARBECUES

### ASSEMBLY MANUAL & PARTS LIST

### MANUEL DE MONTAGE & LISTE DE PIÈCES

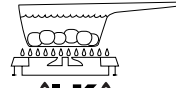
#### Broil King®

REGAL XL 20  
960-24  
960-27



#### Broil King®

REGAL XL 40  
960-44  
960-47



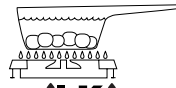
#### Broil King®

REGAL XL 70  
960-74  
960-77



#### Broil King®

REGAL XL 90  
960-94  
960-97



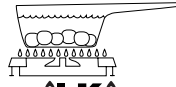
#### Broil King®

IMPERIAL 20  
969-24  
969-27



#### Broil King®

IMPERIAL 40  
969-44  
969-47



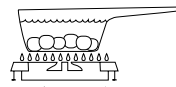
#### Broil King®

IMPERIAL 70  
969-74  
969-77



#### Broil King®

IMPERIAL 90  
969-94  
969-97



RETAIN FOR FUTURE REFERENCE

VEUILLEZ CONSERVER POUR REFERENCE ULTERIEURE

1-800-265-2150

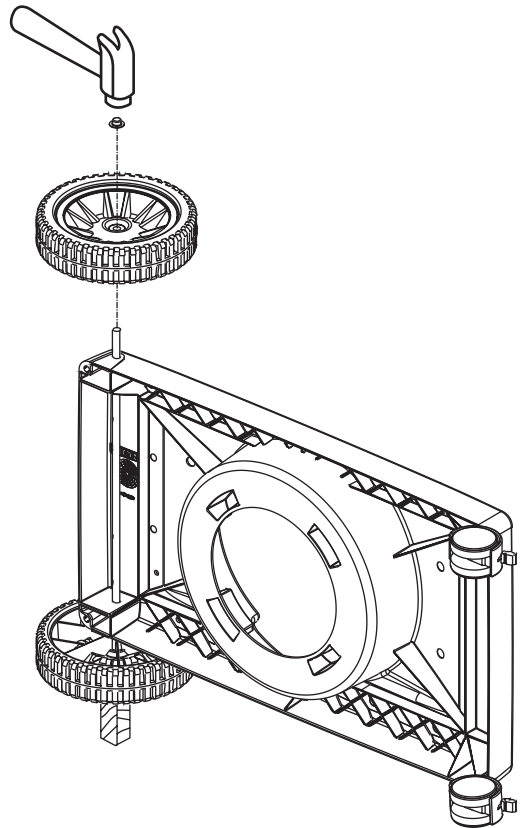
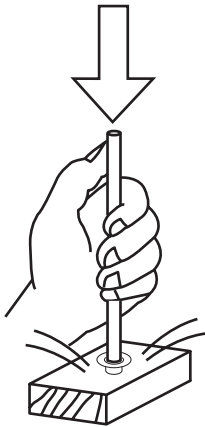
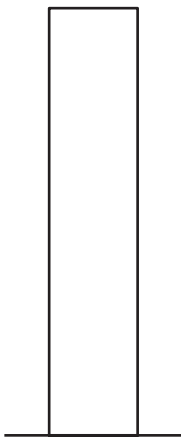
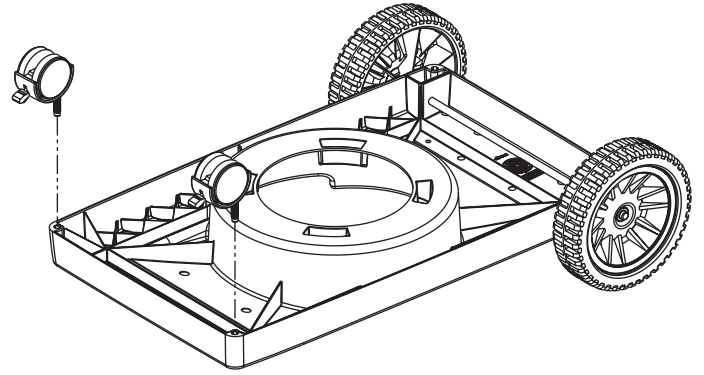
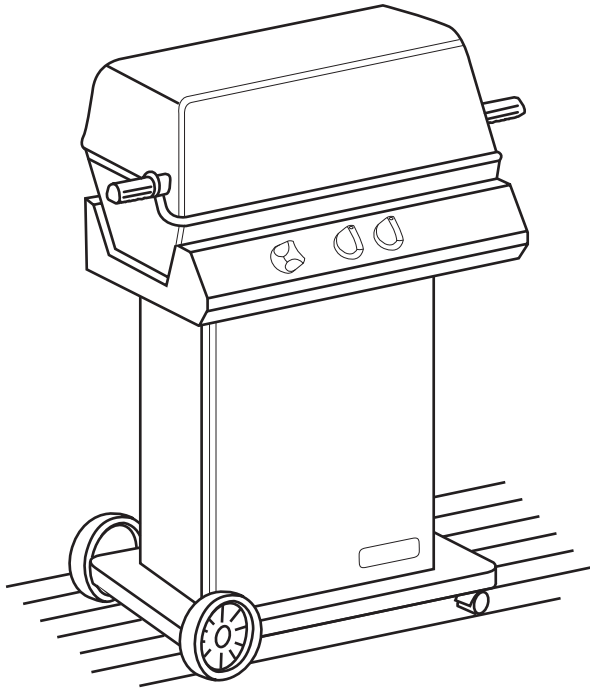
*Onward*  
MANUFACTURING COMPANY  
SINCE 1906  
585 KUMPF DRIVE LIMITED  
WATERLOO, ONTARIO, CANADA  
N2V 1K3

info@omcbbq.com

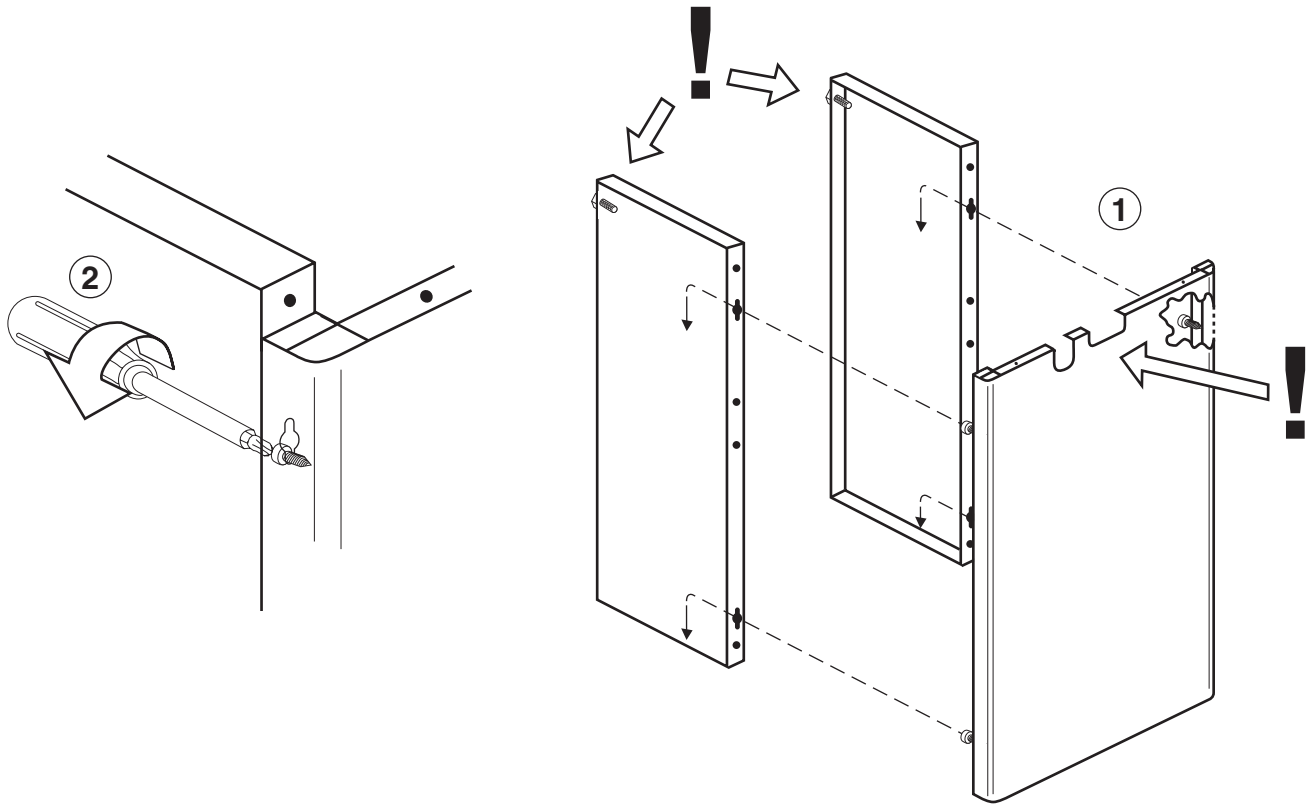
10084-K64 Rev. J 12/04

1


(2)

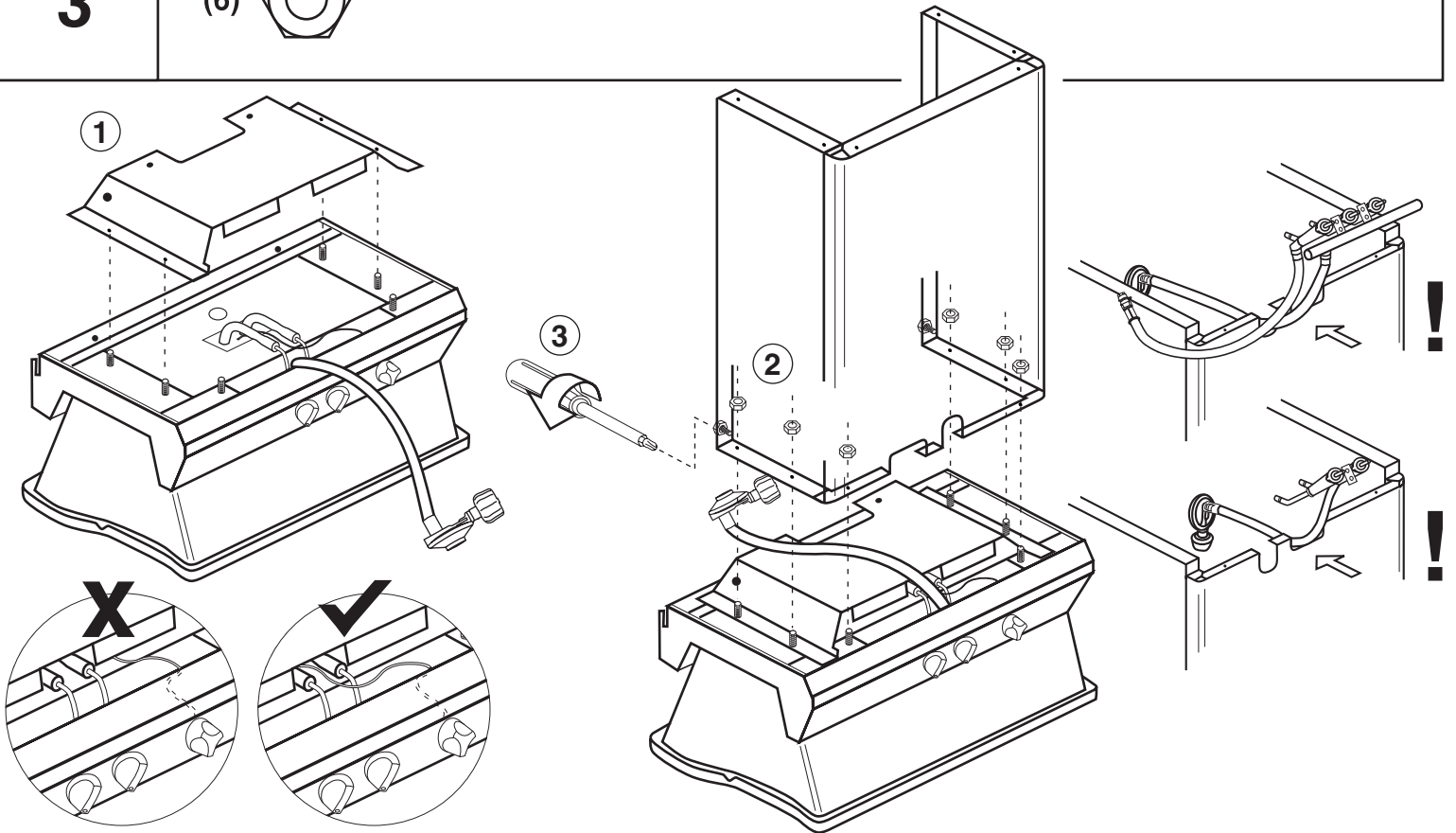


2



3

(6) 

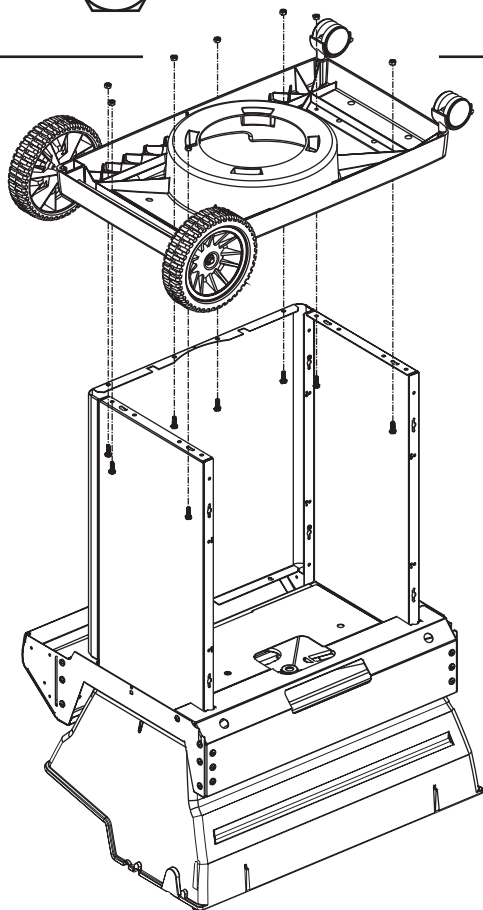


4

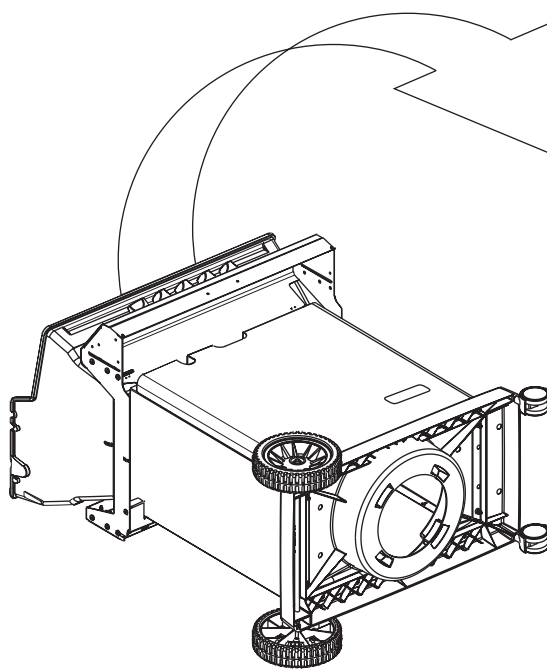
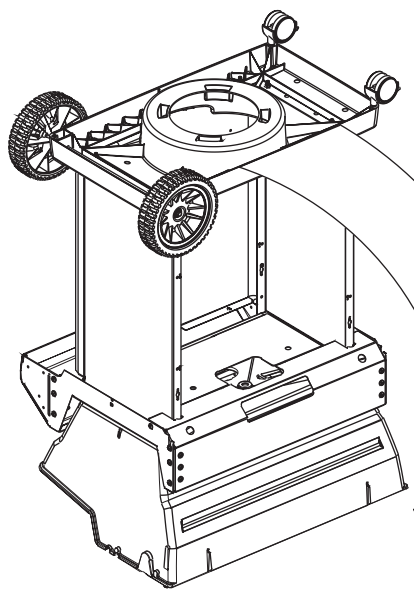
(8)



(8)

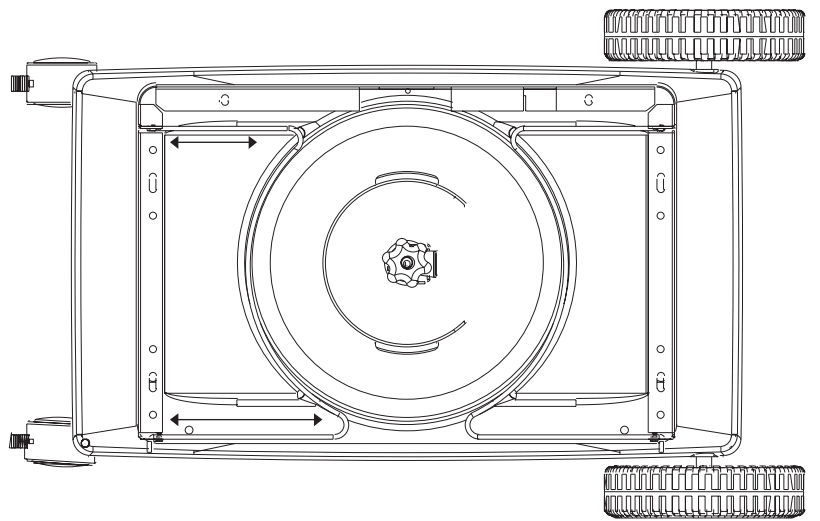
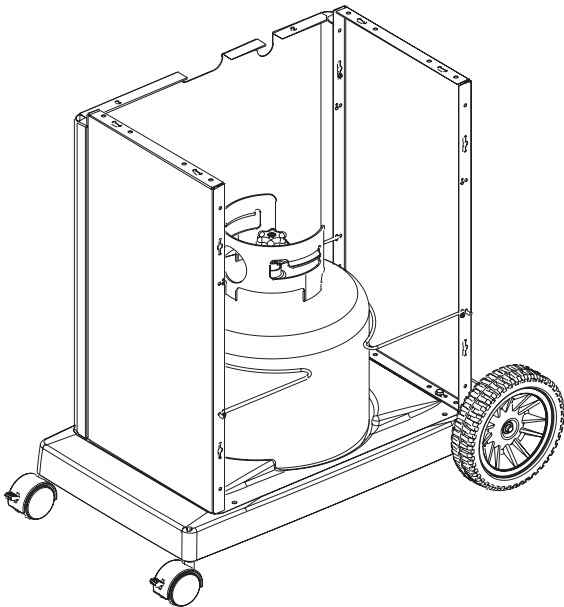
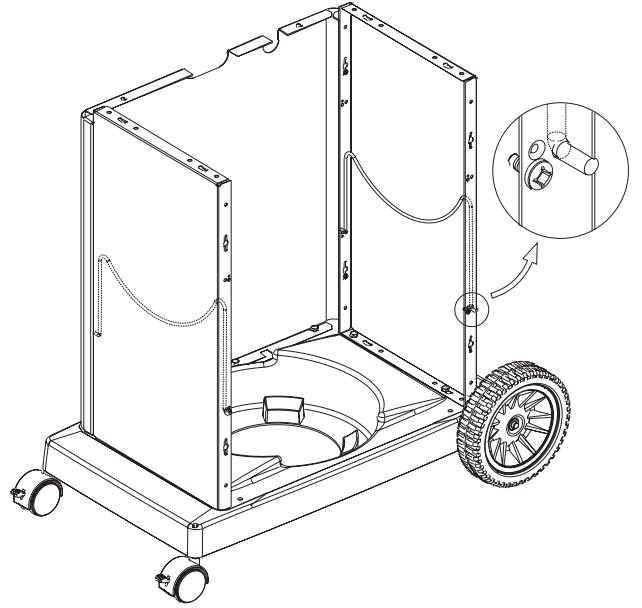
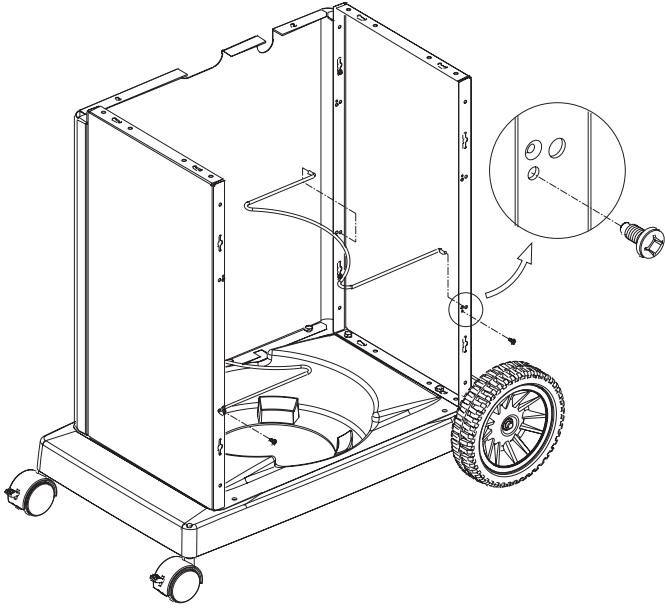


5



6

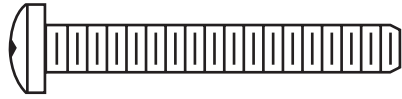
(2) 



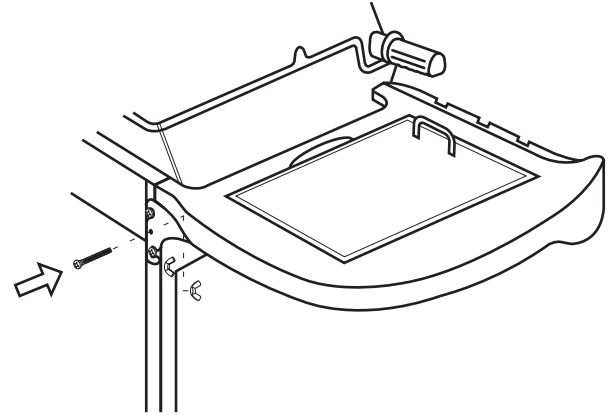
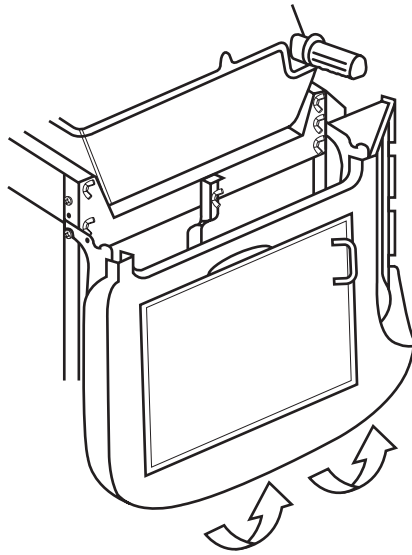
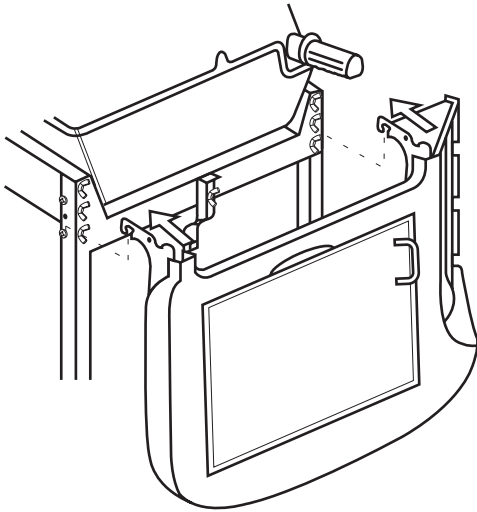
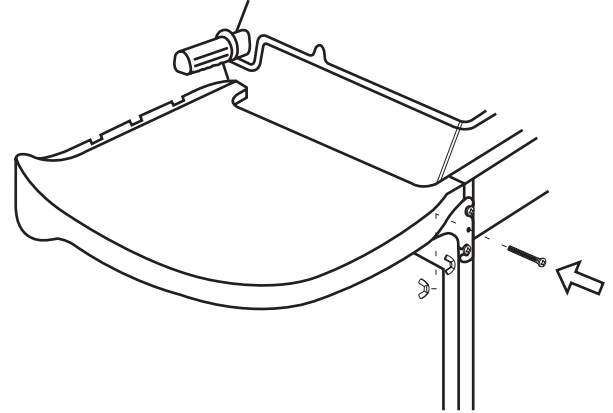
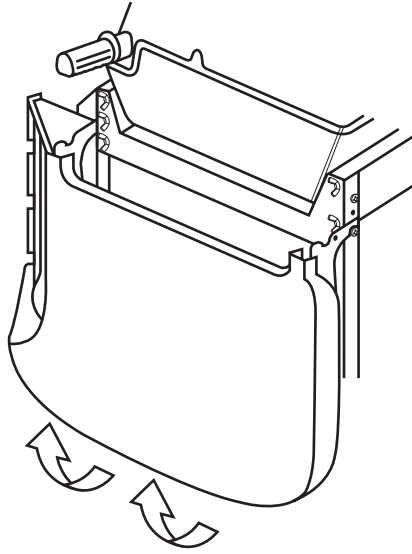
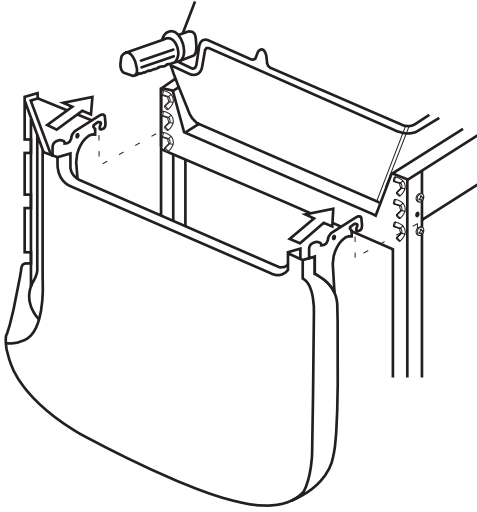


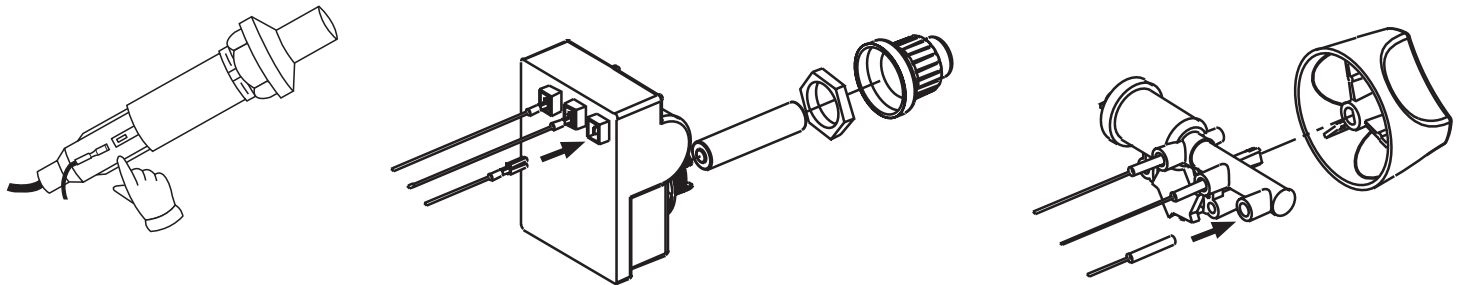
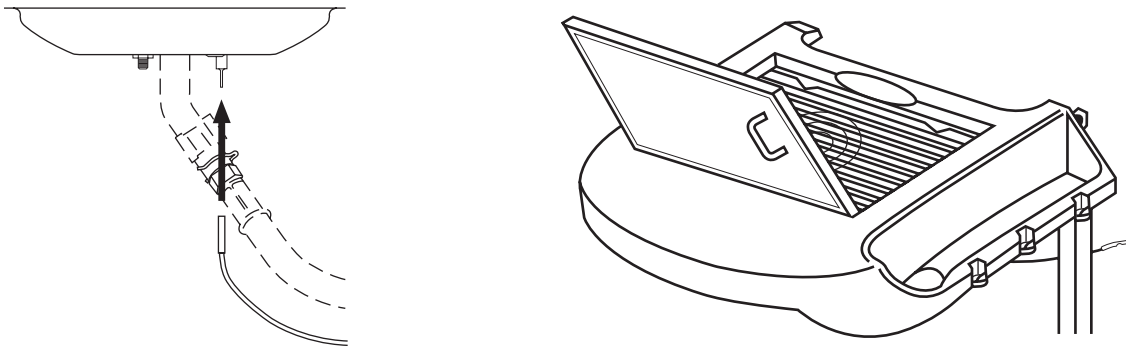
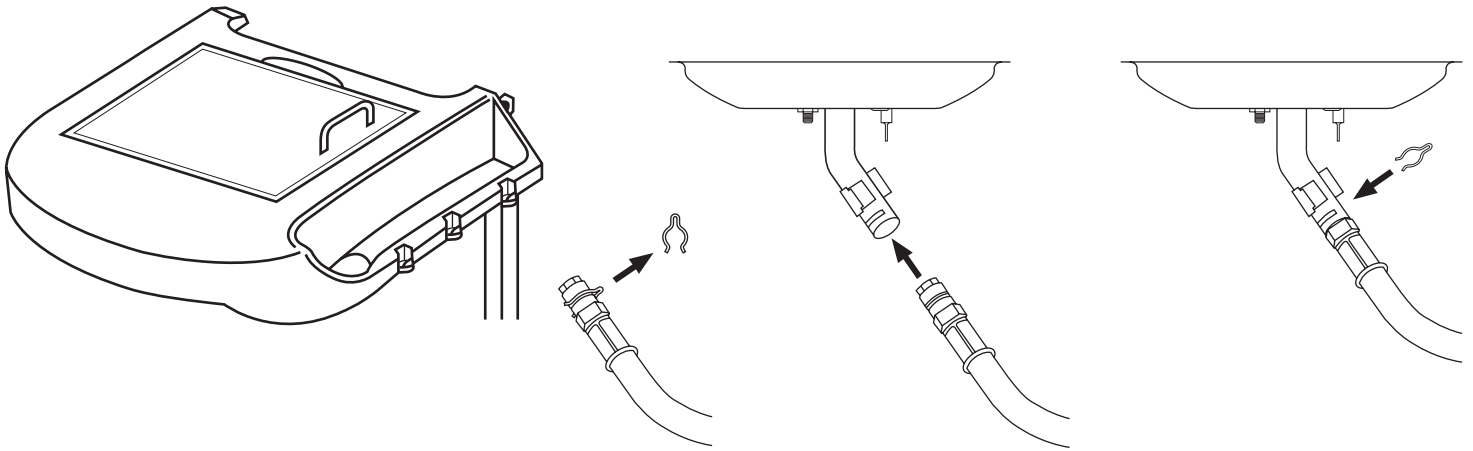
7

(2)



(2)





8

