

This Owner's Manual is provided and hosted by [Appliance Factory Parts](#).



Broil King 5528-4C Owner's Manual

[Shop genuine replacement parts for Broil King 5528-4C](#)



[Find Your Broil King Grill Parts - Select From 1350 Models](#)

----- Manual continues below part list -----

Available Replacement Parts for Broil King 5528-4C

18627GC	BURNER, DUAL 50,000 BTU
18488	FLAV-R-WAVE - 50,000 BTU STAINLESS
S15500	IGNITOR ELECTRODE ASSY H B H BURNER
18013	LARGE PROBE HEAT INDICATOR
10081-BK630	NAMEPLATE HI BROIL KING BLACK ZINC
10240-15	HINGE PIN SIDE SHELF DROP DOWN
10892-15	CASTER 2 1/2 INCH WHEEL KNURLED
S21124	SCREW PHCP #8 X 12 +
PB20-60A	S/B LID HANDLE WAGON ENCLOSER+ W/SCREWS
10390-E10	BURNER SIDE 10BTU W/ELEC #8 +
10342-T14	WIRE ELECTRODE S/B FLAT/ROUND+
10239-7	HANDLE GASKET TRIANGULAR 1/8
Y-12220	S/B BUSHING SB 1.375 16 HEY
50416	SMALL DRIP PAN - 10 PACK
10184-E411	SUPPORT CASTING R BLK
10892-931A	WHEEL 7 INCH GREY WALL
S11426	BOTTOM CASTING R/B + 2500/2700/400/700
S11250	CASTING TOP +
02342	control knob; universal
10225-T09	GRID PORCELAIN ROUND S/B
10184-e78A	END CAP DOOR TOP LHS W/MAGNET
10184-e76	END CAP DOOR BOTTOM LEFT A
10184-e79a	END CAP DOOR TOP RHS W/MAGNET
10184-E401	SUPPORT CASTING L BLK
10184-R80	RADIATION SHIELD RAW
10184-E62	SHELF SUPPORT BRACKET LHS +
10184-E63	SHELF SUPPORT BRACKET RHS +
10958-E81	BASE RESIN CABINET REV A +
10958-E761	PANEL SIDE BLACK +
10958-E901	PANEL REAR BLACK 21 3/4 INCH NEW 2006

10184-E77	END CAP DOOR BOTTOM RIGHT A
10958-e79lw	DOOR SMALL LHS CABINET ASSY +
CG21SS	Cooking Grid Stainlss st Warm Morning G4
80012	regulator and hose READ ADD. INFO
10342-245	IGNITOR ELECTRONIC DUAL +
S12206	WARMING RACK 2500 1998 +
10184-E991	DOOR CATCH BRACKET

Broil King®

REDDI-BILT BARBECUES

ASSEMBLY MANUAL & PARTS LIST

MANUEL DE MONTAGE & LISTE DE PIÈCES



Broil King

SIGNET CLASSIC
5528-4C

RETAIN FOR FUTURE REFERENCE

VEUILLEZ CONSERVER POUR REFERENCE ULTERIEURE

1-800-265-2150

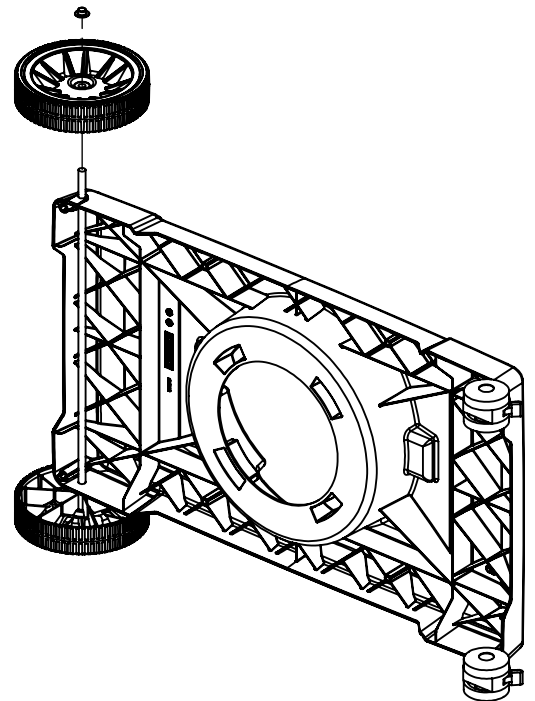
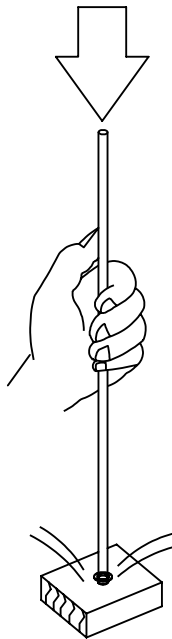
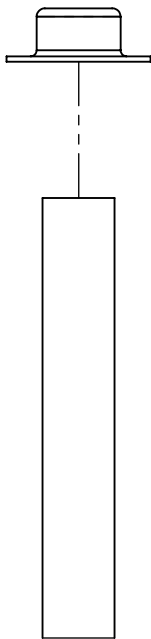
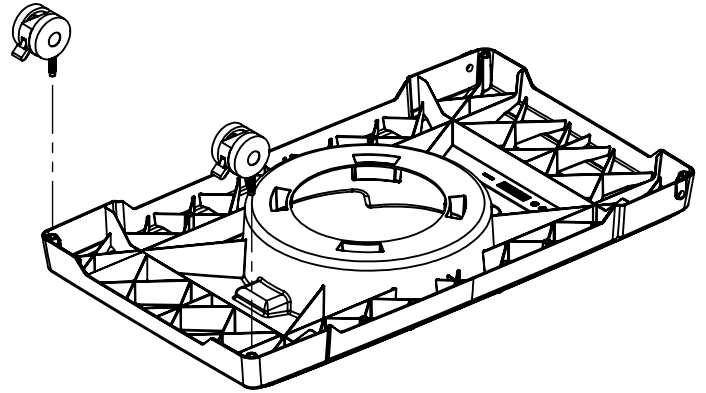
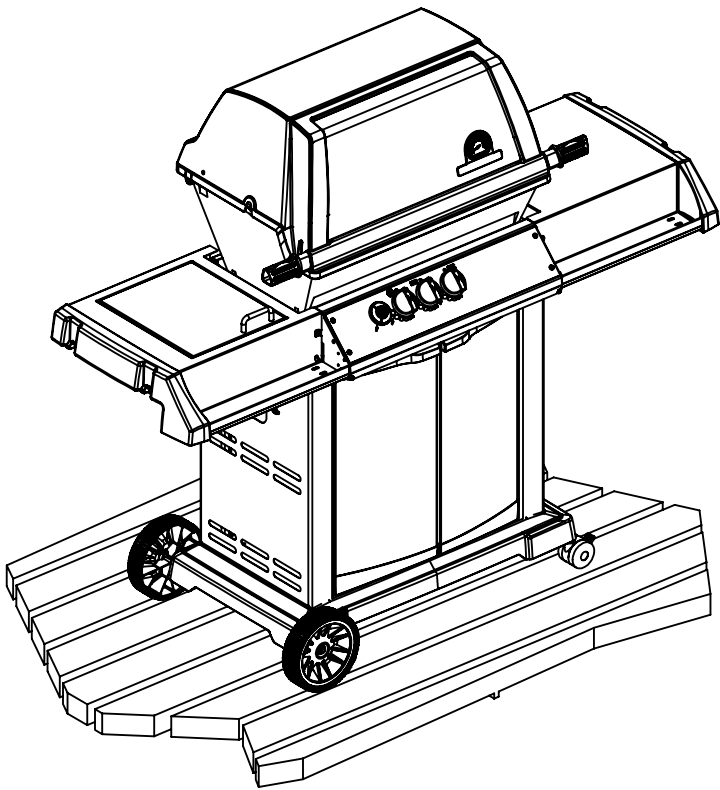
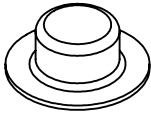
info@omcbbq.com

Onward
MANUFACTURING COMPANY
SINCE 1906
585 KUMPF DRIVE LIMITED
WATERLOO, ONTARIO, CANADA
N2V 1K3

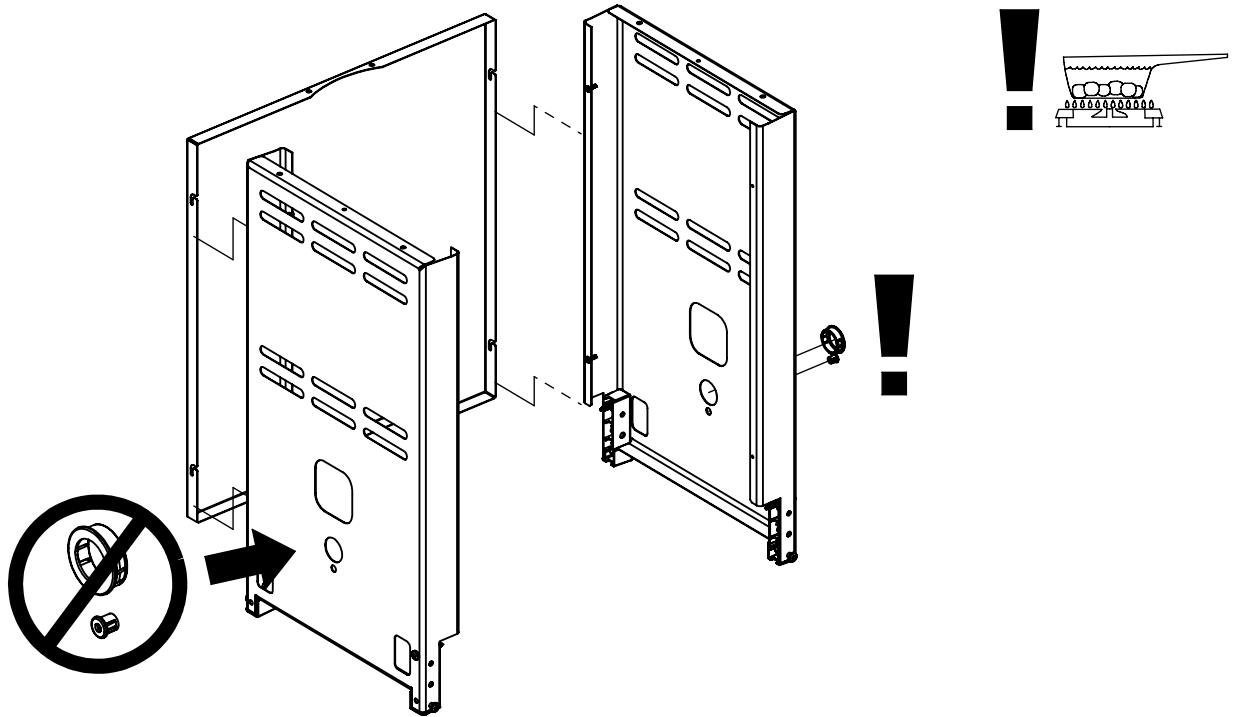
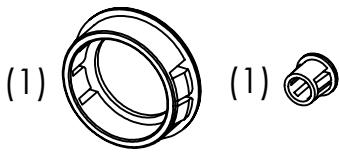
10084-K68 REV C 12/09

1

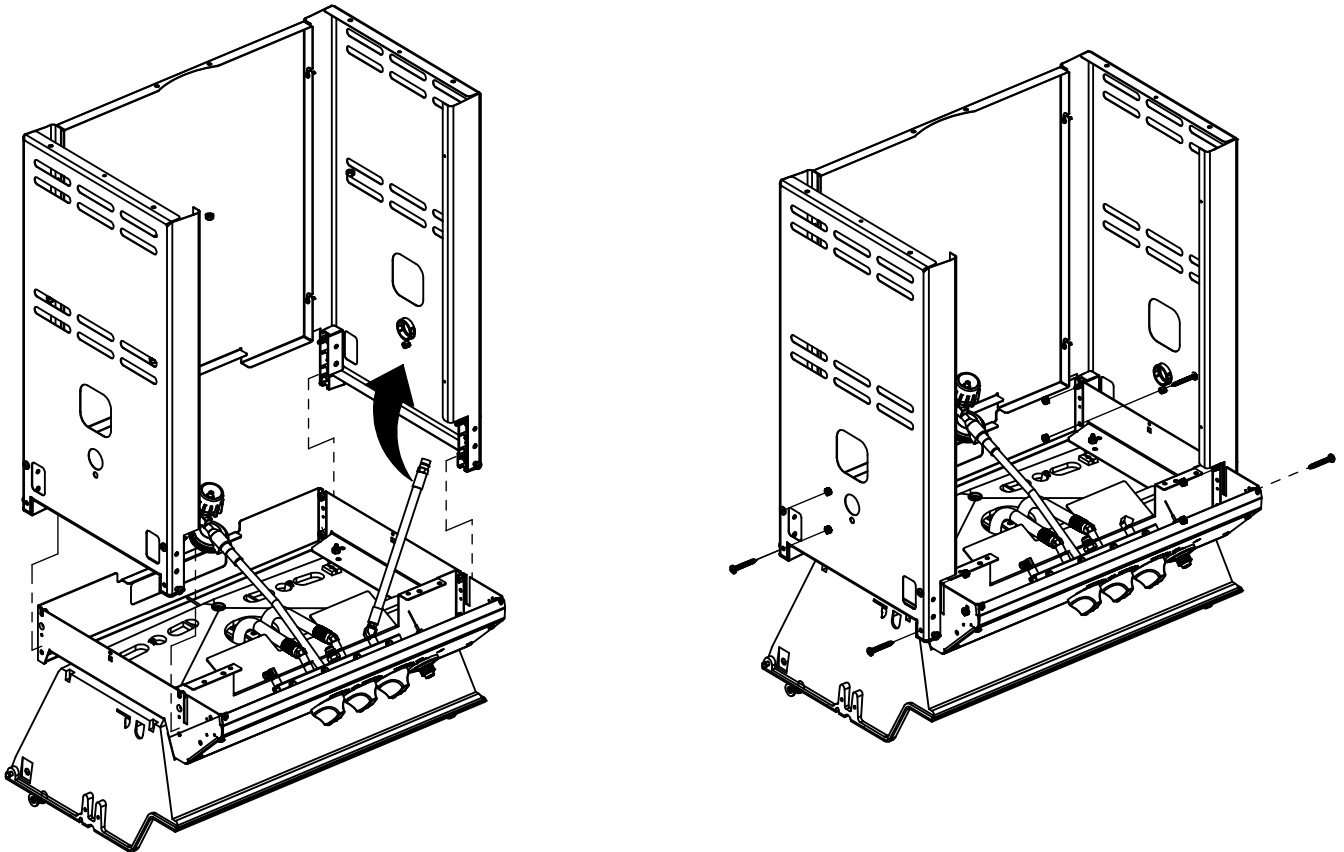
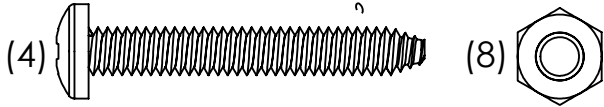
(2)



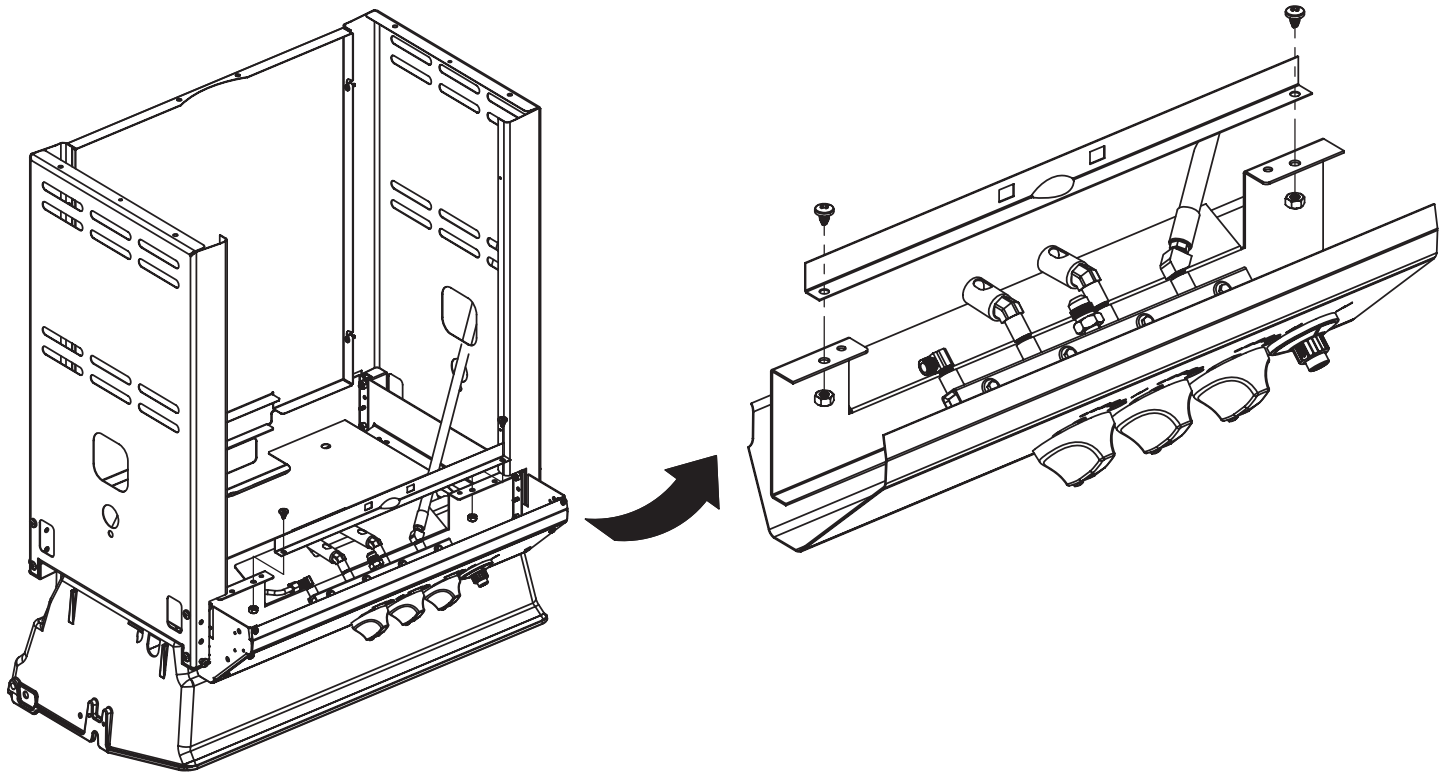
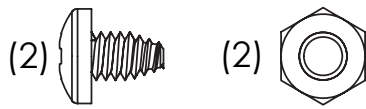
2



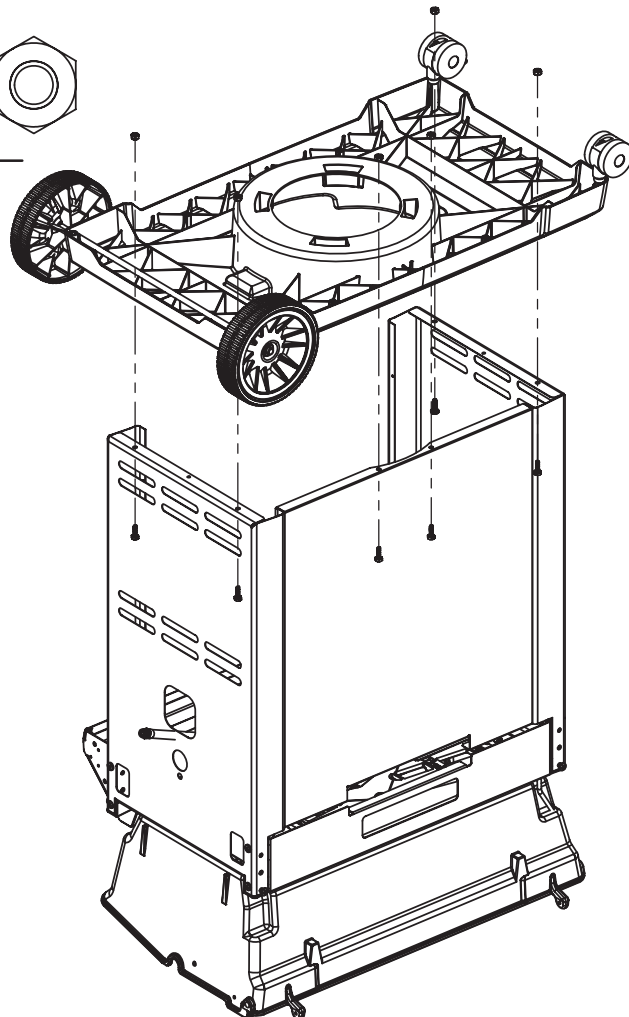
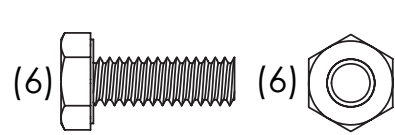
3



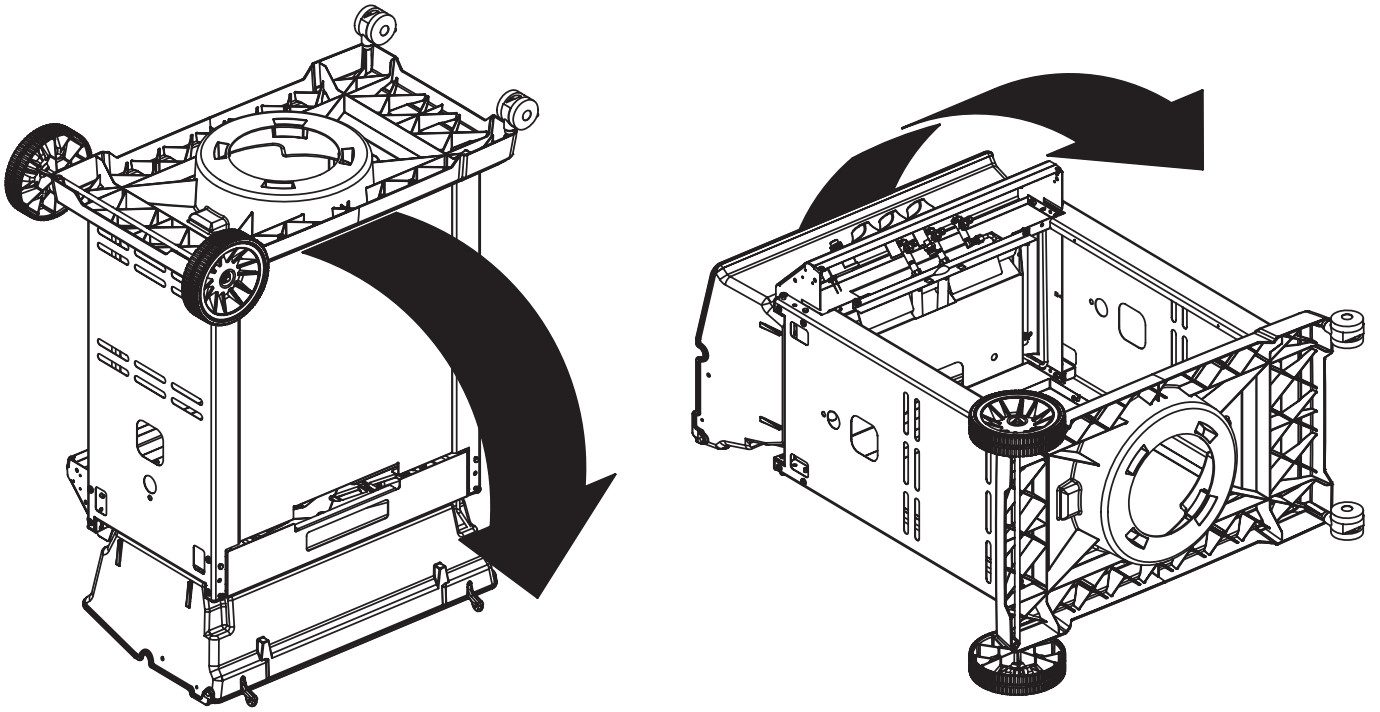
4



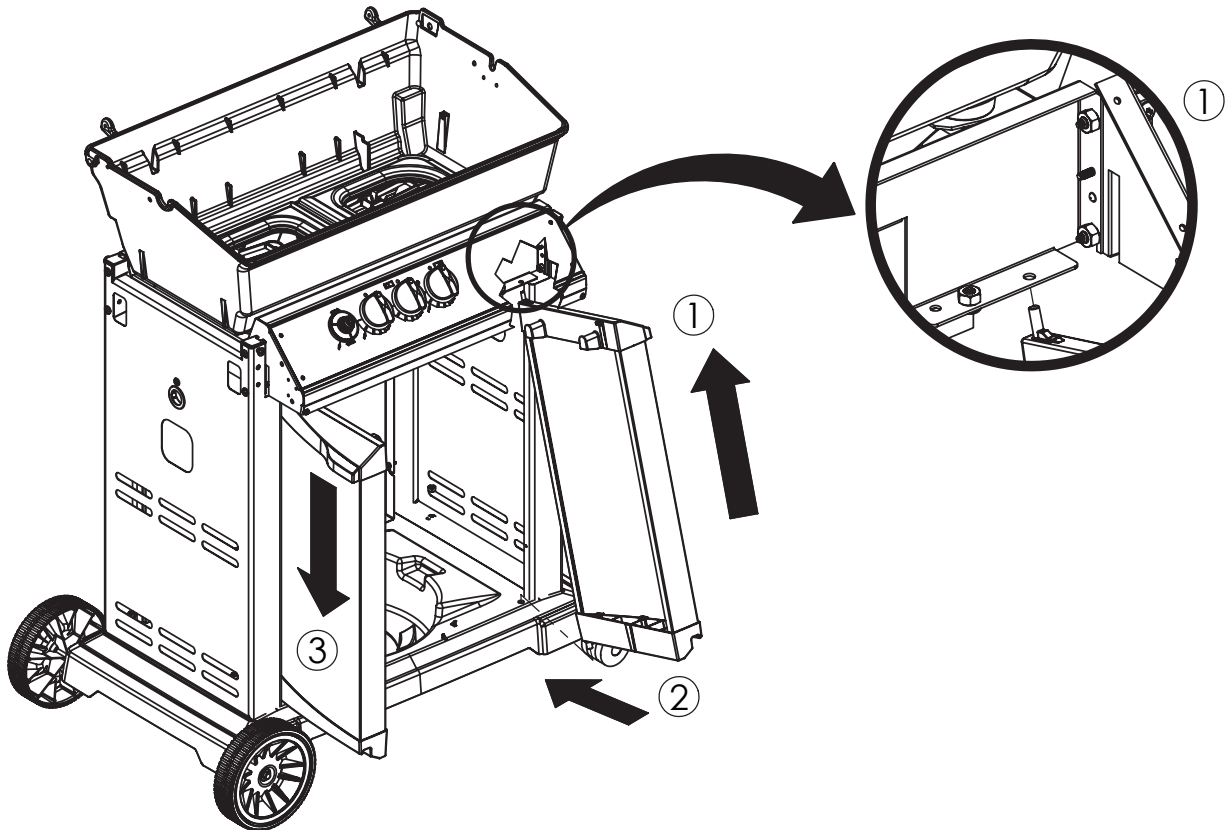
5



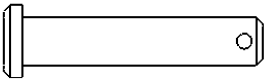
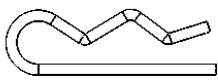
6

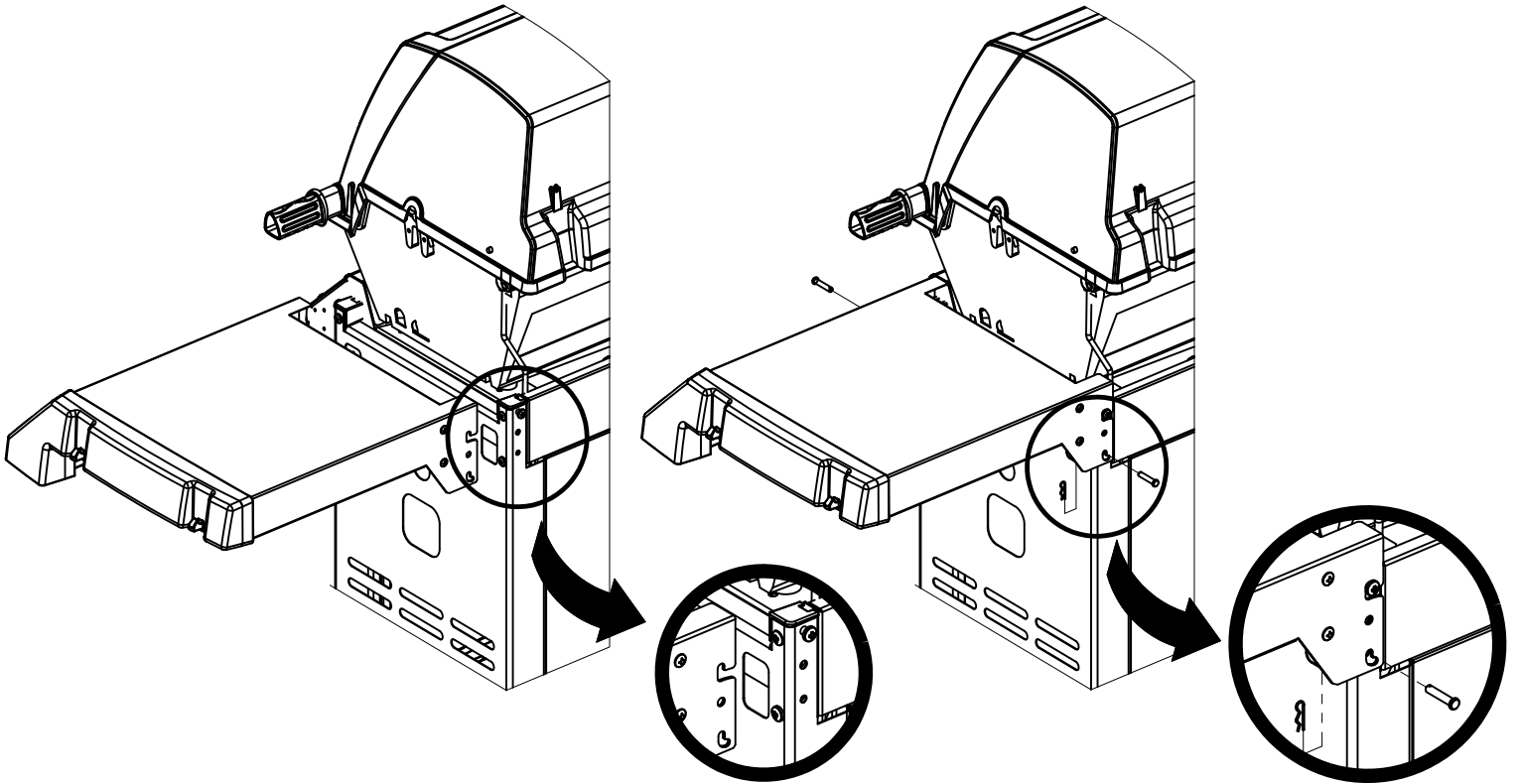


7




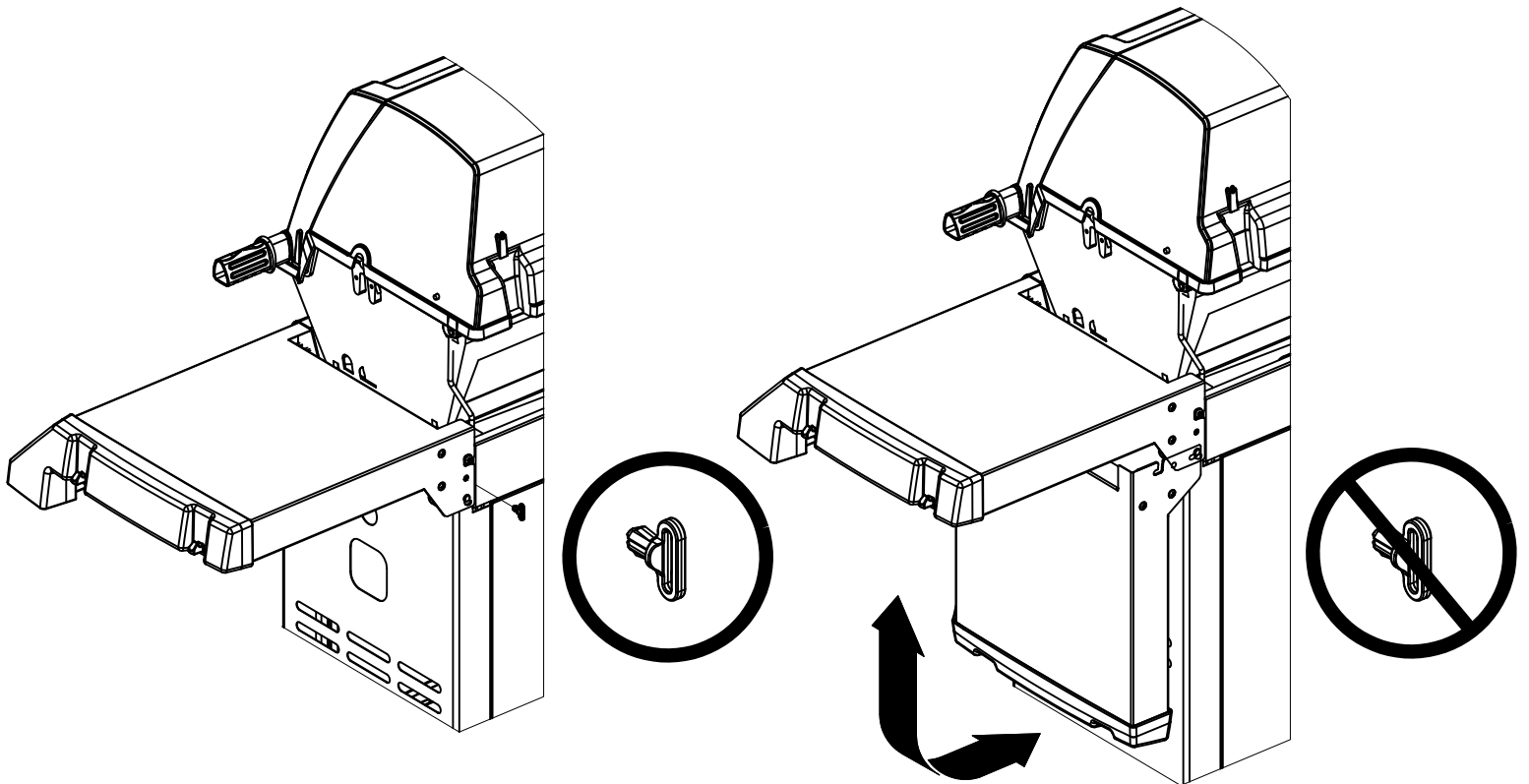
8

(2)  (2) 



9

(1) 

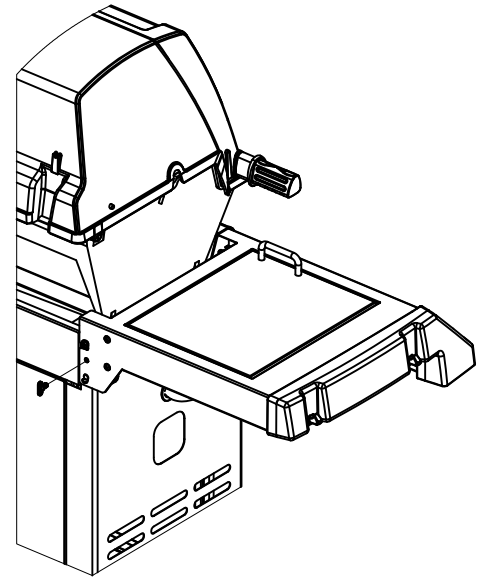
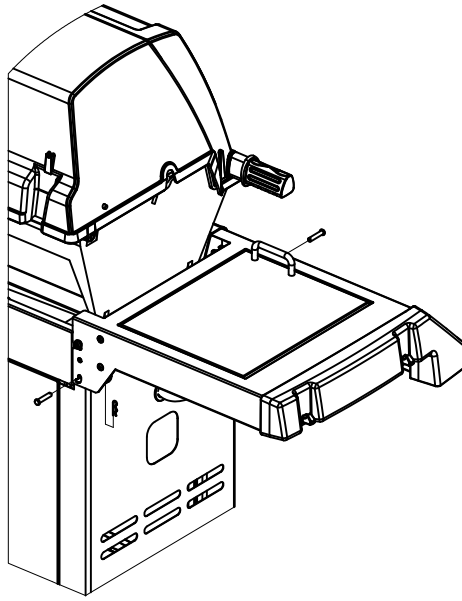
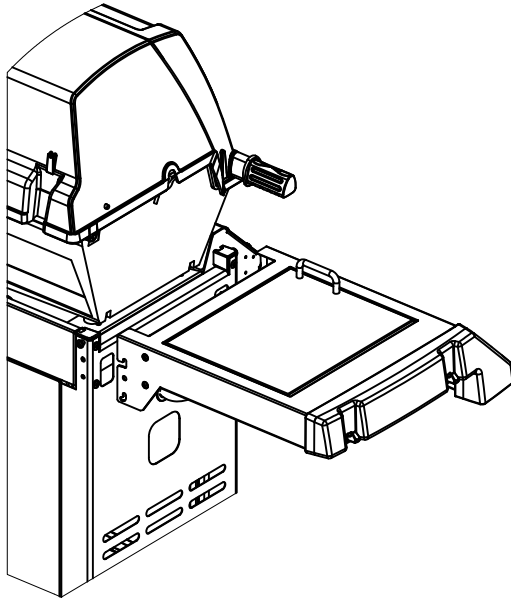
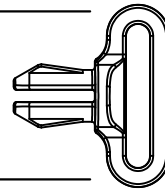


10

(2)

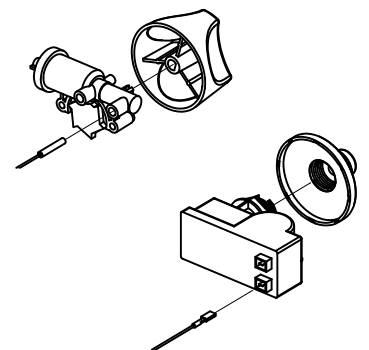
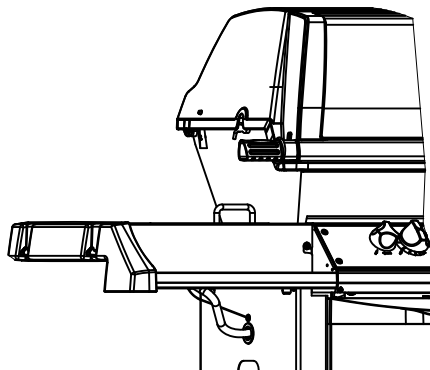
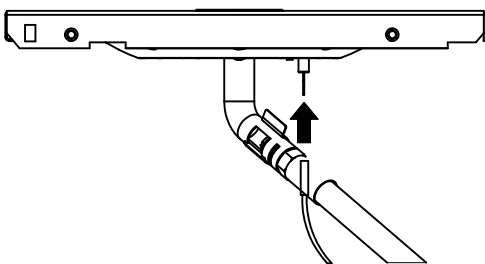
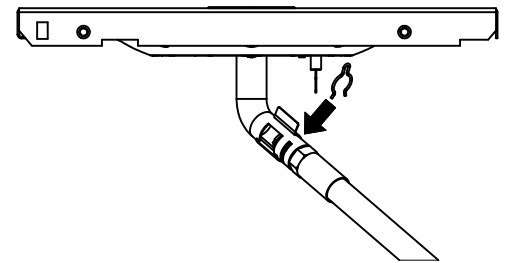
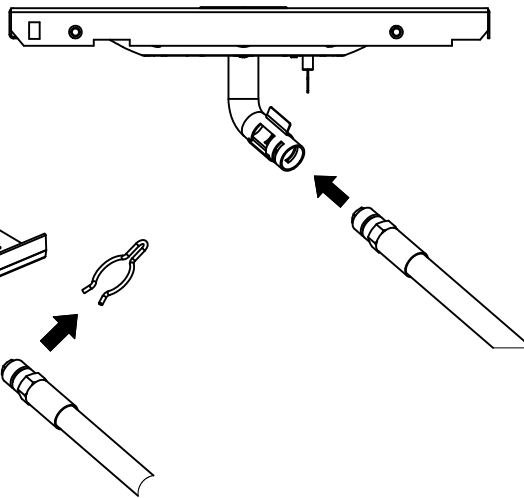
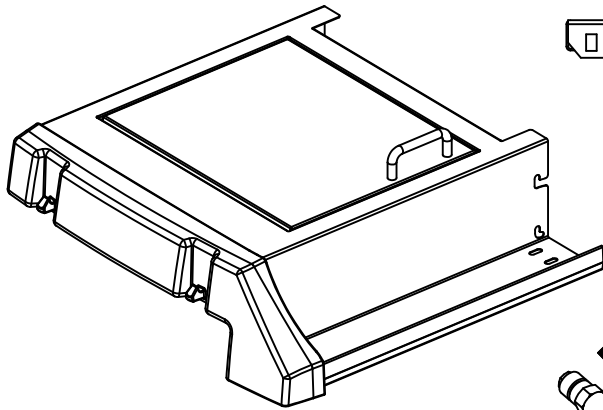
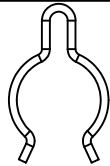
(2)

(1)



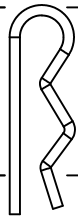
11

(1)

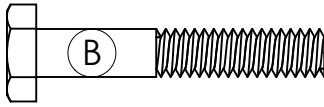


12

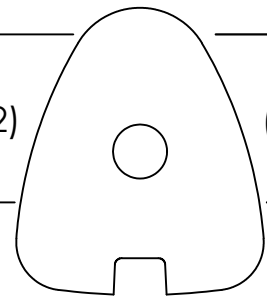
(2) (A) (2)



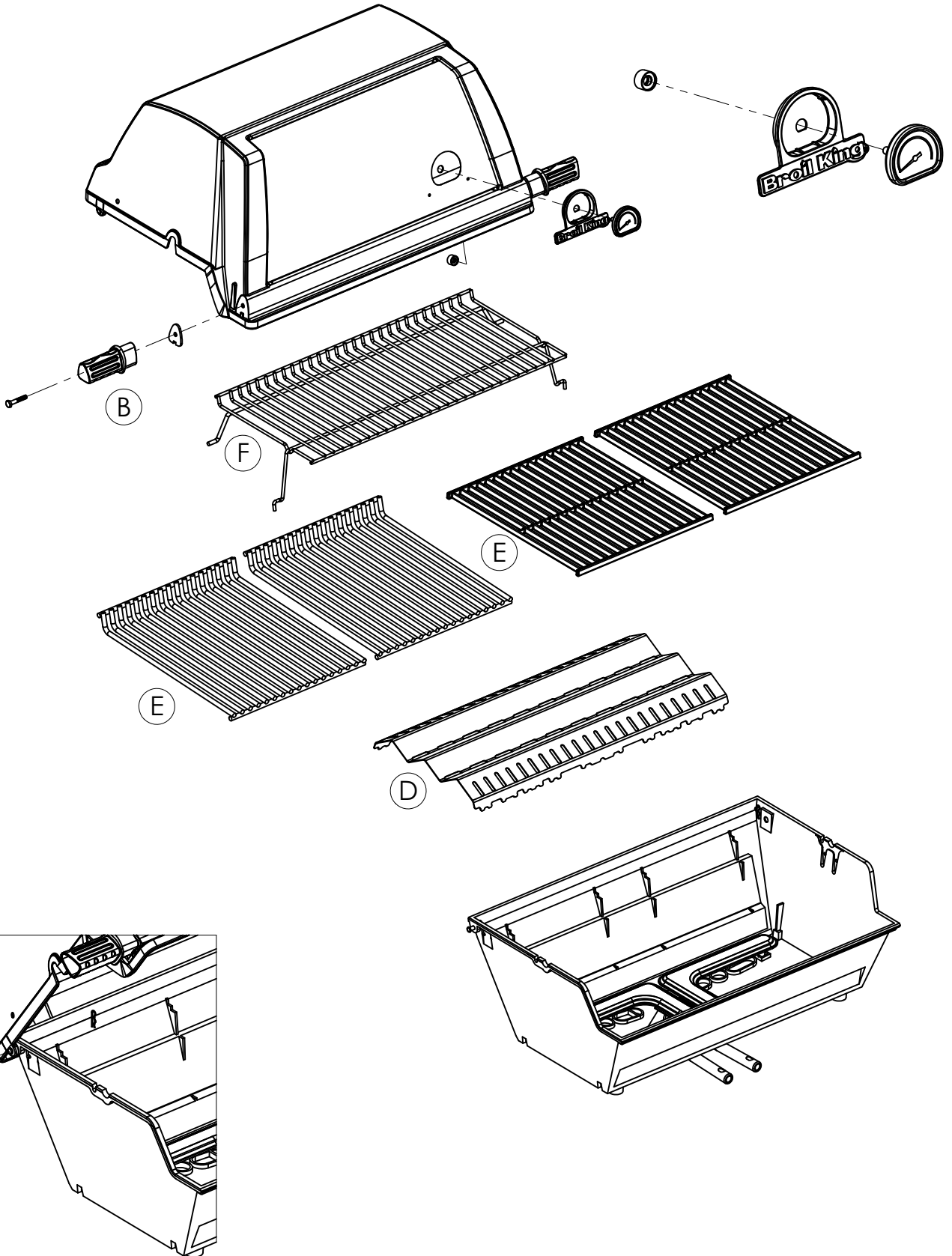
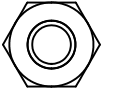
(2)

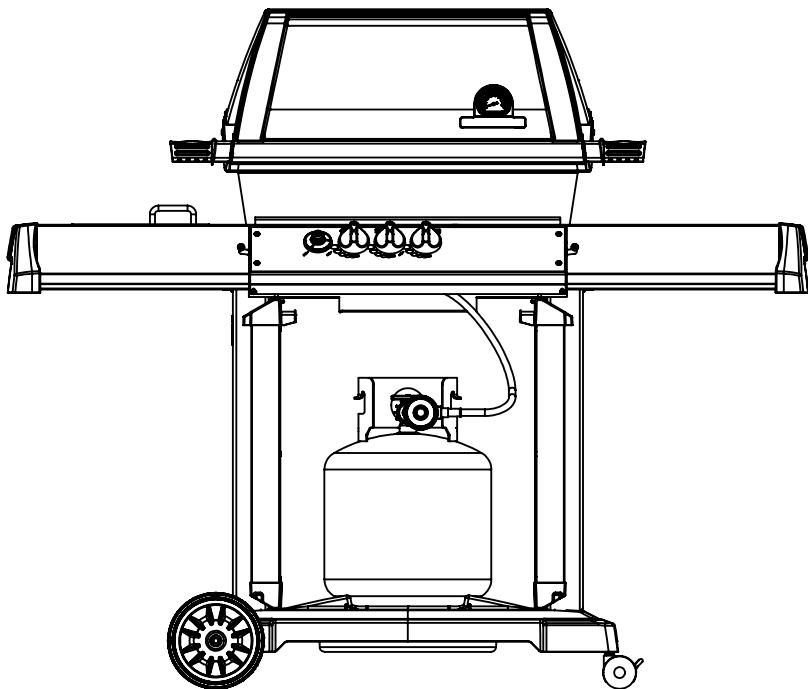
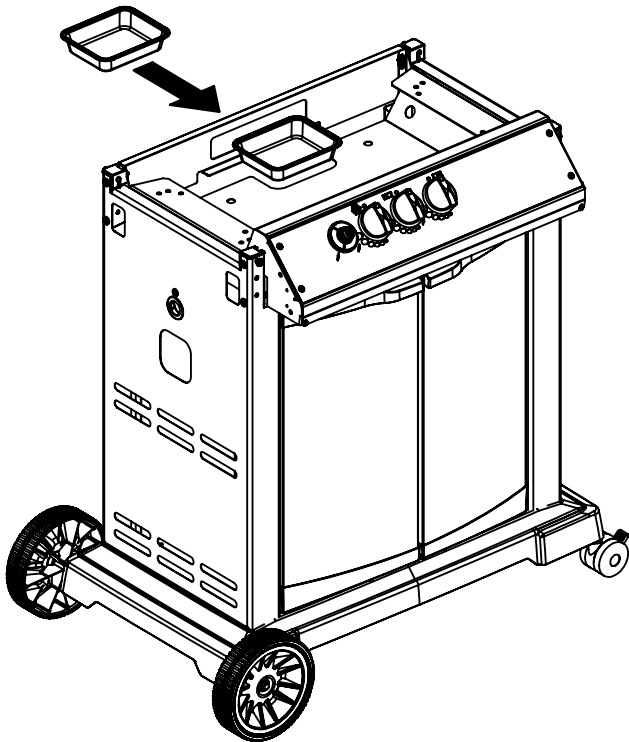


(2)



(2)





PARTS LIST / LISTE DES PIECES

KEY #	ITEM #	DESCRIPTION	DESCRIPTION	5528-4C
1	S11426	CASTING BOTTOM	FOND DU FOYER	1
2	S11250	CASTING TOP	COUVERCLE DU GRIL	1
3	10081-BK603	NAMEPLATE	PLAQUE D'IDENTIFICATION	1
4	10958-K69	TOP CASTING INSERT	PANNEAU DE COUVERCLE	1
5	10571-6	HEAT INDICATOR	INDICATEUR DE CHALEUR	1
6	S21235	HINGE PIN	GOUPILLE DE CHARNIÈRE	2
7	S21233	HITCH PIN CLIP	ATTACHE DE CHEVILLE	6
9	S12024	GRID - S.S.	GRILLE - A.I.	2
10	10222-T425	FLAV-R-WAVE S.S.	FLAV-R-WAVE A.I.	1
11	S12206	GRID - WARMING RACK	GRILLE	1
15	S10017	BURNER/VENTURI ASSY	ENSEMBLE DE BRULEUR	1
17	10342-245	ELECTRONIC IGNITOR	ALLUMAGE ÉLECTRONIQUE	1
18	S15500	ELECTRODE	ELECTRODE	1
21	10442-T52	CONTROL ASSY LP-3V	SOUPAPE, (GAZ PROPANE)	1
21A.	S13467-091	HOSE-SIDE BURNER LP	TUYAU DU BRULEUR LATERAL PL	1
	Y-11230	COTTER PIN	ATTACHE DE CHEVILLE	1
22	10114-20	HOSE & REGULATOR LP - QCC1	TUYAU ET REGULATEUR PL - QCC1	1
23	10472-K37	CONTROL KNOB	BOUTON DE CONTROLE	3
31	10194-E55S	CONTROL COVER	PANNEAU DE CONTROLE	1
33	10184-R80	RADIATION SHIELD	ÉCRAN DE CHALEUR	1
35	10184-E401	SUPPORT-CASTING-LEFT	SUPPORT GAUCHE DU FOYER	1
36	10184-E411	SUPPORT-CASTING-RIGHT	SUPPORT DROIT DU FOYER	1
37	10184-E5	SUPPORT-SIDE SHELF	SUPPORT TABLETTE	2
37A	10184-E63	SUPPORT SIDE SHELF - LEFT	SUPPORT TABLETTE DE GAUCHE	2
38A	10184-E62	SUPPORT SIDE SHELF - RIGHT	SUPPORT TABLETTE DE DROIT	2
39	10956-E561	BRACE-REAR	SUPPORT ARRIERE	1
40	10958-E81	BASE	TABLETTE INFERIEURE	1
41	10956-E571	BRACE-FRONT	SUPPORT AVANT	1
42	10958-E79	DOOR	PORTE	2
43	10958-E761	SIDE PANEL BLK	PANNEAU LATERALE	2
44	10958-E901	PANEL - REAR	PANNEAU - ARRIÈRE	1
45	10184-E801	BRACKET - DOOR CATCH	PARENTHÈSE - CROCHET DE PORTE	1
50	10711-E51	SHELF - SIDE - RIGHT	PLANCHETTE LATERALE – DROITE	1
50A	10711-E512	SHELF END CAP - RIGHT	CAPUCHON D'EXTREMITE POUR TABLETTE - DROITE	1
51	10711-E52	SHELF - SIDE - LEFT	PLANCHETTE LATERALE – GAUCHE	•
	10711-E53	SHELF - SIDEBURNER	PLANCHETTE LATERALE	1
51A	10711-E522	SHELF END CAP - LEFT	CAPUCHON D'EXTREMITE POUR TABLETTE - GAUCHE	1
52	10184-E78	DOOR - TOP CAP - LEFT	PORTE - DESSUS - GAUCHE	1
53	10184-E76	DOOR - BOTTOM CAP - LEFT	PORTE - LE FOND - GAUCHE	1
54	10184-E79	DOOR - TOP CAP - RIGHT	PORTE - DESSUS - DROITE	1
55	10184-E77	DOOR - BOTTOM CAP - RIGHT	PORTE - LE FOND - DROITE	1
56	10892-7	WHEEL	ROUE	2
72	S21420	PUSH NUT	POUSSE ECROU	2
74	Y-6616	BOLT 1/4-20 X 1 1/2	BOULON – 1/4-20 X 1 1/2	2
75	10338-145	HANDLE	POIGNEE	2
76	10239-7	WASHER-HANDLE	RONDELLE DE LA POIGNEE	2
78	10892-15	CASTOR	ROULETTES	2
79	Y-11561	BOLT – 1/4:20 x 1 3/4	BOULON – 1/4:20 X 1 3/4	8
80	Y-11546	SCREW- 1/4-20 X 5/8	VIS – 1/4-20 X 5/8	4
81	Y-11545	SCREW – 1/4-20 X 1 3/8	VIS – 1/4-20 X 1 3/8	4
82	Y-12673	SHELF - LOCK PIN	ÉTAGÈRE - GOUPILLE DE SERRURE	2
82A	Y-12855	BOLT- 1/4-20 X 3/8	BOULON – 1/4-20 X 3/8	2
83	S21014	BOLT- 1/4-20 X 3/4	BOULON – 1/4-20 X 3/4	6
85	10240-15	HINGE PIN	ATTACHE DE CHEVILLE	4
87	Y-11793	NUT- 1/4-20	ECROU – 1/4-20	22
97	Y-12642	SCREW – 8 X 1/2 - S.S.	VIS - 8 X 1/2 - A.I.	4
98	S21124	SCREW – 8 X 1/2	VIS - 8 X 1/2	22
98A	Y-12643	SCREW – 8 X 1/2	VIS - 8 X 1/2	12
99	Y-12646	SCREW – SHOULDER 8 X 1/2	VIS - 8 X 1/2	2
104	Y-12835	SCREW – 6-32 X 1/4	VIS – 6-32 X 1/4	2
105	Y-29307	NUT – 10-24	ECROU – 10-24	4
108	PB20-60	LID HANDLE	POIGNEE	1
109	S21136	SCREW – 8-32 X 3/8	VIS – 8-32 X 3/8	3

PARTS LIST / LISTE DES PIECES

<u>KEY #</u>	<u>ITEM #</u>	<u>DESCRIPTION</u>	<u>DESCRIPTION</u>	<u>5528-4C</u>
110	10225-T09	GRID	GRILLE	1
111	10390-E10	SIDE BURNER	BRULEUR DE COTE	1
113	10342-T14	ELECTRODE - SIDE BURNER	ELECTRODE - BRULEUR DE COTE	1
114	10393-E50	COVER-SIDE BURNER	COUVERCLE LATÉRAL	1
115	Y-29304S	SCREW - 10-24 X 3/8 - S.S.	VIS- 10-24 X 3/8 - A.I.	4
116	Y-29304	SCREW - 10-24 X 3/8	VIS- 10-24 X 3/8	4
117	10393-E62	SHELF-SIDE BURNER	SUPPORT DE BRULEUR DE COTE	1
123	S15115	GREASE PAN - DISPOSABLE	CUVETTE A GRAISSE	2
125	Y-12220	BUSHING	DOUILLE	1
126	Y-12848	BOLT - 10:24 x 3/8	BOULON - 10:24 x 3/8	4
127	Y-12083	LOCK NUT - 10:24	ECROU DE SERRURE	4
135	Y-12119	3/8 HEYCO BUSHING	DOUILLE DE 3/8 HEYCO	1

