

This Owner's Manual is provided and hosted by [Appliance Factory Parts](#).



# Broil King 5528-4CM Owner's Manual

[Shop genuine replacement parts for Broil King  
5528-4CM](#)



[Find Your Broil King Grill Parts - Select From 1350 Models](#)

----- Manual continues below part list -----

## Available Replacement Parts for Broil King 5528-4CM

<a href="#">18627GC</a>	BURNER, DUAL 50,000 BTU
<a href="#">18488</a>	FLAV-R-WAVE - 50,000 BTU STAINLESS
<a href="#">S15500</a>	IGNITOR ELECTRODE ASSY H B H BURNER
<a href="#">18013</a>	LARGE PROBE HEAT INDICATOR
<a href="#">10081-BK630</a>	NAMEPLATE HI BROIL KING BLACK ZINC
<a href="#">10240-15</a>	HINGE PIN SIDE SHELF DROP DOWN
<a href="#">10892-15</a>	CASTER 2 1/2 INCH WHEEL KNURLED
<a href="#">S21124</a>	SCREW PHCP #8 X 12 +
<a href="#">PB20-60A</a>	S/B LID HANDLE WAGON ENCLOSER+ W/SCREWS
<a href="#">10390-E10</a>	BURNER SIDE 10BTU W/ELEC #8 +
<a href="#">10342-T14</a>	WIRE ELECTRODE S/B FLAT/ROUND+
<a href="#">10239-7</a>	HANDLE GASKET TRIANGULAR 1/8
<a href="#">Y-12220</a>	S/B BUSHING SB 1.375 16 HEY
<a href="#">50416</a>	SMALL DRIP PAN - 10 PACK
<a href="#">10184-E411</a>	SUPPORT CASTING R BLK
<a href="#">10184-E461</a>	SHELF SUPPORT LHS BLK
<a href="#">S11426</a>	BOTTOM CASTING R/B + 2500/2700/400/700
<a href="#">S11250</a>	CASTING TOP +
<a href="#">02342</a>	control knob; universal
<a href="#">10225-T09</a>	GRID PORCELAIN ROUND S/B
<a href="#">10184-e78A</a>	END CAP DOOR TOP LHS W/MAGNET
<a href="#">10184-e76</a>	END CAP DOOR BOTTOM LEFT A
<a href="#">10184-e79a</a>	END CAP DOOR TOP RHS W/MAGNET
<a href="#">10184-E401</a>	SUPPORT CASTING L BLK
<a href="#">10184-R80</a>	RADIATION SHIELD RAW
<a href="#">10184-E62</a>	SHELF SUPPORT BRACKET LHS +
<a href="#">10184-E63</a>	SHELF SUPPORT BRACKET RHS +
<a href="#">10958-E761</a>	PANEL SIDE BLACK +
<a href="#">10958-E901</a>	PANEL REAR BLACK 21 3/4 INCH NEW 2006
<a href="#">10184-E77</a>	END CAP DOOR BOTTOM RIGHT A

<a href="#">10711-E563</a>	SHELF SB EZ-BILT W/O BRACKET
<a href="#">10958-e79lw</a>	DOOR SMALL LHS CABINET ASSY +
<a href="#">CG21SS</a>	Cooking Grid Stainlss st Warm Morning G4
<a href="#">80012</a>	regulator and hose READ ADD. INFO
<a href="#">10342-245</a>	IGNITOR ELECTRONIC DUAL +
<a href="#">S12206</a>	WARMING RACK 2500 1998 +
<a href="#">10184-E991</a>	DOOR CATCH BRACKET
<a href="#">10111-K45</a>	HOSE 3/8 INCH ASSEMBLY NG 10 FOOT +

# Broil King®

## REDDI-BILT BARBECUES

ASSEMBLY MANUAL & PARTS LIST

MANUEL DE MONTAGE & LISTE DE PIÈCES



**Broil King**

SIGNET CLASSIC  
5528-4CM  
5528-7CM

RETAIN FOR FUTURE REFERENCE

VEUILLEZ CONSERVER POUR REFERENCE ULTERIEURE

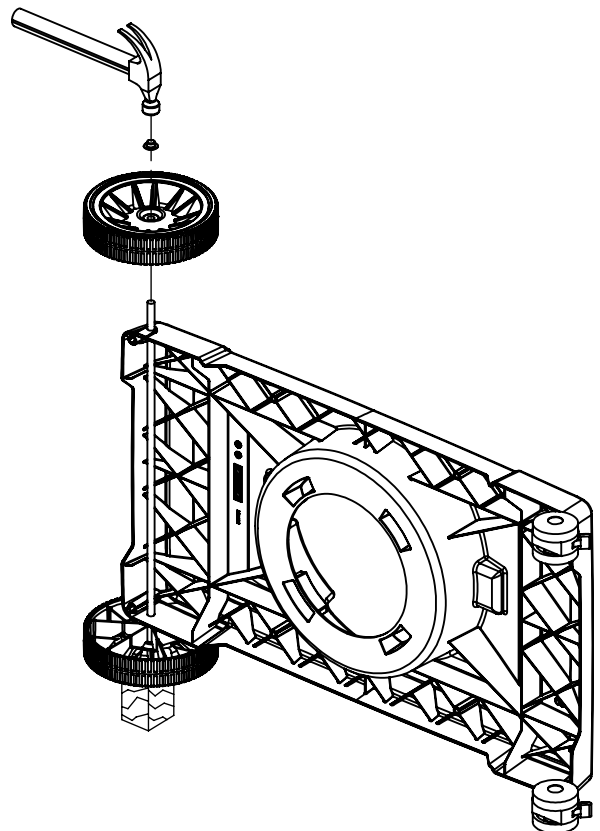
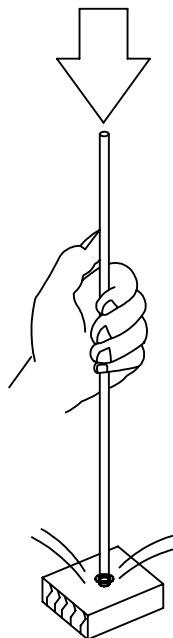
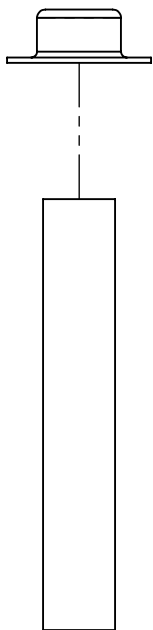
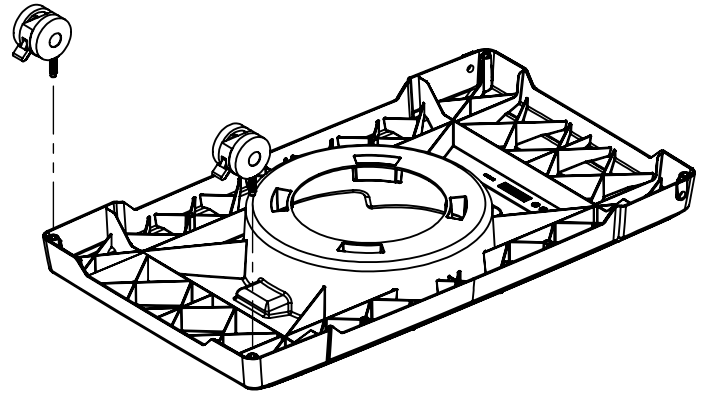
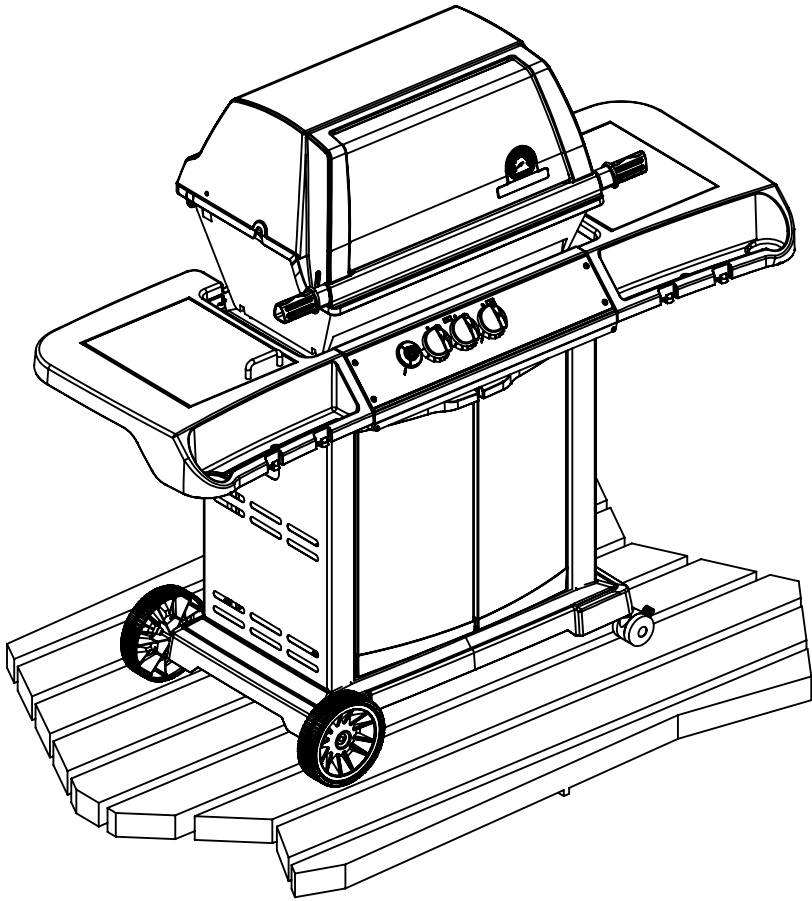
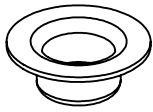
1-800-265-2150

[info@omcbbq.com](mailto:info@omcbbq.com)

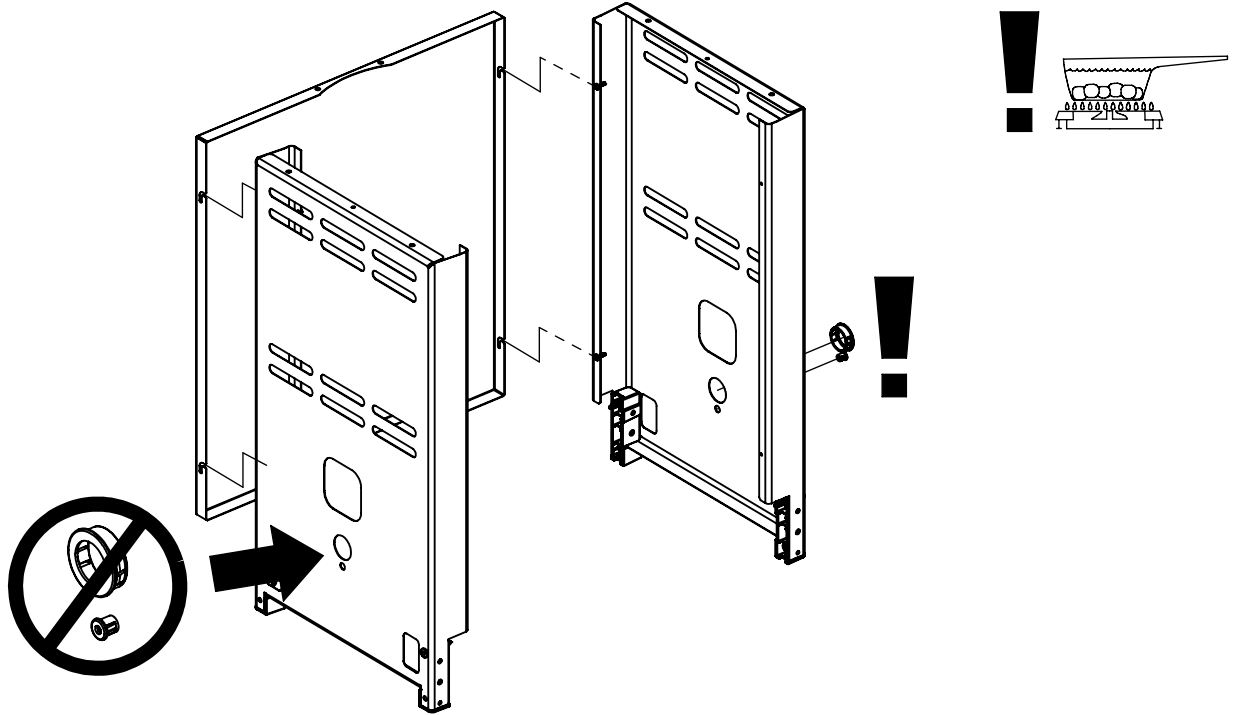
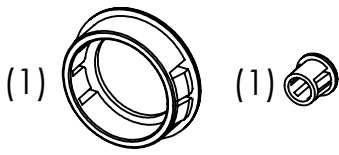
*Onward*  
MANUFACTURING COMPANY  
SINCE 1906  
585 KUMPF DRIVE LIMITED  
WATERLOO, ONTARIO, CANADA  
N2V 1K3

10084-K67 REV C 01/10

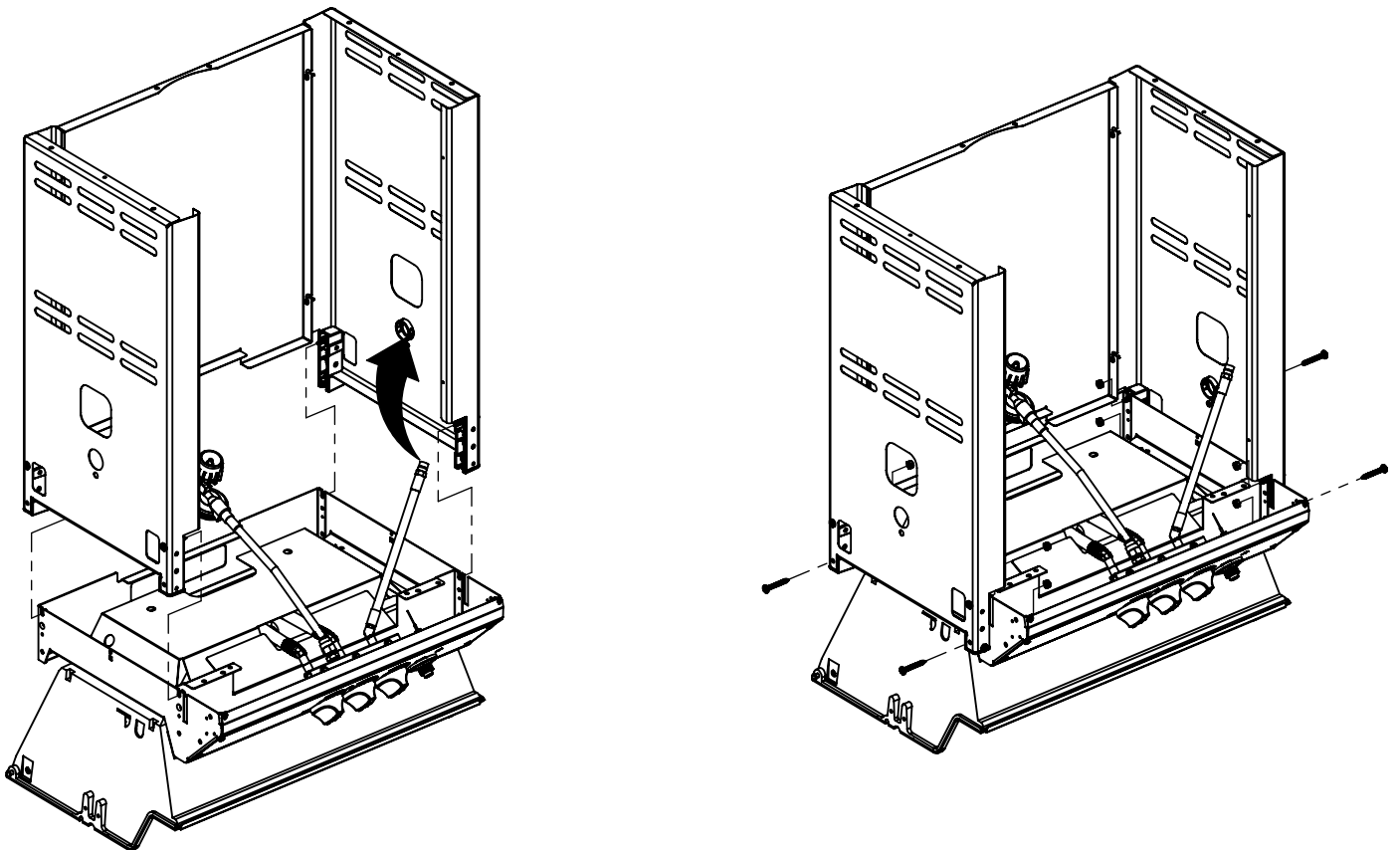
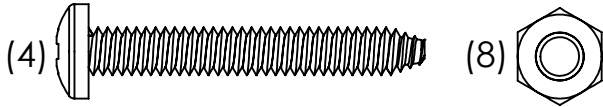
1



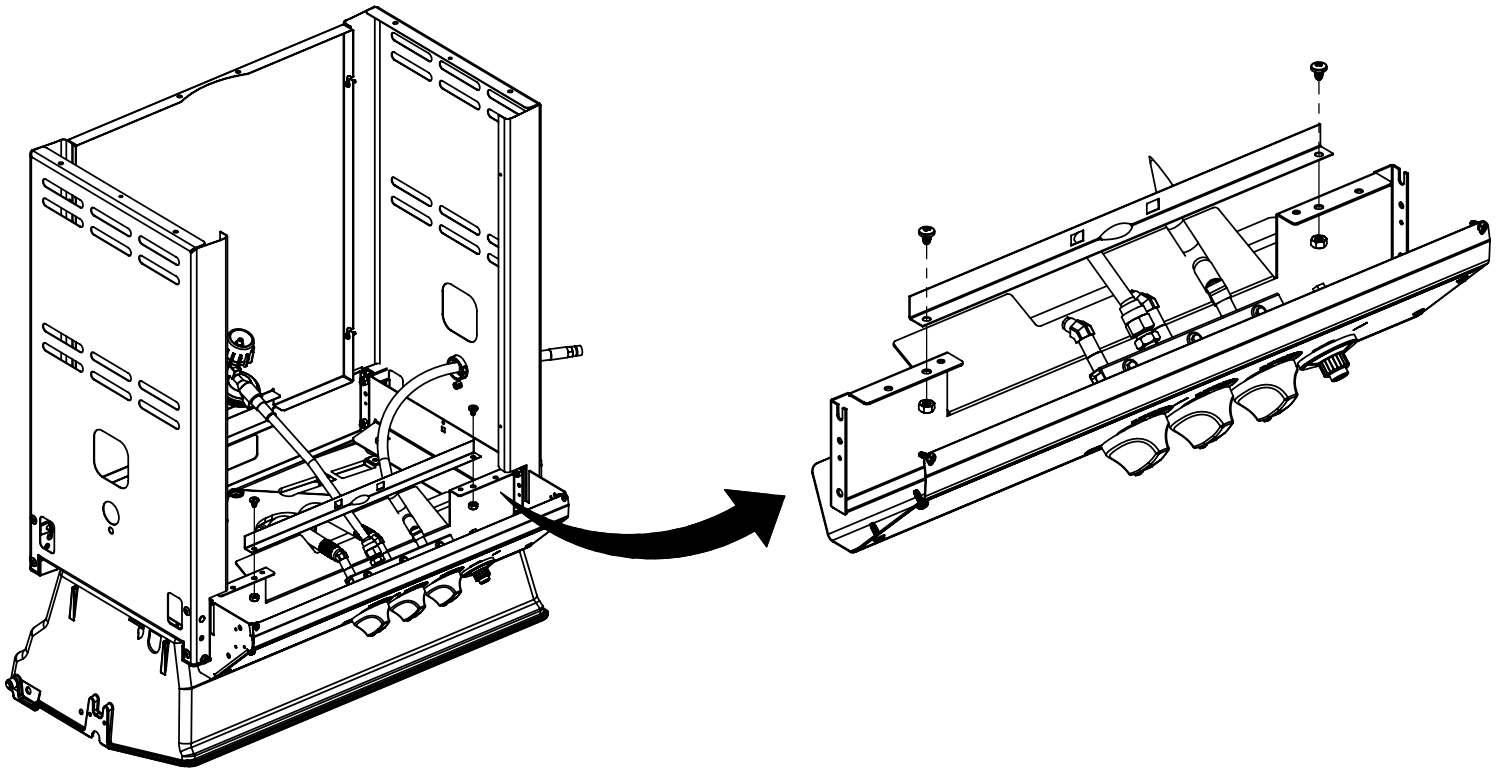
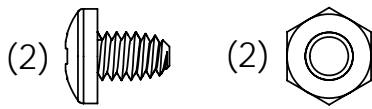
**2**



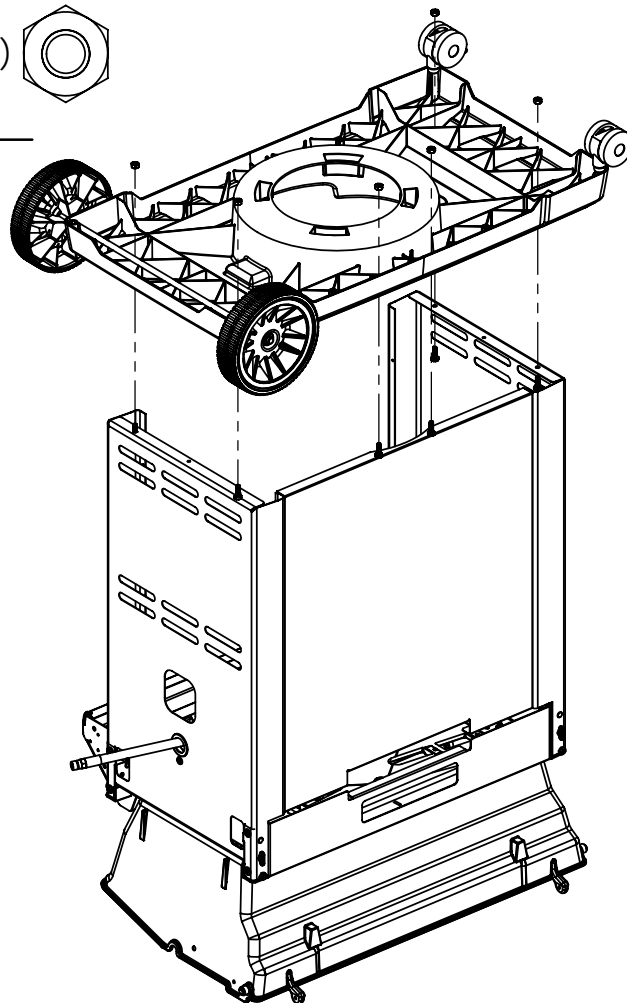
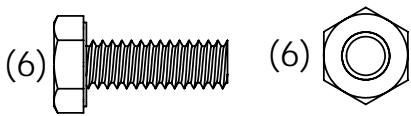
**3**



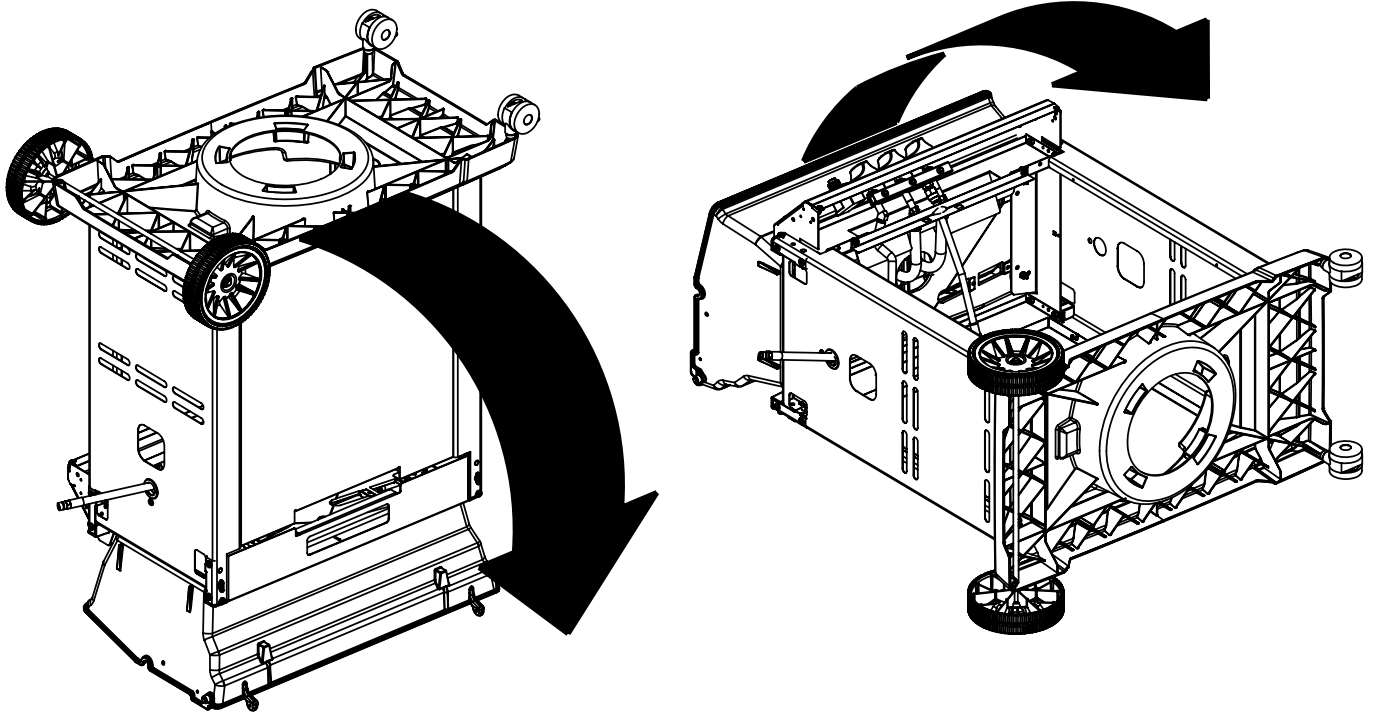
**4**



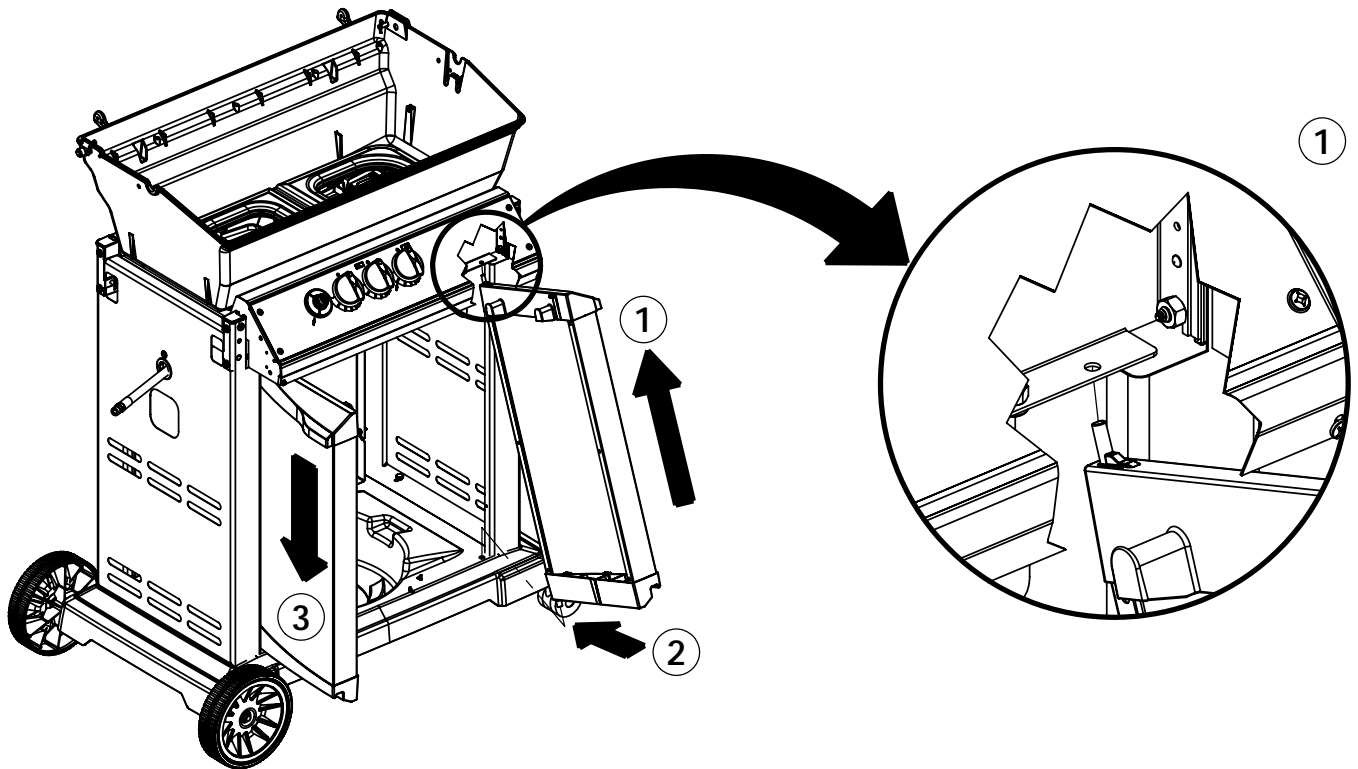
**5**



6

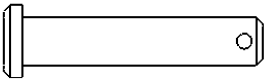
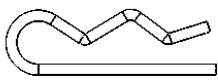


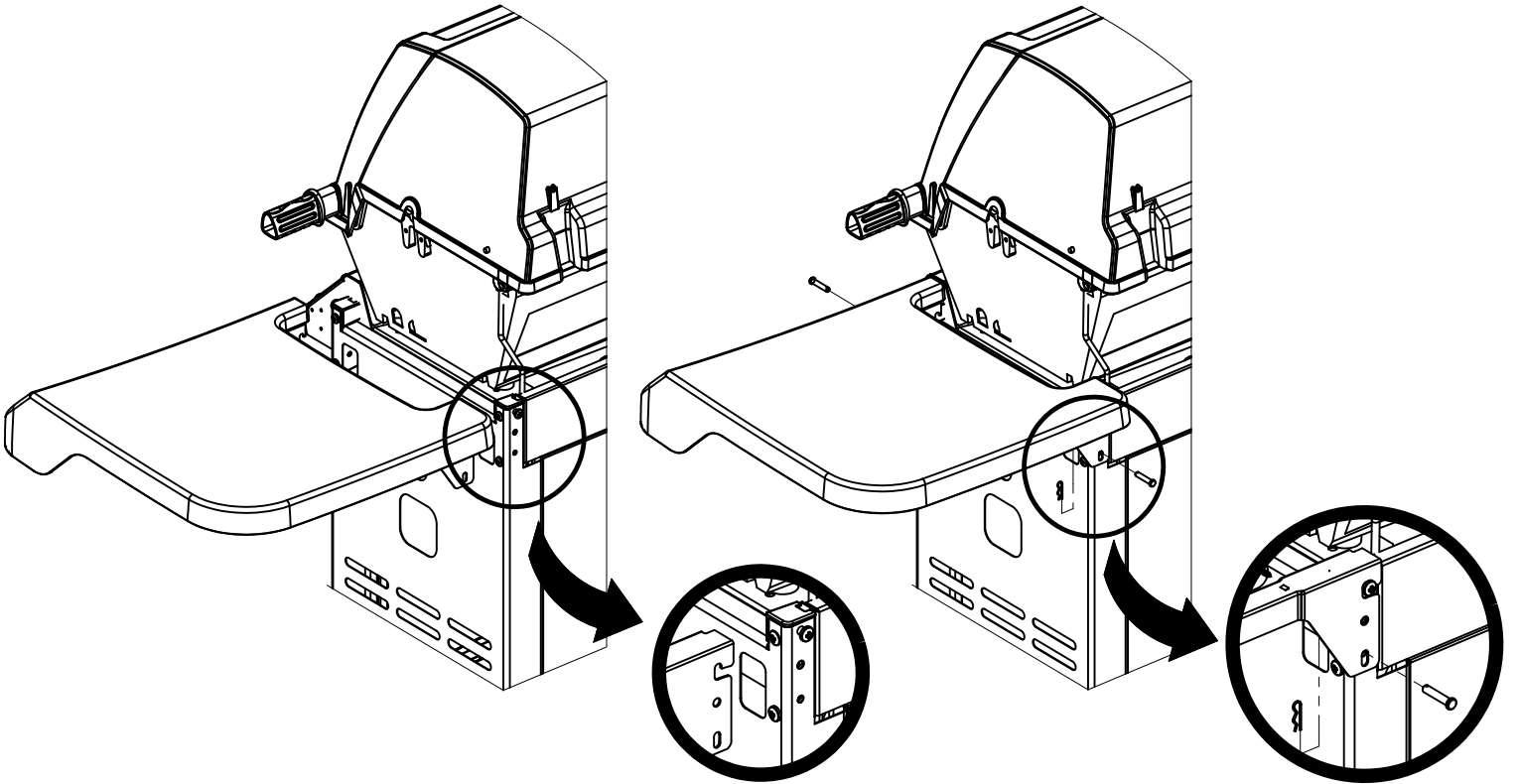
7






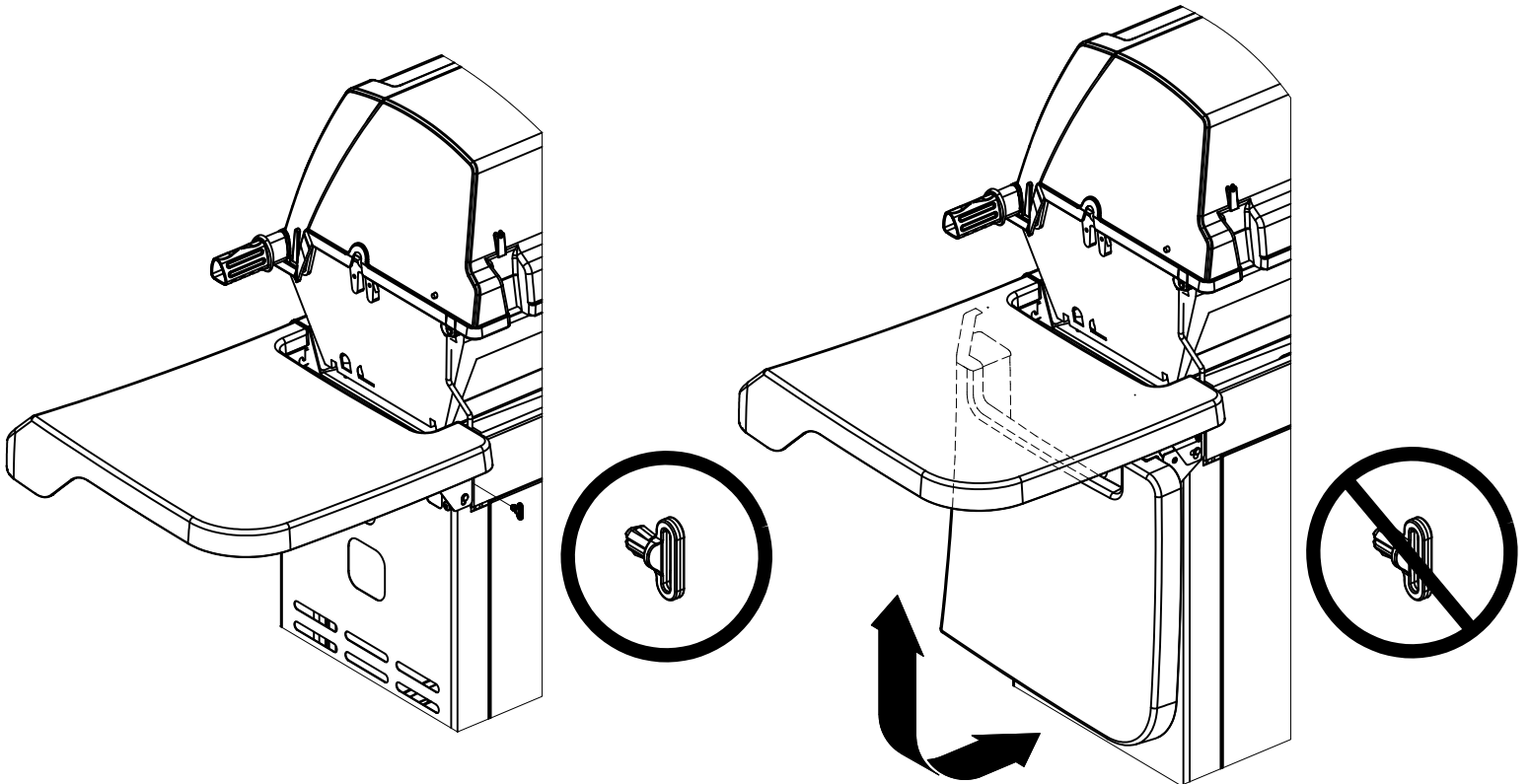
8

(2)  (2) 

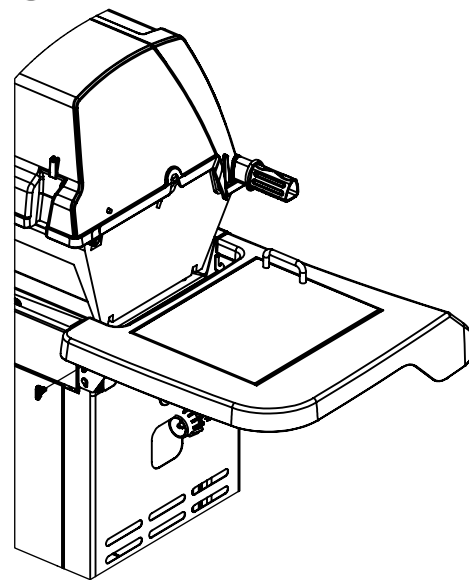
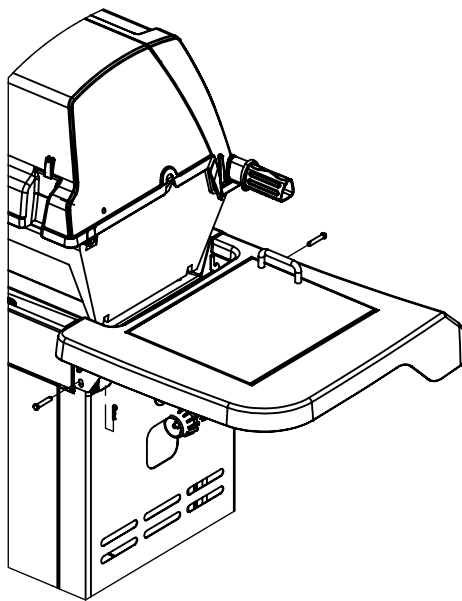
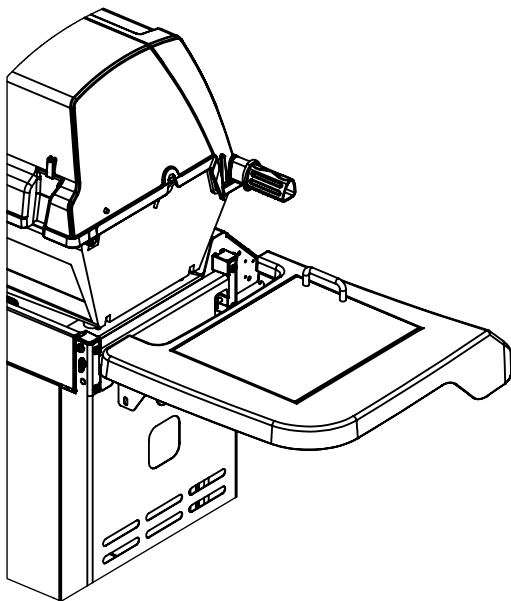
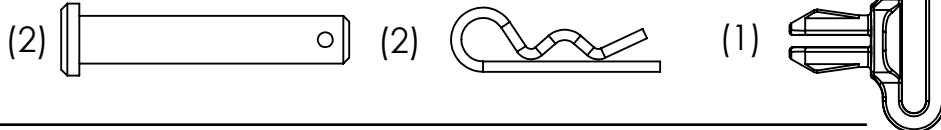


9

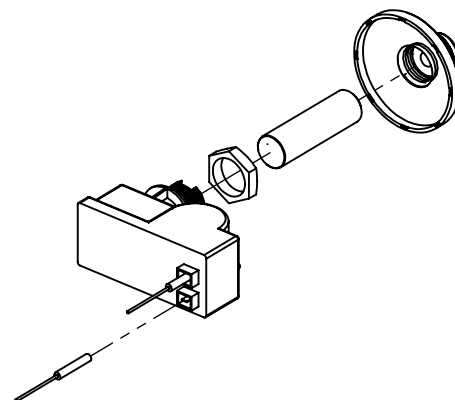
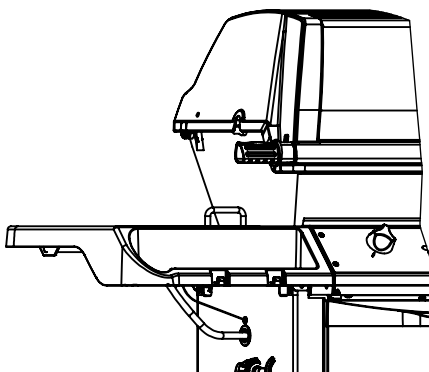
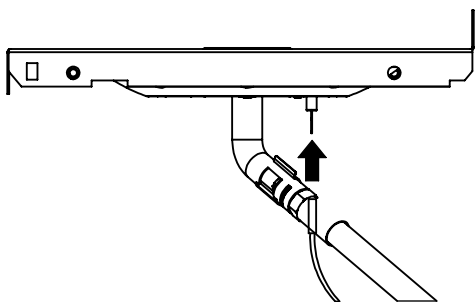
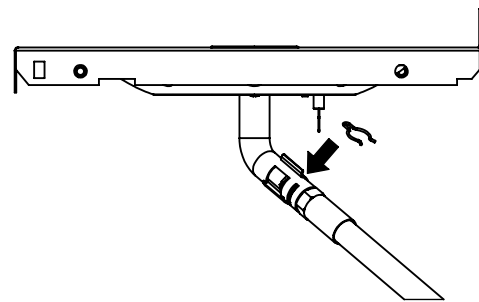
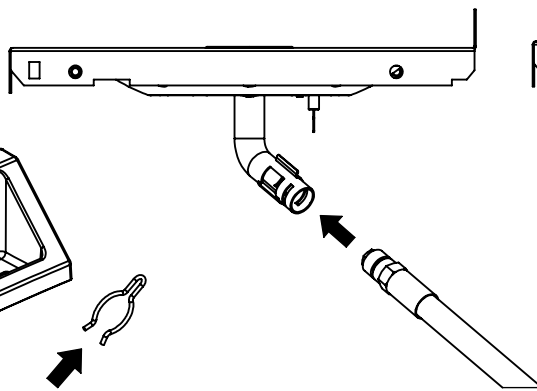
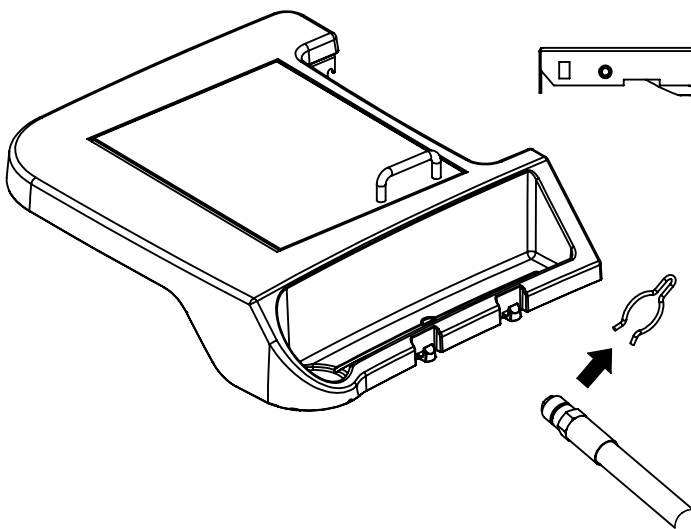
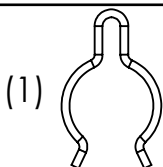
(1) 



**10**



**11**

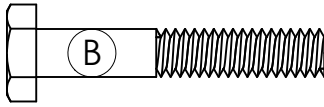


12

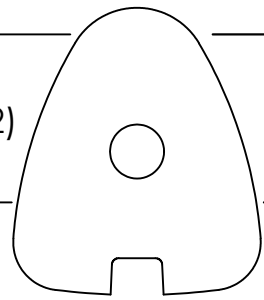
(2) A (2)



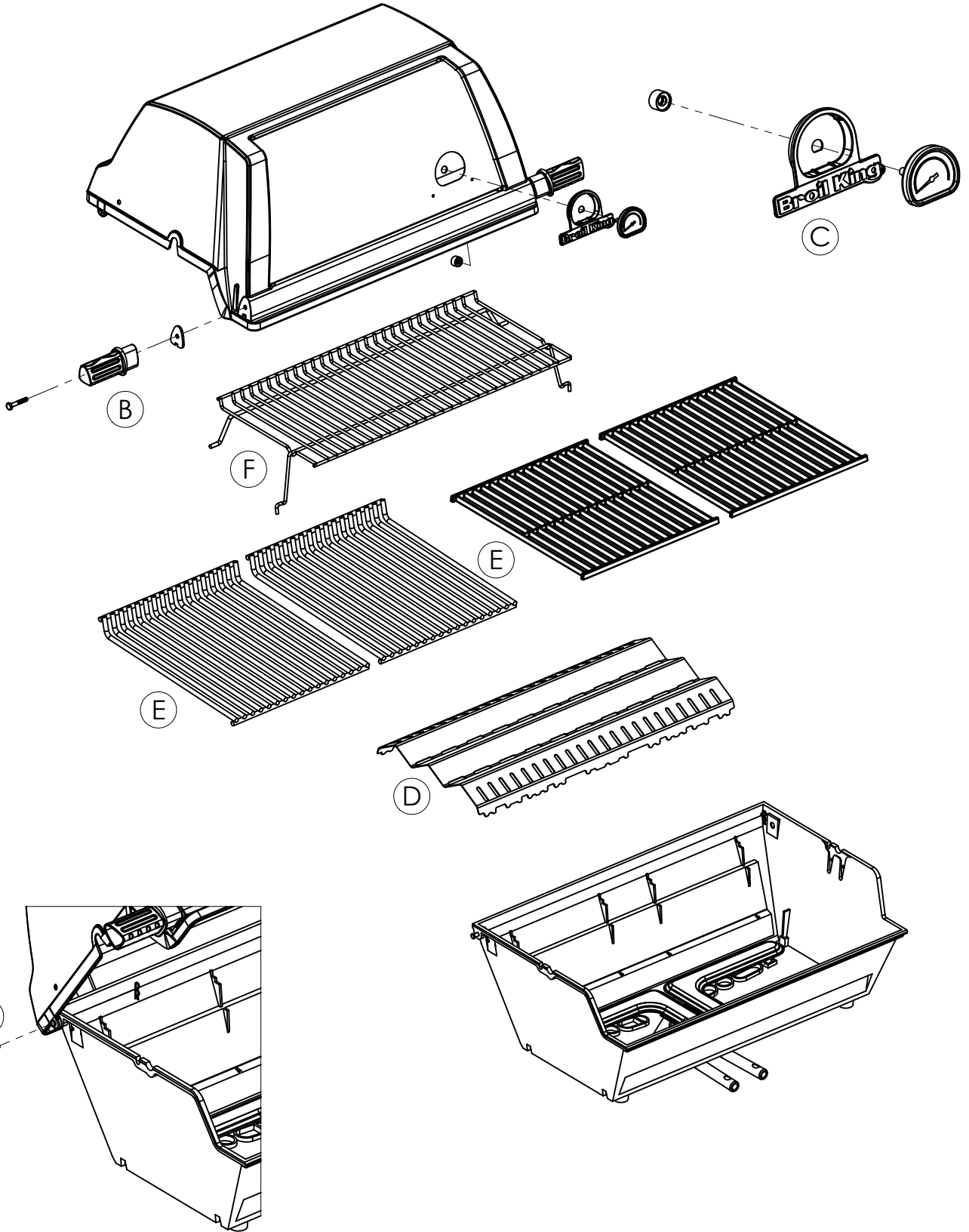
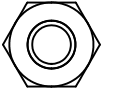
(2)



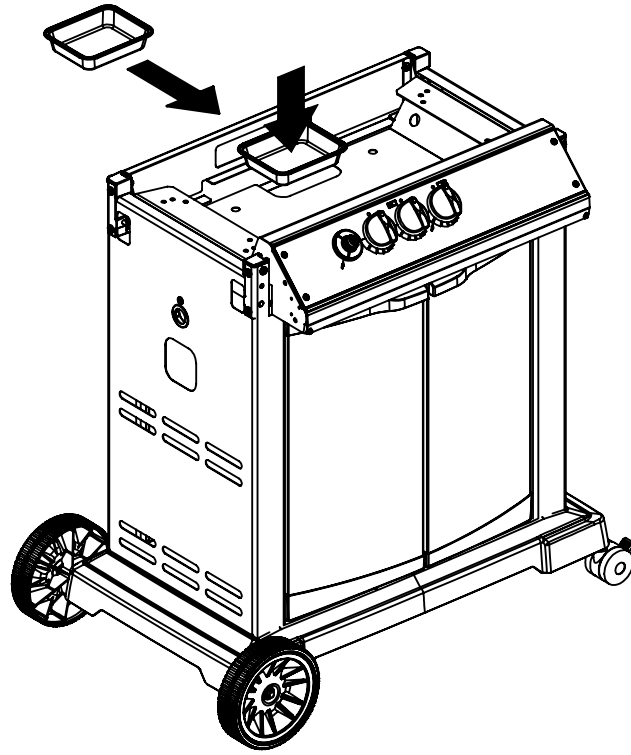
(2)



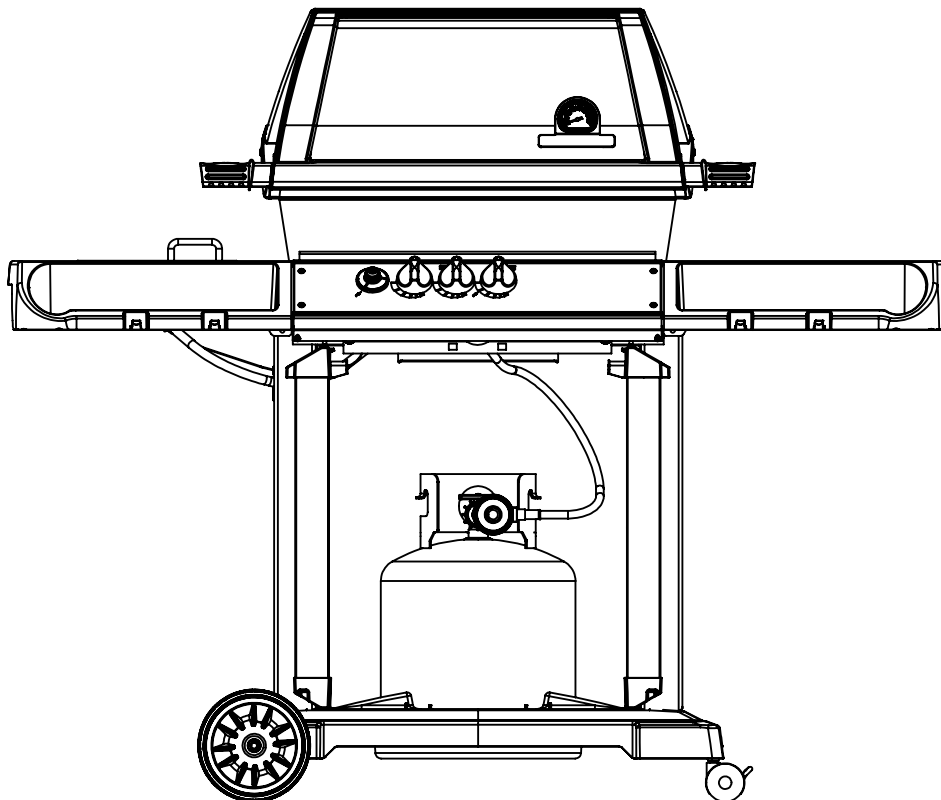
(2)



13



14



## PARTS LIST / LISTE DES PIÈCES

KEY #	ITEM #	DESCRIPTION	DESCRIPTION	5528-4CM	5528-7CM
1	S11426	CASTING BOTTOM	FOND DU FOYER	1	1
2	S11250	CASTING TOP	COUVERCLE DU GRIL	1	1
3	10081-BK603	NAMEPLATE	PLAQUE D'IDENTIFICATION	1	1
4	10958-K69	TOP CASTING INSERT	PANNEAU DE COUVERCLE	1	1
5	10571-6	HEAT INDICATOR	INDICATEUR DE CHALEUR	1	1
6	S21235	HINGE PIN	GOUPILLE DE CHARNIÈRE	2	2
7	S21233	HITCH PIN CLIP	ATTACHE DE CHEVILLE	6	6
9	S12024	GRID - S.S.	GRILLE - A.I.	2	2
10	10222-T425	FLAV-R-WAVE S.S.	FLAV-R-WAVE A.I.	1	1
11	S12206	GRID - WARMING RACK	GRILLE	1	1
15	S10017	BURNER/VENTURI ASSY	ENSEMBLE DE BRULEUR	1	1
17	10342-245	ELECTRONIC IGNITOR	ALLUMEUR ÉLECTRONIQUE	1	1
18	S15500	ELECTRODE	ELECTRODE	1	1
21	10442-T52	CONTROL ASSY LP	SOUPAPE, (GAZ PROPANE)	1	•
	10442-T53	CONTROL ASSY NG	SOUPAPE, (GAZ NATUREL)	•	1
21A	S13467-091	HOSE-SIDE BURNER LP	TUYAU DU BRULEUR LATERAL PL	1	•
	S13467-132	HOSE-SIDE BURNER NG	TUYAU DU BRULEUR LATERAL GN	•	1
	Y-11230	COTTER PIN	ATTACHE DE CHEVILLE	1	1
22	10114-20	HOSE & REGULATOR LP - QCC1	TUYAU ET REGULATEUR PL - QCC1	1	•
	10111-K45	HOSE NATURAL GAS	TUYAU (GAZ NATUREL)	•	1
23	10472-K37	CONTROL KNOB	BOUTON DE CONTROLE	3	3
31	10194-E55S	CONTROL COVER	PANNEAU DE CONTROLE	1	1
33	10184-R80	RADIATION SHIELD	ÉCRAN DE CHALEUR	1	1
35	10184-E401	SUPPORT-CASTING-LEFT	SUPPORT GAUCHE DU FOYER	1	1
36	10184-E411	SUPPORT-CASTING-RIGHT	SUPPORT DROIT DU FOYER	1	1
37	10184-E461	SUPPORT-SIDE SHELF-LEFT	SUPPORT TABLETTE DE GAUCHE	2	2
37A	10184-E62	SUPPORT-SIDE SHELF-LEFT	SUPPORT TABLETTE DE GAUCHE	2	2
38	10184-E471	SUPPORT-SIDE SHELF-RIGHT	SUPPORT TABLETTE DE DROIT	2	2
38A	10184-E63	SUPPORT-SIDE SHELF-RIGHT	SUPPORT TABLETTE DE DROIT	2	2
39	10956-E561	BRACE-REAR	SUPPORT ARRIERE	1	1
40	10958-R82	BASE	TABLETTE INFERIEURE	1	1
41	10956-E571	BRACE-FRONT	SUPPORT AVANT	1	1
42	10958-E79	DOOR	PORTE	2	2
43	10958-E761	SIDE PANEL BLK	PANNEAU LATERALE	2	2
44	10958-E901	PANEL - REAR	PANNEAU - ARRIÈRE	1	1
45	10184-E801	BRACKET - DOOR CATCH	PARENTHÈSE - CROCHET DE PORTE	1	1
50	10711-E564	SHELF - SIDE - RIGHT	PLANCHETTE LATERALE - DROIT	1	1
50A	10393-E52	INSERT - SIDE SHELF	PANNEAU - ÉTAGÈRE LATÉRALE	1	1
51	10711-E563	SHELF-SIDEBURNER	PLANCHETTE - BRULEUR DE COTE	1	1
52	10184-E78	DOOR - TOP CAP - LEFT	PORTE - DESSUS - GAUCHE	1	1
53	10184-E76	DOOR - BOTTOM CAP - LEFT	PORTE - LE FOND - GAUCHE	1	1
54	10184-E79	DOOR - TOP CAP - RIGHT	PORTE - DESSUS - DROIT	1	1
55	10184-E77	DOOR - BOTTOM CAP - RIGHT	PORTE - LE FOND - DROIT	1	1
74	Y-6616	BOLT 1/4-20 X 1 1/2	BOULON - 1/4-20 X 1 1/2	2	2
75	10338-145	HANDLE	POIGNEE	2	2
76	10239-7	WASHER-HANDLE	RONDELLE DE LA POIGNEE	2	2
78	10892-15	CASTOR	ROULETTES	2	2
79	Y-11561	BOLT - 1/4:20 x 1 3/4	BOULON - 1/4:20 X 1 3/4	8	8
80	Y-11546	SCREW- 1/4-20 X 5/8	VIS - 1/4-20 X 5/8	4	4
81	Y-11545	SCREW - 1/4-20 X 1 3/8	VIS - 1/4-20 X 1 3/8	4	4
82	Y-12673	SHELF - LOCK PIN	ÉTAGÈRE - GOUPILLE DE SERRURE	2	2
82A	Y-12855	BOLT- 1/4-20 X 3/8	BOULON - 1/4-20 X 3/8	2	2
83	S21014	BOLT- 1/4-20 X 3/4	BOULON - 1/4-20 X 3/4	6	6
85	10240-15	HINGE PIN	ATTACHE DE CHEVILLE	4	4
87	Y-11793	NUT- 1/4-20	ECROU - 1/4-20	22	22
97	Y-12642	SCREW - 8 X 1/2 - S.S.	VIS - 8 X 1/2 - A.I.	4	4
98	S21124	SCREW - 8 X 1/2	VIS - 8 X 1/2	14	14
98A	Y-12643	SCREW - 8 X 1/2	VIS - 8 X 1/2	12	12
99	Y-12646	SCREW - SHOULDER 8 X 1/2	VIS - 8 X 1/2	2	2
100	S21126	SCREW - 8 X 1/2	VIS - 8 X 1/2	4	4
104	Y-12835	SCREW - 6-32 X 1/4	VIS - 6-32 X 1/5	2	2
105	Y-29307	NUT - 10-24	ECROU - 10-24	4	4
108	PB20-60	LID HANDLE	POIGNEE	1	1
109	S21136	SCREW - 8-32 X 3/8	VIS - 8-32 X 3/8	3	3
110	10225-T09	GRID	GRILLE	1	1
111	10390-E10	SIDE BURNER	BRULEUR DE COTE	1	1
113	10342-T14	ELECTRODE - SIDE BURNER	ELECTRODE - BRULEUR DE COTE	1	1
114	10393-E50	COVER - SIDE BURNER	COUVERCLE LATÉRAL	1	1
115	Y-29304S	SCREW - 10-24 X 3/8 - S.S.	VIS - 10-24 X 3/8 - A.I.	4	4
116	Y-29304	SCREW - 10-24 X 3/8	VIS - 10-24 X 3/8	4	4
117	10393-E62	SHELF - SIDE BURNER	SUPPORT DE BRULEUR DE COTE	1	1
123	S15115	GREASE PAN - DISPOSABLE	CUVETTE A GRAISSE	1	1
125	Y-12119	3/8 HEYCO BUSHING	DOUILLE DE 3/8 HEYCO	1	1
135	Y-12220	BUSHING	DOUILLE	1	1

