

This Owner's Manual is provided and hosted by [Appliance Factory Parts](#).



# George Foreman GR120VRQ Owner's Manual

[Shop genuine replacement parts for George Foreman  
GR120VRQ](#)



[Find Your George Foreman Grill Parts - Select From 307 Models](#)

----- Manual continues below -----

# GEORGE FOREMAN®

THE LEAN MEAN FAT REDUCING GRILLING MACHINE®

Please Read and Save this Use and Care Book

Por favor lea este instructivo antes de usar el producto



## Customer Care Line:

USA/Canada  
1-800-231-9786

Mexico  
01-714-2500

**Accessories/Parts** (USA / Canada)

**Accesorios/Partes** (EE.UU / Canadá)

1-800-738-0245

For **online customer service**  
and to **register** your product, go to  
**[www.prodprotect.com/applica](http://www.prodprotect.com/applica)**

Also view the details for our  
latest **sweepstakes!**



Slide-Temp™  
FAMILY VALUE GRILL

## Models

### Modelos

- GR120V
- GR120VBQ
- GR120VPQ
- GR120VRQ
- GR120VQVC

# IMPORTANT SAFEGUARDS

When using electrical appliances, basic safety precautions should always be followed, including the following:

- Read all instructions.
- Do not touch hot surfaces. Use handles or knobs.
- To protect against electrical shock do not immerse cord, plugs or appliance in water or other liquid.
- Close supervision is necessary when any appliance is used by or near children.
- Unplug from outlet when not in use and before cleaning. Allow to cool before putting on or taking off parts.
- Do not operate any appliance with a damaged cord or plug, or after the appliance malfunctions or has been damaged in any manner. Return appliance to the nearest authorized service facility for examination, repair or adjustment. Or, call the appropriate toll-free number on the cover of this manual.
- The use of accessory attachments not recommended by the appliance manufacturer may cause injuries.
- Do not use outdoors.
- Do not let cord hang over edge of table or counter, or touch hot surfaces.
- Do not place on or near a hot gas or electric burner, or in a heated oven.
- Extreme caution must be used when moving an appliance containing hot oil or other hot liquids.
- To disconnect, remove plug from wall outlet.
- Do not use this appliance for other than intended use.
- The appliance is only to be operated in the closed position.

## SAVE THESE INSTRUCTIONS.

**This product is for household use only.**

### POLARIZED PLUG

This appliance has a polarized plug (one blade wider than the other). To reduce the risk of electric shock, this plug will only fit into the outlet one way. If the plug does not fit fully into the outlet, do not attempt to force it. Contact a qualified electrician. Do not attempt to modify the plug.

### TAMPER-RESISTANT SCREW

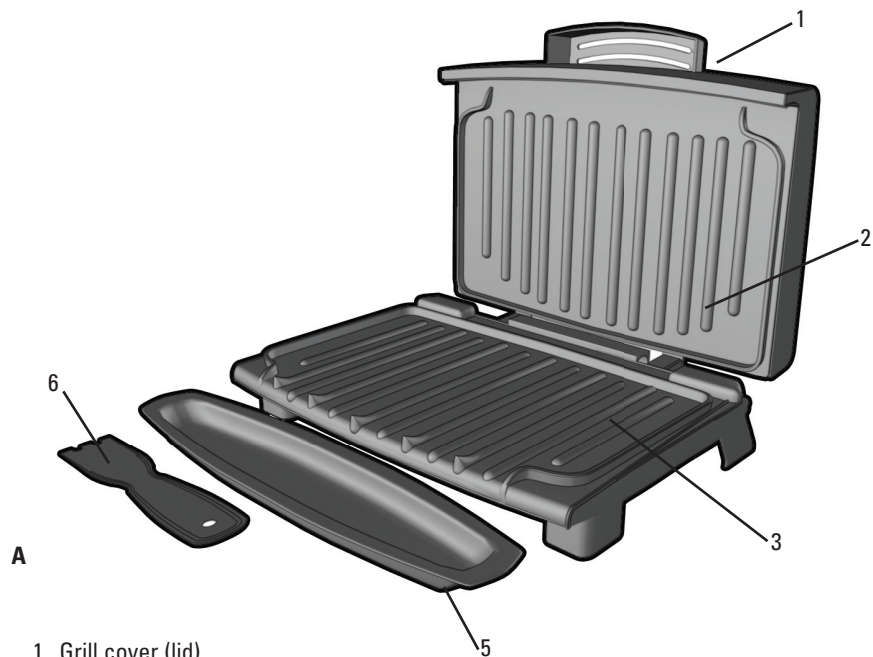
**Warning: This appliance is equipped with a tamper-resistant screw on the back of the outer cover. To reduce the risk of fire or electric shock, do not remove the outer cover. There are no user-serviceable parts. For service, contact an authorized service technician.**

### ELECTRICAL CORD

- a) A short power-supply cord (or detachable power-supply cord) may reduce the risk resulting from becoming energized.
- b) Longer detachable power-supply cords should be used if care is exercised in their use.
- c) If a long detachable power-supply cord or extension cord is used:
  - 1) The marked electrical rating of the detachable power-supply cord should be at least as great as the rating of the appliance.
  - 2) If the appliance is of the grounded type, use a grounding-type 3-wire cord, and
  - 3) The longer cord should be arranged so that it will not be pulled on or strained where it connects to the tabletop where it can be pulled on by the user.

**Note:** If the power supply cord is damaged, it should be replaced by an authorized service center in Latin America, by an authorized service center in other countries.

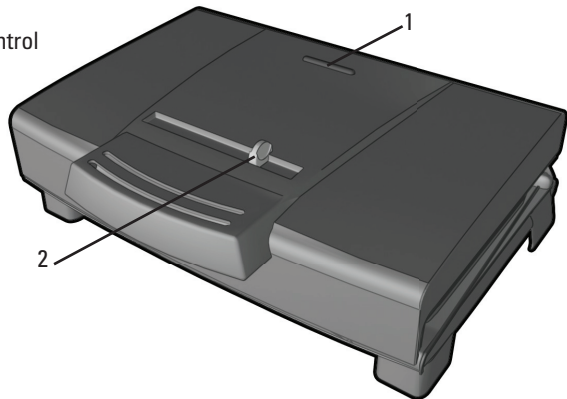
Product may vary slightly from what is illustrated.



- 1. Grill cover (lid)
- 2. Grill plate (upper)
- 3. Grill plate (lower)
- 4. ON/OFF switch (not shown)
- † 5. Drip tray (Part # GR180V-01)
- † 6. Spatula (Part # GR180V-02)

**Note:** † indicates consumer replaceable/removable parts

- 1. Preheat indicator light
- 2. Variable temperature control



4

## How to Use

This product is for household use only.

### GETTING STARTED

- Remove all packing material and any sticks.
- Remove and save literature.
- Please go to [www.prodprotect.com/application](http://www.prodprotect.com/application)
- Wash all removable parts and/or accessories in the cleaning section of this manual.
- Wipe grill plates with a damp cloth or sponge, then dry with a cloth or paper towels.
- Select location where unit is to be used, level surface, away from wall to allow heat to flow without damage.

### DRIP TRAY

Place the drip tray under the front sloped section of the grill.

### PREHEATING THE GRILL

1. Close cover on grill.
2. Unwind cord and plug into standard electrical outlet. Light comes on to indicate that the elements are on.
3. Set temperature control on top of grill to desired temperature. (See SUGGESTED GRILL SETTINGS.)
4. Allow the grill to preheat (approximately 4-5 minutes). When the preheat temperature is reached, the preheat indicator light will cycle on and off.

**Note:** The preheat indicator light will cycle on and off when the desired temperature is being maintained.

### GRILLING

1. Using a pot holder, carefully open the preheated grill.
  2. Before first use, lightly oil grill plates, if desired.
- Note:** Aerosol cooking spray should not be used. If used, allow spray to come out of can build up on surface to reduce efficiency.
3. Carefully place foods to be cooked on lower grill plate. Grill up to 7 servings.

**Note:** Do not overload grill.

4. Close cover and allow food to cook for desired time.

**Note:** Use suggested cooking times found in literature.

**Important:** Do not leave the appliance unattended.

5. Light pressure can be used on the handle to lift the lid.
- Important:** Do not use heavy pressure on the handle.
6. After selected time, the food should be removed from grill simply following the steps, beginning at step 1.
  7. Using a pot holder, carefully open the grill.
  8. Remove cooked food using plastic spatula.

5

**Note:** Always use nylon, heatproof plastic or wood utensils to avoid scratching nonstick surface of grill plates. Never use metal skewers, tongs, forks or knives.

- When finished cooking, slide the temperature control to the MIN setting and unplug the appliance.

**Important: Heat continues to be ON until grill is unplugged.**

- Allow drip tray to cool before removing it from under grill. Wash and dry drip tray after each use.

### SUGGESTED GRILL SETTINGS

**MIN:** Use to reheat fully cooked foods.

**MIN – Mid:** Sandwiches and wraps.

**Mid:** Fish

**Mid – MAX:** Fruits, vegetables, meat and poultry

### SUGGESTED GRILLING CHART

The following are meant to be used as a guideline only. The times reflect a full grill of food. Cooking time will depend upon thickness and cut being used. Use a cooking thermometer as a test for doneness. If the food needs longer cooking, check periodically to avoid overcooking the food.

FOOD	COOKING TIME	SETTING	COMMENTS
<b>MEAT</b>			
Hamburger (5 oz.)	4 – 6 minutes	MAX	¾-inch thick Cooked to medium (160°F / 71°C)
Frozen Hamburgers (5 oz.)	5 – 6 minutes	MAX	¾-inch thick Cooked to medium (160°F / 71°C)
Flank steak (¾ lb.)	6 – 8 minutes	MAX	¾-inch thick Cooked to medium rare (145°F / 63°C)
Skirt steak (½ lb.)	4 – 6 minutes	MAX	¾-inch thick Cooked to medium (160°F / 71°C)
NY Strip Steak (Shell Steak) 6 oz.	6 – 8 minutes	MAX	¾-inch thick Cooked to medium rare (145°F / 63°C)
Beef Tenderloin (5 oz.)	4 - 6 minutes	MAX	¾-inch thick Cooked to medium rare (145°F / 63°C)
Beef Kabobs	5 – 7 minutes	MAX	Cooked to medium (160°F / 71°C)

FOOD	COOKING TIME
Pork loin chops, boneless	4 – 6 minutes
Pork loin chops, bone in	4 – 6 minutes
Sausage, link or patty	4 - 6 minutes
Hot dogs	4 – 5 minutes
Bacon	6 – 8 minutes
Smoked pork loin chops, boneless	4 – 6 minutes
Lamb chops, loin	5 – 7 minutes
<b>POULTRY</b>	
Chicken breast, boneless and skinless (8 oz.)	11 – 13 minutes
Chicken tenderloins (4 to 6 pieces)	4 – 6 minutes
Turkey tenderloin (¾ lb.)	9 – 11 minutes
Turkey burgers (5 oz.)	4 – 6 minutes
<b>FISH</b>	
Tilapia fillets (6 oz., ea.)	5 – 7 minutes
Trout fillet (6 oz.)	4 – 6 minutes
Salmon fillet (8 oz. piece)	5 – 7 minutes
Salmon steak (6 – 8 oz.)	7 – 9 minutes
Tuna steak (6 oz.)	4 – 6 minutes
Shrimp	3 – 4 minutes

**Please note:** To be sure your food is fully cooked the USDA recommends the following guidelines. Use a kitchen timer. Using a meat thermometer, test for doneness by inserting the meat thermometer into the center of the food being cooked and make sure the thermometer is not touching the bone or grill plates.

FOOD TO BE COOKED	MEDIUM		WELL DONE OR FULLY COOKED	
Chicken Breast			170°F	77°C
Chicken Thigh			180°F	82°C
Beef / Lamb/Veal	160°F	71°C	170°F	77°C
Pork			160°F	71°C
Reheated cooked meats and poultry			165°F	74°C

### GRILLING FRUITS AND VEGETABLES

The following are meant to be used as a guideline only. The times reflect a full grill of food. Cooking time will depend upon thickness of food. Use a fork inserted into the center of the food to test for doneness. (Be careful not to touch the grill plate.) If the food needs longer cooking, check periodically to avoid overcooking the food.

FOOD	SETTING	GRILLING TIME
Asparagus Spears	Mid-MAX	4 – 6 minutes
Bell peppers, assorted colors cut into ½-inch rings	Mid-MAX	5 – 7 minutes
Mushrooms , thickly sliced	Mid-MAX	4 – 5 minutes
Onion slices, ½-inch	Mid-MAX	5 – 7 minutes
Potato slices, ½-inch	Mid-MAX	15 – 18 minutes
Portabella mushrooms, 3-inch diameter	Mid-MAX	4 – 6 minutes
Zucchini slices, ½-inch	Mid-MAX	3 – 4 minutes
Fresh pineapple slices, ½-inch	Mid-MAX	2 – 4 minutes

### GRILLING TIPS

- To prevent heat loss and for even cooking, do not open the lid frequently.
- Do not overfill grill.
- When first cooking a particular food, check for doneness several minutes before suggested time; if necessary adjust time.
- When cooking several pieces of food, try to have them similar in size and thickness.
- Remember that since grill is cooking from both sides cooking time will typically be shorter than expected. Watch carefully to avoid overcooking.
- For added flavor, add dry seasonings before grilling or marinate foods before cooking.

**Important: Use only nylon, heatproof plastic and wooden utensils when cooking on the grill. Silicone utensils are especially good because they do not discolor or melt with the high temperature.**

## Care and Cleaning

This appliance contains no user-serviceable parts. For service, contact a qualified technician or service personnel.

### CLEANING

**Caution: To avoid accidental burns, allow grill to cool before cleaning.**

**Important: Heat continues to be ON until grill is cooled.**

1. Before cleaning, unplug grill from wall outlet.
2. Place drip tray under front of grill. Use plastic scraper to remove food particles left on the grill plates; runoff into drip tray.
3. Use a warm, soapy sponge to wipe plates to remove any soapy residue. Dry thoroughly.
4. To remove stubborn buildup, use a nylon or plastic scrubber on grill plates.

**Important: Do not use metallic scrubbing pads or brushes to clean any part of your grill; use only nylon or plastic scrubbers.**

5. Empty drip tray and wash in warm, soapy water. Rinse and dry with a clean cloth.
  6. To clean the grill cover, wipe with a warm, soapy sponge. Rinse and dry thoroughly.
- Important: Do not immerse body of grill in water.**

Any servicing requiring disassembly other than cleaning should be performed by a qualified electrician.

**Caution: Make sure to hold grill cover by the handle to avoid accidental closing and injury.**

### STORAGE

Always make sure grill is clean and dry before storing.

## TROUBLESHOOTING

PROBLEM	POSSIBLE CAUSE	SOLUTION
Finish on grill plates is scratched or has cut marks.	Metal utensils have been used.	Always use heatproof plastic, nylon or wood utensils to avoid scratching nonstick surface of grill plates. Never use metal skewers, tongs, forks or knives.
The indicator light turns on and off.	The heating elements are cycling.	This is normal. The light comes on when the grill is plugged in and off once the set temperature is reached. However, it will cycle on and off to indicate the correct temperature is being maintained.
Grill marks on food are very light. The food looks steamed.	Grill was not fully preheated before use.	Always preheat grill at least 4 minutes before cooking any foods.
There is food buildup on grill plates.	Grill not properly cleaned after use.	Use nylon scrubbing pad and hot, soapy water to clean grill plates. Do not use steel wool scrubbing pads or abrasive cleaners to clean grill.
Food is dry and burnt.	Food is overcooked.	Because grill is cooking from both sides, food is cooked much faster than in a skillet or under a broiler. Use SUGGESTED GRILLING CHART as a guide and check food at lowest time stated on chart.
Grill does not turn on.	Grill is not plugged in.	Check to be sure appliance is plugged into working outlet.
The grill plate has white spots on it.	The water from cleaning has dried on the surface of the grill plates.	Dry grill plate immediately after washing.

## INSTRUCCIONES DE SEGURIDAD

Cuando se usan aparatos eléctricos, siempre tome las medidas básicas de seguridad:

- Por favor lea todas las instrucciones.
- No toque las superficies calientes. Use guantes.
- A fin de protegerse contra un choque eléctrico, nunca sumerja el cable, los enchufes ni el aparato en agua.
- Todo aparato eléctrico usado en la cocina requiere la supervisión de un adulto.
- Desconecte el aparato del tomacorriente cuando lo limpie. Espere que el aparato se enfríe y antes de limpiarlo.
- No use ningún aparato eléctrico que presente un problema de funcionamiento en un centro de servicio autorizado para que lo repare gratis al número correspondiente en la etiqueta.
- El uso de accesorios no recomendados puede ocasionar incendio, choque eléctrico o lesiones.
- No use este aparato a la intemperie.
- No permita que el cable cuelgue del borde del aparato o entre en contacto con superficies calientes.
- No coloque el aparato sobre ni cerca de aceite u otros líquidos calientes.
- Tome mucha precaución al mover de un lugar a otro el aceite u otros líquidos calientes.
- Para desconectar, retire el enchufe del tomacorriente.
- Este aparato se debe usar únicamente para su propósito.
- Este aparato solo debe dejarse funcionar cuando esté supervisado.

**CONSERVE ESTAS INSTRUCCIONES**  
Este aparato eléctrico es para uso doméstico solamente.

## ENCHUFE POLARIZADO

Este aparato cuenta con un enchufe polarizado (un contacto es más ancho que el otro). A fin de reducir el riesgo de un choque eléctrico, este enchufe encaja en un tomacorriente polarizada en un solo sentido. Si el enchufe no entra en el tomacorriente, invértalo y si aun así no encaja, consulte con un electricista. Por favor no trate de alterar esta medida de seguridad.

## TORNILLO DE SEGURIDAD

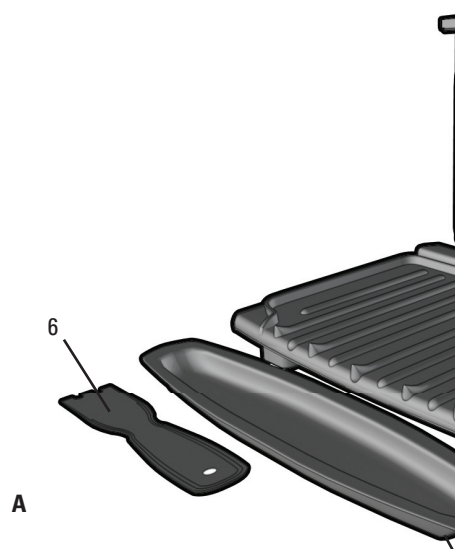
**Advertencia: Este aparato cuenta con un tornillo de seguridad para evitar la remoción de la cubierta exterior del mismo. A fin de reducir el riesgo de incendio o de choque eléctrico, por favor no trate de remover la cubierta exterior. Este producto no contiene piezas reparables por el consumidor. Toda reparación se debe llevar a cabo únicamente por personal de servicio autorizado.**

## CABLE ELÉCTRICO

- El producto se debe proporcionar con un cable eléctrico corto (o uno separable), a fin de reducir el riesgo de tropezar o de enredarse en un cable más largo.
- Existen cables eléctricos más largos y separables o cables de extensión que uno puede utilizar si toma el cuidado debido.
- Si se utiliza un cable separable o de extensión
  - El régimen nominal del cable separable o del cable de extensión debe ser, como mínimo, igual al del régimen nominal del aparato.
  - Si el aparato es de conexión a tierra, el cable de extensión debe ser un cable de tres alambres de conexión a tierra.
  - Uno debe acomodar el cable más largo de manera que no cuelgue del mostrador o de la mesa, para evitar que un niño tire del mismo o que alguien se tropiece.

**Nota:** Si el cordón de alimentación está dañado, en América Latina debe sustituirse por personal calificado o por el centro de servicio autorizado.

El producto puede variar ligeramente de

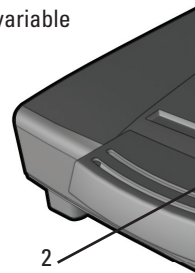


A

- Tapa de la parrilla
  - Placa superior de la parrilla
  - Placa inferior de la parrilla
  - Interruptor de encendido/apagado (no m
  - † 5. Bandeja de goteo (Pieza N° GR180V-01)
  - † 6. Espátula (Pieza N° GR180V-02)
- Nota:** † indica piezas desmontables/reemplaza

- Luz indicadora de precalentamiento
- Control de temperatura variable

B





# Como usar

Este producto es para uso doméstico únicamente.

## PRIMEROS PASOS

- Elimine todo el material de embalaje y las etiquetas.
- Retire y conserve el material de lectura.
- Vaya a [www.prodprotect.com/applica](http://www.prodprotect.com/applica) para registrar su garantía.
- Lave la bandeja de goteo y espátula según las instrucciones de CUIDADO Y LIMPIEZA de este manual.
- Desempolve las placas de la parrilla con un paño humedecido y séquelas bien con un paño suave o con toallas de papel.
- Seleccione el lugar donde se utilizará este aparato dejando el espacio suficiente entre la parte de atrás del aparato y la pared para permitir que el calor fluya sin dañar armarios y paredes.

## BANDEJA DE GOTEO

Coloque la bandeja de goteo debajo de la parte delantera inclinada de la placa inferior de la parrilla.

## PRECALENTAR LA PLANCHA

1. Cierra la tapa de la plancha.
2. Desenrolle el cable y enchúfelo a un tomacorriente eléctrica estándar. La luz indicadora de precalentamiento se enciende para indicar que los elementos de calefacción han sido activados.
3. Ajuste el control de temperatura en la parte superior de la parrilla al nivel deseado, a fin de precalentar el aparato. (Consulte la guía de NIVELES DE REGULACIÓN RECOMENDADOS.)
4. Precaliente la parrilla (aproximadamente 4 minutos) antes de usarla. La luz se apagará cuando la parrilla haya alcanzado la temperatura deseada.

**Nota:** La luz indicadora de precalentamiento se encenderá y apagará durante el ciclo de cocción a fin de mantener la temperatura deseada.

## ALIMENTOS A LA PARRILLA

1. Con un agarrador, abra cuidadosamente la plancha precalentada.
2. Antes del primer uso, aceite ligeramente las placas de la plancha, si lo desea.

**Nota:** Nunca use rociadores de cocinar sobre las superficies antiadherentes de las placas. Los químicos de los rociadores, se acumulan en las superficies y reducen la eficiencia de las placas.

3. Coloque cuidadosamente los alimentos que desea cocinar en la placa inferior de la plancha precalentada. En esta parrilla por lo general caben hasta 7 porciones.

**Nota:** No sobrecargue la placa de cocción.

4. Cierre la tapa y permita que los alimentos se cocinen por el tiempo programado. Si desea, puede usar un cronómetro de cocina.

**Nota:** Use los tiempos de cocción sugeridos que se encuentran en la TABLA PARA ASAR, en la páginas 16, 17 y 18.

**Importante: No deje el electrodoméstico sin**

5. Se puede ejercer una presión ligera en el alimento a su agrado.

**Importante: Nunca utilice demasiada presión**

6. Después del tiempo seleccionado, el alimento prefiere cocinar sus alimentos por más tiempo comenzando con el paso número 4.
7. Con un agarrador, abra cuidadosamente la parrilla.
8. Retire el alimento cocinado con la espátula.

**Nota:** Siempre use utensilios de nailon, plástico o madera para la superficie antiadherente de las placas de la parrilla. No use tenedores ni cuchillos de metal.

9. Cuando termine de cocinar, gire el control de temperatura para apagar el aparato.

**Importante: La parrilla permanece encendida**

10. Deje que la bandeja de goteo se enfríe antes de lavarla. Lave y seque la bandeja de goteo después de cada uso.

## NIVELES DE REGULACIÓN RECOMENDADOS

**MIN:** Para recalentar alimentos ya cocidos.

**MIN – Medio:** Sándwiches y enrollados de tortilla.

**Medio:** Pescado

**Medio – MAX:** Frutas, vegetales, carnes y aves.

**TABLA DE SUGERENCIAS PARA ASAR A LA PARRILLA**

Los siguientes valores se deben usar como guía únicamente. Los tiempos sugeridos corresponden a la capacidad completa de la parrilla. El tiempo de cocción depende del grosor y del corte utilizado. Use un termómetro de cocción para comprobar si el alimento está listo. Si el alimento necesita una cocción más prolongada, verifique periódicamente para evitar cocinarlo en exceso.

ALIMENTO	TIEMPO DE COCCIÓN	NIVEL	COMENTARIOS
<b>CARNE</b>			
Hamburguesa 141,75 g (5 oz)	4 – 6 minutos	MAX	1,91 cm (¾ pulgada) de grosor Cocción a término medio 71 °C (160 °F)
Hamburguesas congeladas 141,75 g (5 oz)	5 – 6 minutos	MAX	1,91 cm (¾ pulgada) de grosor Cocción a término medio 71 °C (160 °F)
Bistec de vacío 340,19 g (¾ lb)	6 – 8 minutos	MAX	1,91 cm (¾ pulgada) de grosor Cocción a punto 63 °C (145 °F)
Bistec de falda 226,8 g (½ lb)	4 – 6 minutos	MAX	1,91 cm (¾ pulgada) de grosor Cocción a punto 63 °C (145 °F)
Bistec tipo NY (del lomo corto) 170,1 g (6 oz)	6 – 8 minutos	MAX	1,91 cm (¾ pulgada) de grosor Cocción a punto 63 °C (145 °F)
Filete de carne de res 141,75 g (5 oz)	4 – 6 minutos	MAX	1,91 cm (¾ pulgada) de grosor Cocción a punto 63 °C (145 °F)
Pinchos de carne de res	5 – 7 minutos	MAX	Cocción a término medio 71 °C (160 °F)
Chuletas de lomo de puerco, deshuesadas	4 – 6 minutos	Medio- MAX	1,91 cm (¾ pulgada) de grosor Cocción a 71 °C (160 °F)
Chuletas de lomo de puerco, con hueso	4 – 6 minutos	Medio- MAX	1,27 cm (½ pulgada) de grosor Cocción a 71 °C (160 °F)

ALIMENTO	TIEMPO DE COCCIÓN
Embutido, salchichita o pati	4 – 6 minutos
Hot dogs	4 – 5 minutos
Tocino	6 – 8 minutos
Chuletas de lomo de puerco ahumadas, deshuesadas	4 – 6 minutos
Chuletas de cordero, lomo	5 – 7 minutos
<b>AVES</b>	
Pechuga de pollo, deshuesada y sin piel 226,8 g (8 oz)	11 – 13 minutos
Lomitos de pollo (4 a 6 trozos)	4 – 6 minutos
Lomo de pavo 340,19 g (¾ lb)	9 – 11 minutos
Hamburguesas de pavo 141,75 g (5 oz)	4 – 6 minutos
<b>PESCADO</b>	
Filetes de tilapia 170,1 g (6 oz) c/u	5 – 7 minutos
Filete de trucha 170,1 g (6 oz)	4 – 6 minutos
Filete de salmón 226,8 g (6 – 8 oz) por pieza	5 – 7 minutos
Bistec de salmón 226,8 g (8 oz)	7 – 9 minutos
Bistec de atún 170,1 g (6 oz)	4 – 6 minutos
Langostinos	3 – 4 minutos

**Tenga en cuenta:** Para asegurarse de que su alimento esté completamente cocinado, el Departamento de Agricultura de los Estados Unidos (United States Department of Agriculture, USDA) recomienda las siguientes pautas. Utiliza un cronómetro de cocina. Use un termómetro para carnes para comprobar si el alimento está listo insertando el termómetro para carnes en el centro del alimento que está cocinando y asegúrese de que el termómetro no toque el hueso o las placas de parrilla.

ALIMENTO PARA COCINAR	TÉRMINO MEDIO	BIEN COCIDO O TOTALMENTE COCIDO	
Pechuga de pollo		170 °F	77 °C
Muslo de pollo		180 °F	82 °C
Carne de res/Cordero/Tenera	160 °F      71 °C	170 °F	77 °C
Puerco		160 °F	71 °C
Carne de res y ave cocidas recalentadas		165 °F	74 °C

### COMO ASAR FRUTAS Y VERDURAS A LA PLANCHA

Los siguientes valores se deben usar como guía únicamente. Los tiempos sugeridos corresponden a la capacidad completa de la plancha. El tiempo de cocción depende del grosor del alimento. Introduzca un tenedor en el centro del alimento para comprobar si está listo. (Tenga cuidado de no tocar la placa de la plancha). Si el alimento necesita una cocción más prolongada, verifique periódicamente para evitar cocinarlo en exceso.

ALIMENTO	NIVEL	TIEMPO PARA ASAR A LA PLANCHA
Racimos de espárragos	Medio-MAX	4 – 6 minutos
Pimientos, diversos colores cortados en aros de 1,27 cm (½ pulgada)	Medio-MAX	5 – 7 minutos
Hongos, en rebanadas gruesas	Medio-MAX	4 – 5 minutos
Rebanadas de cebolla, 1,27 cm (½ pulgada)	Medio-MAX	5 – 7 minutos
Rebanadas de papa, 1,27 cm (½ pulgada)	Medio-MAX	15 – 18 minutos
Hongos portobello, 7,62 cm (3 pulgadas) de diámetro	Medio-MAX	4 – 6 minutos
Rebanadas de zucchini, 1,27 cm (½ pulgada)	Medio-MAX	3 – 4 minutos
Rodajas de piña fresca, 1,27 cm (½ pulgada)	Medio-MAX	2 – 4 minutos

### CONSEJOS PARA ASAR A LA PARRILLA

- Para impedir la pérdida de calor y generar una cocción pareja, no abra la tapa de la parrilla frecuentemente durante la cocción.
- No llene la parrilla en exceso.
- Al cocinar por primera vez un alimento específico, compruebe si está listo varios minutos antes del tiempo sugerido; si es necesario, ajuste el temporizador con el botón de control.

- Si cocina más de un trozo de alimento, inter...
- Recuerde que, dado que la parrilla cocina d... típicamente más corto que lo esperado. Pre...
- Para obtener un sabor más intenso, agregu... parrilla o marine los alimentos antes de coc...

**Importante: Para cocinar en esta parrilla, use... o plástico. Se recomienda especialmente los... descoloran ni se derriten a temperaturas alta...**

## Cuidado y limpieza

Este aparato no contiene piezas reparables p... acuda a personal calificado.

### LIMPIEZA

**Precaución: Para evitar quemaduras accident... completamente antes de limpiarla.**

1. Antes de limpiar, desenchufe la plancha de... se enfríe.

**Importante: Las resistencias seguirán estand... electrodoméstico.**

2. Coloque una bandeja de goteo debajo del t... plástico para raspar el exceso de grasa y l... las placas de la parrilla; el escurrimiento c...
3. Limpie las placas de la parrilla con una esp... esponja y repase las placas para limpiar to... de toalla absorbente.
4. Para eliminar las acumulaciones difíciles... para limpiar las placas de la parrilla.

**Importante: No use esponjillas metálicas, lar... para limpiar ninguna parte de su plancha; us... metálicas.**

5. Vacíe la bandeja de goteo y lávela con agu... toalla de papel.
6. Para limpiar la tapa de la parrilla, limpie co... con un trapo seco suave.

**Importante: No sumerja la estructura de la pa...**

7. Cualquier servicio técnico que requiera de... mencionada, debe ser realizado por un ele...

**Precaución: Asegúrese de sujetar la tapa de... evitar que se cierre accidentalmente y provo...**

### ALMACENAMIENTO

Siempre asegúrese de que la parrilla esté lim...

# RESOLUCIÓN DE PROBLEMAS O FALLAS

PROBLEMA	CAUSA POSIBLE	SOLUCIÓN
Las terminaciones de las placas de la parrilla tienen marcas de cortes.	Se han utilizado utensilios de metal.	Siempre use utensilios de nailon, plástico o madera antitérmicos para evitar rayar la superficie antiadherente de las placas de la parrilla. Nunca use espetones, pinzas, tenedores ni cuchillos de metal.
La luz indicadora se enciende y se apaga.	Los elementos calefactores están en ciclo.	Esto es normal. La luz se enciende cuando la parrilla está enchufada y se apaga una vez que ésta alcanza la temperatura programada. No obstante, se encenderá y apagará de forma cíclica para indicar que la parrilla está manteniendo la temperatura adecuada.
Las marcas del asado a la parrilla en los alimentos son muy leves.	No se precalentó la parrilla completamente antes de usarla.	Siempre precaliente la parrilla, por lo menos, 4 minutos antes de cocinar cualquier alimento.
Hay acumulación de comida en las placas de la parrilla.	No se limpió la parrilla correctamente después de usarla.	Use esponjillas de nailon y agua caliente en jabón para limpiar las placas de la parrilla. No use esponjillas de lana de acero ni limpiadores abrasivos para limpiar la parrilla.

PROBLEMA	CAUSA P
El alimento está seco y quemado.	El alimento se cocinó en e
La plancha no enciende.	La plancha no enchufada.
La parrilla tiene manchas blancas.	El agua de fre ha secado so superficie de de la parrilla.

## **NEED HELP?**

For service, repair or any questions regarding your appliance, call the appropriate 800 number on cover of this book. Please DO NOT return the product to the place of purchase. Also, please DO NOT mail product back to manufacturer, nor bring it to a service center.

You may also want to consult the website listed on the cover of this manual.

## **Two-Year Limited Warranty (Applies only in the United States and Canada)**

### **What does it cover?**

- Any defect in material or workmanship provided; however, Applicia's liability will not exceed the purchase price of product.

### **For how long?**

- Two years after the date of original purchase.

### **What will we do to help you?**

- Provide you with a reasonably similar replacement product that is either new or factory refurbished.

### **How do you get service?**

- Save your receipt as proof of date of sale.
- Check our on-line service site at [www.prodprotect.com/applica](http://www.prodprotect.com/applica), or call our toll-free number, 1-800-231-9786, for general warranty service.
- If you need parts or accessories, please call 1-800-738-0245.

### **What does your warranty not cover?**

- Damage from commercial use
- Damage from misuse, abuse or neglect
- Products that have been modified in any way
- Products used or serviced outside the country of purchase
- Glass parts and other accessory items that are packed with the unit
- Shipping and handling costs associated with the replacement of the unit
- Consequential or incidental damages (Please note, however, that some states do not allow the exclusion or limitation of consequential or incidental damages, so this limitation may not apply to you.)

### **How does state law relate to this warranty?**

- This warranty gives you specific legal rights, and you may also have other rights that vary from state to state or province to province.

## **¿NECESITA AYUDA?**

Para servicio, reparaciones o preguntas re gratis al número "800" que aparece en la el producto al establecimiento de compra. fabricante ni lo lleve a un centro de servicio que aparece en la cubierta de este manual.

## **Dos años de garantía limitada**

**(Aplica solamente en Estados Unidos o Ca**

### **¿Qué cubre la garantía?**

- La garantía cubre cualquier defecto de no se responsabiliza por ningún costo producto.

### **¿Por cuánto tiempo es válida la garantía?**

- Por dos años a partir de la fecha origin

### **¿Qué clase de asistencia recibe el consu**

- El consumidor recibe un producto de r fábrica, parecido al original.

### **¿Cómo se obtiene el servicio necesario?**

- Conserve el recibo original como comp
- Se puede visitar el sitio web de asiste [www.prodprotect.com/applica](http://www.prodprotect.com/applica), o se pu 1-800-231-9786, para obtener informac
- Si necesita piezas o accesorios, por fa

### **¿Qué aspectos no cubre esta garantía?**

- Los daños al producto ocasionados po
- Los daños ocasionados por el mal uso,
- Los productos que han sido alterados
- Los productos utilizados o reparados f
- Las piezas de vidrio y demás accesorio
- Los gastos de tramitación y embarque producto
- Los daños y perjuicios indirectos o inci observe que algunos estados no permir daños y perjuicios indirectos ni inciden podría no aplicar a usted).

### **¿Qué relación tiene la ley estatal con est**

- Esta garantía le otorga derechos legal tener otros derechos que varían de un



2008/12-18-47E/S

Copyright © 2009 Applica Consumer Products, Inc.

Made in People's Republic of China  
Printed in People's Republic of China

Fabricado en la República Popular de China  
Impreso en la República Popular de China