

0310780CWM

ITM. / ART. 1031509

Model / Modèle / Modelo: LG Champion

Part / Pièce / Parte: 61500

Important: Read carefully, save these instructions!

Important : Lire attentivement et conserver ces instructions!

Importante : ¡Lea atentamente y conserve estas instrucciones!



## WOOD PELLET GRILL AND SMOKER INSTRUCTIONS AND USE

## BARBECUE-FUMOIR AUX GRANULES DE BOIS INSTRUCTIONS ET UTILISATION

## ASADOR Y AHUMADOR DE PELLETS DE MADERA INSTRUCCIONES Y USO

**WARNING:** Please read the entire manual before installation and use of this electric, pellet fuel-burning appliance. Failure to follow these instructions could result in property damage, bodily injury or even death. Contact local building or fire officials about restrictions and installation inspection requirements in your area.

**AVERTISSEMENT :** Veuillez lire l'intégralité du manuel avant l'installation et l'utilisation de cet appareil électronique aux granules. Le non-respect de ces instructions peut entraîner des dommages aux biens, des blessures ou même la mort. Communiquez avec les autorités locales en matière d'incendie et de bâtiment concernant les restrictions et les exigences d'installation dans votre région.

**ADVERTENCI:** Lea el manual completo antes de instalar y utilizar este aparato eléctrico para quemar pellets de combustible. Incumplir estas instrucciones podría causar daños materiales, lesiones corporales, e incluso la muerte. Consulte a sus funcionarios locales de construcción y control de incendios para informarse sobre las restricciones y los requisitos de inspección de instalaciones en su región.



MANUAL **MUST** BE READ BEFORE OPERATING! | VOUS **DEVEZ** LIRE CE GUIDE AVANT D'UTILISER LE BARBECUE!  
¡DEBE LEER EL MANUAL ANTES DE LA OPERACIÓN!

# DANGERS AND WARNINGS

**“MAJOR CAUSES OF FIRES ARE MAINTENANCE AND FAILURE TO MAINTAIN REQUIRED CLEARANCES TO COMBUSTIBLE MATERIALS. IT IS OF UTMOST IMPORTANCE THAT THIS PRODUCT BE INSTALLED ONLY IN ACCORDANCE WITH THESE INSTRUCTIONS.”**

**WARNING: YOU MUST contact your local home association, building or fire officials, or authority having jurisdiction, to obtain the necessary permits, permission or information on any installation restrictions, such as any grill being installed on a combustible surface, inspection requirements or even ability to use, in your area.**

- **YOU MUST** keep the entire grill a minimum of 45.72 cm (18 inches), or a safe distance, from all combustibles.
- **DO NOT** install or operate the grill under a combustible ceiling or overhang.
- **DO NOT** use indoors, or in an enclosed, unventilated area.
- **YOU MUST** clean and maintain your grill on a regular basis.
- **YOU MUST**, after a period of storage, and/or non-use, check the burn grate for obstructions, foreign objects both inside the grill and the hopper, and air blockage, before use. See instructions in this manual for correct procedures.
- **DO NOT** put a grill cover or anything flammable, on or in the storage space area under the grill.
- **DO NOT** allow children to use your LG Champion wood pellet grill while unattended. Accessible parts of the grill may be very hot. Keep young children and pets away while it is in use.

**WARNING: This appliance is not intended for use by persons (including children) with reduced physical, sensory or mental capabilities, or lack of experience and knowledge, unless they have been given supervision or instruction concerning use of the appliance by a person responsible for their safety.**

- **DO NOT** use lava rock, wood chunks, wood shavings or charcoal in your Louisiana Grills wood pellet grill.
- **DO NOT** use accessories not specified for use with this appliance.
- Should a grease fire occur, turn “Off” the control and leave lid closed until the fire is out.
- **DO NOT** unplug the power cord. **DO NOT** throw water on. **DO NOT** try to smother the fire.
- **YOU MUST** use heat-resistant barbecue mitts or gloves when operating the grill.

**WARNING: DO NOT transport your LG Champion wood pellet grill while operating or while the grill is HOT. Make sure the fire is completely out and that the grill is completely “Cool to the Touch”**

- **DO NOT** enlarge burn grate orifices, igniter holes or burn pots.
- **DO NOT** use your grill in the rain or around any water source.
- **YOU MUST ALWAYS** disconnect the power, before performing any service or maintenance.
- If the grill is stored outside during the rainy season or seasons of high humidity, care should be taken to insure that water does not get into the pellet hopper. Wood pellets, when wet or exposed to high humidity, expand greatly, break apart, and could jam the feed system.
- **DISPOSAL OF ASHES** — Ashes should be placed in a metal container with a tight-fitting lid. The closed container of ashes should be placed on a non-combustible floor or on the ground, well away from ALL combustible materials, pending final disposal. When ashes are disposed by burial in soil or otherwise locally dispersed, they should be retained in the closed container until all cinders have thoroughly cooled.

**WARNING: DO NOT touch any part of your LG Champion wood pellet grill while the smoker is HOT. Serious bodily injury could result.**

# DANGERS AND WARNINGS

**WARNING: DO NOT over-fire your LG Champion wood pellet grill. Improper Use Can Cause Uncontrolled Fire.**

## FUEL - WOOD PELLETS

- **YOU MUST** only use all natural wood pellets, designed for burning in pellet grills. Any other type of fuel burn in this appliance will void the warranty and safety listing.
- **DO NOT** use fuel labeled as having additives.
- **NOTE:** Since Dansons Inc. has no control over the quality of pellets that you use, we assume no liability caused by the quality of fuel used.

**CAUTION: DO NOT use spirit, petrol, gasoline, lighter-fluid or kerosene for lighting or refreshing a fire in your grill.**

## CREOSOTE

- **DO NOT** operate the appliance if the flame becomes dark and sooty or if the burn pot overfills with pellets. Turn the unit OFF, let the appliance cool completely, and then inspect the unit. Soot or Creosote may accumulate in the main barrel and along any air leakage or exhaust areas when the appliance is operated under incorrect conditions, such as incorrect burn grate position, blockage of the combustion fan, failure to clean and maintain the burn area, etc.
- Soot or creosote is formed when pellets are burned without the correct amount of air to fuel or incomplete combustion, thus producing a tar like substance and other organic vapors that combine with expelled moisture. The smoke will have a black color to it and the residue left behind on surfaces, will also be black in color.
- When ignited, this creosote makes an extremely hot and out of control fire, similar to a grease fire.
- If creosote has formed within the unit; allow the unit to warm up at a LOW temperature, turn OFF the appliance, and then wipe out any formation with a hand towel. Creosote is similar to tar, when warmed it will become like liquid, and is much easier to clean in this state.

**WARNING: IF AN UNCONTROLLED FIRE DOES OCCURE: CALL FIRE DEPARTMENT. DO NOT try to move appliance. DO NOT try to smother the fire. DO NOT put water on the fire.**

## CARBON MONOXIDE: "The Silent Killer"

FOLLOW THESE GUIDELINES TO PREVENT THIS COLORLESS, ODORLESS GAS FROM POISONING YOU, YOUR FAMILY OR OTHERS:

- Know the symptoms of carbon monoxide poisoning: Headaches, Dizziness, Weakness, Nausea, Vomiting, Sleepiness, and Confusion. Carbon Monoxide reduces the blood's ability to carry oxygen. Low blood oxygen levels can result in loss of consciousness and death.
- See a doctor if you or others develop cold or flu-like symptoms while cooking or in the vicinity of the appliance. Carbon monoxide poisoning, which can easily be mistaken for a cold or flu, is often detected too late.
- Alcohol consumption and drug use increase the effects of carbon monoxide poisoning.
- Carbon monoxide is especially toxic to mother and child during pregnancy, infants, the elderly, smokers, and people with blood or circulatory system problems, such as anemia, or heart disease.

**WARNING: To prevent fingers, clothing or other objects from coming in contact with the auger, your appliance has been equipped with a metal screen, mounted inside the hopper. This screen MUST NOT be removed unless directed by Dansons Customer Service or Authorized service personal.**



Dear "Champion" wood pellet grill owner:

**Thank you for choosing to purchase a "Louisiana Grills Champion" wood pellet smoking' grill.**

Cooking with your Louisiana Wood Pellet Grill is about to bring you full circle from the days of the caveman when cooking outdoors with wood was a necessity, to cooking indoors in your modern kitchen and now back to the great outdoors and that savory wood flavor.

Think of your "Champion" as an extra stove available to bake, roast, grill, sear and smoke or char-grill food. Anything that can be done in your indoor kitchen can be done on your grill.

Barbecuing is a culture all on its own. Barbecuing provides a form of entertainment, which is relaxed and casual. Your meals can be completely cooked outdoors and the chef is one of the crowd. Keep it simple, be creative, and have some fun.

We'd like to take this opportunity to pass on a few **important tips** concerning grilling with wood pellets.

- **Initial set-up of your "Louisiana Grill" is the most important step** to ensure the efficient and satisfactory operation of your grill for many years to come.
- **Be diligent in your cleaning and maintenance program.** Taking care of your grill will add years of life and keep it looking great.
- Use only all natural wood BBQ pellets designed to burn in pellet grills.
- Ensure your pellet fuel stays moisture free. Open bags of fuel should be stored in an airtight container and empty the hopper if you are not using the grill over longer periods.

Our loyal staff, valued customers, friends and our loving families have all contributed recipes to our cookbook. We have tried to include a broad range of cuisines and styles, starting with Mom's great home cooking and many, many, catering and entertaining experiences to current classics and new soon to be classics.

### **WE WANT YOU!**

If you are interested in contributing a family favorite or competition winner, or any recipe, (especially if it contains bacon) please share it with us.

Fax: 1-877-303-3135, Web [www.louisiana-grills.com](http://www.louisiana-grills.com), Email: [sales@dansons.com](mailto:sales@dansons.com) or snail mail: to the address below.

Now go, fill up the hopper, light up that grill and get ready to enjoy,  
**"World Class BBQ In Your Own Backyard"**

Again we want to say THANK YOU for your purchase.

*Staff and Management  
Dansons Inc.*

### **COPYRIGHT NOTICE**

Copyright 2017, All right reserved.

No part of this manual may be copied, transmitted, transcribed, stored in a retrieval system, in any form or by any means without expressed written permission of,



**Dansons Inc.**  
**14608 - 134 Ave., Edmonton, AB, Canada T5L 4T4**  
**1-877-303-3134**

# TABLE OF CONTENTS

Dangers and Warnings .....	2	Operation	
Assembly Instructions		Getting Started .....	22
Specs .....	6	Initial Set-Up Procedure .....	22
Parts Explosion .....	7	Lighting - Automatic/Manual .....	24
Safety Testing .....	8	Shutting Off Your Smoker .....	24
Wheels, Lid Stopper .....	8	Maintenance .....	25
Champion Hopper Assembly .....	9	Grilling Tips and Techniques .....	28
Igniter .....	11	Trouble Shooting .....	30
Burn Grate, Flame Broiler .....	11	Parts List .....	34
Handle, Adjustable Chimney .....	12	Limited Warranty .....	35
Heat Panel, Deflector .....	13		
Handles and Latches .....	13		
Upper Cabinet, Side Shelf .....	14		
Grease Trays, Dampers, Grids .....	15		
Rack Supports, Oven Rack .....	16		
Steam Box .....	16		
Power Supply .....	17		
Knowledge is Power			
3 Cooking Zones .....	17		
Digital Control Center-G2 .....	19		
Programmable Meat Probe .....	20		

# YOUR NEW LG CHAMPION WOOD PELLET GRILL

Large 12.3 kg (27 lb.) **Hopper** capacity. Easy flip up top, with rounded edges.

Damper controlled chimney.

Dual rear exhaust control.

Time proven metal auger feed system.

Porcelain coated cast iron cooking grids (main surface).

3 removable porcelain coated steel upper grids.

Fan forced combustion, cooling and convection cooking.

**"Digital Control Center"**  
P.I.D. Control  
w/ programmable meat probe.

Fan range oven temperature 82°C - 315°C (180° to 600°F) cooking options; hot smoking to searing.

Electric igniter eliminates the need for matches and starter fluids.



Cold Smoker / Warming Cabinet  
2 oven racks.

Solid side shelf with tool hangers and hanger bar.

Hot Smoker / Oven Cabinet  
4 oven racks.

Grease pull out drawers.

Heavy-duty engineered structure.

Cabinet doors and enclosure.

2 x Locking Casters.  
2 x Casters.

## AVAILABLE ACCESSORIES

### Custom Cover

Silk screened heavy duty 600 denier, polyester canvas, double stitched, polyurethane interior, tightening strap.

### Deluxe Front Shelf

30.5cm D x 60.96cm W (12 in. D x 24 in. W)  
Clip-on Flip Down.  
Stainless Steel Finish.  
36.83cm (14½ in.) mounting hole.

### Hopper Extension

Easy add-on w/lid.  
Adds extra 9kg (20lb).

### Extra Pull-Out Oven Racks

5 pack - additional 3898.9cm / 1535 sq. in.



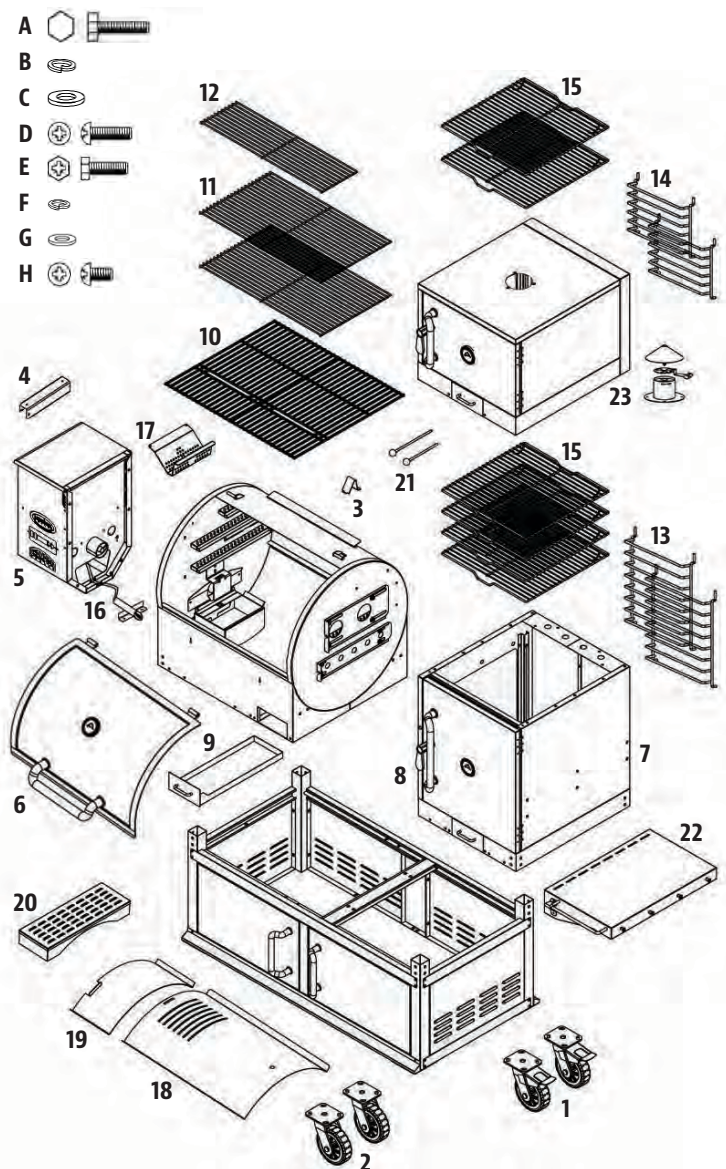
# UNPACKING YOUR LG CHAMPION PELLET GRILL

When you open your smoker/grill, please ensure you have and can identify all the following parts:

Part	Qty	Items found in the box
1	2	Wheels 12.7cm (5 in.) dia-locking swivel
2	2	Wheels 12.7cm (5 in.) - non swivel
3	1	Main Lid Stopper
4	1	Hopper Side Handle
5	1	Hopper Assembly
6	1	Main Lid Handle with screws
	2	- Bezels
7	2	Smoker Cabinet Handle with screws
	4	- Bezels
8	2	Main Cabinet Handle with screws
	4	- Bezels
9	3	Grease Tray Handle with screws
	3	- Grease Tray Face Plates
10	2	Main Cooking Grids - Porcelain Cast
11	2	Upper Grids - Porcelain Steel
12	1	Upper Grid - Porcelain Steel
13	2	Mid Cabinet Oven Rack Support
14	2	Upper Cabinet Oven Rack Support
15	6	Pull Out Oven Racks
16	1	Igniter Assembly - Igniter Cartridge
	1	- Igniter Tube
17	1	Burn Grate
18	1	Flame Broiler - Main Body
19	1	- Slide Top
20	1	Steamer - Main Body
	1	- Lid
21	2	Slider Rods with Knobs
22	1	Side Shelf
	1	- Bottle Opener
	1	- Towel Bar 25.4 cm (10 in.)
	4	- Tool Hangers
23	1	Upper Cabinet
	1	- Chimney Assembly
	1	- Rear Heat Shield
	1	- Rear Heat Deflector Plate
A	16	Bolts - Wheels

B	16	Spring Washers - Wheels
C	16	Washers - Wheels
D	28	Phillips screws
E	6	Multi-head screws - Hopper
F	34	Spring Washers
G	34	Washers
H	2	Phillips Metal Screws - Igniter

\*\*Product subject to change without notice.



# SAFETY TESTING

In accordance with the procedures and specifications listed in UL SUBJECT 2728-2009 "PELLET FUEL COOKING APPLIANCES" AND CANADIAN ULC/ORD C2728 and CSA C22.2 #3 "FOR ELECTRICAL FEATURES OF FUEL BURNING EQUIPMENT." The Champion pellet cooking appliance has been independently tested and listed by INTERTEK (an accredited testing laboratory) to ETL, UL, ULC and CSA standards.

This product has been assessed and meets EU (European Economic Area) safety, health and Environmental protection requirements.

This product has been assessed and meets requirements imposed or covered by regulations in Australia and New Zealand and is represented by RCM mark and number.

NOTE: Please read the label found attached to the inside lid of the hopper, carefully. It contains important information about installation and operation of your pellet cooking appliance.



# TOOLS REQUIRED

**IMPORTANT NOTICE**

- Be sure to inspect the entire grill after removing the protective shipping carton
- Report any damage to your local dealer immediately
- Shipping damage is not covered under warranty.

**Phillips Screw Driver, Wrench, & Level**

# ASSEMBLY INSTRUCTION

**1 INSTALL THE WHEELS**

**Parts Required:**

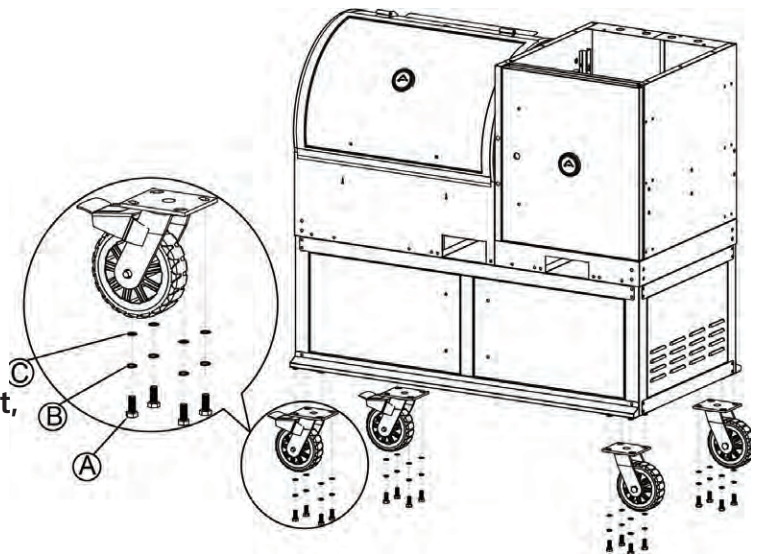
- 1 x Main Cabinet
- 2 x Wheels 12.7cm (5 in.) Locking Swivel Wheels
- 2 x Wheels 12.7cm (5 in.) Wheels
- 16 x Bolts (A)
- 16 x Washers (B)
- 16 x Spring Washers (C)

**WARNING!**

**Due to the size and weight of the upper cooking cabinet, the following installation step is a two (2) person job.**

**NOTE:**

**Damage caused due to ignoring warning or improper installation is NOT a warranty issue.**





## Installation:

The bottom portion of the main cabinet, has threaded plates installed to allow for two (2) locking and two (2) non-locking heavy duty wheels to be installed.

- To ease installation, place a soft protective covering on the floor, then carefully tip the main cabinet with the non-hopper end, onto the floor covering.
- Install the two (2) swivel locking wheels on the hopper end of the cabinet. Place a washer (B), then spring washer (C) onto each bolt, then begin to hand tighten each bolt.

**NOTE: It is best to start each threaded bolt by hand, to ensure the thread DOES NOT cross thread or strip.**

- Install the two (2) non-swivel wheels to the smoker cabinet end.
- Using the proper tool, ensure that ALL bolts are firmly secured.
- Using one or two people carefully and slowly tip unit back onto the newly installed wheels.

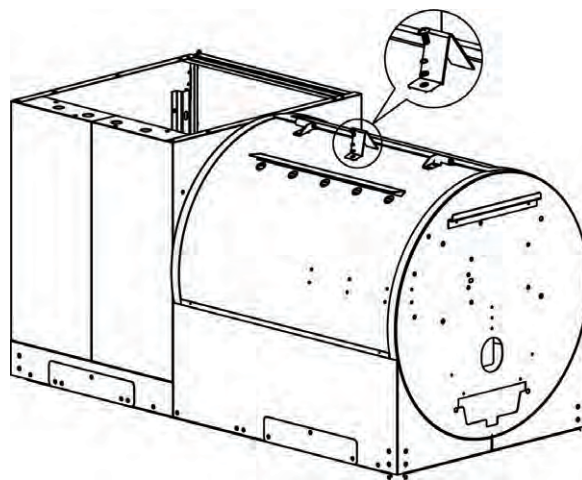
## 2 INSTALL THE MAIN LID STOPPER

### Parts Required:

- 1 x Main Lid Stopper

### Installation:

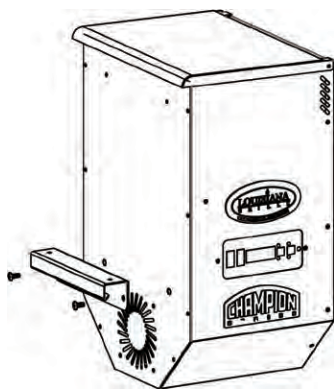
- Using a Phillips Screwdriver remove the screw, washer and spring washer already installed into the top of the main barrel.
- Insert the main lid stopper into the slot provided in the barrel.
- Line up the screw holes and re-install the Phillips screw, washer and spring washer, through the stopper and into the barrel.



## 3 INSTALLING THE HOPPER

### Parts Required:

- 1 x Hopper Assembly
- 1 x Hopper Handle
- 2 x Phillips screws (D)
- 6 x Multi-head screws (E)
- 8 x Spring Washers (F)
- 8 x Washers (G)

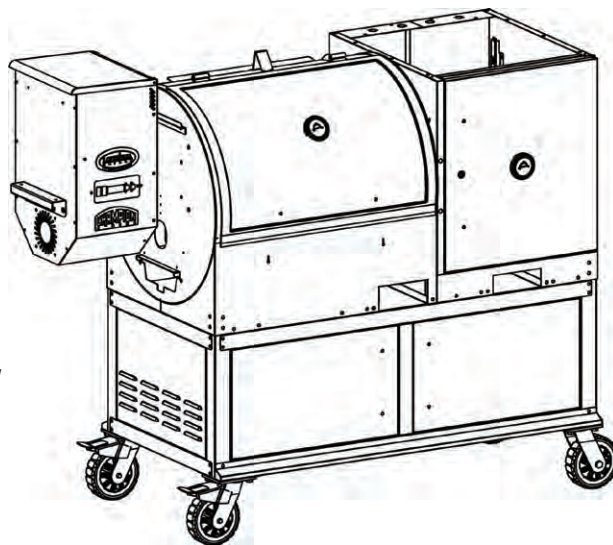


### Installation:

#### Step 1 - Installing the Hopper Handle:

The Hopper Handle is multi-purpose. Not only is used to move the unit, but can also be used to wrap the power cord around, for easy storage.

The hopper handle also has two smaller size holes. These are used to temporarily hold the meat probe.



- Using two (2) Phillips screws (D), washers (G) and spring washers (F) secure the handle to hopper access panel, just above the fan intake, through the two (2) large holes provided.
- Begin by hand starting the threads, then use your Phillips screwdriver to secure.

### Step 2 - Preparing for the Hopper:

Place six (6) Multi-head screws (E), washers (G) and spring washers (F) into the main barrel cavity to aid in installing the hopper.

### Step 3 - Attaching the Grill Probe Wires:

Your Grill/Smoker comes complete with the "Digital Control Center" complete with grill probe and programmable meat probe. The grill probe has been factory installed in the cabinet, with the excess wire and connections run out through the left end. Be careful not to kink or damage the wires.

The wire connections to the control board can be found inside or taped to the outside of the hopper. **Diagram C**

To connect the spade connections, carefully lift the entire hopper to the left hand-side of the upper cooking cabinet.

**IMPORTANT: Ensure the probe wires are run only through this large hole in the hopper as shown in diagram C.**

Begin by resting the bottom of the hopper on the ledge of the burn pot, sticking out past the barrel. Support the hopper on your leg as you connect the two spade connections. **Diagram D**

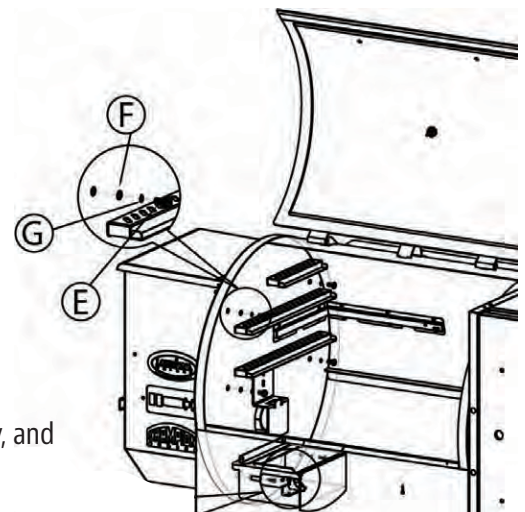
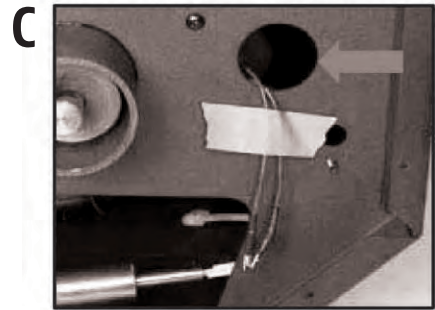
After firmly connecting the spade connections, carefully thread ALL excess wire, as well as the connections, back into the hopper. The wiring must not come in contact with either the fan blades, or the metal auger tube.

**IMPORTANT: All excess wire and connections must be placed back in the hopper. Ensure that they DO NOT touch the fan.**

### Step 4 - Attaching the Hopper to the Barrel:

- Carefully lift the entire hopper, with the attached grill probe wires, off the lip of the burn pot.
- Begin by slightly inserting the Auger Feed tube into the auger hole. Then raise the hopper, as the mounting bracket on the rear of the hopper must be raised slightly higher than the receiving bracket on the barrel.
- Push the top of the hopper tightly against the main barrel, inserting the auger tube fully into the barrel. Holding the hopper fairly level, press downward, to clip the hopper onto the mounting bracket.
- Holding the hopper in place, use one (1) of the Multi-head screws (E), along with the spring washer (F) and washer (G) from the six (6) you put in the cavity, and begin hand threading it into one (1) of the six (6) holes provided in the main barrel cavity.

**NOTE: If the holes do not line up, the hopper may need to be fully pushed down into place.**



Now with the hopper partially secured, hand start the remaining five (5) multi-heads screws, spring washers and washers. When complete secure firmly into place, using the proper tool.

**NOTE: Taking extra care not to strip the screw heads will aid in the future.**

#### 4 INSTALLING THE IGNITER ASSEMBLY

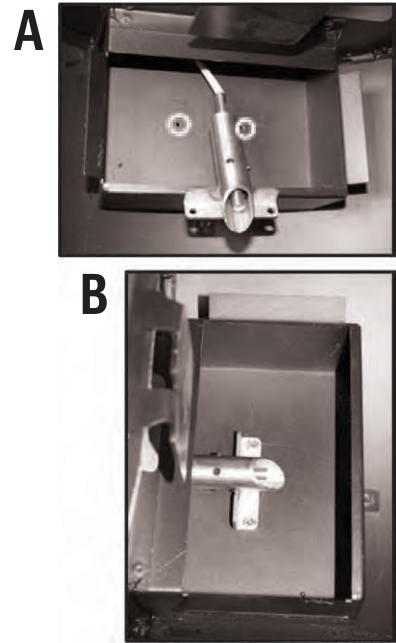
**Parts Required:**

- 2 x Phillips Metal Screws (H)
- 1 x Igniter Assembly (located in hopper)

**Installation:**

The igniter assembly has been connected to the wire harness at the factory and can be found in the hopper electrical housing.

- Reach in through the burn pot and carefully pull the igniter assembly forward into the burn pot area. **Diagram A**
- Line up the two holes on the igniter bracket over top of the two holes found in the bottom of the burn pot. **Diagram A & B**
- Using your screw driver and the two (2) Phillips metal screws (H) secure the igniter assembly to the burn pot. **Diagram A & B**



#### 5 INSTALLING THE BURN GRATE

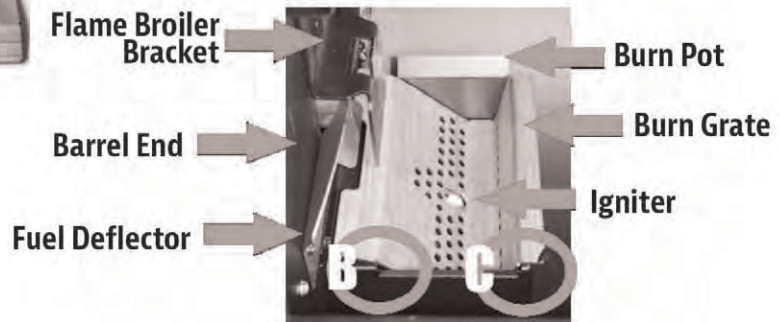
**Parts Required:**

- 1 x Burn Grate



**Installation:**

- The larger lip of the grate, notched, installs under the pellet fuel deflector.
- The bend along the larger lip should also be sitting tight to the back of the burn pot (B).
- The front lip of the grate should be sitting flush along the top of the burn pot (C).



**IMPORTANT: The placement and maintenance of the burn grate is vital to a happy and full range cooking experience!**

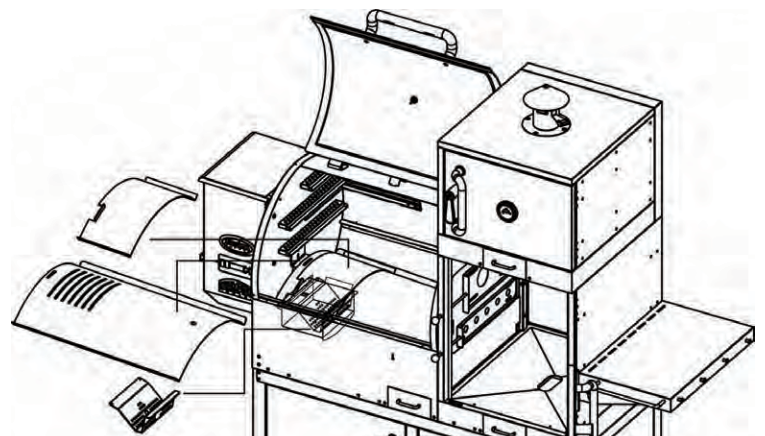
#### 6 INSTALLING THE "ARCHED FLAME BROILER"

**Parts Required:**

- 1 x Flame Broiler Bottom
- 1 x Flame Broiler Slide Top

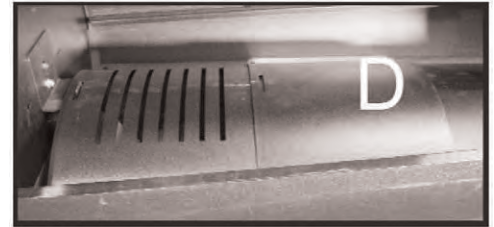
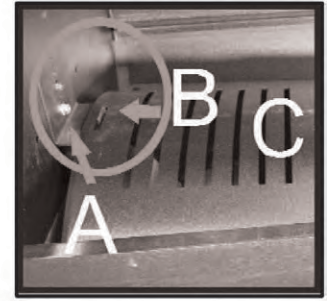
**Installation:**

- To ensure proper height and angle, the bottom plate of the mounting bracket (A) should not be within the pellet drop chute area. If you do need to adjust the bracket, loosen off the three (3) Phillips screws, lift the bracket and re-tighten the screws.





- Take the Arched Flame Broiler bottom, and hold it so that the end with the cut out and slots is in your left hand. The plate then clips easily over the adjustable mounting bracket (B).
- Take the Arched Flame Broiler Slider Top, (D) and place it on top of the bottom (C). This plate is used to slide over the flame broiler opening and should be a very close fit.



**OPEN** for "Direct" flame searing / char broiling, Controlled flare ups  
Remember this will affect the convection flow.

**CLOSED** for "Indirect Convection Cooking". Used in this position the majority of time.

**IMPORTANT: Both the flame broiler main body and slider top have a food grade oil coating on them, when new. This will burn off during the initial burn off.**

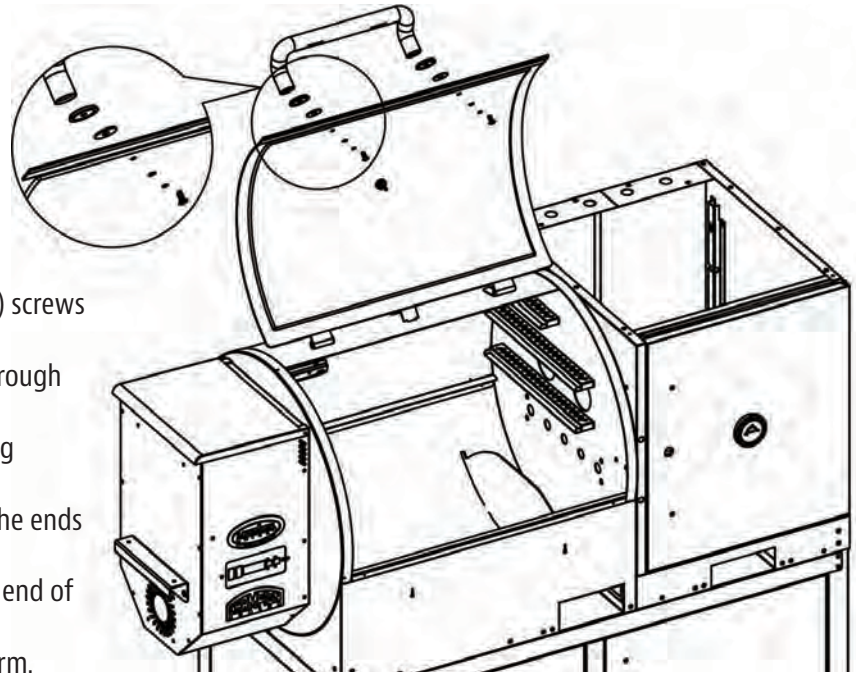
## 7 INSTALLING THE MAIN LID HANDLE

### Parts Required:

- 1 x Stainless Steel Handle with  
2 x Phillips Screws
- 2 x Bezel - Decorative Washer
- 2 x Cardboard Washers

### Installation:

- Using a Phillips screwdriver, remove the two (2) screws from the main handle.
- Insert one screw, spring washer and washer, through the hole provided in the barrel hood.
- Install the metal bezel on the screw end sticking through the barrel.
- Hand thread and tighten this screw to one of the ends of the stainless steel handle.
- Follow the same procedure to secure the other end of the handle to the barrel lid.
- Firmly tighten both screws until handle feels firm.



**CAUTION! DO NO OVER-TIGHTEN!**  
Only a snug fit is required.

## 8 INSTALL THE UPPER CABINET ADJUSTABLE CHIMNEY

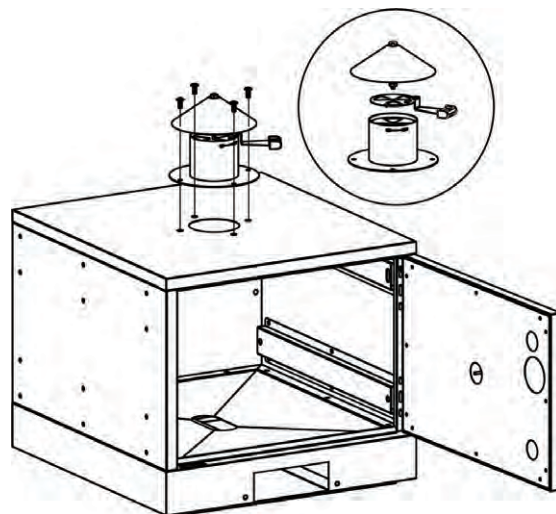
### Parts Required:

- 1 x Upper Cabinet
- 4 x Phillips screws (D), spring washers (F), washers (G)
- 1 x Gasket
- 1 x Adjustable Chimney Assembly  
Base  
Adjustable Damper  
Chimney Cap

**Installation:**

Place the upper cabinet on a table or solid working space, to make installation easier.

- Screw the chimney cap through the adjustable damper and into the chimney base.
- Ensure to leave at least one 25 mm, (1"), distance between the top cap and the chimney base.
- Ensure the adjustable damper works freely.
- Line up the felt gasket to the holes provided on the top of the upper cabinet.
- Place assembled adjustable chimney assembly on top of the gasket.
- Using a Phillips Screwdriver install the four (4) Phillips screws, spring washers and washers, to securely mount the assembly to the upper cabinet.



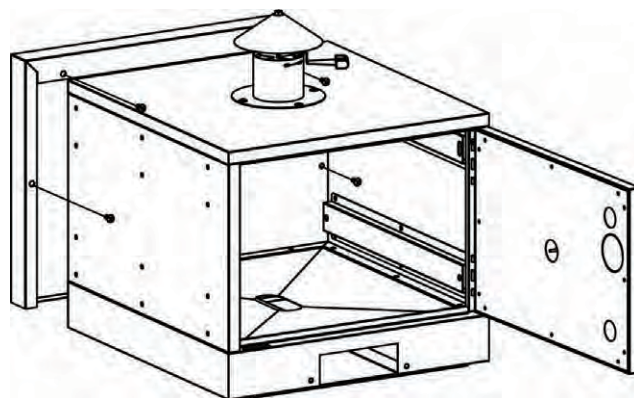
**9 INSTALL REAR HEAT PANEL**

**Parts Required:**

- 1 x Upper Cabinet
- 1 x Rear Heat Panel
- 4 x Phillips screws (D)
- 4 x Spring washers (F)
- 4 x Washers (G)

**Installation:**

From inside the Upper Cabinet, use a Phillips screwdriver to install the 4 screws, spring washers and washers needed to secure the rear heat shield to the cabinet.



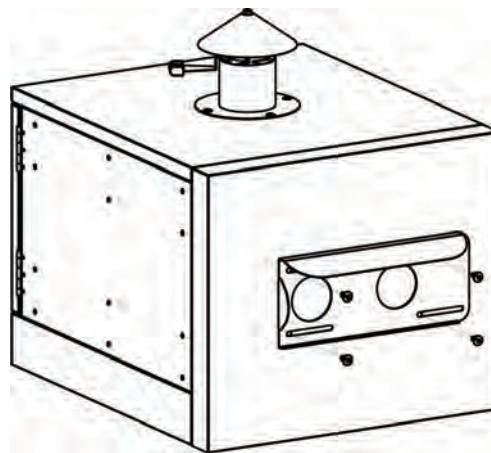
**10 INSTALL REAR EXHAUST CONTROL**

**Parts Required:**

- 1 x Upper Cabinet
- 1 x Rear Exhaust Control Panel

**Installation:**

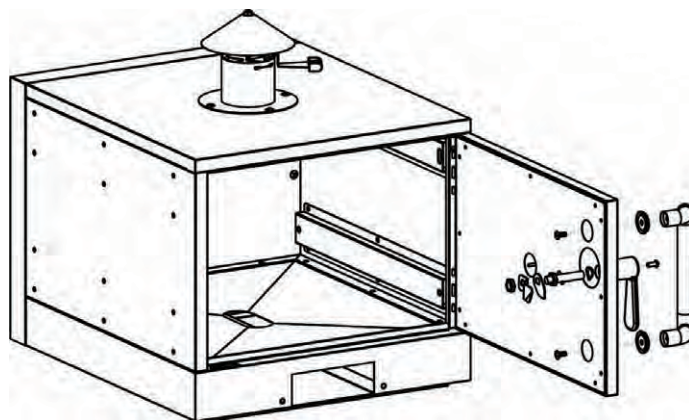
- Remove the four (4) screws pre-installed on the back of the upper cabinet.
- Line up the four (4) holes on the rear exhaust control panel with the four (4) holes provided on the upper cabinet, hand start the screws, tighten using a screwdriver.



**11 INSTALL DOOR HANDLES AND LATCHES**

**Parts required for each cabinet door:**

- 4 x Stainless Steel Handle with 2 x Phillips Screws
- 8 x Bezel - Decorative Washer
- 2 x Twist locking door assemblies





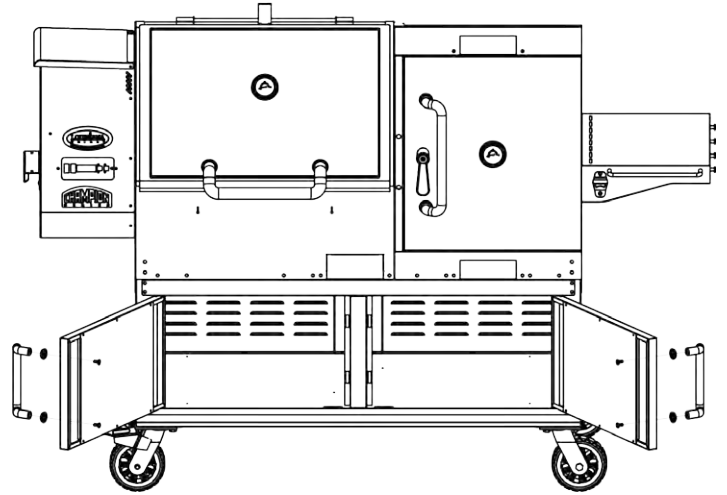
**Installation:**

**Door Handles**

- Remove the two (2) screws from each handle.
- Insert the Phillips screw through the back of each of the 4 cabinet doors, slide the bezel onto the screw, and then line up the handle. Secure in place.

**Twist Lock Handles**

- Remove hardware from the door locking assembly.
- Insert handle through the front of each cabinet door.
- Re-secure the mounting hardware from the inside of the cabinet door.



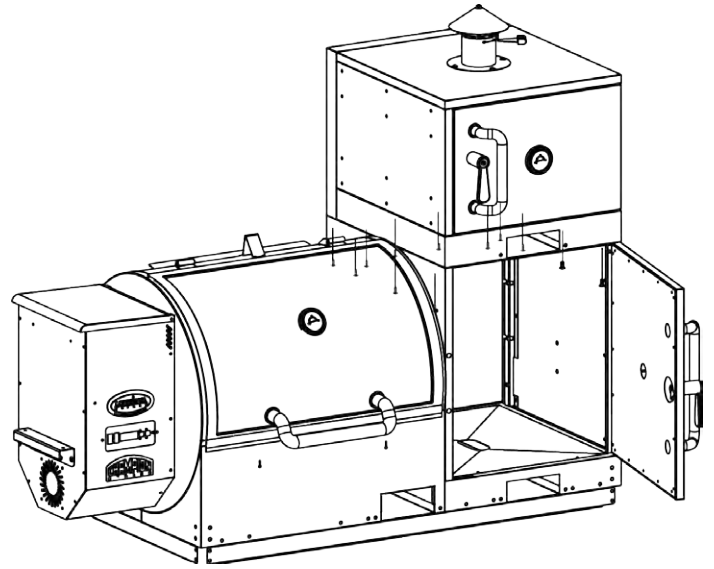
**12 INSTALL THE UPPER CABINET TO MAIN CABINET**

**Parts required:**

- 1 x Upper Cabinet
- 1 x Rear Heat Panel
- 12 x Phillips screws (D)
- 12 x Spring washers (F)
- 12 x Washers (G)

**Installation:**

- Carefully lift the upper cabinet from your working surface and place onto the top of the main cabinet.
- From inside the main cabinet, use a Phillips Screwdriver, to install the twelve (12) screws, spring washers and washers needed.
  - There is one in each of the four (4) corners, and two (2) additional ones on each of the four sides.



**13 INSTALL THE SIDE SHELF**

**Parts required:**

- 1 x Side Shelf - 25.4 cm (10 in.) Long Chrome Hanger Bar w/screws
- 4 x Side Shelf - Tool Hanger w/nuts
- 1 x Side Shelf Top
- 1 x Bottle Opener
- 6 x Phillips Screws (D)
- 6 x Spring Washers (F)
- 6 x Washers (G)

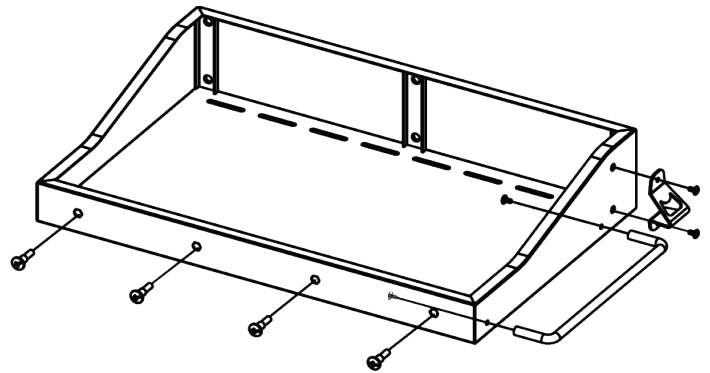
**Installation:**

**Step 1 Tool Hangers**

- Remove the nuts from all four (4) tool hangers.
- Insert individual tool hanger into the four (4) holes provided in the side shelf top.
- Hand tighten each nut, then tighten to a snug, secure fit, using a wrench.

**Step 2 Chrome Hanger Bar**

- Remove the two (2) screws from the bar hanger.



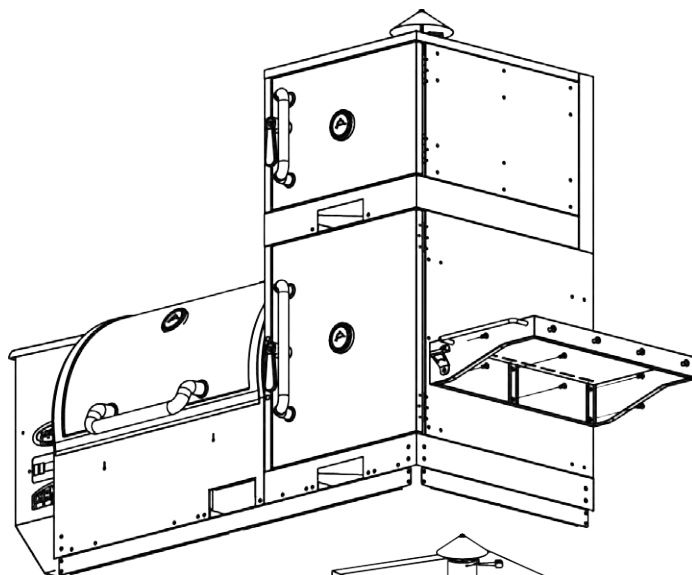
- Insert the screws through the two (2) holes provided in front of the side shelf top, #23.
- Use a Phillips screwdriver to tighten to a snug, secure fit.

**Step 3 Bottle Opener**

- Remove the two (2) screws pre-installed in the shelf.
- Line up the two (2) holes on the bottle opener with the two (2) holes provided on the side shelf top, hand start the screws tighten using a screwdriver.

**Step 4 Side Shelf to Cabinet**

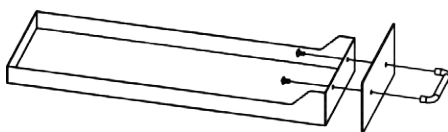
- Begin by hand starting each of the six (6) screws, spring washers and washers, then using a Phillips screwdriver tighten to a firm, secure fit.



**14 INSTALL THE GREASE TRAY**

**Parts required:**

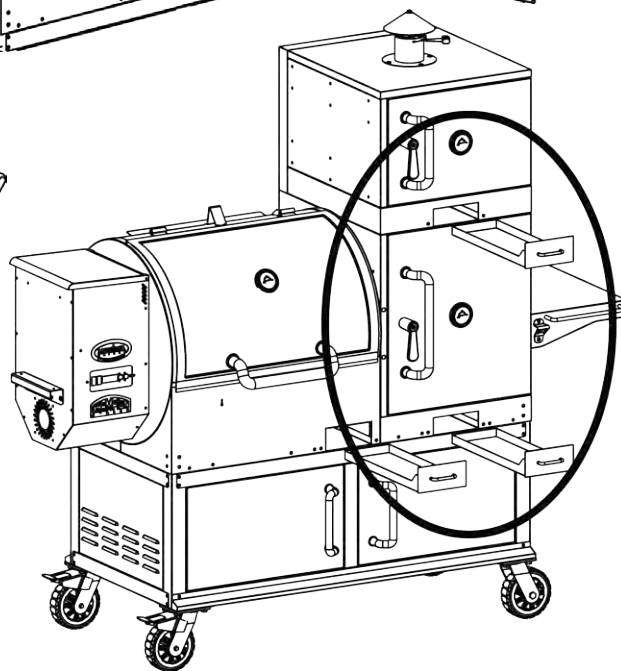
- 3 x Grease Trays
- 3 x Face Plates
- 3 x Handles with screws



**Installation:**

- Remove the two (2) screws from each handle.
- Install the screws through the two (2) holes provided in the front of the grease trays.
- Place one (1) of the face plates onto the two screws, then line up the screws with the handle.
- Use a Phillips screwdriver to tighten to a snug, secure fit.

**TIP:** To aid in cleaning and reduce maintenance, line the grease drawer with foil, or a thin layer of sand.



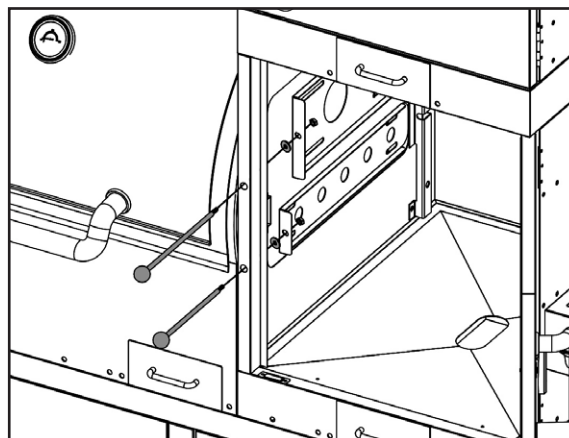
**15 INSTALL THE SLIDER DAMPER**

**Parts required:**

- 2 x Screw-in Damper rods with knobs

**Installation:**

- Slide each of the rods through the front panel of the smoke cabinet.
- Insert the threaded ends into the two dampers found inside the smoke cabinet.
- Turn clockwise until a firm fit is established.



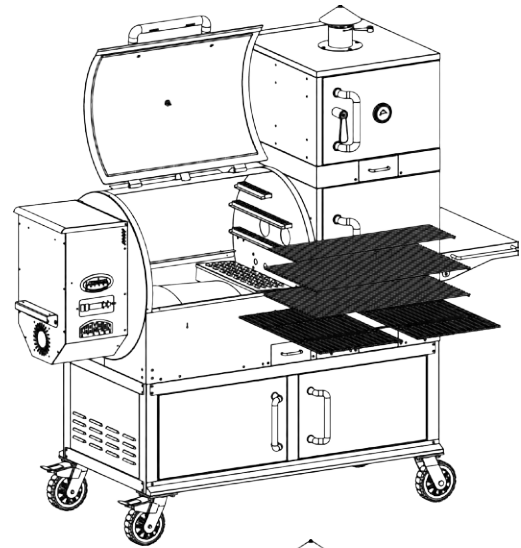
## 16 INSTALL THE MAIN COOKING SURFACES

### Parts required:

- 2 x Porcelain Coated Cast Iron Main Cooking Grids
- 2 x Porcelain Coated Steel Upper Racks
- 1 x Porcelain Coated Steel Upper Rack

### Installation:

- Slip main grids into place
- Set upper cooking grids into appropriate grid holders.



## 17 INSTALL THE RACK SUPPORTS

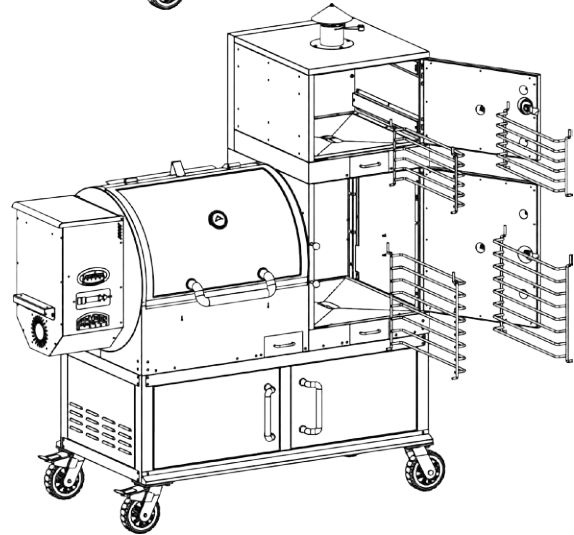
### Parts required:

- 2 x Porcelain coated rack support - short
- 2 x Porcelain coated rack support - tall

### Installation:

#### Step 1 - Upper Support Racks

- Start with the two (2) shorter rack supports, these will be installed in the upper cabinet.
- Hold the rack on a slight angle, and insert the top hooks into the holes provided in the cabinet.
- Slide the rack upwards, to line up the bottom hooks with the holes provided in the cabinet.
- Insert the bottom hooks, ensure a secure fit.



#### Step 2 - Smoker Cabinet Support Racks

- The two (2) larger rack supports are to be installed similar to the upper support racks.

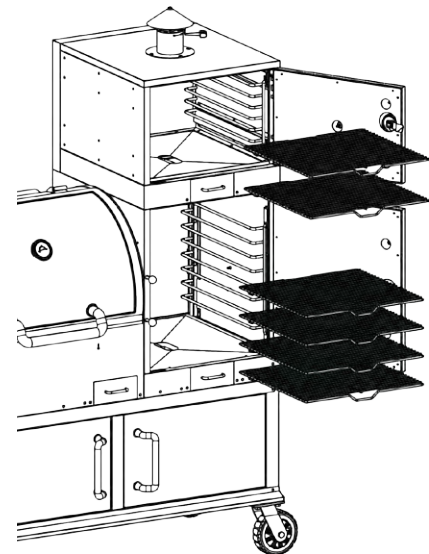
## 18 INSTALLING THE OVEN RACKS

### Parts required:

- 6 x Porcelain coated steel oven racks

### Installation:

- Simply slide any number of racks into the support racks to configure to your cooking needs.



## 19 INSTALL THE STEAMER BOX

### Parts required:

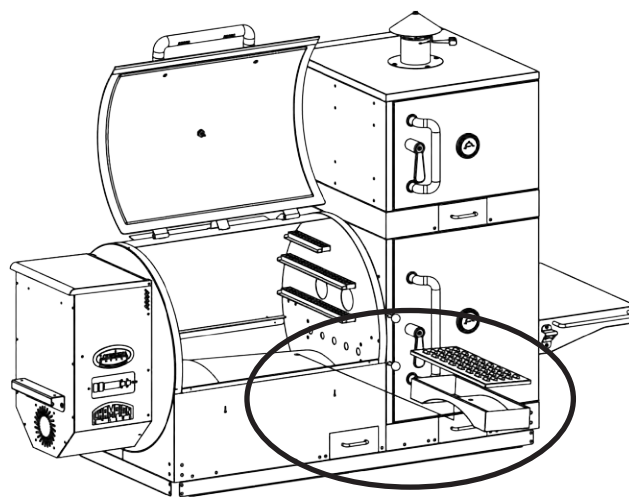
- 1 x Steamer box main body
- 1 x Steamer lid

### Installation:

The steamer box is designed to fit onto the flame broiler and below the main cooking grids. The fan forced convection air along with the hot liquids, making it the perfect accessory for steaming, not only in the main barrel but in the additional cabinets as well.

- Remove the main cooking grids.
- Insert the main steamer body into the hole provided in the right hand-side of the main flame broiler.
- Fill the cavity with water or liquid of your choice.
- Cover with the vented steamer lid.

**TIP:** When not in use, it is best to remove the steam box from the flame broiler and unit.



### FINAL INSPECTION AND CLEANING:

ALWAYS clean dirt, dust and oils from ALL stainless steel and painted surfaces before you use the unit. These can cook into the metal and discolor it.

Using a soft cloth and hot soapy water, thoroughly clean all surfaces and ensure all screws are secure. Stainless steel cleaner and a soft rag can be used on all stainless surfaces.

### HOOKING UP TO POWER:

#### AT HOME

- This appliance requires 110 volt, 60Hz, 5amp service.
- It must use a 3 prong grounded plug.
- The "Digital Control Centre" oven temp control uses a 3.1 cm x 0.6 cm (1 ¼ in. x ¼ in.), 5 amp 110 volt fuse to protect the board.

#### GFI Outlets

- This appliance will work on most GFI outlets. Recommended size 15 amp.
- If your GFI outlet is highly sensitive to power surges, it will very likely trip during the ignition phase of operation. During the ignition phase, the igniter is drawing 300-700 watts of electricity which can be too much power for a GFI outlet to handle. The quality of the GFI does not matter, rather the sensitivity. Each time a GFI trips it does increase in sensitivity.

**Solution 1:** Install a brand new GFI

**Solution 2:** Plug the appliance into a non-GFI outlet.

#### ON THE ROAD

- By disconnecting the igniter, from the main wiring harness, your grill can be run using a 12 volt, 100 watt "POSITIVE WAVE LENGTH" inverter plugged into your automobile outlet. Then light your smoker using the manual method (found in lighting instructions).
- If you do not want to continue to use the automatic igniter, it is recommended to use a minimum of a 1000 watt "POSITIVE WAVE LENGTH" inverter.

## KNOWLEDGE IS POWER

### 3 COOKING ZONES

#### Cooking Zone 1 - Main Barrel: 82° - 315°C / 180° - 600°F

- This is where your heat, air and flavor is supplied from for the entire unit. When the dampers inside your hot smoker are completely closed you will maintain convection heat within the main barrel.

- A "CLOSED" arched flame broiler protects the food from direct contact with the flame; gives a large hot metal area to help evaporate the juices back into the cooking resulting in added flavor, channels excess grease directly to a grease pail; and distributes the heat evenly throughout the cooking area.
- An "OPEN" arched flame broiler allows for direct contact of the flame and intense heat to the food. An open flame broiler also results in less air convection within the unit.
- The natural smoke flavor produced by the burning pellets, the "arched flame broiler" and the fan induced "convection cooking" combine to give you the savory flavor and even cooking that is unique to pellet grills and will win you rave reviews each time you use it.

**Cooking Zone 2 - Hot Smoker Cabinet: 65° - 176°C / 150° - 350°F**

- The bottom cabinet is your hot smoking cabinet. Inside the cabinet, on the left side wall are two dampers. These dampers control the air flow from the main barrel. Play around with these to find what works best for you and your needs.
- Top damper closed/bottom damper open: Gives you additional cooking space while maintaining the convection heat in your main barrel.
- Both dampers open: Maximizes the temperature in your lower cabinet but causes the main barrel to lose convection heat.



**Cooking Zone 3 - Cold Smoker/Warming Oven: 15° - 82°C / 60° - 180°F**

- The upper cabinet is your cold smoking/warming oven. Use the rear exhaust control panel and the adjustable chimney to reduce the temperature inside of the upper cabinet.



**DAMPER CONTROLLED CHIMNEY**

- Adjust the chimney damper to create a natural updraft within the unit. This affects both the lower and upper cabinet.

**TIP:** Your LG Champion series pellet grill can run efficiently over extended periods of time and at different heat output levels, as long as the fuel supply is dry, the burn grate is seated correctly, and timely cleaning and maintenance is performed.

**INITIAL SET-UP PROCEDURE**

Please note that during shipping, or moving around on your deck, some movement within the grill may have taken place, so a complete visual inspection is required. Please follow these initial set-up procedures to ensure proper and safe operation of your grill.

**TIP:** It is highly recommended practice to always go through these basic SET UP PROCEDURES, after every 1 to 2 cooking's. This will ensure proper ignition, heat output and many continuous happy grilling experiences.

**Step 1**

Open the main SMOKER LID and remove the cooking grids (13).

**Step 2**

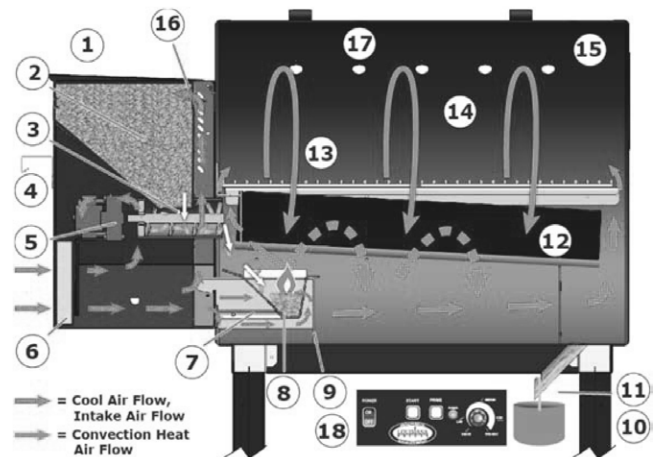
Remove the "arched flame broiler" (12). Remove the packing material.\* The coating on the flame broiler is a food based grease.

**Step 3**

Remove the stainless steel burn grate (8) and inspect the burn pot (9). Remove any foreign items. Ensure that the air holes in grate (8) and the igniter (7) are clear of debris.

**Step 4**

Re-install the burn grate (8). Ensure that the stainless steel grate is sitting down and snug in the burn pot (9) and that the igniter is lined up properly with the hole in the burn grate.





**Step 5**

Re-install the "arched flame broiler" (12). The larger piece of the "arch" should be facing upward and the flame slots close to the hopper end of the barrel. This then sits on the mounting bracket and grease divider plate. The slot hooks over the movable hanging bracket found over the pellet fuel drop area. Ensure that this mounting bracket is snug against the barrel. The second piece of flame broiler then fits on top of the first and then slide "closed".

**Step 6**

Re-install the cooking grids (13).

**Step 7**

Ensure all 3 grease drawers are installed, cleaned and ready to go.

**Step 8**

Open the hopper lid (1) and check for any foreign materials. Fill the hopper (2) with your choice of all natural wood pellet fuel.

**Step 9**

Open and inspect both of the smoker cabinets. Remove any foreign items.

**Step 10**

Pull and push on both of the air transfer rods, to ensure easy operation.

**Step 11**

Plug it in. Start it up. Get grilling!

**DIGITAL CONTROL CENTER - G2**

This P.I.D. (proportional-integral-derivative) control is very much the same as the control on your kitchen oven. The main advantages are the ability to automatically compensate for the different ambient conditions and fuel types allowing for longer, carefree BBQ as well as the programmable meat probe function.

Remember: Much like your kitchen oven, the ACTUAL temperature does fluctuate up and down depending on weather, the flavor of pellets being used, and the amount of food on the grill.



**TEMPERATURE AGREEMENT BETWEEN INSTRUMENTS**

The temperature inside of any grill will vary from location to location. Even the instruments calibrated together, will not agree with each other.

**ON / OFF TOUCH PAD**

This pressure sensitive touch pad is used to turn the control "ON", which initiates the automatic "START-UP" mode. This is also used to turn the control "OFF", or activate the "SHUT DOWN MODE."



**PRIME TOUCH PAD**

This touch pad performs the same function as it has with any Louisiana Grills board. Asked for from the competition cookers. When the touch pad is pressed and held, the FUEL FEED system will turn and feed more pellets to the burn grate. This can be used to add more fuel just before opening the grill lid, resulting in a quicker heat recovery time. It can also be used to add more fuel, while smoking, to increase the amount of clean smoke flavor intensity.



**COOK TEMPERATURE UP AND DOWN TOUCH PAD**

By pressing either the UP or DOWN arrows, the LED read-out can be moved by 5 degree increments. The temperature can be set as low as 82°C / 180°F, for hot smoking to a high of 315°C / 600°F, for searing your steaks and hamburgers. Also used to perform the same task with the meat probe.



**LED DISPLAY SCREEN**

This screen is used to display temperature read-outs, as well as displaying error messages, and power up read-outs. Temperatures can be displayed in either Fahrenheit or Celsius.



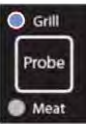
### TEMPERATURE DISPLAY

By pressing the TEMP display touch pad, the LED display screen will show and allow movement in either the "ACTUAL" temperature read-out or the "SET POINT", desired temperature. The small LED beside both settings is used to indicate which temperature is presently being displayed.



### PROBE SELECTION

By pressing the PROBE display touch pad, the LED display screen will show and allow movement in either the "GRILL" probe temperature read-outs or the "MEAT" probe temperature readings. The small LED beside both settings is used to indicate which probe temperature is presently being displayed.



### PROGRAMMABLE MEAT PROBE

Designed using the latest in solid state electronics, the digital control center now makes it even easier for anyone to slow smoke, bake or sear like a professional "Pit-master." Not only will the control give you the ability to set and automatically maintain your desired cooking temperature (82°C / 180°F Hot Smoke to 315°C / 600°F Searing) just like your indoor oven, but now with the addition of a separate food probe, it will cook your food to your desired internal temperature, then adjust the control to a "keep warm" temperature. Along with the true convection cooking within the grill, keeping your culinary delight from drying out, all you have to do is to set it, then relax or even sleep soundly while the digital control center will do the rest.



This screen is used to display that there is no internal (meat) probe connected to the digital control center, when the meat probe selection has been selected.



### PROGRAMMABLE INTERNAL FOOD PROBE

The digital control center programmable food probe is the newest addition to the Louisiana Grills family and is a "must have" tool for the beginner or professional "Pit-master." By simply plugging the internal food probe into the board, then placing the stainless steel probe into your culinary delight, and finally setting your desired meat probe temperature, not only will it cook your primal feast, to your setting, but it will automatically reduce your pit temperature to its lowest setting to keep food perfectly done, the way you like, every time. So sit back, relax or enjoy a good night's sleep and get ready to "Savor the Flavor."

#### HOW TO:

##### PROBE PLUG-IN

Insert the 3.5mm (1/8 in.) audio-style plug from the food probe into this female adapter. Ensure it is inserted all the way into the plug, you will feel and hear it snap in place. This can be plugged into the board at any time.



##### CONTROL POWER ON/OFF TOUCH PAD

Press this touch pad to activate the control. Blue LED read-out will light up, the fan will start, the pellets will begin to feed, and the igniter will begin to glow.



##### GRILL COOKING TEMPERATURE

Press the probe pad to "GRILL." Press the temp pad to "SET POINT." Use the cook temp "up" or "down" arrow to select your desired grill temperature from 82°C / 180°F to 315°C / 600°F. Press the probe pad a second time to show actual grill temperature.



##### FOOD PROBE TEMPERATURE

Press the probe pad to "MEAT." Press the temp pad to "SET POINT." Using the temp arrows, "up" or "down" to select your desired internal food temperature. The probe can be set from 10°C / 50°F to 107°C / 225°F. Press the temp pad a second time to show the actual meat probe temperature.



**TIP:** Based on how long you will be away from the grill, set your desired temperature 10 to 15 degrees below your liking, as the food will continue to rise in temperature somewhat, as the grill cools, and idles at the lowest temperature. Ensure it is inserted all the way into the plug, you will feel and hear it snap in place.

#### "SAVOR THE FLAVOR"

The digital control center will automatically cook your food until the "desired" food probe temperature is met. The control will

then automatically drop the "grill" cooking temperature to 82°C / 180°F. It will alert you by an audio "BEEP", six times. The grill temperature set point will automatically drop to 82°C / 180°F.

**TIP:** To aid in cleaning, spray the meat probe with a non-stick spray or wipe with cooking oil before using.

**TIP:** All our digital controls and probes do have a manufacturer +/- tolerance. It is normal for the temperature readings to be off by a few degrees.

## OPERATION:

**Caution:** Both the grill probe and the meat probes are made of high temperature material that can withstand high temperatures, but it is important to avoid exposing these thermocouple wires to direct flame or extremely high temperatures which can exceed their temperature ratings.

## MEAT PROBE PLACEMENT

Temperature probe placement is important.

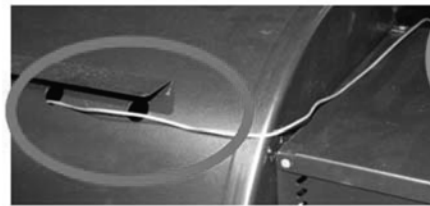
**DO NOT** use the meat probe when using the flame broiler in the open position.

The stainless steel end of the meat probe, should be inserted into the meat so that the tip is located in the thickest portion of the meat.

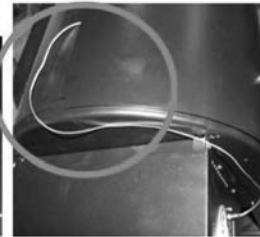
The meat should be oriented on the grill, so that the probe wires exit the grill/smoker away from direct contact with the flame or excess heat. The probe wire then can be run to the control a number of ways to aid in keeping out a direct contact with flame.



Through the barrel end,  
On 2014 units.



Through the rear exhaust holes.



Through the top of  
the barrel. Between  
The lid and barrel.

## MEAT PROBE HANGER

There are two holes, found in the hopper end handle that can be used to place your meat probe, when not in use, or to keep the probe in a clean, protected area, until it can be cleaned and stored away.

## MAINTENANCE

1. DO NOT leave the probe plugged into the control, when not in use.
2. DO NOT kink or fold the rugged stainless steel mesh protected wires, on either the grill and meat probes.
3. DO NOT roll up the wires in a tight ball. Wires should always be rolled up in a fairly large, loose coil.
4. DO NOT wrap the probe wires in foil.
5. DO NOT place the probe or wires in the dishwasher, or submerge in water. The water could get into the internal wires or connections and short out the probe. This will result in false readings. Once the probes have shorted out, there is no way to bring them back to working status, they must be replaced.
6. DO keep the solid stainless steel probes clean. Both the grill probe and meat probe can be wiped clean, after they have cooled down, with a soapy kitchen scrubby or cloth.

With today's lifestyle of striving to eat healthy and nutritious foods, one factor to consider is the importance of reducing fat intake. One of the best ways to cut down on fat in your diet is to use a low fat method of cooking, such as grilling. Because a pellet grill uses natural wood pellets, the savory wood flavor is cooked into the meats, thus reducing the need for high sugar content sauces.

Throughout this manual you will notice the emphasis on grilling food slowly at MEDIUM (135-190°C / 275-375°F) temperature settings. Because of the benefit of convection cooking and the use of the "arched flame broiler" your LG Champion Grill will enable you to avoid flare-ups and maximize the nutritional value of the foods that you cook.

**The following is a list of the important tips that will contribute to the cooking perfection that you expect when using your LG Champion pellet grill/smoker.**

**Environment:** As with all barbecues, the outside weather conditions will play a big part in the performance of your smoker and the cooking time needed to perfect your culinary delights. Your LG Champion smoker, because of its single wall construction, should be considered as a 2 to 3 season grill, depending on what part of the country you live in. For greater detail on grilling and weather conditions, see the "HOT" and "COLD" weather tips found at [www.louisiana-grills.com](http://www.louisiana-grills.com).

**Grill Placement:** All LG grills should always be a minimum of 45.72 cm (18 inches) away from any combustible surface behind or beside the grill. Your grill does come with wheels or casters to make movement easier. If you are able to shelter your smoker from the wind, this will aid in temperature output, heat retention, and heat recovery time when opening the lid. Turning the smoker a ¼ turn, keeping the smoke vent holes out of the wind, will result in better temperature output.

### Operating the Grill:

#### *Initial Burn Off*

Before cooking on your smoker/grill for the first time, we recommend that you "burn off" the grill to rid it of any foreign matter. Light and operate the grill on High, or above 232°C / 450°F, with the lid down, for 30-40 minutes.

#### *Lighting your Grill*

It is recommended practice to always go through the SET UP procedures after every 1 to 2 uses. This will ensure proper ignition and many happy grilling experiences. Light as per instructions, found in this manual. If the grill fails to light, this is most likely due to a dirty or full burn grate blocking the auto igniter air passages (refer to lighting instructions found elsewhere in this manual).

#### *Pre-Heating*

It is extremely important to ALWAYS allow your grill to preheat, reach temperatures over 232°C / 450°F for over 5 to 10 minutes, before cooking, each and every time. This allows the grill and cooking grids to heat up quicker; it burns off any bacteria or foreign material left over; and grill is able to maintain its cooking temperature once your food is placed in the cooking area. When you do not take time to PREHEAT, you will find that it takes a much longer period of time to bring both the grill and food to cooking temperature.

Always PREHEAT your smoker with the lid closed. Set your temperature control to 232°C / 450°F, start your grill, and allow your grill to PREHEAT (232°C / 450°F OR OVER) for 5 to 10 minutes. This gives you plenty of time to prepare your food for the grill, as well it is the final step in cleaning your cooking grids.

**NOTE: After Pre-Heating is complete, set your desired cooking temperature, and leave your lid open until the actual temperature is close to your desired temperature.**

#### *Lid Position*

Always cook with the lid closed. Not only does this keep the temperature even, the food will cook faster, and you will use less fuel by taking advantage of the fan forced convection cooking. A closed lid also helps to create that savory smokier flavor. You can slow down your cooking by propping up the lid using a grid lifter.

**CAUTION:** Grease fires are caused by not properly maintaining your grill, or failing to clean the bottom of the barrel on a consistent basis. In the unlikely event you experience a grease fire while cooking, quickly remove any food items, and then close the lid. If it does not go out in a very short time, open the lid and lightly sprinkle baking soda on the fire. Be careful not to burn yourself. If this does not work, then turn OFF the control board, to stop the pellets from feeding, and shut the lid until the fire is completely out.

**The following is a list of the important tips that will contribute to the cooking perfection that you expect when using your LG Champion pellet grill/smoker.**

**Note: The temperature readout on the control board may NOT exactly match the dome thermometer.**

#### *High Temperatures 204° - 315°C / 400° to 600°F*

The HIGH range will give an oven temperature of over 204° - 315°C / 400 to 600°F, depending on the weather. This setting is used to quickly preheat your grill as well as to finish the cleaning cycles for the cooking grids and the "arched flame broiler." Could also be used as a HIGH setting in extreme cold weather conditions or if cooking with the hood open. May also be used with the arched flame broiler open to create those "dirty or blue" steaks as well as flame kissed vegetables, garlic toast or even s'mores.

#### *Medium Temperatures 135° - 177°C / 275° to 350°F*

This range is best for baking, roasting, and finishing off that slow smoked creation. This range will greatly reduce the chances of a flare up, with the arched flame broiler in the CLOSED position. Great range for cooking anything wrapped in bacon, or where you want control.

#### *Low Temperatures 82° - 122°C / 180° to 250°F*

The LOW setting will give an approximate oven temperature of 82° - 122°C / 180° to 250°F. This setting is used to slow roast; to increase the smoke flavor; to keep foods warm; and many other savory things. Highly recommended for the BIG BIRD at Thanksgiving, Easter ham, or that huge Christmas feast.

Smoking is a variation on true barbecuing and is truly the main advantage of grilling on a wood pellet grill. There are two types of smoking: HOT SMOKING and COLD SMOKING.

Hot smoking, just another name for barbecuing is generally done at 82° - 122°C / 180° to 250°F. Hot smoking works best when longer cooking time is required, such as large cuts of meats, fish, or poultry.

Cold smoking is where the food is located so far away from the fire that it smokes without cooking, and at temperatures of 15° - 32°C / 60° to 90°F.

**TIP:** The temperatures listed above are all approximate and will be affected by the outside temperature, the amount and direction of wind present, the length and type of pellet fuel being used and the number of times the lid is opened.

**TIP:** To intensify that savory flavor, switch to hot smoke (low) temperature range immediately after putting your food on the grill. This allows the smoke to penetrate the meats, before the pores in the meat close at 49°C / 120°F.

### **After Cooking - "Cleaning Up"**

One of the greatest benefits of your LG Champion grill is the minimal clean up required. When you are finished cooking and waiting just a little while to let the flavor set in that prime selection of meat, we recommend the following:

1. Using a long handle grill cleaning brush, brass or soft metal, to remove any food or build-up from the cooking grids, while it is still warm.
2. Turn the temperature control to HIGH (450+) for 5 minutes. Let the grill heat up, then push the STOP touch pad and you're done. The control will stop feeding pellets, but the fan will continue to burn them properly, till they burn out, and then the unit will shut down automatically in 20 minutes or below 54°C / 130°F.
3. A quick wipe up of the powder coat surfaces, using a cloth, warm water and mild soap, will keep the unit looking like new.
4. Let the smoker cool and put your LG Champion smoker to bed with the optional grill cover.



# GETTING STARTED

## START-UP PROCEDURE - AUTOMATIC

**Always inspect, and clean if necessary, the burn pot, burn grate, igniter, flame broiler, cooking surfaces, hopper and wood pellet fuel before using your grill.**

**Step 1:** Plug the power cord into a 110Volt grounded electrical outlet. DO NOT break the ground end off the cord or use a non-grounded outlet or extension cord.

**Step 2:** Lift the hopper lid. Ensure that there are no foreign objects in the hopper or feed system. Fill the hopper with only dry, all natural wood, BBQ wood pellets.

**Step 3:** Press the ON/OFF touch pad. The "START UP" mode will begin. The feed system will begin to feed fuel at the pre-set software rate, the fan will begin to operate, and the igniter will begin to get hot. The START UP mode is timed to last at least 20 minutes or until the appliance reaches an operating temperature of 65°C / 150°F.

**Step 4:** Press the ARROW UP button to a HIGH temperature to pre-heat and clean your grill.

**NOTE: FOR HEALTH SAFETY IT IS HIGHLY RECOMMENDED TO ALWAYS PREHEAT YOUR GRILL BEFORE ADJUSTING TO YOUR FINAL TEMPERATURE.**

**Step 5:** After allowing the grill to PREHEAT, use the ARROW touch pads to set your desired temperature.

**TIP:** When reducing your desired temperature to a lower setting, it is highly recommended to lift the lid until the ACTUAL temperature is relatively close to the new DESIRED temperature.

## START-UP PROCEDURE - MANUAL

**Step 1:** Plug the power cord into a 110Volt grounded electrical outlet. DO NOT break the ground end off the cord or use a non-grounded outlet or extension cord.

**Step 2:** Fill the hopper with dry, all natural, BBQ wood pellets. Ensure that there are no foreign objects in the hopper or feed system.

**Step 3:** Remove the cooking grids and flame broiler. Remove, clean and replace the burn grate.

**Step 4:** Place two (2) generous handfuls of pellets into the burn grate.

**Step 5:** Using gelled fire starter, or other approved pellet starter, into the burn grate over the top of the pellets.

**Step 6:** Light the starter using a long fireplace match or long lighter.

**NEVER ATTEMPT TO ADD MORE STARTER INTO A FIRE THAT IS ALREADY BURNING OR INTO A HOT BURN GRATE. YOU COULD EXPERIENCE A BURN BACK AND COULD GET SERIOUSLY BURNT.**

**Step 7:** Allow the starter to burn the pellets for the 3 to 5 minutes.

**Step 8:** Carefully replace the flame broiler and cooking grids.

**Step 9:** Follow the steps 3 to 5 found in the AUTOMATIC start-up procedures (above).

## SHUTTING OFF YOUR SMOKER

Your Champion pellet grill will give you many years of flavorful service with minimum cleaning. An important step is allowing the grill and cooking grids to "self-clean" by running the grill on HIGH or PREHEAT temperatures for 5 to 10 minutes after each use, over 232°C / 450°F.

When finished cooking on your Champion, set your desired temperature to 232°C to 260°C / 450°F to 500°F. Let your grill run for 5 to 15 minutes, depending on what you just cooked, to go through its normal cleaning method. If you were preparing meats that were extra greasy, such as anything in BACON, it is a good practice to allow the grill to burn off for an extra 10 to 20 minutes. You could experience a grease fire, but DO NOT PANIC, DO NOT UNPLUG the appliance, just leave the lid closed and let the grill burn itself out naturally. Much like a self-cleaning oven This will greatly reduce the changes of "flare-up" while you are preparing your next savory meal.

When cleaning is complete, simply push the STOP touch pad. Your grill control will begin its automatic SHUT DOWN or COOL DOWN procedure.

- The FEED system will stop feeding fuel.
- The flame will burn itself out naturally.
- The combustion / cooling fan will continue to run until the unit cools to 54°C / 130°F.
- When the procedure is complete the FAN and POWER LED will turn OFF.

If you forgot to grill desert, you can press the START touch pad. If the actual grill temperature is above 65°C / 150°F the grill will continue to operate as normal. If below 65°C / 150°F it will go through the START UP mode again.

## GRILL MAINTENANCE

There are two extremes when it comes to keeping the grill clean. Those that must spit and shine the entire grill, in and out, after every use, and those whom are convinced that cleaning only takes away from that barbecue flavor. One simple rule: EVERYTHING IN MODERATION!

**TIP: Be diligent in your cleaning and maintenance program. Taking care of your grill will add years of life to it and keeps it looking great.**

### STARTING THE SEASON OUT RIGHT

A little time and effort at the beginning of the season will not only help extend the life of your grill but will also ensure the reliability of it. Making you look like the "King or Queen of the grill!" Most of the cleaning techniques are below. Check with your local dealer, they may provide a yearly maintenance program and inspection service.

### STAINLESS STEEL WORKING SURFACES

ALWAYS clean dirt and dust off all stainless steel surfaces before yo begin to cook. The dirt can cook into the metal and discolor it. These can be easily cleaned with hot soapy water and a soft cloth. A quick swipe of "stainless steel cleaner" and a soft rag will also work, but you must be careful not to apply it to the painted surfaces or interior parts. With the popularity of stainless steel appliances increasing, there are now many commercial products made to clean and protect stainless steel surfaces.

### POWDER COAT OR PAINTED SURFACES

**Powder coat or paint and maintaining these coat surfaces are not covered under warranty. This is part of general maintenance and upkeep.**

Be sure to cure your brand new LG Champion smoker for at least 30 to 40 minutes before using it for the first time. This allows the finish to cure properly and allows for that "NEW SMOKE SMELL" and manufacturing residue to be burned off. **DO NOT use oven cleaner, abrasive cleaners or pads on the finished surfaces.**

Once installed, maintaining the initial appearance of any finish is a simple matter. The smoke and grime which builds up on surfaces from time to time contains moisture and salts which will adversely affect the powder coating and must be removed. Finish coatings should be washed down regularly. The coating should be washed down with soapy water - use a neutral detergent - and rinse off with clean water.

When powder coated items are installed without damage to the powder coating and they are maintained regularly, they should be relatively permanent. The correctly applied coating, although not metallurgic ally bounded to the metal, should not crack, chip or peel as with conventional paint films.

NOTE: If for any reason you do experience scratches, wearing, or flaking of the finish, both powder coat and paint finishes can be touched up or repainted using high heat BBQ paint.

## COOKING GRIDS

When new, wash thoroughly with warm soapy water, place back in the smoker and PREHEAT the grill for 20 to 30 minutes. After the completion of grilling, open the lid and with a long handle grill cleaning brush give the grids a thorough cleaning. If you do not have a cleaning brush use long handle tongs and a balled up piece of aluminum foil wrap. Next turn the grill to "High" or "Preheat" temperature until only an occasional wisp of smoke is seen (about 5 minutes). This will remove most of the material that builds up on the cooking grids.

The next time you grill allow the smoker to PREHEAT for 10 to 15 minutes to complete the cleaning cycle. Give the grids a quick wipe down with your cleaning brush. Applying a thin coating of cooking oil on the grids before placing your meat on them will also decrease your cleaning time, as well as allowing to move your food easily without sticking and tearing.

## THE BIG COVER-UP

Your finish will help in protecting your grill from the detrimental effects of weather and outside pollutants. As with any outdoor product, however, a cover is only as good as the maintenance given to the grill. Following the recommended maintenance included in this manual will add greatly to the life of your grill.

### Helpful Hints

#### *DO's*

- Keep your LG grill cover clean. This is your best protection against mildew which will form on any dirt or foreign material allowed to accumulate on top or bottom of the fabric. Use a cleaner or product that will not only clean but will also protect.
- Have any small tears or punctures repaired promptly.
- Keep away from pets.
- Keep all shrubs and vines away from your grill cover as many plants contain acids, which harm fabrics.

#### *DO NOT*

- Cover your grill while the grill is still hot.
- Store anything on the top of your grill cover.
- Permit leaves, twigs or other organic debris to remain on the cover for long periods of time.
- Use high-pressure hoses or steam to clean.
- Use wire or stiff brushes, harsh detergents, abrasive cleaners or chlorine on your grill cover.

## ARCHED FLAME BROILER

This requires very little work, because of its construction and type of material used. From time to time you may need to brush off any burnt leftover, such as melted cheese or that extra thick BBQ sauce. The best time to clean and inspect is when you perform the initial set-up procedures after every 1 to 3 uses.

The grease channels do need to be cleaned from time to time to eliminate build-up, allow the grease to flow freely to the grease catch area and to allow for easy movement of the flame broiler slide top.

The main flame broiler comes with notches on either end. These notches are used to hook the flame broiler to the mounting bracket. This does allow you to place the flame broiler in backwards, so that you can do a burn off of any build up, making clean up easier.

## THE COOKING CHAMBER

To start the season fresh, then maybe 2 to 3 times during the grilling season, it is recommended to remove the arched flame broiler and burn grate. Then give the entire interior a good cleaning, de-greasing and vacuum, to remove everything that may have accumulated.

- Ensure that the grill is COMPLETELY COLD before using your shop vacuum or before scooping out the disposing of the ashes.
- You may want to use soapy hot water, a kitchen de-greaser, etc. to clean the entire inside of the barrel. This does reduce grease build-up and the possibilities of flare-ups.
- Check and clean any debris build-up within the grease spout.

## BURN POT

The burn pot is the pot that the burn grate sits in. It has a solid, sealed bottom along with a slot, to permanently screw the pot to the barrel bottom as well as two screws to secure it to the barrel end.

The burn pot is also sealed to the barrel end, inside and outside, as well as along the bottom.

The main function of the burn pot is to house the igniter assembly and to channel the fan forced air into the burn grate, thus there is very little maintenance required. Occasionally you may either vacuum or brush out any ash build-up or burn debris that has fallen below the burn grate.

It is crucial that the burn is sealed tight to the barrel side wall, tight to the barrel bottom, and is hooked and screwed in place to ensure proper placement. You can check the air tightness of the burn pot, simply by placing some of the fine fly ash around the outside of the pot and turn on your fan. The seal is good if the fly ash is not blown away from the burn pot.

## STAINLESS STEEL BURN GRATE

**The proper maintenance and seating of the burn grate is crucial to proper grill performance.**

Periodically check the air holes found on the sides of the burn grate for any blockage or build-ups.

Using a wire brush or flat-head screwdriver, scrape off any build-up or debris. If there is extreme build-up blocking the holes, you may wish to drill the holes clean.

Using "steel wool" or fine sand paper, wipe down any build-up or burn residue on the slide part of the burn grate. Any residue or debris will stop the pellets from sliding completely into the burn grate.

When re-installing the grate, confirm the proper seating in the burn pot. The grate is seated straight, igniter hole and igniter line up and there is little play from side to side in the burn pot.

## IGNITER

The 300 watt electric igniter needs very little maintenance. Confirm that the igniter is free of debris or blockage. Use a coat hanger or skewer to clean any debris out from between the igniter hot rod and the housing.

Check the position of the hot rod, within the igniter tube. The hot rod should be flush or slightly inside, with the angled front end of the housing. You may have to loosen one (1) of the set of screws holding the hot rod in place.

Check that the four (4) set screws securing the hot rod into the stainless steel casing are snug. DO NOT over-tighten.

## GREASE CATCH AREAS AND DRAWERS

Always be sure the grease catch area is clean and free of debris. Not only check the drawer, but check and clean the main catch air at the end of the flame broiler, as well as the tube leading from there to the drawer.

During the warmer months empty any grease build-up on a more frequent basis to avoid it from going rancid and to avoid any extra creatures enjoying your grill.

## SLOWING DOWN... NOT PUTTING AWAY FOR THE SEASON

We recommend that at least once a month, while your grill is cold, that you should perform not only the above maintenance procedures, but also include the following.

1. Using a stiff vegetable brush, knock-off any build-up scale in the inside walls of your grill.
2. Using an old paintbrush, brush off any ash build-up found inside the firebox, grate and arched flame broiler.
3. Give your entire grill a good cleaning with a shop vac. when cool to the touch, then a quick wash and rinse.
4. Finally, visually inspect the powder coat or painted finish. Touch up any scratches with the proper touch-up paint.

## LG CHAMPION FAN COOLED HOPPER ASSEMBLY

**WARNING: ALWAYS DISCONNECT THE POWER TO YOUR GRILL BEFORE PERFORMING ANY SERVICE.**

### Outside the Hopper:

There are a number of very quick checks that should be performed on the OUTSIDE of the hopper assembly:

1. Check and clean any debris from the fan air intake. Eg. Spider webs, tree fluff, etc. Ensure there are no obstructions within 45.72 cm (18 inches) of the fan air intake.

2. Check and clean debris from the air vents, found on the front and back sides.
3. Inspect and clean the fuel hopper area  
Remove the four (4) screws securing the hopper safety screen.  
Two (2) in the hopper and two (2) on the access panel, on the end of the hopper.

To aid in protecting the galvanized metal and to allow pellet fuel to slide easily, you can apply a coating of car wax.

Inspect the metal auger area. Check and clean any sawdust build-up and debris. An excess build-up of lines will lead to improper feeding and temperature changes.

#### Inside the Hopper Access Panel:

You can remove the eight (8) screws securing the "access panel" to the end of the hopper assembly. There are four (4) along the top, two (2) in the middle, and two (2) on the bottom edge.

This will allow you to perform the following within the hopper assembly:

1. Check and clean any debris within the hopper housing.
2. Check and clean any debris from the fan blades or housing.
3. Check and clean any debris from the auger motor.
4. Visual inspection on the wire harness and all wire connections.
5. Ensure all excess wires are not impeding the air from the fan reaching the burn grate.

Upon completion of inspection, replace all screws. Hand start each screw to ensure proper threading.

## GRILLING TIPS AND TECHNIQUES

Here are some helpful tips and techniques passed on to us from many Louisiana Grill owners, our staff, families and lots and lots of practice.

### Everything is TIME and TEMPERATURE.

Remember a recipe is simply an outline.

- The first time doing a recipe outside on the grill, should be done the exact way you have cooked it inside. Then the next time, you adjust the time and temperature to achieve a new taste. Record your results.
- 176°C / 350°F in your indoor oven is 176°C / 350°F in your outdoor grill.
- Before preheating the grill, make sure it is safe, clean and hygienic.
- **Always preheat your grill before cooking.** Set your desired temperature to above 232°C / 450°F setting, be sure the lid is closed and allow the grill to heat for at least 10-15 minutes or until the thermometer registers over 232°C / 450°F.
- Wipe off all stainless steel surfaces before preheating. Dirt and food stains will cook into the surface.
- **"Mise en Place"**. Three words that are essential for master grilling. The "mise" refers to basic setup of ingredients and equipment you need at grill side before you start cooking.
- Ensure the ash/drip pan is clean and free from any debris and fat build-up. You may want to line it with foil to speed up your clean up time.
- Always check your pellet fuel hopper for debris and to ensure that you do not run out of pellets before finishing. Use a shop vac to clean out any sawdust build-up.
- To prevent foods from sticking, you can brush or rub cooking oil on the cooking grids. If using a vegetable spray use it only before lighting the grill. Never spray the grill while there is a fire in the burn pot.
- Sear meats and cook with lid down for perfectly grilled food every time.
- All Louisiana Grills are designed to allow even fan forced heat circulation, so foods cook evenly on all sides. Leave at least 2.54 cm (1") of clearance between the food and the hood for proper heat flow.
- **Grilling times in recipes are based on 20°C / 70°F weather and little to no wind. Allow more time on cold windy days, or even for higher altitudes. Allow less time for warmer weather.**
- To get better smoke penetration into your meats, go SLOW and LOW. Meat will close its fibers after it reaches an internal



temperature of 50°C / 120°F.

- Use long-handled tongs for turning all meats and spatulas for turning burgers and fish. Do not use a fork for turning, as it will pierce the meat allowing the flavorful juices to escape.
- Misting or mopping are great ways to keep meat from drying out when going SLOW and LOW. A mixture of 50/50 apple juice (not cider) and water keeps the meat moist and gives it great color.

**TIP: Sauces are best applied near the end of cooking to prevent burning.**

- A smart investment to purchase would be a BBQ floor mat. Because of the fan forced convection cooking, a mat would protect that expensive deck or patio stone from the possibility of grease stains or accidental spills.

### 100% NATURAL HARDWOOD BBQ PELLETS

They are no thicker than the eraser on the end of a pencil. People who see them for the first time think they look like rabbit food, but there is nothing small about the heat energy or flavor in a wood pellet. These clean burning wood pellets generate about 8200 BTU's per pound with very little ash (0.13 kg per 18.14 kg / 0.3lb per 40lb bag) and low moisture content (5-7%) and are "carbon neutral".

Barbecue wood pellets are produced in the same matter as wood pellet fuel is produced for home heating, PFI Standard Premium Grade (see pelletheat.org). Pure raw material (sawdust) is pulverized with a hammer-mill and the material is pushed through a die with pressure. As the pellet is forced through the die it is sheared off at a specific maximum length, cooled, screened, vacuumed, and then bagged into 9.07kg or 18.14 kg (20 or 40 lb) bags.

BBQ wood pellets differ from smoking pellets, used in gas or propane grills, in that most are a combination of the main wood type and a neutral wood type. This is done because of the more intense flavor being generated when using pellets as your main fuel.

### Flavor Guide Lines

Check with your local dealer for flavors available in your area.

	Beef	Buffalo	Lamb	Pork	Poultry	Fish	Veggies	Baking
Hickory	X	X		X	X	X		
Mesquite	X	X		X	X	X		
Pecan	X	X		X	X	X		
Apple				X	X	X		X
Cherry	X	X	X		X	X		X
Competition	X	X	X	X	X	X	X	X
Whiskey Barrel	X	X	X	X	X	X	X	X

**Hickory Blend:** Rich, smoky bacon like flavor. Considered the "Kings of the Woods"

**Mesquite Blend:** Strong, tangy, spicy flavor. Think Tex-Mex cuisine.

**Pecan Blend:** Southeast delicate flavor. Smoky, Bacon-like flavor. Similar to Hickory but not as strong.

**Apple Blend:** Smoky, mild sweetness flavor. Highly recommended for baking.

**Cherry Blend:** Slightly sweet but also tart. Gives a rosy tint to light meals.

**Competition Blend:** *Maple, Hickory & Cherry.* Perfect blend of sweet, savory, and tart. Used by many professional "Pitmasters".

**Whiskey Barrel Blend:** *Oak & Whiskey Barrel.* Strong, sweet smoke with aromatic tang. Perfect for red meats.

**TIP:** Always store your pellets in a dry area. Avoid any contact or exposure to moisture. This will cause the pellets to absorb the moisture and will result in lower heat output or cause the pellets to swell and break apart. Use a moisture proof reseal able tub or bucket.

**⚠ Proposition 65 Warning:** Combustion bi-products produced when using this product contain chemicals known to the State of California to cause cancer, birth defects, and other reproductive harm (Wash hands after handling this product). This product contains chemicals known to the State of California to cause cancer, birth defects or other reproductive harm (Wash hands after handling this product).

# TROUBLE SHOOTING

Proper cleaning, maintenance and the use of clean, dry, quality fuel will prevent common grill operational problems. However, when your Louisiana Grill is simply operating poorly, or not at all, the following trouble shooting tips may be helpful.

The following is not an exhaustive list. For further details or updated information, please check: our website [www.louisiana-grills.com](http://www.louisiana-grills.com) and click on "**Customer Support**": contact your **local authorized dealer**: or contact **Dansons Customer Service**, toll free at **1-877-303-3134, Monday to Friday, 8 am to 5 pm Mountain Time**.

**DO NOT RETURN** the appliance without calling Dansons Customer Service for assistance.

**WARNING:** Always disconnect the electrical cord prior to opening the inspection plate of your grill for any inspection, cleaning, maintenance or service work.

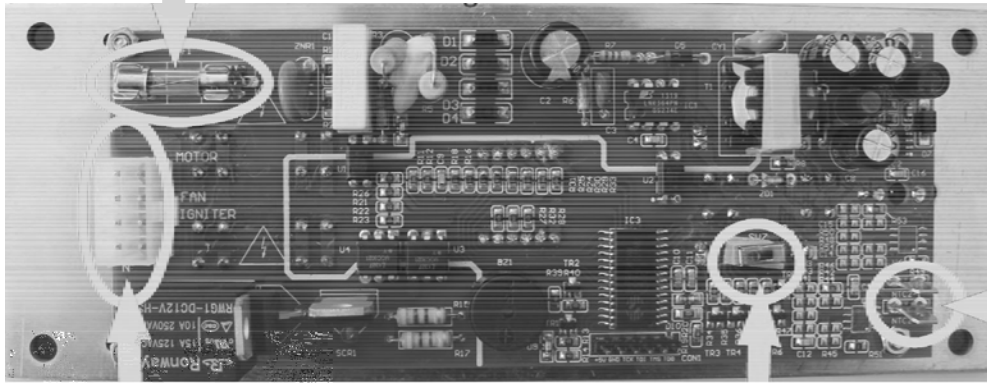
**NEVER** perform any inspection, cleaning, maintenance or service on a **HOT GRILL**.

PROBLEM	CAUSE	SOLUTION
Control will not turn ON	Grill is not properly plugged in.	Ensure all wire connections are firmly connected. Ensure grill is plugged into a working GFCI outlet.
	The circuit board has been tripped.	Fuse (5 amp. N.A. or 8 amp.) must be manually replaced. (See board diagram at the end of this section)
	The GFI outlet has been tripped.	Ensure all wire connections are firmly connected and dry. Ensure GFCI is minimum 10 amp service.
Temperature Readout. Wrong Measurement	The temperature setting switch is not set correctly. Board will read °F or °C	Grill must be unplugged from power source. Remove access end of the hopper. Remove control board. Switch temperature slide, located on the rear of the board, to desired temperature readout.
"ER-1" Error Message	The grill has overheated, possibly due to grease fire or excess fuel.	Turn the grill off and allow to cool. Clean grill interior, remove excess pellets, and confirm positioning of all component parts.
	Grill probe wire not making connection.	Ensure grill probe wire is connected correctly to control. Confirm wire connections and check for any damage.
"ER-2" Error Message	Grill has failed to reach 65°C / 150°F within the allotted 20 minutes.	Check hopper for sufficient fuel. Check hopper for auger jam and auger movement. Check burn grate positioning. Check burn grate and pot for ash build-up or obstructions. Check igniter to see if it is heating up and positioned correctly. Check fan to confirm operation and speed. In extreme cold, grill may require a second start. Check "actual" temperature readout of grill probe. To confirm accuracy. Clean probe, if necessary.
	Grill will not stay lit or above 65°C / 150°F.	Same as above.
"ER-3" Error Message	Power interruption.	Power outage during use. Grill may have been unplugged before system shut down. Check loose connection at outlet or within the hopper.
"noPR" Error Message	Meat probe not connected.	Meat probe not being used. Ensure probe is inserted completely in board. Check for pinched, kinked or broken wire.

"Actual temp" does not move	Internal grill probe needs cleaning.	Use a soft cloth or mild abrasive sponge, along with hot water and soap to wipe clean the probe.
	Probe wire became wet.	Use a hair dryer to dry the probe wires.
	Grill probe compromised.	Replace grill probe.
Cooling fans will turn ON by themselves	Grill is exposed to high ambient temperature and direct sun.	The interior temperature has reached or gone over 54°C / 130°F. It will not harm the unit. Place unit in shaded area. Prop the lid open to reduce inside temperature. Unplug the unit from the power source.
Grill will not achieve or maintain stable temperature	Insufficient air flow through burn grate	Check the burn grate for ash build-up, obstructions and that it is seated properly on the burn pot. Ensure that both the burn grate and burn pot are seated properly with no air leakage. Check the fan for proper operation that is connected, that the air intake is not blocked and that there is no blockage in the hopper. May need to clean fan blades or move wires. Perform a quick test. Remove cooking grids and arched flame broiler. Ensure all the above has been done, start the grill, set temperature to pre-heat and wait for 10 minutes. Check that the flame produced is bright, vibrant and is being pushed away from the hopper end.
	Insufficient or poor fuel.	Check the hopper for sufficient fuel. Check fuel for size, dampness and sawdust. Press and hold the Prime button. Ensure the auger is working and turning freely. Check and clean the temperature probe.
	Control settings	Ensure control is set on grill probe display.
Grill produces excess or discolored (black) smoke	Excess grease build-up or general cleaning	Check and clean the interior grilling area. It is good practice to clean and do a controlled burn off of the hidden excess grease after each large cooking of tasty greasy foods.
	Wood pellet quality	Check and clear the hopper and burn grate of moist pellets, replacing them with fresh dry pellets.
	Burn grate	Check for build-up of fuel in the burn grate.
Frequent flare-ups	Cooking temperature	Slow and low is the way to go. Grease does have a flash point, keep the temperature under 176°C / 350°F when cooking highly greasy food.
	Grease or left-overs	Check and clean the interior grilling area. It is a good practice to clean and do a controlled burn off of the hidden excess grease after each large cooking of tasty greasy foods.
	Flame broiler	Confirm the flame broiler is <b>CLOSED</b> all the way.
Igniter will not light fire	Burn grate	Check for proper seating Check for ash build-up or obstructions
	Igniter	Check to confirm igniter DOES NOT get hot. DO NOT TOUCH the igniter or the housing, you will get burnt. Check on placement of the igniter hot rod to the burn grate. Remove front inspection plate, ensure wire connects are tight.

**BOARD**

**5 AMP. 120V Fuse - North America**  
 Fast-Blow Cartridge 0.47 cm x 1.9 cm (3/16" in. x 3/4 in.)



**8 Pin Wire Harness Connection**

**Temperature Switch**  
 Celsius/Fahrenheit

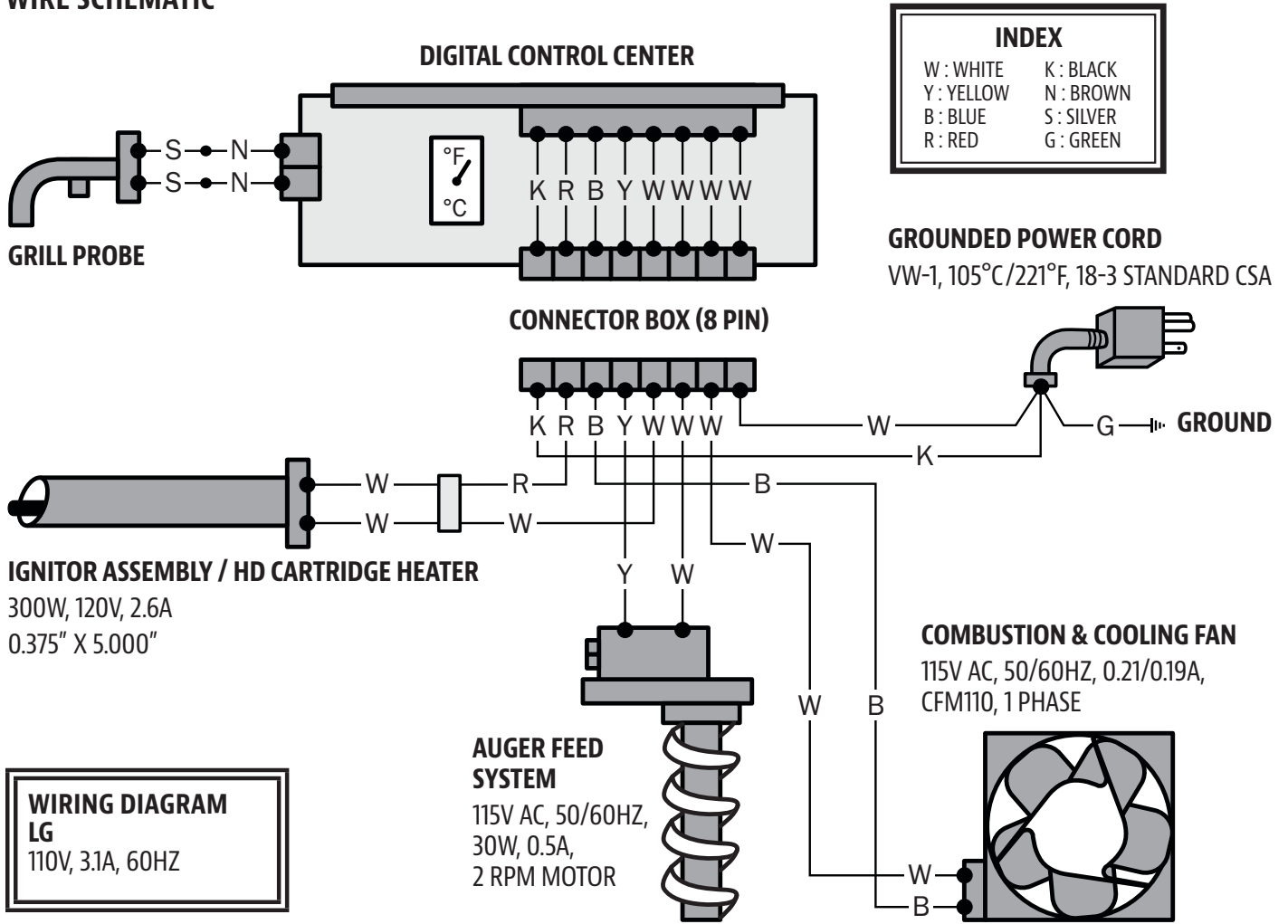
**Grill Probe  
 Spade  
 Connectors**

- Auger Motor (Yellow)
  - Fan (Blue)
  - Igniter (Red)
  - AC Hot (Black)
- AC Common  
 White

The Digital Control Center system is an intricate and valuable piece of technology.

For protection from power surges and electrical shorts, the control utilizes a 0.47 cm x 1.9 cm (3/16 in. x 3/4 in.), 5 amp 120 volt Fast-Blow fuse.

**WIRE SCHEMATIC**



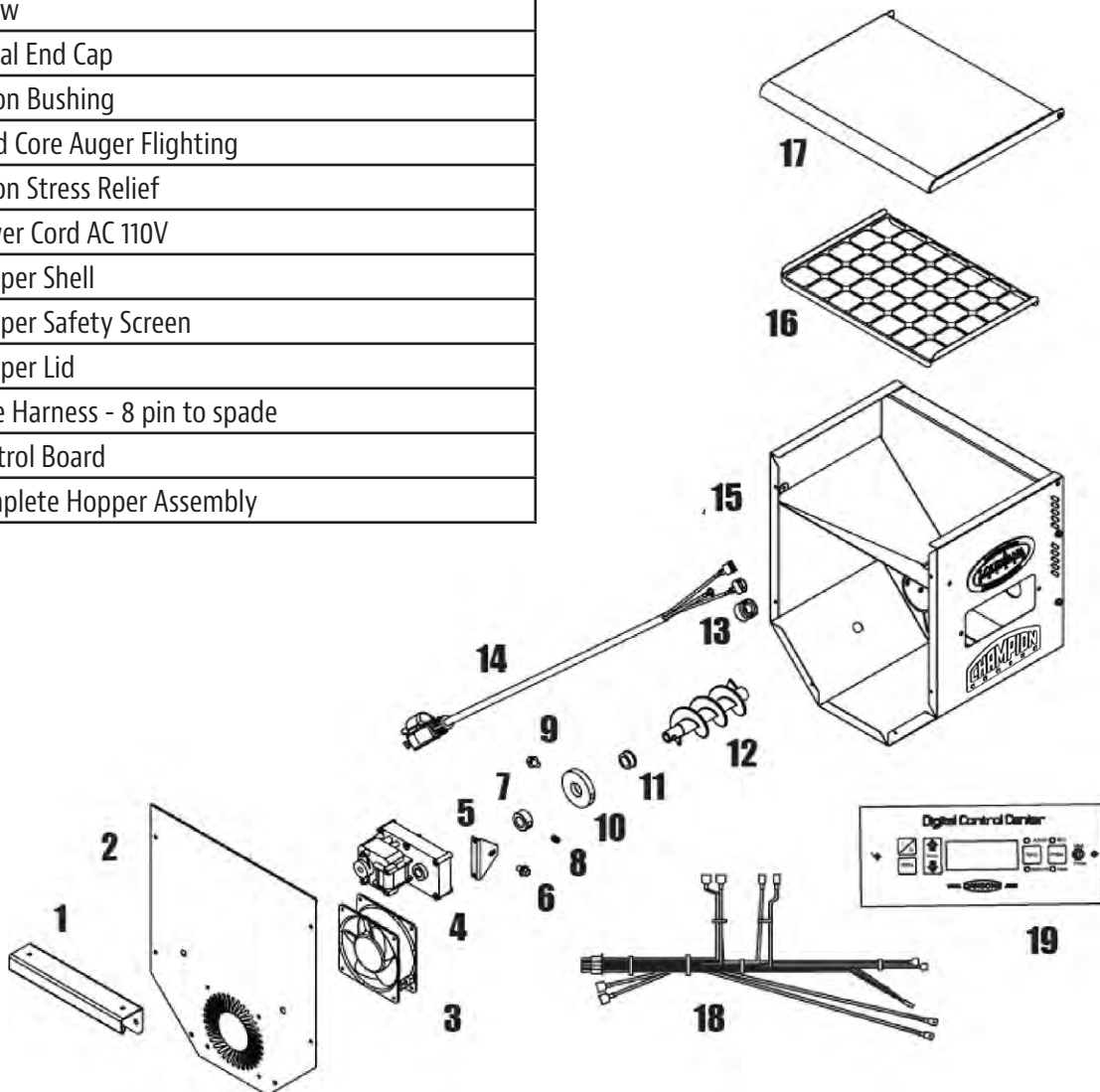
**ENGLISH**

# PARTS LIST

## LG CHAMPION SERIES HOPPER ASSEMBLY

### REPLACEMENT ITEMS

Item	Description
1	Hopper Handle
2	Hopper Access Panel
3	Fan
4	Auger Motor
5	Auger Mounting Bracket
6	Screw
7	1.58 cm (5/8 in.) Metal Lock Collar
8	Set Screw 0.39 cm x 1.27 cm (5/32 in. x 1/2 in.)
9	Screw
11	Metal End Cap
11	Nylon Bushing
12	Solid Core Auger Flighting
13	Nylon Stress Relief
14	Power Cord AC 110V
15	Hopper Shell
16	Hopper Safety Screen
17	Hopper Lid
18	Wire Harness - 8 pin to spade
19	Control Board
-	Complete Hopper Assembly





# LIMITED WARRANTY

The LG Champion wood pellet grill line, manufactured by Dansons Inc., carries a five (5) year limited warranty from the date of sale to the original owner only, against defects and workmanship on all steel parts, (excluding the burn grate), and three (3) years on electrical components. There is no specific warranty on the grill probe, meat probe, paint, powder coat finish, burn grate, grill cover and all gaskets or against damage caused from corrosion.

## CONDITIONS OF LIMITED WARRANTY

During the term of the limited warranty, Dansons Inc. obligation shall be limited to furnishing a replacement for covered, failed components, F.O.B. point of shipment. As long as it is within the prepaid, if the part(s) are found by Dansons Inc. to be defective upon examination. Dansons Inc. shall not be liable for transportation charges, labor costs, or export duties. Except as provided in this CONDITIONS OF WARRANTY paragraph, repair or replacement of parts in the manner and for the period of time stipulated hereunder shall constitute the fulfillment of all direct and derivative liabilities and obligations from Dansons Inc. to you.

The warranty coverage begins on the original date of purchase and proof of date of purchase, or copy of original bill of sale, is required to validate the warranty.

Repair or replacement of the "LG Series Smoker" part does not extend the limited warranty beyond the five (5) years or three (3) year from date of purchase.

The pouring of liquids on your grill flame will void this warranty.

Dansons Inc. takes every precaution to utilize materials that retard rust by using high-temperature paint or powder coat, where advisable. Even with these safeguards, the protective coatings can be compromised by various substances and conditions beyond Dansons Inc. control. High temperatures, grease fires, excessive humidity, chlorine, industrial fumes, fertilizers, lawn pesticides and salt are some of the substances that can affect paint and metal coatings. For these reasons, the limited warranties DO NOT COVER RUST OR OXIDIZATION, unless there is loss of structural integrity on the grill component. Should any of the above occur, kindly refer to your instruction manual's maintenance section for paint finish protection. Dansons Inc. recommends that you purchase a full length protective cover, and cover your grill when not in use. Dansons Inc. also recommends the use of high heat BBQ paint to repair or beautify your grill.

The warranties are based in normal domestic use and service of the grill and neither limited warranty coverage's apply for a grill which is used in commercial applications.

## EXCEPTIONS TO THE LIMITED WARRANTY

There is no written or implied performance warranty on "LG Champion" appliances, as the manufacturer has no control over the installation, operations, cleaning, maintenance or the type of fuel burned.

This limited warranty will not apply nor will Dansons assume responsibility if your appliance has not been installed, operated, cleaned and maintained in strict accordance with the manufacturer's instructions. Burning other than quality wood pellets may void the warranty. The warranty does not cover damage or breakage due to misuse, improper handling or modifications.

**Neither the manufacturer, nor the suppliers to the purchaser, accepts responsibility, legal or otherwise, for the incidental or consequential damage to the property or persons resulting from the use of this product. Any warranty implied by law, including but not limited to implied warranties of merchant-ability or fitness, shall be limited to one (1) year from the date of original purchase. Whether a claim is made against the manufacturer based on the breach of this warranty or any other type of warranty expressed or implied by law, manufacturer shall in no event be liable for any special, indirect, consequential or other damages of any nature whatsoever in excess of the original purchase price of this product. All warranties by manufacturer are set forth herein and no claim shall be made against manufacturer on any oral warranty or representation.**

Some states do not allow the exclusion or limitation of incidental or consequential damages, or limitations of implied warranties, so the limitations or exclusions set forth in this limited warranty may not apply to you. This limited warranty gives you specific legal rights and you may have other rights, which vary from state to state.

The limited warranties for 1 (one) year are in lieu of all other warranties expressed or implied, at law or otherwise, and Dansons does not authorize any person or representative to assume for Dansons any obligation or liability in connection with the sale

of the wood pellet grill. This means that no warranties, either expressed or implied, are extended to persons who purchase the product from anyone other than Dansons or an authorized Dansons Dealer.

## AUSTRALIA

Our goods come with guarantees that cannot be excluded under the Australian Consumer Law. You are entitled to a replacement or refund for a major failure and for compensation for any other reasonably foreseeable loss or damage. You are also entitled to have the goods repaired or replaced if the goods fail to be of acceptable quality and the failure does not amount to a major failure.

## PROCEDURES FOR WARRANTY SERVICE

Call your nearest "LG Champion" dealer for repair or replacement of your "in-warranty" parts.

### Be prepared to furnish the following information:

1. Copy of the bill of sale.
2. Purchaser's name, model and serial number of grill and date of purchase.
3. An accurate description of the problem.

*This limited warranty gives you specific legal rights and you may have other rights, which vary from state to state.*

## SERIAL NUMBER AND MODEL NUMBER

Your serial number and the model number of your LG Champion can be found on the inside of your hopper lid. Be sure to record these in the space provided below to aid you if they get damaged or lost.

**Staple your original bill of sale to this page as well to ensure you do not lose it!**

---

MODEL

---

SERIAL NUMBER

---

DATE OF PURCHASE

---

AUTHORIZED DEALER



# DANGERS ET AVERTISSEMENTS

**« LE MAUVAIS ENTRETIEN OU LE POSITIONNEMENT DU PRODUIT À PROXIMITÉ DE MATÉRIAUX COMBUSTIBLES SONT DES CAUSES FRÉQUENTES D'INCENDIE. IL EST PRIMORDIAL D'INSTALLER CE PRODUIT CONFORMÉMENT AUX INSTRUCTIONS. »**

**AVERTISSEMENT : COMMUNIQUER avec la municipalité, les autorités locales en matière d'incendie ou de bâtiment ou toute autre autorité compétente pour obtenir les permis nécessaires, la permission ou des renseignements sur les restrictions d'installation (installation d'un barbecue sur une surface combustible, règles d'inspection, permis d'utilisation dans la région, etc.).**

- **GARDER** le barbecue à une distance minimale de 45,72 cm (18 po), ou à distance sécuritaire, de toute matière combustible.
- **NE PAS** installer ou utiliser le barbecue sous un plafond ou un surplomb combustible.
- **NE PAS** utiliser à l'intérieur ou dans un espace clos et non ventilé.
- **NETTOYER** et entretenir régulièrement le barbecue.
- **EXAMINER**, après une période d'entreposage ou d'inutilisation, et avant d'utiliser le barbecue, examiner la grille de combustion pour déceler toute obstruction, et vérifier qu'il n'y a aucun corps étranger à l'intérieur du barbecue et de la trémie, ni aucune obstruction d'air. Consulter les instructions de ce manuel pour connaître les procédures appropriées.
- **NE PAS** mettre de housse de barbecue ou tout autre objet inflammable sur le barbecue ou dans l'espace d'entreposage sous ce dernier.
- **NE PAS** laisser les enfants utiliser le barbecue aux granules de bois LG Champion sans surveillance. Certaines pièces accessibles du barbecue peuvent être très chaudes. Tenir hors de la portée des jeunes enfants et des animaux domestiques pendant l'utilisation.

**AVERTISSEMENT : Cet appareil n'est pas conçu pour être utilisé par des personnes (y compris des enfants) à capacités physiques, sensorielles ou intellectuelles réduites, ou sans expérience ni connaissance, à moins qu'elles soient sous la surveillance d'une personne responsable ou que cette dernière leur ait enseigné comment utiliser l'appareil de façon sécuritaire.**

- **NE PAS** utiliser de pierre de lave, de morceaux ou de copeaux de bois, ni de charbon dans le barbecue aux granules Louisiana Grills.
- **NE PAS** utiliser d'accessoires n'ayant pas été conçus pour cet appareil.
- Si la graisse prend feu, éteindre le barbecue, puis laisser le couvercle fermé jusqu'à ce que le feu s'éteigne.
- **NE PAS** débrancher le cordon d'alimentation. **NE PAS** jeter d'eau sur le feu. **NE PAS** essayer d'étouffer le feu.
- **UTILISER** des gants ou mitaines de barbecue résistants à la chaleur pendant l'utilisation.

**AVERTISSEMENT : NE PAS déplacer le barbecue Louisiana Grills Champion s'il est en fonctionnement ou encore CHAUD. Veiller à ce que le feu soit éteint et attendre que le barbecue soit froid au toucher.**

- **NE PAS** élargir les orifices de la grille de combustion, du trou de l'allumeur ou du creuset de combustion.
- **NE PAS** utiliser le barbecue sous la pluie ou près d'une source d'eau.
- **TOUJOURS** débrancher le barbecue avant d'en faire l'entretien.
- Si le barbecue est entreposé dehors pendant des périodes de pluie ou de forte humidité, prendre toutes les précautions nécessaires pour que l'eau n'entre pas dans la trémie à granules. Lorsqu'ils sont mouillés ou exposés à une forte humidité, les granules de bois gonflent considérablement, se brisent et pourraient coincer le système d'alimentation.
- **ÉLIMINATION DES CENDRES** : Déposer les cendres dans un contenant métallique avec couvercle hermétique. Placer ensuite le contenant fermé sur un plancher non combustible ou sur le sol, loin de TOUTE matière combustible, en attendant l'élimination définitive. Si les cendres sont destinées à être enterrées dans le sol ou dispersées, les garder dans le contenant fermé jusqu'à ce que les tisons soient complètement refroidis.

# DANGERS ET AVERTISSEMENTS

**AVERTISSEMENT : NE PAS toucher le barbecue lorsque le fumoir est CHAUD. Cela pourrait entraîner de graves blessures.**

**AVERTISSEMENT : NE PAS surchauffer le barbecue. Une mauvaise utilisation peut provoquer un incendie.**

## COMBUSTIBLE – GRANULES DE BOIS

- **UTILISER** seulement des granules de bois naturel conçus pour les barbecues. L'utilisation de tout autre type de combustible annulera la garantie et la norme de sécurité.
- **NE PAS** utiliser de combustible contenant des additifs.
- **N.B. :** Comme Dansons Inc. n'a aucun contrôle sur la qualité des granules utilisés, elle n'assume aucune responsabilité quant à leur qualité.

**ATTENTION : NE PAS utiliser d'alcool, d'essence, de pétrole, d'essence à briquet ou de kérosène pour allumer ou alimenter un feu dans le barbecue.**

## CRÉOSOTE

- **ARRÊTER** l'appareil si la flamme devient foncée et salissante, ou si le creuset de combustion déborde de granules. Éteindre le barbecue, puis le laisser refroidir complètement avant de l'inspecter. Une petite quantité de suie ou de créosote peut s'accumuler dans le baril et le long des zones de fuites d'air ou d'échappement lorsque l'appareil fonctionne dans des conditions inadéquates (grille de combustion mal positionnée, ventilateur de combustion bloqué, zone de combustion sale ou mal entretenue, etc.).
- La suie ou la créosote se forme quand les granules sont brûlés sans un apport d'air adéquat ou lorsque la combustion est incomplète, ce qui produit une substance similaire à du goudron et des vapeurs organiques qui se combinent à l'humidité évacuée. La fumée et les résidus sur les surfaces noirciront.
- Lorsqu'elle s'enflamme, cette accumulation de créosote produit un feu extrêmement vif, similaire à un feu de graisse.
- Si de la créosote s'est accumulée dans le barbecue, la réchauffer à BASSE température, éteindre le barbecue, puis l'essuyer avec une serviette. La créosote est semblable au goudron, lorsqu'elle est chauffée, elle devient liquide et plus facile à nettoyer.

**AVERTISSEMENT : EN CAS D'INCENDIE, APPELER LES POMPIERS. NE PAS essayer de déplacer le barbecue. NE PAS essayer d'étouffer le feu. NE PAS jeter d'eau sur le feu.**

## MONOXYDE DE CARBONE : « Le tueur silencieux »

SUIVRE LES DIRECTIVES SUIVANTES POUR EMPÊCHER CE GAZ INCOLORE ET INODORE D'EMPOISONNER QUICONQUE.

- Savoir reconnaître les symptômes de l'empoisonnement au monoxyde de carbone : maux de tête, étourdissements, fatigue, nausées, vomissements, somnolence et confusion. Le monoxyde de carbone réduit la capacité du sang à transporter l'oxygène. Un faible niveau d'oxygène dans le sang peut entraîner une perte de conscience, voire la mort.
- Si une personne développe des symptômes similaires à ceux d'un rhume ou de la grippe en cuisinant ou en se trouvant à proximité du barbecue, consulter un médecin. L'empoisonnement au monoxyde de carbone, qui peut facilement être confondu avec le rhume ou la grippe, est souvent détecté trop tard.
- La consommation d'alcool et de drogues augmente les effets de l'empoisonnement au monoxyde de carbone.
- Le monoxyde de carbone est particulièrement toxique pour les femmes enceintes, l'enfant qu'elles portent, les nourrissons, les personnes âgées, les fumeurs et les personnes souffrant de problèmes de circulation sanguine ou du système circulatoire, tels que l'anémie, ou de maladies cardiaques.

**AVERTISSEMENT : Pour éviter que les doigts, les vêtements ou d'autres objets entrent en contact avec la vis sans fin, le barbecue est équipé d'un écran en métal, installé à l'intérieur de la trémie. Cet écran NE DOIT PAS être retiré à moins d'indication contraire du service à la clientèle ou d'un technicien autorisé de Dansons.**



Cher propriétaire d'un barbecue aux granules Champion,

**Merci d'avoir choisi le barbecue et fumoir aux granules Louisiana Grills Champion.**

Votre barbecue aux granules Louisiana Grills vous transportera à l'extérieur où vous pourrez profiter du savoureux goût boisé, comme le faisaient nos ancêtres préhistoriques, tout en profitant des avantages d'une cuisine moderne.

Voyez votre barbecue Champion comme un deuxième four où vous pouvez cuire, rôtir, griller, saisir, fumer ou cuire sur charbon de bois vos aliments. Tout ce que vous pouvez faire dans votre cuisine, vous pouvez le faire avec votre barbecue.

La cuisine au barbecue a sa propre culture. C'est un divertissement à la fois relaxant et convivial. Tout le repas peut se cuisiner à l'extérieur, et le chef peut continuer d'être avec ses convives. Jouez la carte de la simplicité, soyez créatif et amusez-vous.

Nous aimerions en profiter pour vous donner quelques **conseils importants** concernant les barbecues aux granules de bois.

- **L'installation du barbecue Louisiana Grills est l'étape la plus importante** afin d'assurer son efficacité et son bon fonctionnement pour de nombreuses années.
- **Nettoyer et entretenir le barbecue de façon consciencieuse.** Un barbecue bien entretenu durera plus longtemps et conservera sa belle apparence.
- Utiliser seulement des granules de bois naturel conçus pour les barbecues.
- Garder les granules au sec. Entreposer les sacs de granules ouverts dans un contenant hermétique et vider la trémie si le barbecue reste inutilisé pendant une longue période.

Notre personnel fidèle, nos précieux clients, nos amis et notre famille ont tous contribué à notre livre de recettes. Nous nous sommes efforcés d'y intégrer un large éventail de saveurs et de styles culinaires : recettes traditionnelles de nos mamans, expériences amusantes et tendances actuelles, qui deviendront bientôt des classiques.

**NOUS AVONS BESOIN DE VOUS!**

Si vous souhaitez nous faire part d'une recette familiale ou gagnante d'un concours, ou de toute autre recette (surtout si elle contient du bacon), communiquez avec nous.

Télécopieur : 1 877 303-3135; site Web : [www.louisiana-grills.com](http://www.louisiana-grills.com);  
courriel : [sales@dansons.com](mailto:sales@dansons.com); courrier postal à l'adresse ci-dessous.

Il ne vous reste plus qu'à remplir la trémie, allumer le barbecue et en profiter.

**« Un barbecue de calibre mondial dans votre propre cour »**

Nous tenons à vous REMERCIER une fois de plus de votre achat.

*Le personnel et l'équipe de gestion  
Dansons Inc.*

**AVIS DE DROIT D'AUTEUR**

Droit d'auteur 2017. Tous droits réservés.

Aucune partie de ce manuel ne peut être reproduite, transmise, transcrite ou stockée dans un système d'extraction sous quelque forme que ce soit ni par aucun procédé, sans l'autorisation préalable écrite de



**Dansons Inc.**  
**14608 - 134 Ave., Edmonton, AB, Canada T5L 4T4**  
**1-877-303-3134**



# TABLE DES MATIÈRES

Dangers et avertissements .....	38	Utilisation .....	
Instructions d'assemblage		Pour commencer .....	60
Caractéristiques techniques .....	42	Procédure de préparation .....	60
Vue éclatée des pièces .....	43	Allumage : automatique/manuel .....	60
Évaluation de la sécurité .....	44	Arrêt du fumoir .....	60
Roues, roulettes et butée du couvercle .....	44	Entretien .....	61
Trémie Champion .....	45	Techniques et conseils de cuisson au barbecue .....	64
Allumeur .....	47	Dépannage .....	66
Grille de combustion et grilloir .....	47	Liste des pièces .....	70
Poignée et cheminée réglable .....	48	Garantie limitée .....	71
Panneau thermique et déflecteur .....	49		
Poignées et loquets .....	49		
Tablette latérale supérieure .....	50		
Plateaux à graisse, clapets et grilles .....	51		
Grilles du réchaud et de support .....	52		
Cuiseur à vapeur .....	52		
Alimentation électrique .....	53		
Qui dit savoir dit pouvoir			
Trois zones de cuisson .....	53		
Panneau de commande numérique G2 .....	53		
Thermomètre à viande programmable .....	56		

# LE BARBECUE AUX GRANULES DE BOIS LG CHAMPION

Grande trémie d'une capacité de 12,3 kg (27 lb). Couvercle aux bords arrondis facile à ouvrir.

Système d'alimentation éprouvé avec vis sans fin en métal.

Grilles de cuisson en fonte recouvertes de porcelaine (surface de cuisson principale).

Trois grilles supérieures amovibles en acier recouvertes de porcelaine.

Combustion, refroidissement et cuisson par convection forcée avec ventilateur.

« **Panneau de commande numérique** » de type PID équipé d'un thermomètre à viande programmable.

Ventilateur permettant de faire varier la température du barbecue de 82 à 315 °C (180 à 600 °F) pour fumer à chaud ou saisir les aliments.

Allumeur électrique, nul besoin d'utiliser des allumettes ou des allume-feux liquides.

Cheminée à clapet.

Orifice d'échappement double à l'arrière.

Fumoir à froid / réchaud avec deux grilles.

Tablette latérale solide équipée de crochets à ustensiles et d'un porte-serviette.

Fumoir à chaud / réchaud avec quatre grilles.

Tiroirs à graisse.

Structure d'ingénierie robuste.



Portes d'armoire et boîtier.

Deux roulettes verrouillables.  
Deux roues.

FRANÇAIS

## ACCESSOIRES OFFERTS

### Housse sur mesure

Toile en polyester ultrarésistante à 600 deniers, sérigraphie, couture double, intérieur en polyuréthane, sangle de serrage.

### Tablette avant de luxe

30,5 x 60,96 cm (12 x 24 po) (P x L)  
Tablette rabattable.  
Fini en acier inoxydable.  
Trou de montage de 36,83 cm (14 ½ po).

### Extension de trémie

S'installe facilement, dotée d'un couvercle. Offre une capacité supplémentaire de 9 kg (20 lb).

### Grilles amovibles supplémentaires pour le réchaud

Ensemble de cinq – ajoutent 3 898,9 cm<sup>2</sup> / 1 535 po<sup>2</sup> à l'aire de cuisson.

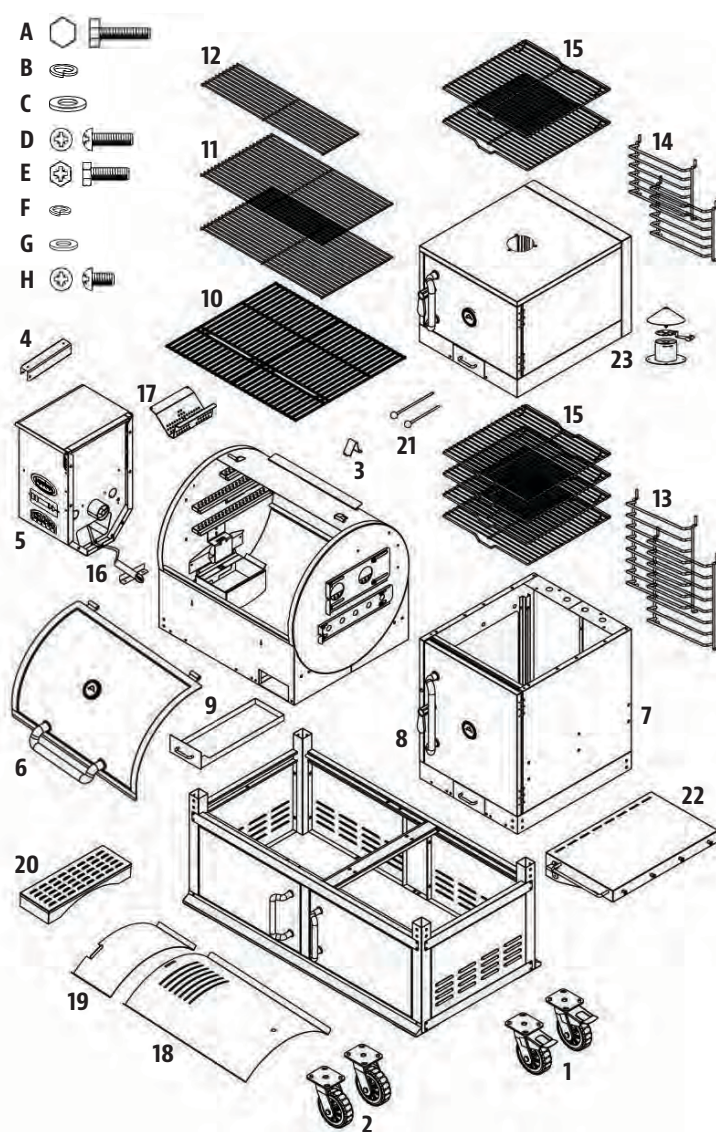
# DÉBALLAGE DU BARBECUE LG CHAMPION

À l'ouverture de la boîte, vérifier que toutes les pièces suivantes sont présentes :

Pièce	Qté	Éléments se trouvant dans la boîte
1	2	Roulette verrouillable de 12,7 cm (5 po) de diamètre
2	2	Roue de 12,7 cm (5 po) de diamètre
3	1	Butée du couvercle principal
4	1	Poignée latérale de la trémie
5	1	Trémie
6	1	Couvercle principal avec vis
	2	- Rondelle décorative
7	2	Poignée du fumoir avec vis
	4	- Rondelle décorative
8	2	Poignée principale du barbecue avec vis
	4	- Rondelle décorative
9	3	Poignée du plateau à graisse avec vis
	3	- Plaques avant du plateau à graisse
10	2	Grille de cuisson principale en fonte recouverte de porcelaine
11	2	Grilles supérieures en acier recouvertes de porcelaine
12	1	Grille supérieure en acier recouverte de porcelaine
13	2	Grille de support mi-hauteur du réchaud
14	2	Grille de support supérieure du réchaud
15	6	Grille amovible pour le réchaud
16	1	Allumeur - Cartouche d'allumeur
	1	- Tube d'allumeur
17	1	Grille de combustion
18	1	Grilloir - Partie principale
19	1	- Glissière
20	1	Cuiseur à vapeur - Partie principale
	1	- Couvercle
21	2	Coulisses avec boutons
22	1	Tablette latérale
	1	- Décapsuleur
	1	- Porte-serviette de 25,4 cm (10 po)
	4	- Crochets à ustensiles
23	1	Unité supérieure
	1	- Cheminée

23	1	- Panneau thermique arrière
	1	- Déflecteur de chaleur arrière
A	16	Vis - Roues et roulettes
B	16	Rondelle élastique - Roues et roulettes
C	16	Rondelle - Roues et roulettes
D	28	Vis Phillips
E	6	Vis multitête - Trémie
F	34	Rondelle élastique
G	34	Rondelle
H	2	Vis en métal Phillips - Allumeur

\*\* Le produit peut avoir été modifié sans préavis.



# ÉVALUATION DE LA SÉCURITÉ

Conformément aux procédures et spécifications de la norme UL 2728-2009 sur les appareils de cuisson aux granules de bois et les normes canadiennes ULC/ORD C2728 et CSA C22.2 no 3 concernant les caractéristiques électriques de l'équipement de combustion, le barbecue aux granules de bois Champion a été indépendamment testé et homologué par INTERTEK (un laboratoire d'essais agréé) conformément aux normes ETL, UL, ULC et CSA.



Ce produit a été évalué et répond aux exigences de l'EEE (Espace économique européen) en matière de sécurité, de santé et de protection de l'environnement.



Ce produit a été évalué et répond aux exigences de la réglementation en place en Australie et en Nouvelle-Zélande comme en témoignent le logo RCM et le numéro qui y sont apposés.



N.B. : Lire attentivement l'étiquette qui se trouve à l'intérieur du couvercle de la trémie. Elle comporte des renseignements importants sur l'installation et l'utilisation du barbecue aux granules.

## OUTILS REQUIS

### NOTE IMPORTANTE

- Bien inspecter l'entièreté du barbecue après avoir retiré tout le carton protecteur.
- Signaler immédiatement tout dommage au détaillant.
- Les dommages survenus pendant l'expédition ne sont pas couverts par la garantie.

Tournevis à pointe cruciforme, clé et niveau.

## INSTRUCTIONS D'ASSEMBLAGE

### 1 INSTALLATION DES ROUES ET DES ROULETTES

#### Pièces requises :

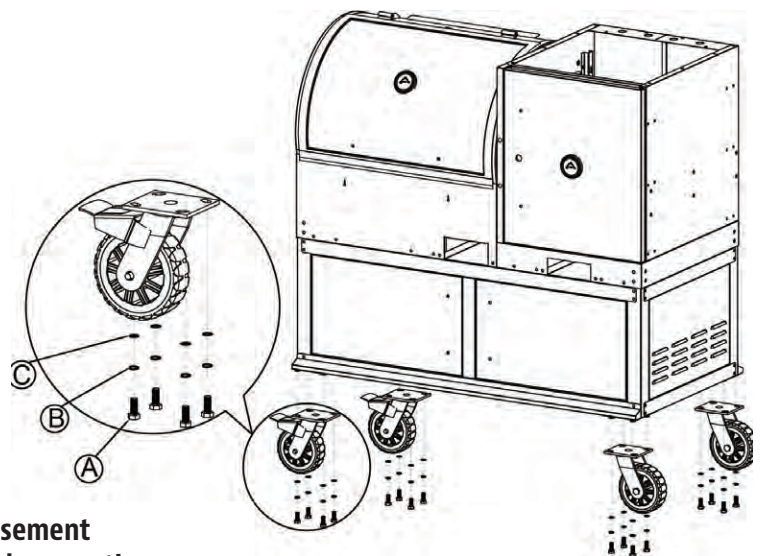
- 1 x Unité principale
- 2 x Roulette verrouillable de 12,7 cm (5 po)
- 2 x Roue de 12,7 cm (5 po)
- 16 x Vis (A)
- 16 x Rondelle (B)
- 16 x Rondelle élastique (C)

#### AVERTISSEMENT!

En raison de la taille et du poids de l'unité supérieure, l'étape suivante nécessite deux (2) personnes.

#### NOTE

Les dommages entraînés par le non-respect de l'avertissement ou une mauvaise installation NE SONT PAS couverts par la garantie.





## Installation :

Le bas de l'unité principale est doté de plaques filetées servant à l'installation de deux (2) roulettes verrouillables et de deux (2) roues.

- Pour faciliter l'installation, coucher délicatement l'unité sur une surface douce du côté opposé à la trémie.
- Installer les deux (2) roulettes verrouillables du côté de la trémie. Placer une rondelle (B), puis une rondelle élastique (C) sur chaque vis, puis serrer les vis à la main.

**N.B. : Il est préférable de serrer les vis à la main d'abord pour NE PAS strier le filetage et s'assurer que les vis sont droites.**

- Installer les deux (2) roues du côté du fumoir.
- À l'aide de l'outil approprié, serrer fermement TOUTES les vis.
- À une ou deux personnes, redresser délicatement et doucement l'unité.

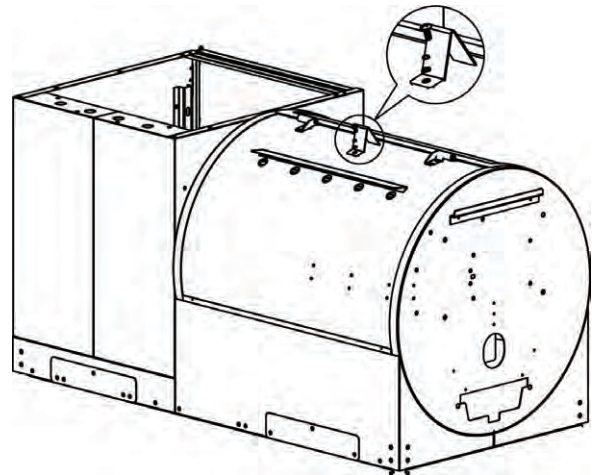
## 2 INSTALLATION DE LA BUTÉE DU COUVERCLE PRINCIPAL

### Pièce requise :

1 x Butée du couvercle principal

### Installation :

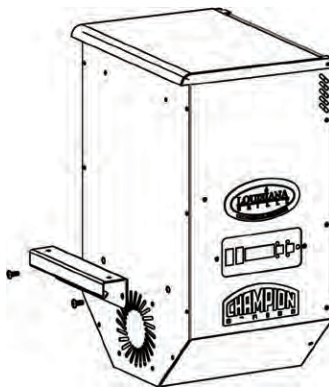
- À l'aide d'un tournevis à pointe cruciforme, retirer la vis, la rondelle et la rondelle élastique se trouvant sur le dessus du couvercle.
- Insérer la butée dans la fente prévue à cet effet sur le couvercle.
- Aligner les trous pour les vis, puis réinstaller les vis et les rondelles en les insérant dans le couvercle à travers la butée.



## 3 INSTALLATION DE LA TRÉMIE

### Pièces requises :

1 x Trémie  
1 x Poignée de la trémie  
2 x Vis Phillips (D)  
6 x Vis multitéte (E)  
8 x Rondelle élastique (F)  
8 x Rondelle (G)

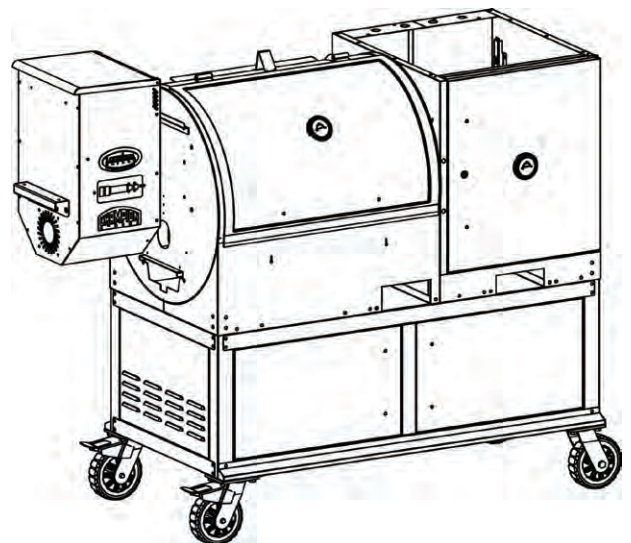


### Installation :

#### Étape 1 – Installation de la poignée de la trémie

La poignée de la trémie est multiusage. Elle sert non seulement à déplacer la trémie, mais aussi à accrocher le cordon d'alimentation pour faciliter l'entreposage.

Deux petits trous ont été percés dans la poignée pour faire tenir temporairement le thermomètre à viande.





- À l'aide de deux (2) vis Phillips (D), deux (2) rondelles (G) et deux (2) rondelles élastiques (F), fixer la poignée au panneau d'accès de la trémie dans les deux (2) grands trous prévus à cet effet, tout juste au-dessus de la prise d'air du ventilateur.
- Serrer les vis à la main d'abord, puis les serrer fermement à l'aide du tournevis à pointe cruciforme.

## Étape 2 – Préparation de l'installation de la trémie

Placer six (6) vis multitétes (E), six (6) rondelles (G) et six (6) rondelles élastiques (F) dans le fond du baril pour faciliter l'installation de la trémie.

## Étape 3 – Raccordement des fils du thermomètre du barbecue

Le barbecue/fumoir est équipé d'un panneau de commande numérique, d'un thermomètre pour le barbecue et d'un thermomètre à viande programmable. Le thermomètre du barbecue a été installé dans l'enceinte de cuisson en usine; les fils et les raccords de ce dernier dépassent du côté gauche du barbecue. Veiller à ne pas tordre ou endommager les fils.

Les raccords pour le panneau de commande se trouvent dans la trémie ou sont collés sur cette dernière. **Image C**

Pour raccorder les cosses rectangulaires, éloigner délicatement la trémie de l'unité supérieure.

**IMPORTANT : Veiller à ce que les fils du thermomètre du barbecue passent uniquement par le grand trou, comme illustré sur le diagramme C.**

Appuyer le bas de la trémie sur le bord du creuset de combustion qui dépasse du baril. Soutenir la trémie avec les cuisses pour avoir les mains libres et raccorder les cosses. **Image D**

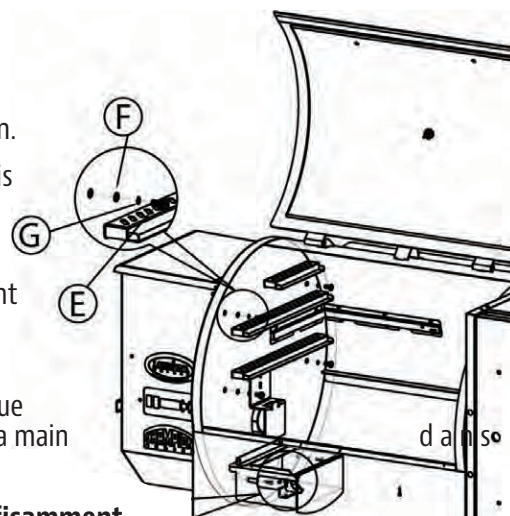
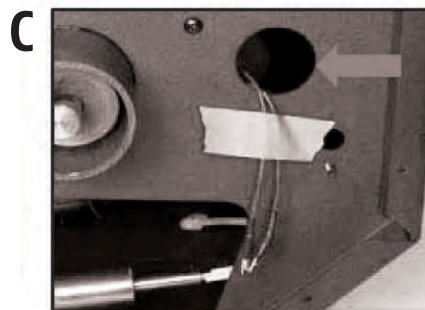
Une fois les cosses bien raccordées, rentrer TOUT l'excédent de fil et les raccords dans la trémie. Le filage ne doit pas entrer en contact avec les pales du ventilateur ou le tube de la vis sans fin.

**IMPORTANT : Tout l'excédent de fil et les raccords doivent être rentrés dans la trémie. S'assurer qu'ils NE TOUCHENT PAS au ventilateur.**

## Étape 4 – Fixation de la trémie au baril

- Soulever délicatement la trémie avec les fils raccordés du creuset de combustion.
- Insérer partiellement le tube de la vis sans fin dans le trou prévu à cet effet, puis soulever la trémie suffisamment pour que le support de montage à l'arrière de cette dernière soit légèrement plus haut que celui sur le baril.
- Pousser fermement le haut de la trémie contre le baril en insérant complètement le tube de la vis sans fin dans ce dernier. Tenir la trémie de niveau, puis pousser vers le bas pour l'insérer dans le support de montage.
- Fixer la trémie en place à l'aide d'une (1) vis multitéte (E), d'une rondelle élastique (F) et d'une rondelle (G) préalablement laissées au fond du baril. Serrer la vis à la main l'un des six (6) trous.

**N.B. : Si les trous ne sont pas alignés, la trémie n'a probablement pas été suffisamment poussée vers le bas.**



Répéter ensuite la dernière étape avec les cinq (5) ensembles de vis et de rondelles restants. Serrer fermement les vis à l'aide de l'outil approprié.

**N.B. : Faire preuve de vigilance pour ne pas strier les têtes de vis en vue de futures manipulations.**

#### 4 INSTALLATION DE L'ALLUMEUR

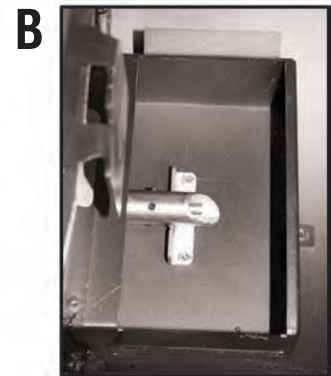
##### Pièces requises :

- 2 x Vis en métal Phillips (H)
- 1 x Allumeur (situé dans la trémie)

##### Installation :

L'allumeur a été raccordé aux fils électriques en usine; il se trouve dans le compartiment électrique de la trémie.

- Tirer délicatement sur l'allumeur dans le creuset de combustion. **Image A**
- Aligner les deux trous de la plaque de fixation de l'allumeur avec ceux au fond du creuset de combustion. **Images A et B**
- Fixer l'allumeur au creuset de combustion avec les deux (2) vis en métal Phillips (H) et le tournevis. **Images A et B**



#### 5 INSTALLATION DE LA GRILLE DE COMBUSTION

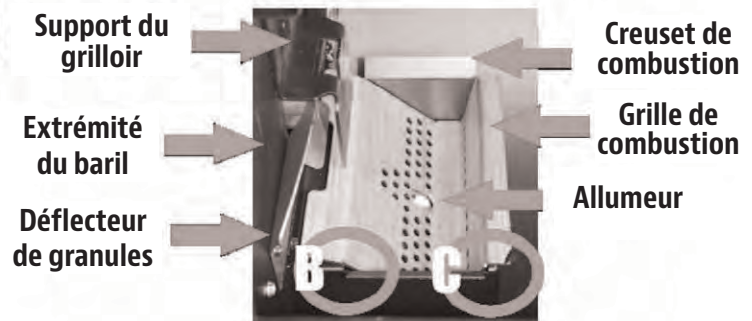
##### Pièce requise :

- 1 x Grille de combustion



##### Installation :

- Le côté le plus long, avec une encoche, s'installe sous le déflecteur de granules.
- Le bord replié de ce côté doit être bien appuyé sur l'arrière du creuset de combustion (B).
- Le côté avant de la grille doit reposer sur le rebord du creuset de combustion (C).



**IMPORTANT : Le positionnement et l'entretien de la grille de combustion sont essentiels à une expérience de cuisson complète et sans tracas!**

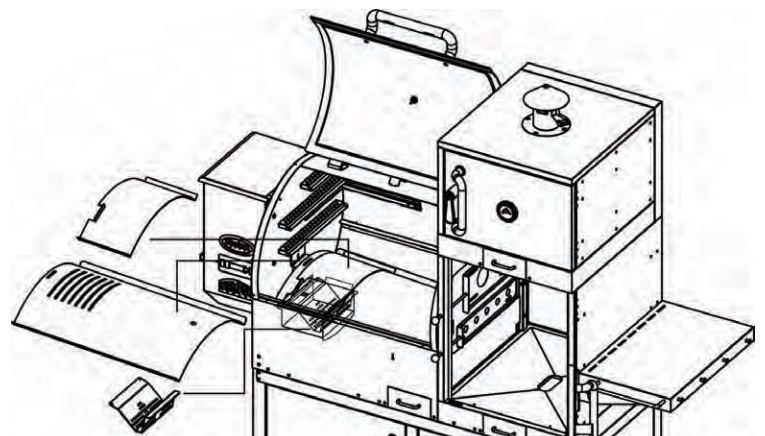
#### 6 INSTALLATION DU GRILLOIR ARQUÉ

##### Pièces requises :

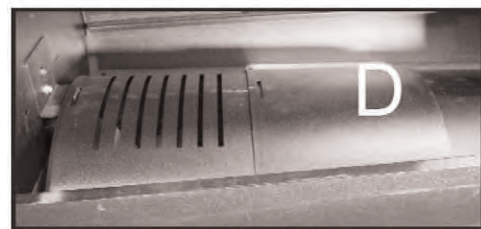
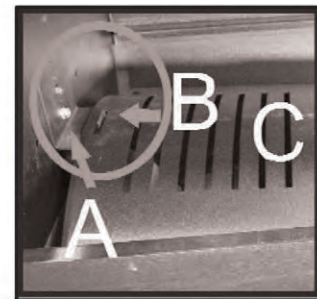
- 1 x Partie inférieure du grilloir
- 1 x Glissière du grilloir

##### Installation :

- Si le support du grilloir (A) est à la bonne hauteur et dans le bon angle, sa plaque inférieure ne devrait pas se trouver vis-à-vis la chute à granules. Pour ajuster le support, desserrer les trois (3) vis à tête cruciformes, le relever, puis resserrer les vis.



- Tenir la partie inférieure du grilloir de sorte que l'extrémité dotée d'une découpe et de fentes se trouve du côté gauche. Installer le grilloir sur l'attache (B); il s'accroche facilement.
- Placer la glissière (D) par-dessus la partie inférieure du grilloir (C). La glissière se déplace pour couvrir ou exposer les fentes du grilloir; elle devrait parfaitement épouser la forme de la partie inférieure.



**OUVERT**, le grilloir sert à saisir ou à griller les aliments directement sur les flammes tout en réduisant les embrasements.

Le mouvement de convection n'est pas optimal si le grilloir est ouvert.

**FERMÉ**, il permet la cuisson indirecte par convection. On le positionne de cette manière pour la majorité des utilisations.

**IMPORTANT : Neuves, les deux parties du grilloir sont protégées par un revêtement à l'huile sûr pour les aliments. A la première utilisation, ce revêtement brûlera.**

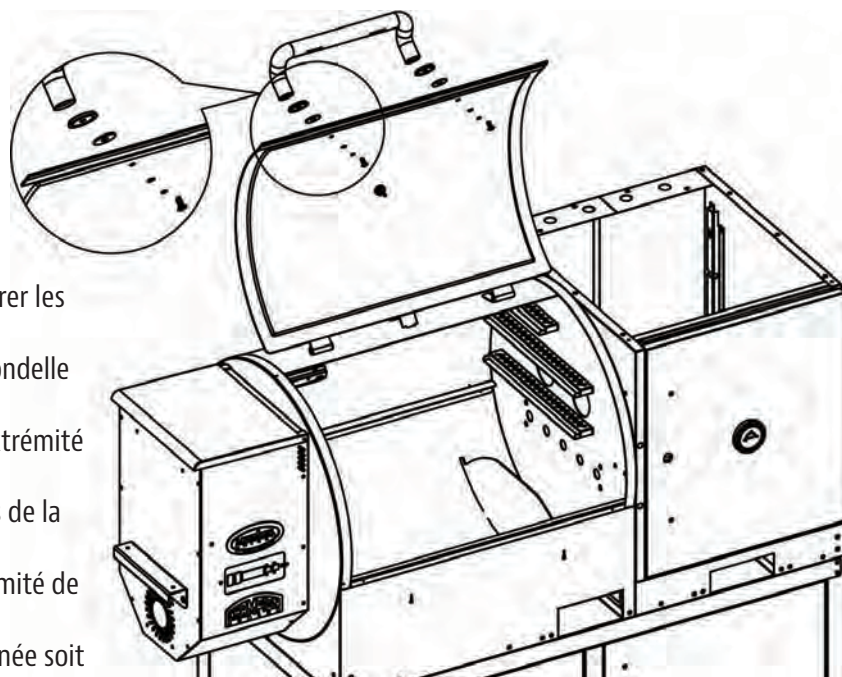
## 7 INSTALLATION DE LA POIGNÉE PRINCIPALE DU BARBECUE

### Pièces requises

- 1 x Poignée en acier inoxydable avec deux vis à tête cruciforme
- 2 x Rondelle décorative
- 2 x Rondelle de carton

### Installation :

- À l'aide d'un tournevis à pointe cruciforme, retirer les deux (2) vis de la poignée principale.
- Insérer une vis, une rondelle élastique et une rondelle dans le trou situé dans le couvercle du baril.
- Installer la rondelle décorative en métal sur l'extrémité de la vis qui dépasse du couvercle.
- Serrer la vis à la main dans l'une des extrémités de la poignée en acier inoxydable.
- Suivre les mêmes étapes pour la seconde extrémité de la poignée.
- Serrer fermement les deux vis pour que la poignée soit solidement fixée.



**ATTENTION! NE PAS TROP SERRER LES VIS!**  
Elles doivent seulement être bien en place.

## 8 INSTALLATION DE LA CHEMINÉE RÉGLABLE

### Pièces requises

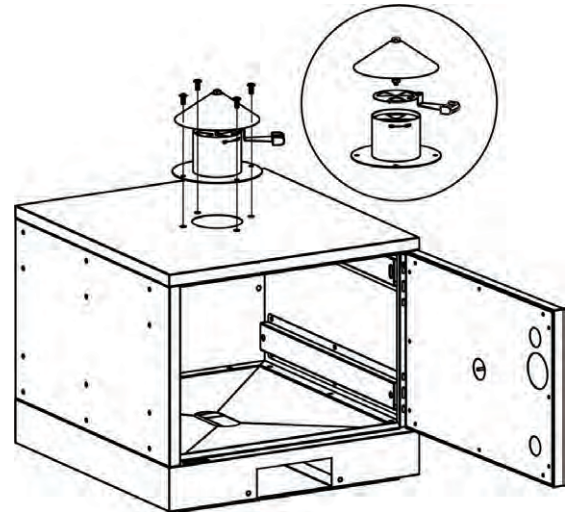
- 1 x Unité supérieure
- 4 x Vis Phillips (D), rondelle élastique (F), rondelle (G)
- 1 x Joint d'étanchéité
- 1 x Cheminée réglable
  - Base de la cheminée
  - Clapet réglable
  - Chapiteau de cheminée



## Installation :

Pour faciliter l'installation, placer l'unité supérieure sur une table ou une surface de travail solide.

- Visser le chapiteau de cheminée dans la base, à travers le clapet réglable.
- Veiller à laisser un espace d'au moins 25 mm (1 po) entre le chapiteau et la base de la cheminée.
- S'assurer que le clapet bouge librement.
- Installer le joint d'étanchéité en feutre sur le trou de l'unité supérieure.
- Placer la cheminée assemblée sur le joint d'étanchéité.
- Fixer la cheminée au moyen des quatre (4) vis à tête cruciforme, des rondelles élastiques, des rondelles et du tournevis.



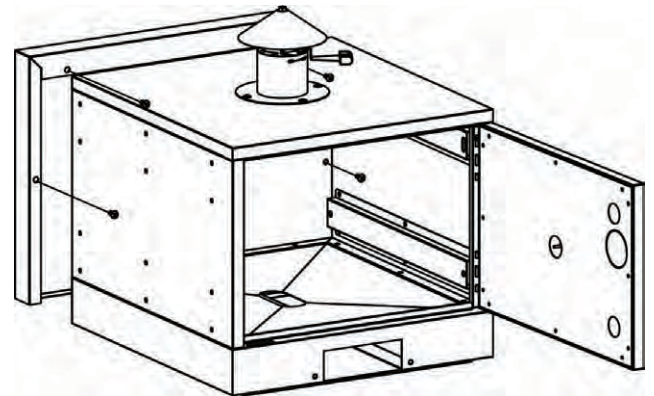
## 9 INSTALLATION DU PANNEAU THERMIQUE ARRIÈRE

### Pièces requises :

- 1 x Unité supérieure
- 1 x Panneau thermique arrière
- 4 x Vis Phillips (D)
- 4 x Rondelle élastique (F)
- 4 x Rondelle (G)

### Installation :

À l'aide d'un tournevis à pointe cruciforme, fixer le panneau thermique arrière par l'intérieur de l'unité avec les quatre (4) vis Phillips, les rondelles élastiques et les rondelles.



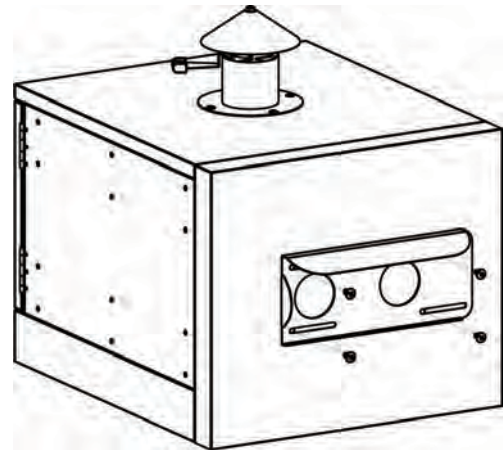
## 10 INSTALLATION DU PANNEAU D'ÉCHAPPEMENT ARRIÈRE

### Pièces requises :

- 1 x Unité supérieure
- 1 x Panneau d'échappement arrière

### Installation :

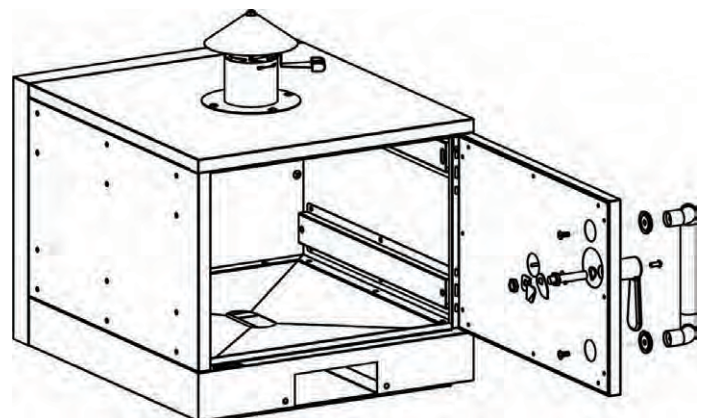
- Retirer les quatre (4) vis préinstallées sur l'arrière de l'unité supérieure.
- Aligner les quatre (4) trous de le panneau d'échappement arrière avec les quatre (4) trous situés sur l'unité supérieure. Serrer les vis, d'abord à la main, puis avec un tournevis.



## 11 INSTALLATION DES POIGNÉES ET DES LOQUETS DES PORTES

### Pièces requises (pour chaque porte) :

- 4 x Poignée en acier inoxydable avec 2 vis à tête cruciforme chacune
- 8 x Rondelle décorative
- 2 x Poignée à loquets

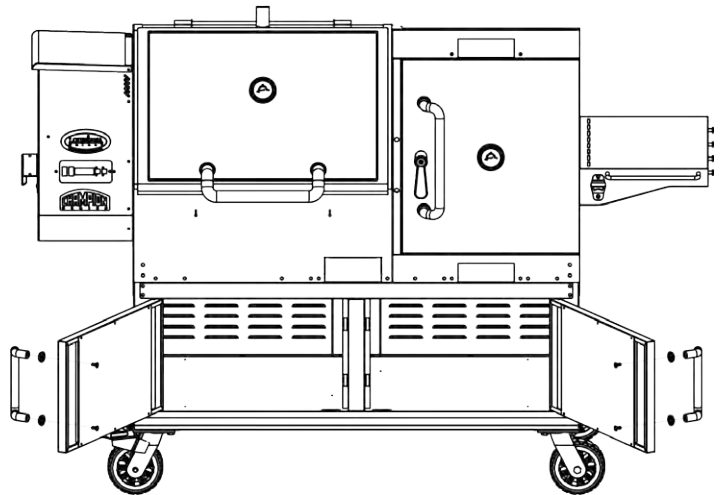


**Installation :****Poignées de porte**

- Retirer les deux (2) vis se trouvant sur chaque poignée.
- Insérer les vis par l'arrière de chacune des quatre portes, glisser une rondelle sur chacune des vis, puis aligner les poignées. Fixer en place.

**Poignées à loquet**

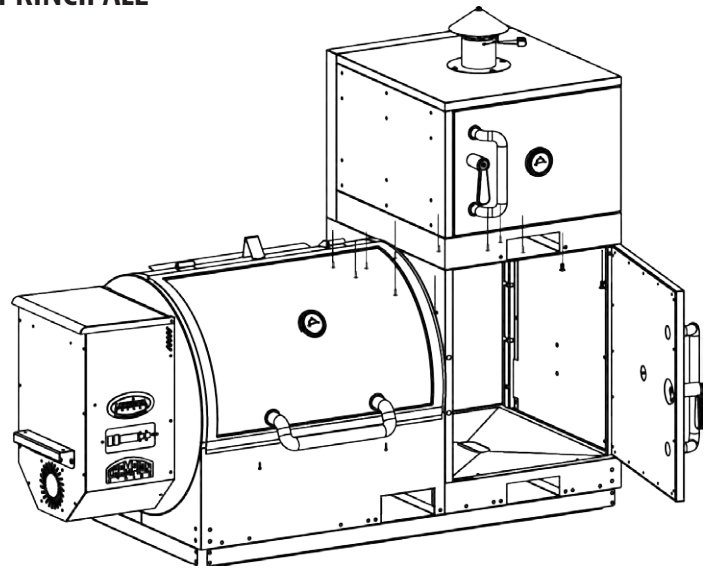
- Retirer la quincaillerie des poignées à loquets.
- Insérer une poignée dans le devant de chaque porte.
- Réinstaller la quincaillerie par l'intérieur de la porte.

**12 INSTALLATION DE L'UNITÉ SUPÉRIEURE SUR L'UNITÉ PRINCIPALE****Pièces requises :**

- 1 x Unité supérieure
- 1 x Panneau thermique arrière
- 12 x Vis Phillips (D)
- 12 x Rondelle élastique (F)
- 12 x Rondelle (G)

**Installation :**

- Soulever délicatement l'unité supérieure de la surface de travail, puis la placer sur l'unité principale.
- À l'aide d'un tournevis à pointe cruciforme, installer les douze (12) vis, les rondelles élastiques et les rondelles par l'intérieur de l'unité.
  - Il y a une vis pour chacun des quatre (4) coins et deux (2) pour chacun des quatre côtés.

**13 INSTALLATION DE LA TABLETTE LATÉRALE****Pièces requises :**

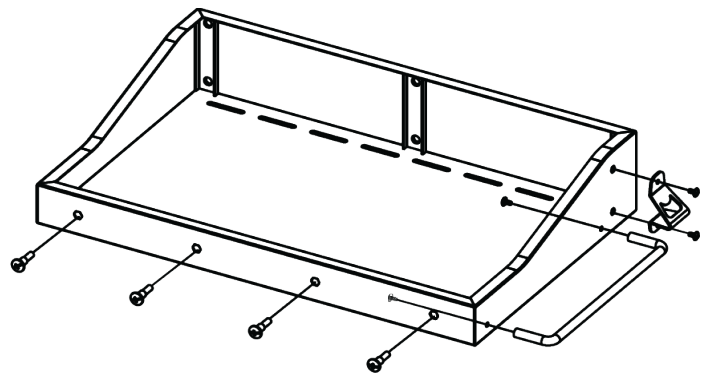
- 1 x Tablette latérale de 25,4 cm (10 po) de longueur dotée d'un porte-serviette avec vis
- 4 x Crochet à ustensiles avec écrou
- 1 x Crochet à ustensiles avec écrou
- 1 x Décapsuleur
- 6 x Vis Phillips (D)
- 6 x Rondelle élastique (F)
- 6 x Rondelle (G)

**Installation :****Étape 1 – Crochets à ustensiles**

- Retirer les écrous des quatre (4) crochets.
- Insérer les crochets à ustensiles dans les quatre (4) trous prévus à cet effet sur le dessus de la tablette.
- Visser chacun des écrous à la main, puis les serrer complètement à l'aide d'une clé.

**Étape 2 – Porte-serviette chromé**

- Retirer les deux (2) vis du porte-serviette.



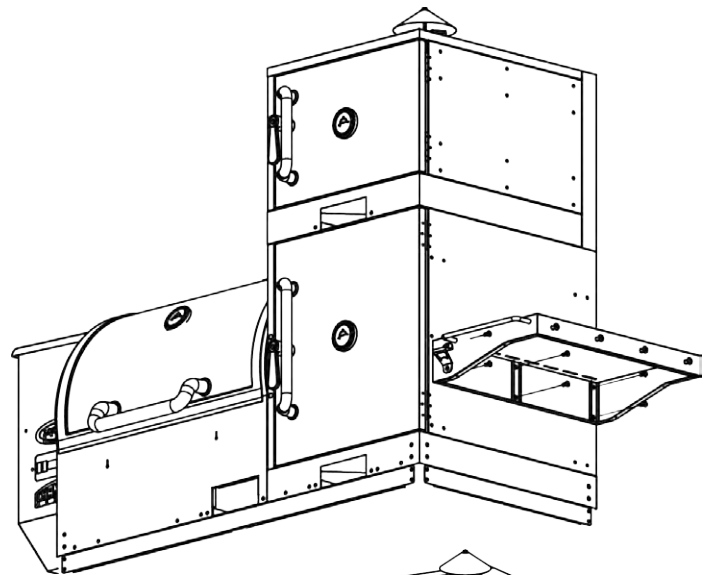
- Insérer les vis dans les deux (2) trous prévus à cet effet sur le devant du dessus de la tablette (no 23).
- À l'aide d'un tournevis à pointe cruciforme, serrer complètement les vis.

### Étape 3 – Décapsuleur

- Retirer les deux (2) vis préinstallées sur la tablette.
- Aligner les deux (2) trous du décapsuleur avec les deux (2) trous situés sur le dessus de la tablette. Serrer les vis, d'abord à la main, puis avec un tournevis.

### Étape 4 – Tablette latérale

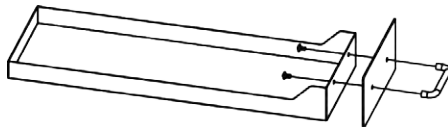
- Fixer la tablette latérale à l'unité avec les six (6) vis, les six (6) rondelles élastiques et les six (6) rondelles. Serrer les vis à la main d'abord, puis les serrer fermement à l'aide d'un tournevis à pointe cruciforme.



## 14 INSTALLATION DES PLATEAUX À GRAISSE

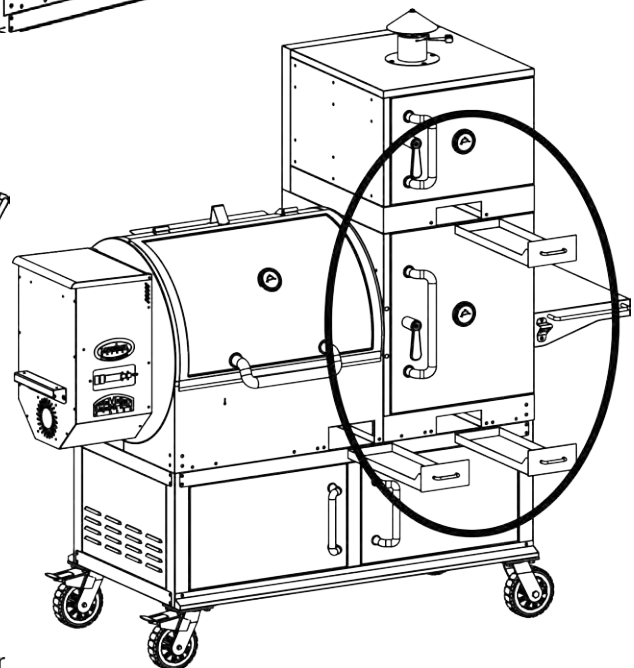
### Pièces requises :

- 3 x Plateau à graisse
- 3 x Plaque avant
- 3 x Poignée avec vis



### Installation :

- Retirer les deux (2) vis de chaque poignée.
- Insérer les vis dans les deux (2) trous prévus à cet effet sur le devant des plateaux à graisse.
- Placer une (1) plaque avant sur chaque paire de vis, puis les aligner avec les poignées.
- À l'aide d'un tournevis à pointe cruciforme, serrer complètement les vis.



**CONSEIL :** Pour faciliter le nettoyage et diminuer l'entretien, recouvrir le fond du plateau à graisse de papier d'aluminium ou d'une mince couche de sable.

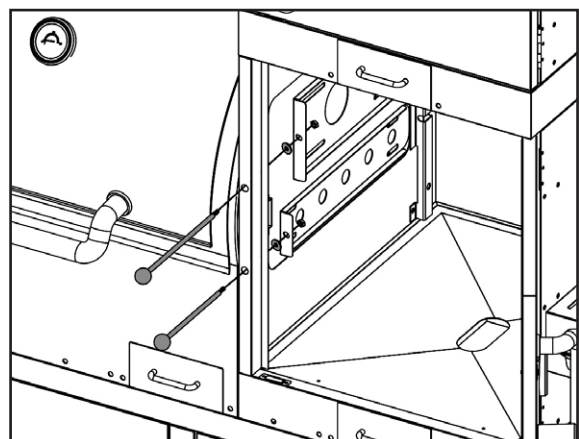
## 15 INSTALLATION DES COULISSES

### Pièces requises :

- 2 x Coulisse vissable avec bouton

### Installation :

- Glisser les coulisses dans le panneau avant du fumoir.
- Insérer les extrémités filetées dans les deux clapets qui se trouvent à l'intérieur du fumoir.
- Visser complètement les coulisses dans le sens horaire.





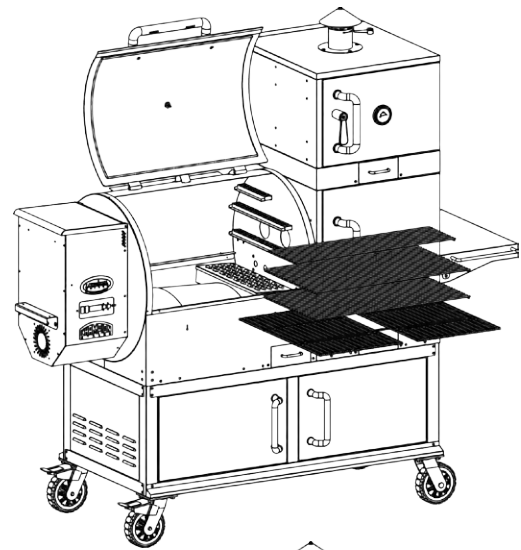
## 16 INSTALLATION DES SURFACES DE CUISSON PRINCIPALES

### Pièces requises :

- 2 x Grille de cuisson principale en fonte recouverte de porcelaine
- 2 x Grille supérieure en acier recouverte de porcelaine
- 1 x Grille supérieure en acier recouverte de porcelaine

### Installation :

- Mettre les grilles principales en place.
- Installer les grilles supérieures dans les supports appropriés.



## 17 INSTALLATION DES GRILLES DE SUPPORT

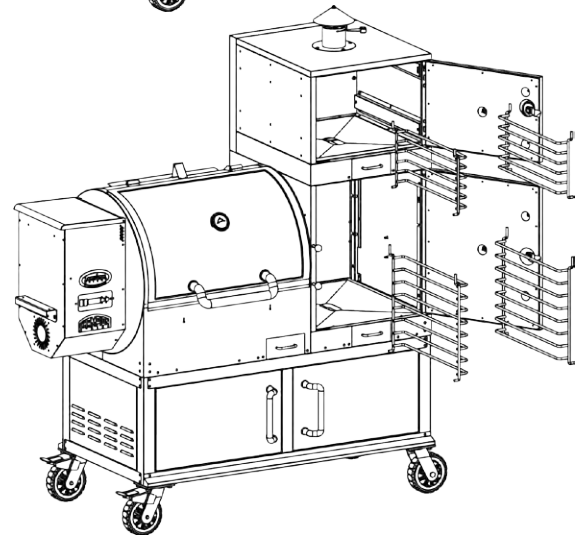
### Pièces requises :

- 2 x Grille de support recouverte de porcelaine (petite)
- 2 x Grille de support recouverte de porcelaine (grande)

### Installation :

#### Étape 1 – Grilles de support supérieures

- Commencer par l'installation des deux (2) petites grilles de support dans l'unité supérieure.
- Tenir la grille légèrement en angle, puis insérer les crochets du haut dans les trous prévus à cet effet dans l'unité principale.
- Glisser la grille vers l'avant pour aligner les crochets du bas avec les trous prévus à cet effet.
- Bien insérer les crochets dans les trous.



#### Étape 2 – Grilles de support du fumoir

- Les deux (2) grandes grilles de support s'installent sensiblement comme les grilles de support supérieures de l'unité principale.

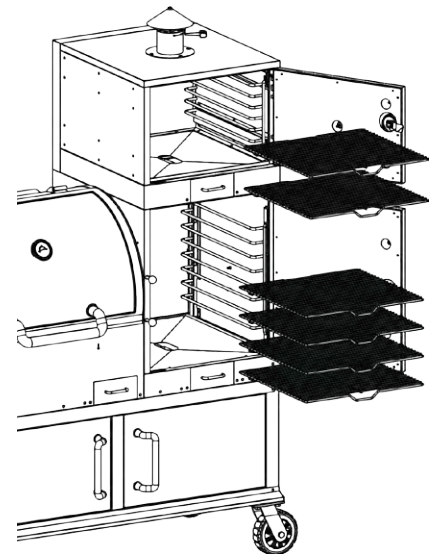
## 18 INSTALLATION DES GRILLES DU RÉCHAUD

### Pièces requises :

- 6 x Grille en acier recouverte de porcelaine pour le réchaud

### Installation :

- Glisser simplement le nombre de grilles désiré dans les supports, selon les besoins.



## 19 INSTALLATION DU CUISEUR À VAPEUR

### Pièces requises :

- 1 x Boîtier du cuiseur à vapeur
- 1 x Couvercle

### Installation :

Le cuiseur à vapeur est conçu pour s'installer sur le grilloir, sous les grilles de cuisson principales. La convection forcée par ventilateur et les liquides chauds sont la combinaison parfaite pour la cuisson à la vapeur, non seulement dans le baril, mais dans toutes les unités du LG Champion.

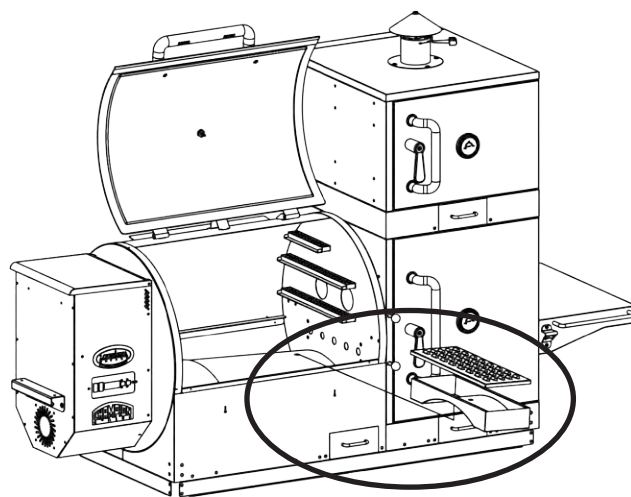
- Retirer les grilles de cuisson principales.
- Insérer le boîtier du cuiseur à vapeur dans le trou prévu à cet effet du côté droit du grilloir.
- Remplir le cuiseur à vapeur d'eau ou d'un liquide au choix.
- Couvrir avec le couvercle à évent.

**CONSEIL :** S'il n'est pas utilisé, il est préférable de ne pas laisser le cuiseur à vapeur en place.

### INSPECTION FINALE ET NETTOYAGE :

TOUJOURS nettoyer la saleté, la poussière et les graisses de TOUTES les surfaces en acier inoxydable ou peintes avant d'utiliser l'appareil. Ces substances pourraient cuire dans le métal et le décolorer.

À l'aide d'un linge doux et d'eau chaude savonneuse, nettoyer complètement toutes les surfaces. Vérifier que toutes les vis sont bien serrées. Un nettoyant pour acier inoxydable et un chiffon doux peuvent servir à nettoyer les surfaces en acier inoxydable.



### RACCORDEMENT ÉLECTRIQUE :

#### À LA MAISON

- Cet appareil nécessite un courant de 110 V, 60 Hz et 5 A.
- Il doit être branché au moyen d'une fiche mise à la terre à trois broches.
- Le panneau de commande numérique est protégé par un fusible de 3,1 x 0,6 cm (1 1/4 x 1/4 po) (5 A, 110 V).

#### PRISES à DDFT

- Cet appareil fonctionne avec la plupart des prises à DDFT. Puissance recommandée de 15 A.
- Si la prise à DDFT est très sensible aux surtensions, elle subira probablement un court-circuit à l'allumage de l'appareil. L'allumeur nécessite entre 300 et 700 W de puissance, ce qui peut dépasser la capacité d'une prise à DDFT. La sensibilité du DDFT prime sa qualité. Chaque fois qu'une prise à DDFT est court-circuitée, sa sensibilité augmente.

**Solution 1 :** Installer une toute nouvelle prise à DDFT.

**Solution 2 :** Brancher l'appareil sur une prise sans disjoncteur.

#### SUR LA ROUTE

- Si l'allumeur n'est pas raccordé aux fils électriques, le LG Champion peut être alimenté par un onduleur de 12 V, 100 W branché sur une prise de voiture. Le barbecue devra être allumé manuellement (voir les instructions d'allumage).
- Il est recommandé d'utiliser un onduleur d'au moins 1 000 W si l'allumeur automatique n'est plus utilisé.

## QUI DIT SAVOIR, DIT POUVOIR

### TROIS ZONES DE CUISSON

#### Première zone : Baril (de 82 à 315 °C / de 180 à 600 °F)

- C'est le point d'origine de la chaleur, de l'air et du goût. Lorsque les clapets du fumoir à chaud sont complètement fermés, la chaleur est confinée au baril.
- En position FERMÉ, le grilloir arqué empêche les aliments d'entrer en contact direct avec les flammes; il forme une grande surface chaude qui aide à faire évaporer les jus de cuisson, qui peuvent ainsi revenir aux aliments pour leur donner encore plus de saveur. Les graisses, elles, s'écoulent directement vers un plateau à graisse. Le grilloir fermé distribue aussi la chaleur de façon uniforme sur toute l'aire de cuisson.

- En position OUVERT, le grilloir arqué permet de cuire les aliments directement sur des flammes d'une chaleur intense. Il réduit aussi le mouvement de convection de l'air dans l'appareil.
- La saveur naturelle de fumée produite par les granules en combustion, le grilloir arqué et la convection forcée par ventilateur offre un goût succulent et une cuisson uniforme uniques au barbecue aux granules. Les convives seront ravis du résultat à tout coup.

### Deuxième zone : Fumoir à chaud (de 65 à 176 °C / de 150 à 350 °F)

- Le fumoir à chaud se trouve dans l'unité du bas. On y trouve deux clapets sur la paroi intérieure gauche qui servent à contrôler l'apport d'air provenant du baril. Il suffit de les ouvrir en fonction des besoins.
- Clapet du haut ouvert et celui du bas fermé : Procure un espace de cuisson supplémentaire tout en maintenant la convection dans le baril.
- Deux clapets ouverts : Maximise la température du fumoir; toutefois, il n'y a plus de convection dans le baril.



### Troisième zone : Fumoir à froid/réchaud (de 15 à 82 °C / de 60 à 180 °F)

- Dans l'unité du haut se trouve le fumoir à froid/réchaud. La température de cette unité se règle au moyen du panneau d'échappement arrière et de la cheminée.

### CHEMINÉE À CLAPET

- Régler le clapet de la cheminée pour créer un flux d'air naturel vers le haut qui aura un effet sur l'unité du bas et du haut.



**CONSEIL :** Le barbecue aux granules LG Champion peut fonctionner efficacement sur de longues périodes et à différentes températures. Il suffit que les granules soient secs, la grille de combustion, bien positionnée, et le nettoyage et l'entretien, réguliers.

## PROCÉDURE DE PRÉPARATION

Noter que pendant le transport ou les déplacements, certains éléments intérieurs du barbecue pourraient bouger. Il est donc nécessaire de l'inspecter complètement d'abord. Suivre la procédure de préparation pour veiller au bon fonctionnement du barbecue.

**CONSEIL :** Il est conseillé de refaire la PROCÉDURE DE PRÉPARATION à chaque utilisation ou toutes les deux utilisations. Ceci garantira un bon allumage et de nombreuses expériences de cuisson réussies.

### Étape 1

Ouvrir le COUVERCLE principal, puis retirer les grilles de cuisson (13).

### Étape 2

Retirer le grilloir arqué (12). Retirer l'emballage. \* Le revêtement du grilloir est à base de graisse alimentaire.

### Étape 3

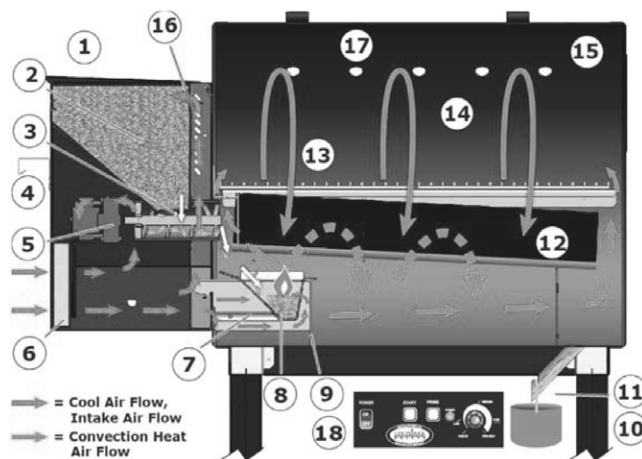
Retirer la grille de combustion en acier inoxydable (8), puis inspecter le creuset de combustion (9). Retirer tout corps étranger. Vérifier qu'il n'y a aucun débris dans les trous d'aération de la grille de combustion (8) et l'allumeur (7).

### Étape 4

Remettre la grille de combustion (8) en place. Vérifier que la grille est bien appuyée sur le creuset de combustion (9) et que l'allumeur est bien aligné avec le trou de la grille de combustion.

### Étape 5

Remettre le grilloir arqué (12) en place. La plus grande partie du grilloir doit être placée face vers le haut avec les fentes du côté de la trémie. Le grilloir s'appuie sur le support et la plaque de séparation des graisses. Il s'accroche à l'attache réglable qui se trouve



au-dessus de la chute à granules. Veiller à ce que le support soit bien appuyé contre la paroi du baril. Déposer la seconde partie du grilloir par-dessus la première, puis glisser en position fermée.

### Étape 6

Remettre les grilles de cuisson (13) en place.

### Étape 7

Vérifier que les trois plateaux à graisse sont installés, propres et prêts à être utilisés.

### Étape 8

Ouvrir le couvercle de la trémie (1), puis vérifier qu'il n'y a aucun corps étranger à l'intérieur de cette dernière. Remplir la trémie (2) avec des granules de bois naturel.

### Étape 9

Ouvrir, puis inspecter les deux fumoirs. Retirer tout corps étranger.

### Étape 10

Tirer et pousser sur les deux coulisses pour vérifier qu'elles fonctionnent bien.

### Étape 11

Brancher l'appareil. Allumer le barbecue. Commencer la cuisson!

## PANNEAU DE COMMANDE NUMÉRIQUE G2

Ce panneau de commande de type PID est essentiellement le même que ceux des fours de cuisine. Ses principaux avantages? Sa capacité à compenser automatiquement les différentes conditions ambiantes et les types de combustible, pour une cuisson longue et sans tracas, ainsi que son thermomètre à viande programmable.

N.B. : À l'instar des fours de cuisine, la température RÉELLE varie en fonction des conditions météorologiques, de la sorte de granules utilisée et de la quantité d'aliments en cuisson.



## CONCORDANCE DE LA TEMPÉRATURE ENTRE LES INSTRUMENTS

La température intérieure de tous les barbecues varie d'un endroit à l'autre. Même les instruments calibrés ensemble vont donner des températures différentes.

### BOUTON MARCHE/ARRÊT

Ce bouton à effleurement sert à allumer le panneau de commande; il activera automatiquement le mode de démarrage. Il sert également à fermer le panneau de commande ou à activer le mode d'arrêt.

### BOUTON « PRIME »

Ce bouton est le même sur tous les panneaux de commande Louisiana Grills. Il a été demandé par les cuisiniers de compétition. Lorsqu'il est maintenu enfoncé, le système d'ALIMENTATION enverra des granules supplémentaires à la grille de combustion. Ce mode est utile pour ajouter du combustible tout juste avant d'ouvrir le couvercle du barbecue pour que ce dernier revienne à la bonne température plus rapidement. On peut aussi l'utiliser pour augmenter la quantité de fumée.



### BOUTON DE CONTRÔLE DE LA TEMPÉRATURE

Les flèches vers le haut et vers le bas servent à régler la température par intervalles de cinq degrés (la température est indiquée sur l'afficheur à DEL). De 82 °C/180 °F, pour le fumage à chaud, à 315 °C/600 °F, pour saisir les steaks et les boulettes de steak haché. Ce sont aussi ces boutons qu'on utilise pour programmer le thermomètre à viande.



### AFFICHEUR À DEL

L'afficheur sert à indiquer la température, en Fahrenheit ou en Celsius, et à afficher les messages d'erreur et les indications de mise sous tension.

### AFFICHAGE DE LA TEMPÉRATURE

Le bouton Temp permet d'alterner l'affichage entre la température réelle et la température programmée. Les témoins à DEL situés à côté des modes indiquent laquelle est affichée. Les témoins à DEL situés à côté



des modes indiquent laquelle est affichée.

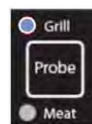
## CHOIX DU THERMOMÈTRE

Le bouton Probe sert à afficher la température du thermomètre du barbecue (Grill) ou du thermomètre à viande (Meat) et à choisir entre les deux modes. Les témoins à DEL situés à côté des modes indiquent la température de quel thermomètre est affichée.

## THERMOMÈTRE À VIANDE PROGRAMMABLE

Conçu avec les plus récentes technologies en électronique de l'état solide, le panneau de commande numérique permet à tous de fumer, de cuire ou de saisir les aliments comme un chef. En plus de pouvoir programmer une température et de la maintenir automatiquement comme avec un four de cuisine (de 82 °C/180 °F, pour le fumage à chaud, à 315 °C/600 °F, pour saisir les aliments), il est aussi possible d'utiliser le thermomètre à viande pour cuire les aliments jusqu'à la température interne désirée, puis de régler le panneau de commande pour garder la nourriture au chaud. Les aliments ne seront plus jamais trop cuits; la cuisson à convection et le panneau de commande permettent au chef de relaxer pendant que le LG Champion s'occupe du reste.

Ce message s'affiche si le mode thermomètre à viande est sélectionné, mais que ce dernier n'est pas branché.



## THERMOMÈTRE À VIANDE PROGRAMMABLE

Le thermomètre à viande programmable à partir du panneau de commande numérique est le plus récent ajout à la famille des barbecues Louisiana Grills; c'est un outil indispensable, tant pour le débutant que pour le pro du barbecue. Il suffit de brancher le thermomètre sur le panneau, d'insérer la sonde dans la pièce à cuire, puis de sélectionner la température désirée. Non seulement la nourriture atteindra la température interne désirée, mais la température du barbecue diminuera automatiquement pour que les aliments soient cuits à la perfection, et ce, à tous les coups. Le chef peut relaxer en attendant de pouvoir profiter de toute la saveur.

## FONCTIONNEMENT

### BRANCHEMENT DU THERMOMÈTRE

Insérer la prise de type audio de 3,5 mm (1/8 po) du thermomètre à viande dans l'adaptateur femelle. Vérifier que la prise est bien entrée dans l'adaptateur; un clic se fera entendre et sentir. Le thermomètre peut ensuite être branché sur le panneau de commande.



### BOUTON MARCHE/ARRÊT

Appuyer sur ce bouton pour allumer le panneau de commande. L'afficheur à DEL bleu s'illuminera, le ventilateur démarrera, les granules commenceront à tomber et l'allumeur commencera à s'allumer.



### TEMPÉRATURE DU BARBECUE

Sur le panneau de commande, appuyer sur Probe pour régler le mode à Grill. Appuyer sur Temp pour régler le mode à Setpoint. À l'aide des flèches vers le haut et vers le bas, sélectionner une température entre 82 °C/180 °F et 315 °C/600 °F. Appuyer de nouveau sur Probe pour que la température réelle du barbecue s'affiche.



### TEMPÉRATURE DU THERMOMÈTRE À VIANDE

Appuyer sur Probe pour régler le mode à Meat. Appuyer sur Temp pour régler le mode à Setpoint. À l'aide des flèches haut et bas, sélectionner une température interne entre 10 °C/50 °F et 107 °C/225 °F. Appuyer de nouveau sur Temp pour que la température réelle du thermomètre à viande s'affiche.



**CONSEIL : En fonction du temps pendant lequel le barbecue sera sans surveillance, sélectionner une température de 10 à 15 degrés plus basse que la température désirée; la cuisson continuera quelque peu jusqu'à ce que le barbecue atteigne la température la plus basse. Vérifier que le thermomètre est bien entré dans la prise; un clic se fera entendre et sentir.**

PROFITER DE LA SAVEUR



Grâce au panneau de commande, le barbecue cuira vos aliments jusqu'à la température sélectionnée, puis diminuera automatiquement sa chaleur à 82 °C/180 °F. Un signal sonore se fera entendre six fois lorsque cette température sera atteinte.

**CONSEIL :** Pour faciliter le nettoyage, vaporiser le thermomètre avec un antiadhésif ou l'enduire d'huile à cuisson avant de l'utiliser.

**CONSEIL :** Toutes les commandes numériques et tous les thermomètres ont une marge d'erreur. Il est normal que la température soit décalée de quelques degrés.

## UTILISATION :

**Attention :** Le thermomètre du barbecue et le thermomètre à viande sont faits de matériaux pouvant supporter des températures élevées; toutefois, il est important de ne pas exposer leurs fils aux flammes ou à des températures extrêmement élevées qui pourraient dépasser leur seuil de résistance.

## POSITIONNEMENT DU THERMOMÈTRE

Le positionnement du thermomètre est important.

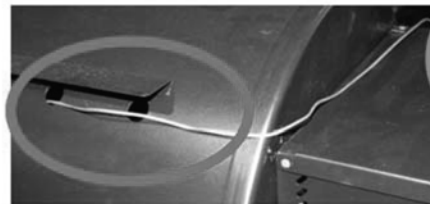
**NE PAS** utiliser le thermomètre à viande si le grilloir est ouvert.

Insérer l'extrémité en acier inoxydable du thermomètre à viande dans la partie la plus épaisse de la viande.

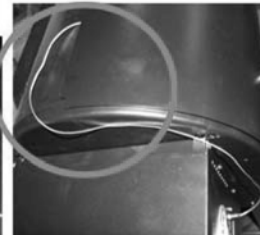
Orienter la viande de sorte que le fil du thermomètre puisse sortir du barbecue/fumoir sans entrer en contact avec les flammes ou des températures excessives. Le fil du thermomètre peut être acheminé au panneau de commande de différentes façons pour éviter qu'il entre en contact direct avec les flammes.



Par le côté du baril, sur les modèles de 2014.



Par les trous d'échappement arrière.



Par le dessus du baril; entre celui-ci et le couvercle.

## ACCROCHAGE DU THERMOMÈTRE À VIANDE

Dans la poignée latérale de la trémie se trouvent deux trous pouvant servir à accrocher le thermomètre à viande lorsqu'il n'est pas utilisé ou en attente d'être nettoyé et rangé.

## ENTRETIEN

1. NE PAS laisser le thermomètre branché au panneau de commande lorsqu'il n'est pas utilisé.
2. NE PAS tordre ou plier les fils avec protecteur en mailles d'acier inoxydable résistant des thermomètres (à viande et du barbecue).
3. NE PAS enrouler les fils serrés. Toujours enrouler les fils en un boudin assez lâche et large.
4. NE PAS recouvrir de papier d'aluminium les fils des thermomètres.
5. NE PAS mettre le thermomètre ou les fils dans le lave-vaisselle ni les submerger, car l'eau pourrait s'infiltrer dans les fils ou les connexions internes et entraîner un court-circuit, après quoi les mesures seront erronées – aucune réparation n'est ensuite possible et un remplacement s'impose.
6. BIEN nettoyer les thermomètres en acier inoxydable. Le thermomètre à viande et celui du barbecue peuvent être nettoyés, une fois refroidis, avec une éponge ou un linge de cuisine savonneux.



La tendance aujourd'hui est à l'alimentation saine et nutritive, ce qui invite notamment à réduire la consommation de gras. L'une des meilleures façons d'y arriver, c'est d'utiliser une méthode de cuisson qui demande peu de matières grasses telle que le barbecue. De plus, comme les barbecues aux granules chauffent avec des granules de bois naturel, une saveur boisée s'imprègne dans les aliments – nul besoin de sauces riches en sucre pour les accompagner.

Dans ce manuel, vous remarquerez que nous prônons la cuisson lente à feu MOYEN (135-190 °C / 275-375 °F). Étant donné les avantages de la cuisson par convection et du grilloir arqué, votre barbecue LG Champion vous permettra d'éviter les embrasements et de conserver au maximum la valeur nutritive des aliments que vous cuisinez.

## La liste ci-après présente de précieux conseils pour une cuisson parfaite d'un barbecue/fumoir aux granules LG Champion.

**Environnement :** Comme pour tous les barbecues, les conditions météorologiques joueront un rôle capital dans la performance de votre fumoir et le temps de cuisson nécessaire pour réussir vos délices culinaires à la perfection. Vu sa construction à paroi simple, le fumoir LG Champion devrait pouvoir servir pendant deux à trois saisons, selon la région où vous habitez. Pour en savoir plus sur la cuisson au barbecue selon les conditions météorologiques, lisez les conseils de cuisson par temps CHAUD et FROID donnés au [www.louisiana-grills.com](http://www.louisiana-grills.com).

**Emplacement du barbecue :** Tous les barbecues LG devraient toujours être à un minimum de 45,72 cm (18 po) de toute surface combustible, que ce soit derrière ou sur les côtés de l'appareil. Votre barbecue est équipé de roues ou de roulettes pour en faciliter le déplacement. Si possible, placez le fumoir à l'abri du vent, ce qui aidera à stabiliser la température, améliorera la rétention de la chaleur et diminuera le temps de récupération de la chaleur après l'ouverture du couvercle. En tournant le fumoir d'un quart de tour pour éviter que le vent n'entre dans les trous d'expulsion de la fumée, vous obtiendrez aussi un meilleur contrôle de la température.

## Utilisation du barbecue

### Combustion initiale

Avant d'utiliser votre barbecue/fumoir pour la première fois, nous vous recommandons de le mettre en marche à vide pour éliminer tout corps étranger. Faites chauffer le barbecue à feu ÉLEVÉ, ou à plus de 232 °C (450 °F), avec le couvercle fermé, pendant 30 à 40 minutes.

### Allumage du barbecue

Il est conseillé de refaire la procédure de PRÉPARATION à chaque utilisation ou toutes les deux utilisations. Ceci garantira un bon allumage et de nombreuses expériences de cuisson sans tracas. Suivez les directives d'allumage fournies dans ce manuel. Si le barbecue ne s'allume pas, c'est fort probablement parce que la grille de combustion est sale ou pleine, ce qui empêche l'air de se rendre à l'allumeur automatique (consultez les instructions d'allumage de ce manuel).

### Préchauffage

Il est extrêmement important de TOUJOURS laisser votre barbecue se préchauffer (à plus de 232 °C [450 °F]) pendant 5 à 10 minutes avant de commencer la cuisson. Ceci accélère le chauffage du barbecue et des grilles de cuisson, en plus d'éliminer les bactéries et les résidus; le barbecue pourra ensuite conserver sa température de cuisson une fois les aliments placés sur la surface de cuisson. Sans PRÉCHAUFFAGE, il faudra beaucoup plus de temps pour amener le barbecue et les aliments à la température de cuisson.

PRÉCHAUFFEZ toujours votre fumoir avec le couvercle fermé. Réglez la température à 232 °C (450 °F), allumez le barbecue et laissez-le se PRÉCHAUFFER pendant 5 à 10 minutes pour qu'il atteigne ou DÉPASSE la température réglée. C'est le moment parfait pour préparer les aliments comme il s'agit de la dernière étape de nettoyage des grilles de cuisson.

**N.B. : Une fois le préchauffage terminé, réglez le barbecue à la température de cuisson voulue, puis laissez le couvercle ouvert jusqu'à ce que la température soit presque atteinte.**

### Position du couvercle

Cuisez toujours avec le couvercle fermé. Ainsi, la température restera constante, les aliments cuiront plus vite et la consommation de combustible sera réduite grâce à la cuisson par convection forcée avec ventilateur. En fermant le couvercle, vous donnerez également une saveur plus fumée aux aliments. Vous pouvez ralentir la cuisson en gardant le couvercle légèrement ouvert au moyen d'un soulève-grille.

**ATTENTION :** Un entretien inadéquat du barbecue et le fait de ne pas nettoyer régulièrement le bas du baril peuvent entraîner des feux de graisse. Dans le cas peu probable où un feu de graisse survient pendant la cuisson, retirer rapidement les aliments et fermer le couvercle. Si le feu ne s'éteint pas très vite, ouvrir le couvercle et verser un peu de bicarbonate de soude sur le feu. Faire

attention de ne pas se brûler. Si cette méthode ne fonctionne pas, régler le bouton d'alimentation à la position d'ARRÊT et garder le couvercle fermé jusqu'à ce que le feu soit complètement éteint.

**La liste ci-après présente de précieux conseils pour une cuisson parfaite digne d'un barbecue/fumoir aux granules LG Champion.**

**N.B. : La température indiquée sur le panneau de commande pourrait ne PAS correspondre exactement à celle sur le thermomètre du dôme.**

*Températures élevées – entre 204 et 315 °C (400 et 600 °F)*

La plage de températures ÉLEVÉES va de 204 à 315 °C (de 400 à 600 °F) selon les conditions extérieures. Elle sert habituellement au préchauffage rapide du barbecue et aux dernières étapes de nettoyage des grilles et du grilloir arqué. Elle est aussi pratique pour la cuisson par temps très froid ou avec le couvercle ouvert. On peut aussi utiliser une température élevée avec le grilloir arqué ouvert pour préparer des biftecks « bleus » ou « de l'enfer », des légumes délicatement flambés, des pains à l'ail et même des s'mores.

*Températures moyennes – entre 135 et 177 °C (275 et 350 °F)*

Cette plage de températures est idéale pour la cuisson à la chaleur, le rôtissage et la touche finale des mets fumés lentement. Les risques d'embrasement sont minimales à ces températures, lorsque le grilloir arqué est FERMÉ. C'est aussi l'idéal pour la cuisson de tout aliment enroulé de bacon ou qui requiert un contrôle précis.

*Températures basses – entre 82 et 122 °C (180 et 250 °F)*

La plage de températures BASSES va d'environ 82 à 122 °C (de 180 à 250 °F) et est parfaite pour rôtir lentement, rehausser la saveur fumée, garder les aliments au chaud et bien d'autres fonctions entrant dans la préparation de plats savoureux. Elle est d'autant plus idéale pour la dinde de l'Action de grâce, le jambon de Pâques ou le festin de Noël.

Le fumage est une déclinaison de la cuisson classique au barbecue. C'est là le véritable atout des barbecues aux granules de bois. On classe le fumage en deux types : À CHAUD ou À FROID.

Le fumage à chaud, autre terme pour la cuisson au barbecue ordinaire, se fait généralement à une température entre 82 et 122 °C (180 et 250 °F) et convient bien pour les aliments nécessitant une longue cuisson, comme les grosses pièces de viande, le poisson ou la volaille.

Pour le fumage à froid, les aliments sont placés loin des flammes de sorte à les fumer, mais sans les cuire. La température varie entre 15 et 32 °C (60 et 90 °F).

**CONSEIL :** Les températures susmentionnées sont approximatives et varieront en fonction de la température extérieure, de la force et de la direction du vent, du type de granules et de leur longueur ainsi que du nombre de fois que le couvercle sera ouvert.

**CONSEIL :** Pour rehausser les saveurs, passer à une température (basse) de fumage à chaud juste après avoir mis les aliments sur la grille. Ainsi, la fumée entrera dans la viande avant que ses fibres ne se referment (à 49 °C [120 °F]).

### **Après la cuisson, le nettoyage**

L'un des grands points forts de votre barbecue LG Champion, c'est le peu de nettoyage qu'il requiert. Vous avez terminé la cuisson et vous attendez maintenant que la saveur s'imprègne dans cette belle pièce de viande? Nous vous invitons à suivre ces quelques étapes :

1. À l'aide d'une brosse de nettoyage à barbecue dotée d'un long manche et de poils en laiton ou en métal doux, enlever tout résidu de nourriture sur les grilles de cuisson tandis qu'elles sont encore chaudes.
2. Chauffer le barbecue à une température ÉLEVÉE (plus de 450 °F) pendant 5 minutes, puis appuyer sur le bouton d'ARRÊT – c'est tout. L'apport en granules s'arrêtera, mais le ventilateur continuera de souffler pour les brûler complètement, puis l'appareil s'arrêtera automatiquement après environ 20 minutes ou lorsque sa température sera sous 54 °C (130 °F).
3. Passer un chiffon imbibé d'eau savonneuse chaude sur les surfaces thermolaquées pour que l'appareil reste comme neuf.
4. Laisser le fumoir LG Champion refroidir, puis le ranger et le couvrir de la housse de barbecue offerte en option.

# POUR COMMENCER

## PROCÉDURE D'ALLUMAGE AUTOMATIQUE

**Toujours inspecter, et nettoyer au besoin, le creuset de combustion, la grille de combustion, l'allumeur, le grilloir, les surfaces de cuisson, la trémie et les granules de bois avant d'utiliser le barbecue.**

**Étape 1 :** Brancher le cordon d'alimentation sur une prise électrique mise à la terre de 110 V. NE PAS briser la broche de mise à la terre du cordon ni utiliser de prise non reliée à la terre ou de rallonge électrique.

**Étape 2 :** Soulever le couvercle de la trémie. Vérifier qu'il n'y a pas de corps étranger dans la trémie ou le système d'alimentation. Remplir la trémie de granules secs de bois dur naturel pour barbecue.

**Étape 3 :** Appuyer sur le bouton de MISE EN MARCHÉ/ARRÊT. Le mode de DÉMARRAGE s'enclenchera. Le système d'alimentation commencera à libérer les granules au rythme préprogrammé; le ventilateur se mettra en marche et l'allumeur commencera à chauffer. Le mode de DÉMARRAGE dure 20 minutes ou le temps nécessaire pour que le barbecue atteigne 65 °C (150 °F).

**Étape 4 :** Appuyer sur la FLÈCHE VERS LE HAUT afin de régler le barbecue à une température ÉLEVÉE pour le préchauffage et le nettoyage.

**N.B. : POUR DES RAISONS DE SANTÉ, IL EST FORTEMENT RECOMMANDÉ DE TOUJOURS PRÉCHAUFFER LE BARBECUE AVANT DE LE RÉGLER À LA TEMPÉRATURE DE CUISSON VOULUE.**

**Étape 5 :** Une fois le PRÉCHAUFFAGE terminé, utiliser les FLÈCHES sur le panneau pour régler le barbecue à la température voulue.

**CONSEIL :** Si la température de cuisson voulue est inférieure à celle de préchauffage, il est fortement recommandé de laisser le couvercle ouvert jusqu'à ce que la température ACTUELLE soit assez près de la température VOULUE.

## PROCÉDURE D'ALLUMAGE MANUELLE

**Étape 1 :** Brancher le cordon d'alimentation sur une prise électrique mise à la terre de 110 V. NE PAS briser la broche de mise à la terre du cordon ni utiliser de prise non reliée à la terre ou de rallonge électrique.

**Étape 2 :** Soulever le couvercle de la trémie. Vérifier qu'il n'y a pas de corps étranger dans la trémie ou le système d'alimentation. Remplir la trémie de granules secs de bois dur naturel pour barbecue.

**Étape 3 :** Retirer les grilles de cuisson et le grilloir. Retirer, nettoyer, puis replacer la grille de combustion.

**Étape 4 :** Mettre deux (2) grosses poignées de granules dans la grille de combustion.

**Étape 5 :** Mettre un allume-feu gélifié, ou un autre allume-feu approuvé pour les granules, sur les granules dans la grille de combustion.

**Étape 6 :** Enflammer l'allume-feu à l'aide d'une grande allumette ou d'un long briquet.

**NE JAMAIS AJOUTER D'ALLUME-FEU DANS UN FEU QUI BRÛLE DÉJÀ OU SUR UNE GRILLE DE COMBUSTION CHAUDE. UNE RÉINFLAMMATION POURRAIT SE PRODUIRE ET DES BRÛLURES GRAVES POURRAIENT S'EN SUIVRE.**

**Étape 7 :** Laisser l'allume-feu brûler les granules pendant 3 à 5 minutes.

**Étape 8 :** Remettre prudemment en place le grilloir et les grilles de cuisson.

**Étape 9 :** Suivre les étapes 3 à 5 de la procédure d'allumage automatique décrite plus haut.

## ARRÊT DU FUMOIR

Avec un minimum de nettoyage, le barbecue aux granules Champion vous accompagnera pendant de longues années. Toutefois,

n'oubliez surtout pas de laisser le barbecue et les grilles de cuisson s'autonettoyer. Pour ce faire, faites chauffer le barbecue à une température ÉLEVÉE ou de PRÉCHAUFFAGE (supérieure à 232 °C [450 °F]) pendant 5 à 10 minutes après chaque utilisation.

Une fois la cuisson terminée, réglez le Champion à une température entre 232 et 260 °C (450 et 500 °F). Laissez-le fonctionner pendant 5 à 15 minutes, selon ce que vous avez cuisiné, pour que le nettoyage habituel se fasse. Si vous avez préparé des viandes particulièrement grasses, comme du BACON, il est recommandé de laisser le barbecue chauffer pendant 10 à 20 minutes de plus. Un feu de graisse pourrait se produire : NE PANIQUEZ PAS ET NE DÉBRANCHEZ PAS L'APPAREIL; gardez simplement le couvercle fermé et laissez le feu s'éteindre tout seul. Cette procédure semblable à celle d'un four autonettoyant réduira grandement les risques d'embrasement la prochaine fois que vous préparerez un délicieux repas.

Une fois le nettoyage terminé, appuyez sur le bouton d'ARRÊT. La procédure d'ARRÊT ou de REFROIDISSEMENT s'enclenchera automatiquement.

- Le système d'ALIMENTATION cessera l'entrée de granules.
- La flamme s'éteindra toute seule.
- Le ventilateur de combustion/refroidissement continuera de tourner jusqu'à ce que l'appareil ait une température de 54 °C (130 °F).
- Une fois la procédure terminée, le VENTILATEUR et le témoin D'ALIMENTATION À DEL S'ÉTEINDRONT.

Vous avez oublié de faire cuire le dessert? Appuyez sur le bouton de MISE EN MARCHÉ. Si le barbecue est à une température supérieure à 65 °C (150 °F), il continuera de fonctionner normalement. Si la température est sous cette barre, vous devrez reprendre au mode de DÉMARRAGE.

## ENTRETIEN DU BARBECUE

Il existe deux approches extrêmes à la propreté d'un barbecue. Certains disent qu'il faut faire briller l'intégralité du barbecue, à l'intérieur comme à l'extérieur, après chaque utilisation, et d'autres sont convaincus que le nettoyage amoindrit la saveur de grillade. Une règle simple : LA MODÉRATION A BIEN MEILLEUR GOÛT!

**CONSEIL :** Faire preuve de rigueur dans le nettoyage et l'entretien du barbecue prolongera sa durée de vie et aidera à conserver sa belle apparence.

### COMMENCER LA SAISON DU BON PIED

En investissant un peu de temps et d'effort en début de saison, non seulement vous prolongerez la durée de vie de votre barbecue, mais vous en garantirez aussi la fiabilité. Vous serez couronné roi ou reine du barbecue! La plupart des techniques de nettoyage sont décrites plus bas. Vérifiez auprès de votre détaillant s'il offre un programme d'entretien annuel ou un service de vérification.

### SURFACES DE TRAVAIL EN ACIER INOXYDABLE

Nettoyez TOUJOURS la saleté et la poussière sur les surfaces en acier inoxydable avant utilisation. La saleté peut cuire dans le métal et le décolorer. Ces surfaces se nettoient facilement avec de l'eau chaude savonneuse et un linge doux. Un peu de nettoyant pour acier inoxydable appliqué avec un chiffon doux fera aussi l'affaire, mais n'en mettez pas sur les surfaces peintes ou les pièces intérieures. Vu la popularité grandissante des appareils en acier inoxydable, il existe maintenant de nombreux produits commerciaux pour nettoyer et protéger ces surfaces.

### SURFACES THERMOLAQUÉES OU PEINTES

**Le revêtement thermolaqué et la peinture ne sont pas couverts par la garantie; leur état relève de l'entretien général.**

N'oubliez pas de chauffer le LG Champion pendant au moins 30 à 40 minutes avant la première utilisation, ce qui fera bien durcir le fini, éliminera la senteur qui émane souvent des appareils neufs et brûlera les résidus de fabrication. **N'UTILISEZ PAS de nettoyeurs pour four ni d'éponges ou de solutions nettoyantes abrasives sur les surfaces finies.**

Une fois un fini appliqué, il est simple d'en maintenir l'apparence d'origine. Les résidus de fumée et la saleté qui s'accumulent sur les surfaces au fil du temps contiennent de l'humidité et des minéraux qui abîmeront le revêtement thermolaqué. Il faut donc nettoyer régulièrement les surfaces finies avec de l'eau savonneuse (nettoyant neutre), puis les rincer à l'eau claire.

Lorsque les surfaces thermolaquées sont installées sans être abîmées et qu'elles sont nettoyées régulièrement, le revêtement devrait être plutôt permanent. Un revêtement bien appliqué, même sans liaison métallurgique, ne devrait pas craqueler, s'écailler ou se décoller, contrairement aux pellicules de peinture ordinaires.

N.B. : Si pour une raison ou une autre, les revêtements thermolaqués et peints présentent des égratignures, des marques d'usure ou des écaillures, il est possible d'y appliquer de la peinture haute température pour barbecue.

## GRILLES DE CUISSON

Avant la première utilisation, lavez en profondeur les grilles de cuisson avec de l'eau chaude savonneuse, puis placez-les dans le fumoir et PRÉCHAUFFEZ-le pendant 20 à 30 minutes. Après la cuisson d'aliments, ouvrez le couvercle et nettoyez bien les grilles à l'aide d'une brosse pour barbecue à long manche. Si vous n'avez pas de brosse, vous pouvez utiliser de longues pinces et une boule de papier d'aluminium. Ensuite, réglez le barbecue à une température ÉLEVÉE ou de PRÉCHAUFFAGE et laissez-le en marche jusqu'à ce qu'il n'émane que de minces volutes de fumée (environ 5 minutes). De cette façon, la plupart des résidus sur les grilles de cuisson brûleront.

À la prochaine utilisation du barbecue, faites-le PRÉCHAUFFER pendant 10 à 15 minutes pour terminer le cycle de nettoyage. Donnez un petit coup de brosse aux grilles. Appliquez une fine couche d'huile de cuisson sur les grilles avant d'y déposer la viande pour accélérer le nettoyage par la suite, mais aussi pour éviter que la viande colle aux grilles et se déchire lorsque vous la manipulerez.

## LA HOUSSE PARFAITE

La housse de votre barbecue aide à le protéger des intempéries et des polluants extérieurs. Comme pour tout produit d'extérieur, l'efficacité de la housse se mesure toutefois à la qualité de l'entretien de l'appareil. En suivant les directives d'entretien présentées dans ce manuel, vous prolongerez grandement la durée de vie de votre barbecue.

### Conseils pratiques

#### À FAIRE

- Garder la housse du barbecue LG propre. C'est la meilleure façon d'éviter que de la moisissure se forme sur la saleté ou toute substance accumulée sur le dessus ou l'envers du tissu. Utilisez un nettoyant ou un autre produit qui protégera la housse en plus de la nettoyer.
- Réparer sans tarder toute déchirure ou tout trou dans la housse.
- Garder la housse à l'écart des animaux de compagnie.
- Garder la housse à l'écart des arbustes et des plantes grimpantes, car bien des plantes contiennent des substances acides qui abîment les tissus.

#### À NE PAS FAIRE

- Couvrir le barbecue s'il est encore chaud.
- Ranger des objets sur la housse.
- Laisser des feuilles, des brindilles ou tout autre débris organique sur la housse pendant une longue période.
- Utiliser un nettoyeur à haute pression ou à vapeur pour nettoyer la housse.
- Utiliser des brosses à poils rigides ou métalliques, des détergents corrosifs, des nettoyeurs abrasifs ou un agent de blanchiment pour nettoyer la housse.

## GRILLOIR ARQUÉ

Le grilloir requiert très peu d'entretien vu sa forme et les matériaux qui le composent. De temps en temps, vous devrez le brosser pour enlever les résidus brûlés, comme le fromage fondu ou les sauces très épaisses. Le meilleur moment pour vérifier l'état du grilloir et le nettoyer est pendant la procédure de préparation, à chaque utilisation ou, au plus, toutes les trois utilisations.

Les rainures pour la graisse doivent être nettoyées de temps à autre pour éviter une accumulation et permettre l'écoulement fluide de la graisse jusqu'à la zone de collecte de graisse ainsi que le mouvement facile de la glissière du grilloir.

Le grilloir principal est équipé d'encoches à chaque extrémité servant à l'accrocher au support. Cette configuration permet de placer le grilloir à l'envers pour brûler tous les résidus accumulés et simplifier le nettoyage.

## ENCEINTE DE CUISSON

Au début de la saison et deux à trois fois pendant celle-ci, il est conseillé de retirer le grilloir arqué et la grille de combustion, puis de bien nettoyer l'intérieur du barbecue (dégraissage, coup d'aspirateur) pour enlever tous les résidus accumulés.

- S'assurer que le barbecue est COMPLÈTEMENT REFROIDI avant d'y insérer un aspirateur d'atelier ou de retirer manuellement les cendres.
- Utiliser de l'eau chaude savonneuse, un dégraissant de cuisine ou autre pour nettoyer tout l'intérieur du baril. On réduit ainsi l'accumulation de graisse et, par conséquent, les risques d'embranchement.
- Nettoyer les résidus dans le dégorgeoir de graisse.



## CREUSET DE COMBUSTION

Le creuset de combustion est le récipient dans lequel repose la grille de combustion. Sur son fond solide et étanche se trouve une fente par laquelle il est vissé de façon permanente au fond du baril. Il est également fixé aux extrémités du baril par deux vis.

Le creuset de combustion est également joint de façon étanche aux extrémités du baril, à l'intérieur comme à l'extérieur, ainsi qu'au fond du baril.

Le creuset de combustion sert principalement de récipient pour l'allumeur et de passage pour l'air envoyé par le ventilateur jusqu'à la grille de combustion. Il ne nécessite donc que très peu d'entretien. Vous devrez, de temps en temps, retirer (avec un aspirateur ou une brosse) les cendres ou les débris qui seraient tombés en dessous de la grille de combustion.

Il est primordial que le creuset soit fixé solidement aux parois latérales et au fond du baril, et qu'il soit accroché et vissé en place afin qu'il ne bouge pas. Pour vérifier l'étanchéité du creuset de combustion, vous n'avez qu'à placer un peu de cendres fines près du creuset, à l'extérieur du barbecue, et à mettre en marche le ventilateur : si les cendres ne s'envolent pas, le creuset est bien fixé.

## GRILLE DE COMBUSTION EN ACIER INOXYDABLE

**L'entretien et le positionnement adéquats de la grille de combustion sont essentiels au bon fonctionnement du barbecue.**

Vérifiez de temps en temps les trous d'aération sur les côtés de la grille de combustion pour toute obstruction ou accumulation.

À l'aide d'une brosse métallique ou d'un tournevis à tête plate, grattez les débris et les résidus accumulés. Si l'accumulation est considérable et qu'elle bloque les trous, vous pouvez utiliser une perceuse pour les déboucher.

Avec de la laine d'acier ou du papier sablé fin, nettoyez les débris et les résidus brûlés sur la glissière de la grille de combustion, sans quoi ils empêcheront les granules de glisser complètement dans la grille de combustion.

Réinstallez la grille en portant une attention particulière à sa position : elle doit être droite, son trou d'allumeur aligné avec celui-ci, avec un petit espace de chaque côté dans le creuset de combustion.

## ALLUMEUR

L'allumeur électrique de 300 W requiert très peu d'entretien. Vérifiez d'abord qu'il n'est pas sale ou obstrué. Utilisez un cintre ou une broche pour retirer tout débris entre sa tige chaude et son compartiment.

Vérifiez la position de la tige chaude dans le tube de l'allumeur. Elle devrait être au ras, voire un peu à l'intérieur, de l'extrémité angulaire avant du compartiment. Vous devrez peut-être dévisser légèrement un (1) des ensembles de vis qui retiennent la tige chaude.

Vérifiez que les vis des quatre (4) ensembles retenant la tige chaude dans le boîtier en acier inoxydable sont correctement serrées, mais ne les serrez PAS TROP.

## ZONES ET TIROIRS DE COLLECTE DE GRAISSE

Veillez toujours à ce que la zone de collecte de graisse soit propre et exempte de débris. Vérifiez et nettoyez non seulement le tiroir, mais aussi la zone principale de collecte au bout du grilloir ainsi que le tube allant de la zone au tiroir.

Pendant la saison estivale, retirez plus souvent les accumulations de graisse pour éviter qu'elles ne rancissent et que de petites créatures élisent domicile dans votre barbecue.

## ON L'UTILISE MOINS... MAIS ON L'UTILISE ENCORE!

Nous vous recommandons non seulement d'effectuer les étapes d'entretien décrites préalablement, mais aussi de suivre les suivantes, une fois par mois, lorsque votre barbecue est froid.

1. À l'aide d'une brosse à légumes rigide, faire tomber les dépôts accumulés sur les parois intérieures du barbecue.
2. À l'aide d'un vieux pinceau, nettoyer les débris accumulés dans la chambre de cuisson, sur la grille de combustion et sur le grilloir arqué.
3. Nettoyer en profondeur le barbecue, lorsque froid au toucher, avec un aspirateur d'atelier, puis le laver et le rincer sommairement.
4. Examiner les surfaces thermolaquées et peintes. Apporter des retouches pour toute égratignure avec une peinture adéquate.

## TRÉMIE À REFROIDISSEMENT PAR VENTILATEUR LG CHAMPION

**AVERTISSEMENT : TOUJOURS DÉBRANCHER LE BARBECUE AVANT TOUTE MANIPULATION D'ENTRETIEN.**

**Extérieur de la trémie :**

Certaines vérifications devraient être faites sur l'EXTÉRIEUR de la trémie :

1. Nettoyer tout débris sur la prise d'air du ventilateur (toiles d'araignées, bourre cotonneuse d'arbres, etc.). S'assurer que rien ne bloque le passage de l'air dans un rayon de 45,72 cm (18 po) de la prise d'air du ventilateur.
2. Nettoyer tout débris sur les fentes d'aération, situées sur les parois avant et arrière.
3. Inspecter et nettoyer la zone à combustible de la trémie.  
Retirer les quatre (4) vis sur l'écran de protection de la trémie.  
Deux (2) vis sur la trémie et deux (2) sur le panneau d'accès, sur le côté de la trémie.

Appliquer, si désiré, une couche de cire à automobile pour protéger le métal galvanisé et faciliter le passage des granules. Inspecter la zone de la vis sans fin métallique. Nettoyer les sciures et les débris. Si trop de lignes se forment, l'alimentation et la stabilité de la température en souffriront.

#### Intérieur de la trémie (dans le panneau d'accès) :

Retirer les huit (8) vis retenant le panneau d'accès au côté de la trémie : quatre (4) au haut, deux (2) au centre et deux (2) au bas. Cela vous permettra d'effectuer les opérations suivantes dans l'ensemble de trémie:

1. Nettoyer tout débris à l'intérieur du boîtier de la trémie.
2. Nettoyer tout débris sur les pales du ventilateur et dans son boîtier.
3. Nettoyer tout débris sur le moteur de la vis sans fin.
4. Faire un examen visuel du faisceau électrique et de toutes les connexions électriques.
5. Vérifier que les surplus de fils ne bloquent pas le passage de l'air du ventilateur à la grille de combustion.

Une fois la vérification terminée, réinsérer toutes les vis. Visser d'abord chacune d'elles à la main pour bien respecter le filetage.

## TECHNIQUES ET CONSEILS DE CUISSON AU BARBECUE

Voici quelques techniques et conseils utiles qui nous ont été transmis par nombre de propriétaires de barbecues Louisiana Grill, nos employés, nos parents et amis, ainsi que certains de notre cru, fruit de bien des années d'expérience.

### Tout est question de DURÉE et de TEMPÉRATURE.

N'oubliez pas : une recette, ce n'est qu'un guide.

- La première fois que vous faites une recette sur le barbecue, vous devriez l'exécuter de la même façon qu'à l'intérieur. La deuxième fois, vous pourrez ajuster le temps et la température de cuisson pour modifier le goût. Prenez vos résultats en note.
- Une température de 176 °C (350 °F) dans votre four, c'est la même chose dans votre barbecue à l'extérieur.
- Avant de préchauffer le barbecue, vérifiez qu'il est sécuritaire, propre et salubre.
- **Préchauffez toujours votre barbecue avant la cuisson.** Réglez le barbecue à la température de votre choix, mais supérieure à 232 °C (450 °F), fermez le couvercle et laissez le barbecue chauffer pendant au moins 10 à 15 minutes ou jusqu'à ce que le thermomètre indique une température supérieure à 232 °C (450 °F).
- Essuyez toutes les surfaces en acier inoxydable avant le préchauffage, sinon la saleté et les tâches de nourriture cuiront dans les surfaces.
- **« Préparation ».** Voilà un mot clé pour devenir un pro du barbecue. On fait référence ici au fait de placer près de vous les ingrédients et les ustensiles dont vous aurez besoin, avant d'entamer la cuisson.
- Vérifiez que le bac à cendres/d'égouttement est propre et exempt de débris ou d'accumulation de graisse. Vous pouvez le recouvrir de papier d'aluminium pour accélérer le nettoyage par la suite.
- Vérifiez toujours qu'il n'y a pas de débris dans la trémie de granules de bois et que vous ne manquez pas de granules avant la fin de la cuisson. Utilisez un aspirateur d'atelier pour nettoyer toute accumulation de sciures.
- Pour éviter que les aliments ne collent, vous pouvez badigeonner de l'huile de cuisson sur les grilles de cuisson. Si vous utilisez un vaporisateur d'huile végétale, appliquez l'huile avant d'allumer le barbecue. Ne vaporisez jamais les grilles lorsqu'un feu brûle dans le creuset de combustion.
- Faites saisir la viande, puis continuez la cuisson avec le couvercle fermé pour des grillades parfaites à tout coup.
- Tous les barbecues Louisiana Grills ont été conçus pour offrir une circulation égale de la chaleur forcée par le ventilateur afin que les aliments cuisent uniformément sur tous les côtés. Laissez au moins 2,54 cm (1 po) entre les aliments et la hotte pour une bonne circulation de la chaleur.
- **Dans les recettes de cuisine au barbecue, les temps de cuisson sont estimés d'après une température extérieure de 20 °C (70 °F) avec peu ou pas de vent. Accordez plus de temps les jours plus froids et venteux ou si vous vous trouvez en haute altitude. Accordez moins de temps les journées plus chaudes.**

- Pour obtenir une meilleure pénétration de la fumée dans la viande, préférez une cuisson LENTE à BASSE température, car les fibres de la viande se referment à une température interne de 50 °C (120 °F).
- Utilisez des pinces à long manche pour retourner la viande et une spatule pour les boulettes de steak haché et le poisson. N'utilisez pas de fourchette pour retourner la viande, car elle percera la viande, et les jus savoureux s'échapperont.
- Pour éviter que la viande ne sèche pendant une cuisson LENTE à BASSE température, vous pouvez la vaporiser ou la badigeonner, par exemple, d'un mélange moitié-moitié de jus de pomme (pas de cidre) et d'eau – la viande restera ainsi juteuse et prendra une superbe couleur.

**CONSEIL :** Il est recommandé d'ajouter les sauces vers la fin de la cuisson pour éviter qu'elles ne brûlent.

- L'achat d'un tapis de barbecue est un investissement intelligent. Ce tapis aidera à protéger les précieuses dalles de votre terrasse contre les taches de graisse et les dégâts causés par la cuisson par convection forcée avec ventilateur.

## GRANULES DE BOIS DUR 100 % NATUREL POUR BARBECUE

Ils ne sont pas plus gros que l'efface au bout d'un crayon. Les personnes qui les voient pour la première fois les comparent à de la nourriture pour lapins, mais leur énergie thermique et l'arôme qu'ils dégagent n'ont rien de négligeable. Ces granules de bois à combustion propre génèrent environ 8 200 BTU par livre, produisent très peu de cendres (0,13 kg par sac de 18,14 kg [0,3 lb par sac de 40 lb]), ont une faible teneur en humidité (5 à 7 %) et sont carboneutres.

Les granules de bois pour barbecue sont produits à partir de la même matière que ceux de qualité supérieure PFI pour le chauffage domestique (visitez le site [pelletheat.org](http://pelletheat.org)). Les matières premières pures (sciures) sont pulvérisées avec un broyeur à marteaux et pressées à travers une filière. À la sortie de la filière, un ciseau découpe la matière en granules d'une longueur précise. Les granules sont ensuite refroidis, triés, aspirés et emballés dans des sacs de 9,07 ou 18,14 kg (20 ou 40 lb).

Les granules de bois pour barbecue sont différents de ceux pour le fumage, utilisés dans les barbecues au gaz, car ils combinent un type de bois principal et un type de bois neutre. Ainsi, en utilisant les granules comme combustible principal, vous obtenez une saveur plus intense.

### Guide des saveurs

Communiquez avec votre détaillant pour connaître la disponibilité des saveurs dans votre région.

	Bœuf	Bison	Agneau	Porc	Volaille	Poisson	Légumes	Cuisson à la chaleur
Hickory	X	X		X	X	X		
Mesquite	X	X		X	X	X		
Pacanes	X	X		X	X	X		
Pomme				X	X	X		X
Cerisier	X	X	X		X	X		X
Compétition	X	X	X	X	X	X	X	X
Tonneau de Whisky	X	X	X	X	X	X	X	X

**Mélange Hickory :** Riche saveur fumée semblable à celle du bacon. Connu comme « le roi des bois ».

**Mélange Mesquite :** Forte saveur épicée et acidulée. Fait penser à la cuisine Tex-Mex.

**Mélange Pacanes :** Saveur délicate du Sud-Est. Saveur fumée similaire à celle du bacon. Semblable au mélange Hickory, mais moins fort.

**Mélange Pomme :** Saveur fumée et modérément sucrée. Fortement recommandée pour la cuisson à chaleur sèche.

**Mélange Cerisier :** Saveur légèrement sucrée, mais également acidulée. Donne une teinte rosée aux viandes blanches.

**Mélange de compétition :** *Érable, Hickory et Cerisier. Mélange parfait de saveurs sucrées, délicieuses et acidulées. Utilisé par de nombreux maîtres du barbecue.*

**Mélange Tonneau de Whisky :** *Tonneau de Whisky en chêne. Forte fumée sucrée avec goût aromatique. Parfait pour les viandes rouges.*

**CONSEIL :** *Toujours conserver les granules de bois dans un endroit sec. Éviter tout contact avec l'eau ou toute exposition à l'humidité, car les granules absorberaient l'humidité, ce qui réduirait leur rendement calorifique ou provoquerait leur gonflement, puis leur fragmentation. Utiliser un bac ou un seau résistant à l'humidité et refermable.*

**⚠ Avertissement conformément à la Proposition 65 de la Californie :** Les effluents de combustion générés par l'utilisation de cet appareil contiennent des produits chimiques considérés par l'État de la Californie comme pouvant causer le cancer, des anomalies congénitales et d'autres problèmes reproductifs. Se laver les mains après l'utilisation.

Cet appareil contient des produits chimiques considérés par l'État de la Californie comme pouvant causer le cancer, des anomalies congénitales et d'autres problèmes reproductifs. Se laver les mains après l'utilisation.

# DÉPANNAGE

Un bon nettoyage et un bon entretien, ainsi que l'utilisation de combustible propre, sec et de bonne qualité, aideront à prévenir la plupart des problèmes de fonctionnement du barbecue. Toutefois, quand votre barbecue aux granules de bois Louisiana Grills ne fonctionne pas bien ou pas du tout, les conseils de dépannage suivants peuvent être utiles.

Ce qui suit n'est pas une liste exhaustive. Pour obtenir plus de renseignements ou de l'information à jour, rendez-vous sur notre site Web au [www.louisiana-grills.com](http://www.louisiana-grills.com) et cliquez sur « **Support** » : ou bien communiquez avec  **votre détaillant autorisé**  ou le **service à la clientèle de Dansons** au numéro sans frais **1 877 303-3134, en semaine, entre 8 h et 17 h (heure des Rocheuses)**.

**NE PAS RETOURNER** l'appareil sans avoir d'abord appelé le service à la clientèle de Dansons pour obtenir de l'aide.

**AVERTISSEMENT** : Toujours débrancher le cordon électrique avant d'ouvrir la plaque d'inspection de votre barbecue pour effectuer l'inspection, le nettoyage, la maintenance ou l'entretien.

**NE JAMAIS** effectuer d'inspection, de nettoyage, de maintenance ou d'entretien sur un **BARBECUE CHAUD**.

PROBLÈME	CAUSE	SOLUTION
Le panneau de commande ne s'allume pas.	Le barbecue n'est pas branché correctement.	Vérifier que tous les fils sont solidement branchés. Vérifier que le barbecue est branché sur une prise à DDFT qui fonctionne.
	La carte de circuit imprimé est en position de rupture de circuit.	Remplacer le fusible (5 A [type nord-américain] ou 8 A) manuellement. (Voir le diagramme de la carte à la fin de cette section.)
	La prise à DDFT est en position de rupture de circuit.	Vérifier que tous les fils sont branchés fermement et secs. S'assurer que le DDFT est d'au moins 10 A.
La température n'est pas dans la bonne unité de mesure.	L'interrupteur de température n'est pas enclenché correctement. Le panneau affiche °F ou °C.	Débrancher le barbecue. Retirer le panneau d'accès de la trémie. Retirer le panneau de commande. Placer l'interrupteur de température, situé à l'arrière du panneau de commande, à l'unité de mesure voulue.
Message d'erreur « ER-1 »	Le barbecue a surchauffé, possiblement à cause d'un feu de graisse ou d'un excès de combustible.	Éteindre le barbecue et le laisser refroidir. Nettoyer l'intérieur du barbecue, enlever les granules en trop et vérifier que les composants sont bien placés.
	Le fil du thermomètre du barbecue n'établit pas de connexion.	Vérifier que le fil du thermomètre est bien branché au panneau de commande. Vérifier que les fils sont bien branchés et sont en bon état.
Message d'erreur « ER-2 »	Le barbecue n'a pas atteint 65 °C (150 °F) dans la fenêtre de 20 minutes allouée.	Vérifier qu'il y a suffisamment de granules dans la trémie. Vérifier dans la trémie si la vis sans fin est bloquée ou bouge anormalement. Vérifier la position de la grille de combustion. Vérifier s'il y a une accumulation de cendres ou d'autres obstructions dans la grille et le creuset de combustion. Vérifier que l'allumeur chauffe et est dans la bonne position. Vérifier que le ventilateur fonctionne bien et tourne à la bonne vitesse. Par temps très froid, il faut parfois une double mise en marche du barbecue. Vérifier que la température actuelle affichée est bien la bonne. Au besoin, nettoyer le thermomètre.
	Le barbecue ne reste pas allumé ou ne maintient pas une température supérieure à 65 °C (150 °F).	Mêmes solutions que celles ci-dessus.
Message d'erreur « ER-3 »	Interruption de l'alimentation.	Une panne de courant s'est produite pendant l'utilisation. Le barbecue a été débranché avant la fermeture du système. Vérifier que le cordon d'alimentation est bien branché dans la prise de courant et dans la trémie.
Message d'erreur « noPR »	Le thermomètre à viande n'est pas branché.	Le thermomètre à viande n'est pas utilisé. Vérifier que le thermomètre est bien inséré dans le panneau de commande. Vérifier qu'aucun fil n'est plié, tordu ou endommagé.

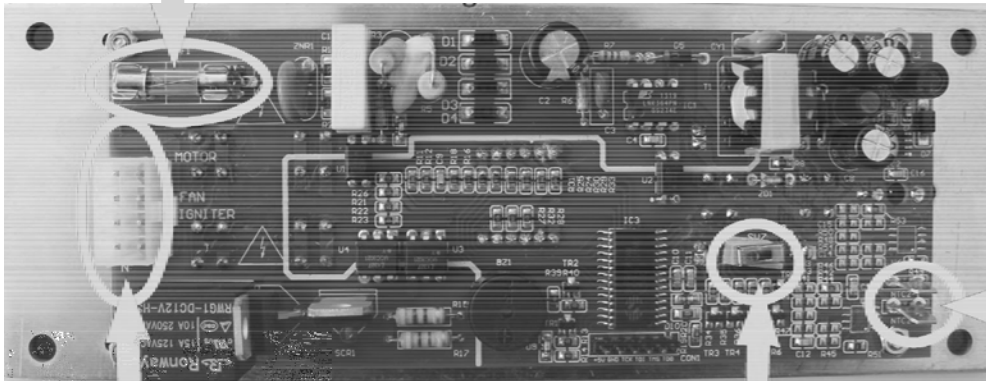
La température actuelle reste toujours la même.	Le thermomètre interne du barbecue doit être nettoyé.	À l'aide d'un linge doux ou d'une éponge légèrement abrasive et d'eau chaude savonneuse, laver le thermomètre.
	Le fil du thermomètre est mouillé	À l'aide d'un séchoir à cheveux, sécher les fils du thermomètre.
	Le thermomètre du barbecue est défectueux.	Remplacer le thermomètre du barbecue.
Le ventilateur de refroidissement se met en marche tout seul.	Le barbecue est exposé à une température extérieure élevée ou sous un soleil plombant.	La température intérieure a atteint ou dépassé 54 °C (130 °F). Ceci n'endommagera pas l'appareil. Placer l'appareil à l'ombre. Soulever légèrement le couvercle pour réduire la température intérieure. Débrancher l'appareil.
Le barbecue n'arrive pas à atteindre une certaine température ou à la maintenir.	La circulation d'air dans la grille de combustion est insuffisante.	Vérifier qu'il n'y a pas d'accumulation de cendres ou d'autres obstructions dans la grille de combustion; vérifier qu'elle est bien placée sur le creuset de combustion. Vérifier que la grille et le creuset de combustion sont bien positionnés, de façon étanche. Vérifier que le ventilateur fonctionne correctement et est bien branché, que la prise d'air n'est pas bloquée et qu'il n'y a pas d'obstruction dans la trémie. Au besoin, nettoyer les pales du ventilateur ou déplacer les fils.  Faire un petit test : Retirer les grilles de cuisson et le grilloir arqué. S'assurer que tout ce qui a été mentionné ci-dessus a été effectué, mettre le barbecue en marche, régler la température au mode de préchauffage et patienter 10 minutes. Vérifier que la flamme produite est vive et lumineuse et qu'elle va dans la direction opposée à la paroi latérale de la trémie.
	Granules de bois insuffisant ou insuffisant.	Vérifier qu'il y a suffisamment de granules dans la trémie Vérifier que les granules sont de la bonne taille, qu'ils ne sont pas humides et qu'il n'y a pas trop de sciures. Garder le bouton « Prime » enfoncé. Vérifier que la vis sans fin fonctionne et tourne sans résistance. Vérifier le thermomètre et le nettoyer.
	Paramètres de contrôle	S'assurer que le panneau de commande est configuré pour afficher la température mesurée par le thermomètre du barbecue.
Le barbecue produit beaucoup de fumée ou de la fumée noire.	Accumulation excessive de graisse ou mauvais entretien général	Vérifier le thermomètre et le nettoyer. Il est recommandé de nettoyer et de faire brûler de manière contrôlée l'excès de graisse après chaque grande cuisson d'aliments gras savoureux.
	Qualité des granules de bois	Vérifier la trémie et le pot de combustion, et retirer tous les granules humides, puis les remplacer par de nouveaux granules secs.
	Grille de combustion	Vérifier qu'il n'y a pas d'accumulation de granules dans la grille de combustion
Des embrasements se produisent souvent.	Température de cuisson	Doucement et à feu bas : c'est la règle à suivre. Puisque la graisse possède un point d'éclair, garder la température en dessous de 176 °C (350 °F) pendant la cuisson d'aliments très gras.
	Graisse ou résidus	Vérifier l'intérieur du barbecue et le nettoyer. Il est recommandé de nettoyer et de faire brûler de manière contrôlée l'excès de graisse après chaque grande cuisson d'aliments gras savoureux.
	Grilloir	Vérifier que le grilloir est complètement <b>FERMÉ</b> .
L'allumeur ne produit pas de feu.	Grille de combustion	Vérifier son bon positionnement. Vérifier qu'il n'y a pas d'accumulation de cendres ou d'autres obstructions.
	Allumeur	Vérifier que l'allumeur ne devient effectivement PAS chaud. NE PAS TOUCHER à l'allumeur ou à son boîtier; des blessures pourraient s'en suivre. Vérifier le bon raccordement de la tige chaude de l'allumeur à la grille de combustion. Retirer la plaque d'inspection avant et vérifier que les fils sont bien branchés.



## CARTE

### FUSIBLE DE 5 A, 120 V – AMÉRIQUE DU NORD

Fusible à cartouche rapide de 0,47 x 1,9 cm (3/16 x 3/4 po)



Thermomètre du barbecue  
Cosses rectangulaires

Connecteur de faisceau électrique à 8 fils

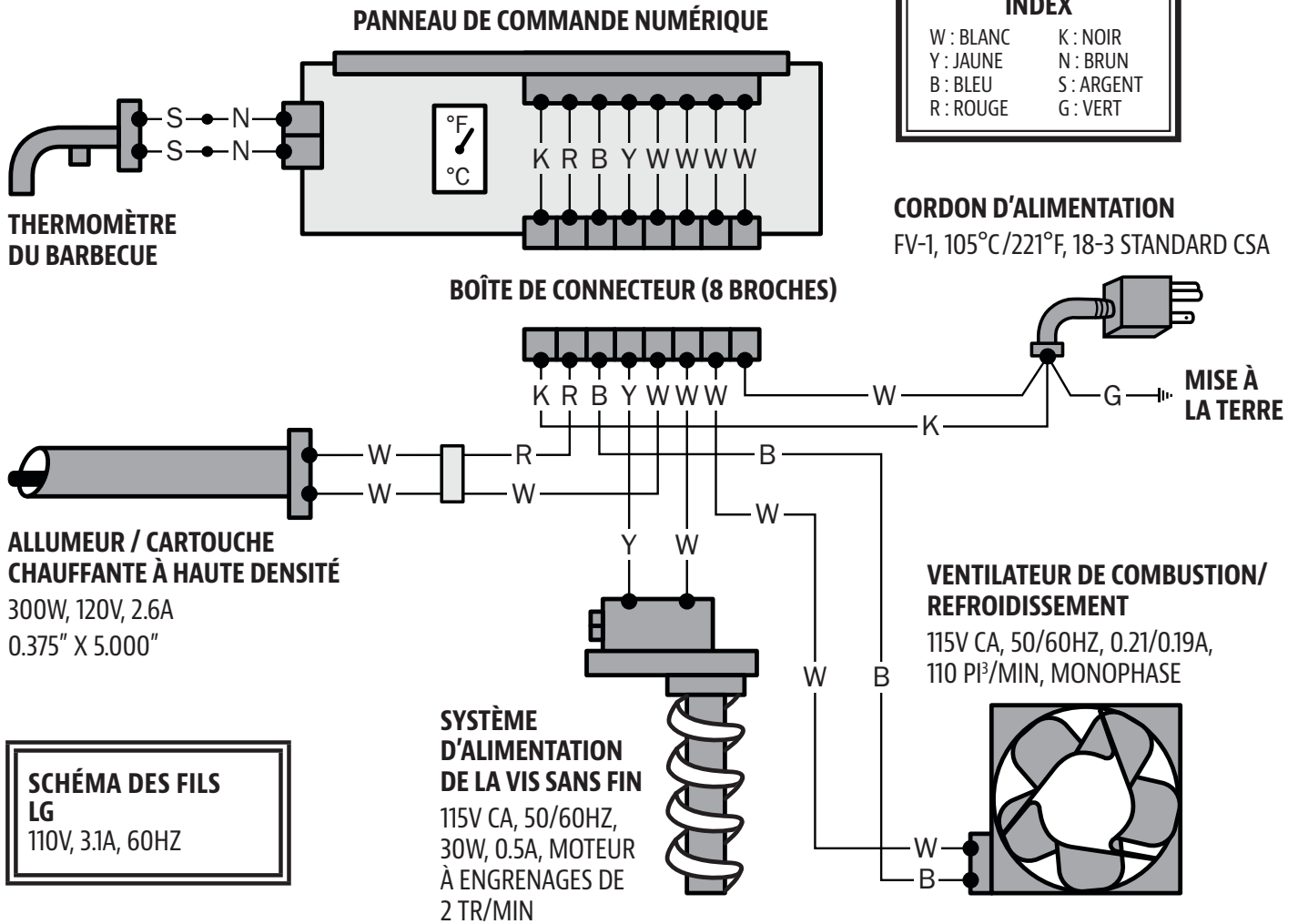
Interrupteur de température  
Celsius/Fahrenheit

Neutre CA (blanc)  Moteur de la vis sans fin (jaune)  
 Ventilateur (bleu)  
 Allumeur (rouge)  
 Phase CA (noir)

Le panneau de commande numérique est un système complexe et précieux.

Un fusible rapide de 5 A/120 V, mesurant 0,47 x 1,9 cm (3/16 x 3/4 po), le protège des surtensions et des pannes de courant.

# SCHÉMA DES FILS



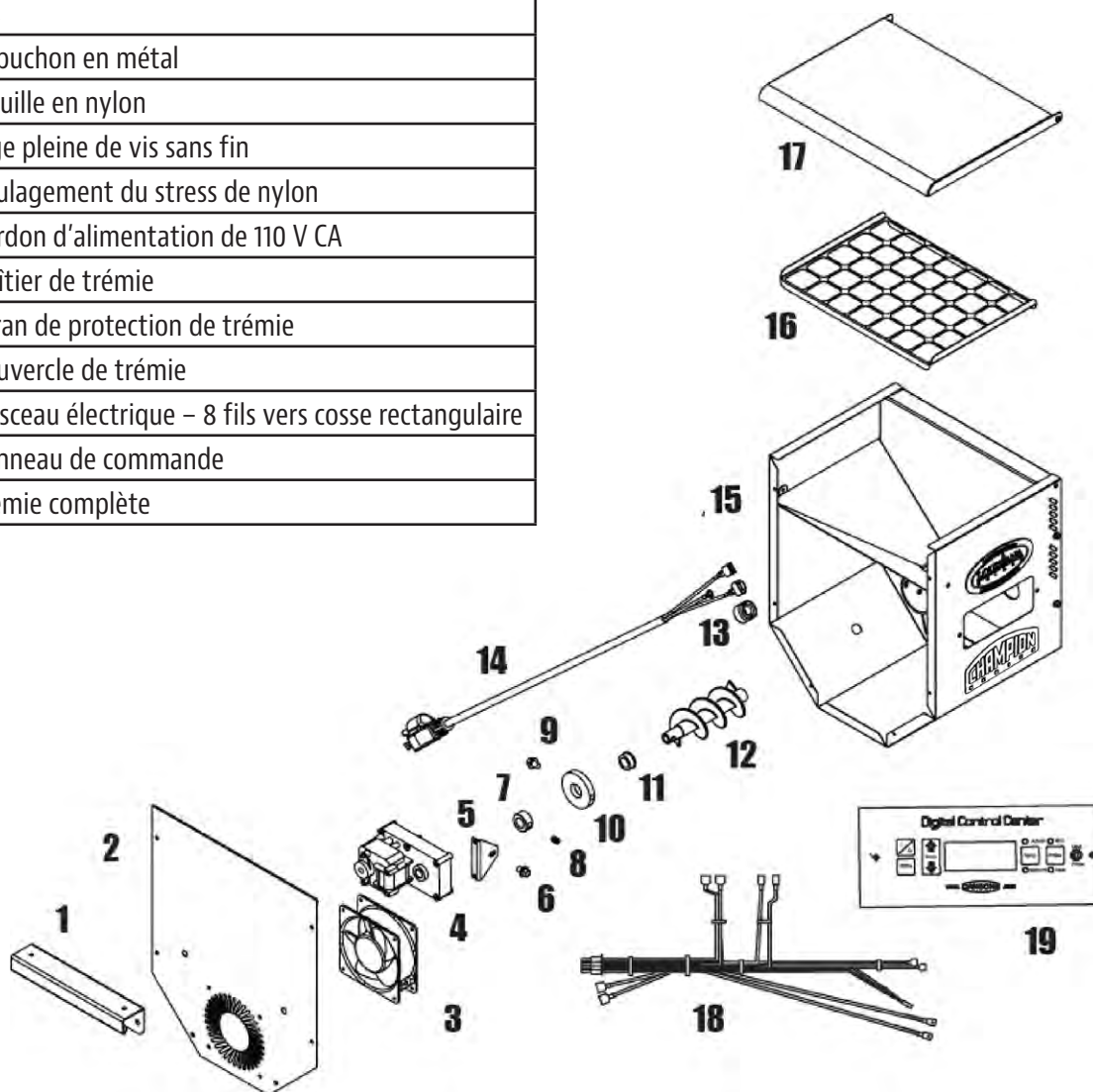
FRANÇAIS

# LISTE DES PIÈCES

## TRÉMIE LG CHAMPION

### ARTICLES DE REMPLACEMENT

Pièce	Description
1	Poignée de trémie
2	Panneau d'accès de trémie
3	Ventilateur
4	Moteur de vis sans fin
5	Support d'installation de vis sans fin
6	Vis
7	Collier d'arrêt en métal de 1,58 cm (5/8 po)
8	Vis de pression de 0,39 x 1,27 cm (5/32 x 1/2 po)
9	Vis
10	Capuchon en métal
11	Douille en nylon
12	Tige pleine de vis sans fin
13	Soulagement du stress de nylon
14	Cordon d'alimentation de 110 V CA
15	Boîtier de trémie
16	Écran de protection de trémie
17	Couvercle de trémie
18	Faisceau électrique – 8 fils vers cosse rectangulaire
19	Panneau de commande
-	Trémie complète



# GARANTIE LIMITÉE

Les barbecues aux granules de bois LG Champion, fabriqués par Dansons Inc., sont couverts – à partir de la date d'achat par le propriétaire initial seulement – par une garantie limitée de cinq (5) ans contre tout défaut de matériaux et de fabrication sur les pièces en acier (à l'exception du creuset de combustion) et de trois (3) ans sur les composants électriques. Il n'existe pas de garantie particulière pour le thermomètre du barbecue, le thermomètre à viande, la peinture, le revêtement thermolaqué, la grille de combustion, la housse de barbecue et les joints ou contre tout dommage causé par la corrosion.

## CONDITIONS DE LA GARANTIE LIMITÉE

Pendant la période de la garantie limitée, l'obligation de Dansons Inc. se limitera au remplacement des composants couverts et défectueux avec fab au point d'expédition. Pendant la période de la garantie, Dansons Inc. ne vous facturera pas la réparation ou le remplacement des pièces retournées, port payé, si Dansons Inc. Détermine que ces pièces se révèlent défectueuses après inspection. Dansons Inc. ne sera pas tenue responsable des frais de transport, des coûts de main-d'œuvre ou des droits d'exportation. Sauf disposition contraire dans la présente section sur les conditions de la garantie, la réparation ou le remplacement des pièces réalisé de la façon décrite aux présentes pendant la période de garantie remplira toutes les responsabilités et obligations directes et indirectes de Dansons Inc. envers vous.

La garantie entre en vigueur à la date d'achat, et une preuve de la date d'achat ou une copie de votre facture originale est requise pour la valider.

La réparation ou le remplacement d'une pièce d'un fumoir lg ne prolonge pas la garantie limitée au-delà de la période de cinq (5) ou trois (3) ans prévue à partir de la date d'achat.

Tout déversement de liquide sur les flammes du barbecue rendra la garantie nulle.

Dansons Inc. prend toutes les précautions pour retarder la formation de rouille en utilisant des matériaux résistants, notamment de la peinture spéciale haute température, lorsque souhaitable. Même avec ces mesures, les revêtements protecteurs peuvent être endommagés par diverses substances et conditions hors du contrôle de Dansons Inc. Les hautes températures, les feux de graisse, l'humidité excessive, le chlore, les gaz industriels, les engrais, les pesticides pour pelouses et le sel sont quelques-unes des substances pouvant abîmer les revêtements peints ou métalliques. C'est pourquoi les garanties limitées ne couvrent pas la rouille ni l'oxydation, à moins que le barbecue présente une perte d'intégrité structurale. Si les cas de figure décrits ci-dessus devaient se produire, reportez-vous à la section du manuel d'instructions sur la protection des revêtements peints. Dansons Inc. vous recommande d'acheter une housse de protection pleine longueur et de couvrir votre barbecue lorsque vous ne l'utilisez pas. Dansons Inc. vous recommande aussi d'utiliser de la peinture haute température à barbecue pour réparer ou rajeunir le barbecue.

Les garanties s'appliquent à un usage domestique normal du barbecue et aucune des deux garanties limitées ne s'applique à un barbecue utilisé à des fins commerciales.

## EXCEPTIONS DE LA GARANTIE LIMITÉE

Il n'existe pas de garantie de performance expresse ou tacite sur les appareils LG Champion, car le fabricant n'a pas de contrôle sur l'installation, l'utilisation, le nettoyage, l'entretien ou le type de combustible brûlé.

La garantie limitée ne s'appliquera pas, et dansons n'assumera aucune responsabilité, si votre appareil n'a pas été installé, utilisé, nettoyé et entretenu conformément aux instructions du fabricant. La combustion de tout élément autre que des granules de bois de qualité pourrait annuler la garantie. La garantie ne couvre pas les dommages ou les bris causés par une mauvaise utilisation, une manipulation inadéquate ou des modifications.

**Le fabricant et les fournisseurs de l'acheteur déclinent toute responsabilité, légale ou autre, quant aux dommages accidentels ou consécutifs à la propriété ou aux personnes résultant de l'utilisation de ce produit. Toute garantie prévue implicitement par la loi, y compris mais sans s'y limiter, les garanties implicites de qualité marchande ou d'adéquation à une fin particulière seront limitées à un (1) an à partir de la date d'achat initiale. Si une réclamation est faite à l'endroit du fabricant basée sur la violation de cette garantie ou de tout autre type de garantie stipulée par la loi ou découlant implicitement de la loi, le fabricant ne sera en aucun cas tenu responsable des dommages-intérêts spéciaux, indirects, consécutifs ou autres de quelque nature que ce soit en surplus du prix d'achat initial de ce produit. Toutes les garanties du fabricant sont énoncées aux présentes et aucune réclamation ne sera faite à l'endroit du fabricant sur la base d'une garantie orale ou d'une représentation quelconque.**

Comme certains états et certaines provinces interdisent l'exclusion ou la limitation des responsabilités quant aux dommages accidentels ou consécutifs, ou la limitation des garanties implicites, les exclusions et limitations énoncées dans cette garantie limitée pourraient ne pas s'appliquer à vous. Cette garantie limitée vous donne des droits spécifiques, et vous pourriez aussi avoir d'autres droits selon l'état ou la province où vous habitez.

Les garanties limitées d'un (1) an remplacent toutes les autres garanties explicites ou implicites, prévues par la loi ou autrement, et Dansons n'accorde à aucune personne et à aucun représentant le droit d'assumer pour dansons toute obligation ou responsabilité liée à la vente du barbecue aux granules de bois. Ceci signifie qu'aucune garantie, soit explicite ou implicite, n'est accordée aux personnes qui achètent le produit auprès d'un autre vendeur que dansons ou qu'un détaillant autorisé dansons.

## AUSTRALIE

Nos articles sont offerts avec des garanties qui ne peuvent connaître d'exclusions au regard de la loi australienne sur la protection des consommateurs. Vous avez droit au remplacement ou au remboursement en cas de défaillance majeure de votre article ainsi qu'à une compensation en cas de perte ou de dommage prévisible. Vous avez aussi droit à la réparation ou au remplacement de l'article s'il n'est pas d'une qualité acceptable et que la défaillance n'est pas majeure.

## COMMENT OBTENIR LES SERVICES PRÉVUS PAR LA GARANTIE

Appelez votre détaillant LG Champion pour une réparation ou un remplacement de vos pièces couvertes par la garantie.

**Soyez prêt à fournir les renseignements suivants :**

1. Copie de la facture
2. Nom de l'acheteur, modèle et numéro de série du barbecue, et date d'achat.
3. Description exacte du problème.

***Cette garantie limitée vous donne des droits spécifiques, et vous pourriez aussi avoir d'autres droits selon l'état ou la province où vous habitez.***

## NUMÉROS DE SÉRIE ET DE MODÈLE

Le numéro de série et le numéro de modèle de votre barbecue LG Champion se trouvent à l'intérieur du couvercle de la trémie. Inscrivez-les dans l'espace fourni ci-dessous pour vous aider en cas de dommages ou de perte.

**Agrafez également à cette page votre facture originale afin de ne pas la perdre!**

---

MODÈLE

---

NUMÉRO DE SÉRIE

---

DATE D'ACHAT

---

DÉTAILLANT AUTORISÉ





## PELIGROS Y ADVERTENCIAS

**«LAS CAUSAS PRINCIPALES DE INCENDIOS SON LA FALTA DE MANTENIMIENTO Y EL NO MANTENER UNA DISTANCIA SUFICIENTE DE LOS MATERIALES COMBUSTIBLES. ES DE SUMA IMPORTANCIA INSTALAR ESTE PRODUCTO SIGUIENDO EXCLUSIVAMENTE ESTAS INSTRUCCIONES».**

**ADVERTENCIA: USTED DEBE comunicarse con las autoridades locales de la construcción, del cuerpo de bomberos, de la asociación de vecinos u otra autoridad competente, para obtener los permisos, la autorización o la información necesaria acerca de cualquier restricción relacionada con la instalación de un asador sobre una superficie combustible, con los requisitos de inspección o incluso con la capacidad de usar un asador en su sector.**

- **DEBE** mantener la totalidad del asador a una distancia mínima de 45,72 cm (18”), o a una distancia segura, de cualquier combustible.
- **NO** instale ni opere el asador debajo de un techo o cornisa inflamable.
- **NO** use el asador en interiores o en un área cerrada sin ventilación.
- **DEBE** limpiar y dar mantenimiento periódicamente a su asador.
- **DEBE**, después de un periodo sin uso y/o de almacenamiento, comprobar que la rejilla de combustión no esté obstruida, ni que existan objetos extraños dentro del asador y la tolva, ni que haya obstrucciones de aire. Revise las instrucciones de este manual para el procedimiento correcto de verificación.
- **NO** coloque una cubierta para asador o cualquier objeto inflamable sobre o dentro del espacio de almacenamiento debajo del asador.
- **NO** permita que los niños utilicen su asador de pellets de madera LG Champion cuando lo deje sin vigilancia. Las partes accesibles del asador pueden estar muy calientes. Cuando use su asador, mantenga alejados a los niños y las mascotas.

**ADVERTENCIA: Este artefacto no está concebido para ser usado por personas (niños incluidos) con capacidades físicas, sensorias o mentales reducidas, o que carezcan de la experiencia y conocimientos necesarios, a menos que reciban supervisión o instrucciones sobre su uso de parte de una persona responsable de su seguridad.**

- **NO** use piedras de lava, trozos de madera, virutas de madera o carbón de leña con su asador de pellets de madera Louisiana Grills.
- **NO** use accesorios distintos a los especificados para el uso con este producto.
- Si la grasa causa un fuego, apague el controlador y mantenga la tapa cerrada hasta que el fuego se apague.
- **NO** desenchufe el cordón de alimentación. **NO** arroje agua al fuego. **NO** trate de extinguir el fuego.
- **DEBE** usar guantes o mitones de parrilla resistentes al calor cuando utilice el asador.

**ADVERTENCIA: NO mueva su asador de pellets de madera LG Champion cuando lo esté utilizando o cuando esté CALIENTE. Asegúrese de que el fuego esté completamente apagado y el asador completamente «frío al tacto».**

- **NO** agrande los orificios de la rejilla de combustión, los agujeros del encendedor o los cestos de combustión.
- **NO** utilice su asador bajo la lluvia o cerca de cualquier fuente de agua.
- **SIEMPRE DEBE** desconectar la alimentación eléctrica antes de dar servicio o mantenimiento.
- Si el asador es almacenado en exteriores durante la temporada de lluvias o de humedad elevada, se deben tomar precauciones para evitar que el agua se infiltre en la tolva de pellets. Los pellets de madera mojados o expuestos a una humedad elevada se expanden considerablemente, se quiebran y pueden bloquear el sistema de alimentación.
- **ELIMINACIÓN DE LAS CENIZAS** — Se debe poner las cenizas en un contenedor de metal con una tapa bien ajustada y el contenedor cerrado debe ser colocado sobre un piso no combustible o sobre la tierra, a una buena distancia de TODOS los materiales combustibles, hasta su eliminación definitiva. Cuando las cenizas sean desechadas enterrándolas en el suelo o diseminadas localmente, deben ser conservadas en el contenedor cerrado hasta que todas las cenizas se hayan enfriado completamente.

**ADVERTENCIA: NO toque ninguna parte de su asador de pellets de madera LG Champion cuando esté CALIENTE. Existe el riesgo de graves lesiones corporales.**

# PELIGROS Y ADVERTENCIAS

**ADVERTENCIA: NO caliente en exceso su asador de pellets de madera LG Champion. Un uso inadecuado puede causar un fuego incontrolable.**

## COMBUSTIBLE – PELLETS DE MADERA

- **DEBE** usar solamente pellets de madera completamente naturales, diseñados para el uso con asadores de pellets. El uso de cualquier otro tipo de combustible con este producto anulará su garantía y certificación de seguridad.
- **NO** utilice combustibles que contengan aditivos.
- **NOTA:** En vista de que Dansons Inc. no puede controlar la calidad de los pellets que usted utilice, no asumimos ninguna responsabilidad respecto a la calidad del combustible empleado.

**CUIDADO: NO utilice alcohol, petróleo, gasolina, líquido de mechero o querosene para encender o reavivar el fuego en su asador.**

## CREOSOTA

- **NO** opere el asador si la llama se vuelve oscura y ennegrecida o si el cesto de combustión desborda de pellets. Apague la unidad, espere a que se enfríe por completo y proceda a examinarla. Hollín o creosota pueden acumularse en el cilindro principal y en cualquier zona de salida de aire o escape si el asador es operado en condiciones inadecuadas (mala posición de la rejilla de combustión, obstrucción del ventilador de combustión, falta de limpieza y mantenimiento del área de combustión, etc.).
- El hollín o la creosota se forman cuando se queman los pellets sin la cantidad adecuada de aire o cuando la combustión es incompleta, lo que genera una sustancia similar al alquitrán y otros vapores orgánicos que se combinan con la humedad expulsada. El humo será de color negro y los residuos que dejará en las superficies también serán negros.
- Al encenderse, esta creosota genera un fuego extremadamente caliente y fuera de control, parecido al fuego causado por la grasa.
- Si se forma creosota en el asador, permita que éste se caliente a BAJA temperatura, APÁGUELA y límpiela después con una toalla de mano. La creosota es similar al alquitrán; cuando se calienta se vuelve como líquido y es mucho más fácil de limpiar.

**ADVERTENCIA: SI OCURRE UN FUEGO INCONTROLABLE: LLAME AL DEPARTAMENTO DE BOMBEROS. NO trate de mover el asador. NO trate de sofocar el fuego. NO lance agua al fuego.**

## MONÓXIDO DE CARBONO: «El asesino silencioso»

SIGA ESTAS INSTRUCCIONES PARA EVITAR QUE ESTE GAS INCOLORO E INODORO INTOXIQUE A USTED, SU FAMILIA U OTRAS PERSONAS:

- Conozca los síntomas de la intoxicación por monóxido de carbono: dolor de cabeza, mareo, debilidad, náusea, vómito, somnolencia y confusión. El monóxido de carbono reduce la capacidad de la sangre de transportar el oxígeno. Un nivel bajo de oxígeno en la sangre puede causar la pérdida del conocimiento y la muerte.
- Consulte con un doctor si usted u otras personas sufren de síntomas similares a los de un resfriado o gripe cuando cocine o se encuentre cerca del asador. La intoxicación por monóxido de carbono, que puede ser confundida fácilmente con un resfriado o gripe, es detectada a menudo demasiado tarde.
- El consumo de bebidas alcohólicas y drogas incrementa los efectos de la intoxicación por monóxido de carbono.
- El monóxido de carbono es particularmente tóxico para la madre y el feto durante el embarazo, los bebés, los ancianos, los fumadores y las personas con trastornos del sistema sanguíneo o circulatorio, como la anemia o enfermedades cardíacas.

**ADVERTENCIA: Para evitar que los dedos, la ropa u otros objetos entren en contacto con el tornillo sin fin, su asador cuenta con una malla metálica al interior de la tolva. Esta malla NO DEBE ser retirada salvo indicación contraria del servicio al cliente de Dansons o del personal de servicio autorizado.**



Estimado propietario del asador de pellets de madera «Champion»:

### **Gracias por su compra de un asador de pellets de madera «Louisiana Grills Champion».**

Su asador de pellets de madera Louisiana le sacará de su moderna cocina para hacerle regresar a la época del hombre de las cavernas, cuando cocinar al aire libre con leña era una necesidad, haciéndole disfrutar nuevamente del sabor y aroma de la madera.

Considere su asador «Champion» como una estufa adicional para hornear, asar, asar a la plancha, marcar, ahumar o asar con leña los alimentos. Usted puede preparar en su asador todo lo que puede hacer en su cocina interior.

Asar a la parrilla es una cultura por cuenta propia. Las parrilladas proporcionan un entretenimiento distendido e informal. Sus alimentos pueden ser cocidos completamente al aire libre y el cocinero se queda con los invitados. No se complique la vida, sea creativo y diviértase.

Deseamos aprovechar esta oportunidad para darle algunos **consejos importantes** respecto a su asador con pellets de madera.

- **La instalación inicial de su asador Louisiana Grills constituye la etapa más importante** para garantizar su eficacia y buen funcionamiento durante muchos años.
- **Cumpla con diligencia con su programa de limpieza y mantenimiento.** Un buen mantenimiento prolonga la vida útil de su asador y conserva su magnífico aspecto.
- Use solamente pellets de madera completamente naturales diseñados para el uso en asadores de pellets.
- Asegúrese de que el combustible de pellets se mantenga libre de humedad. Almacene las bolsas de combustible en un contenedor hermético y vacíe la tolva si no piensa usar el asador durante un largo periodo.

Nuestro personal, apreciados clientes, amigos y nuestras queridas familias contribuyeron con sus recetas a la realización de nuestro libro de cocina. Hemos tratado de incluir una gran variedad de cocinas y estilos, empezando con las fantásticas recetas caseras de mamá y muchas experiencias culinarias originales, además de recetas clásicas y otras que pronto se convertirán en clásicas.

### **¡DESEAMOS SABER DE USTED!**

Si está interesado en proporcionar una receta familiar o que haya ganado una competición, o cualquier otra receta (sobre todo si tiene tocino), ¡compártala con nosotros!

Fax: 1-877-303-3135; sitio web: [www.louisiana-grills.com](http://www.louisiana-grills.com); correo electrónico: [sales@dansons.com](mailto:sales@dansons.com); correo postal: a la dirección más abajo.

Ahora adelante, llene la tolva, encienda el asador y prepárese a disfrutar de una

### **¡«parrillada de clase mundial en su propio patio»!**

Nuevamente, MUCHAS GRACIAS por su compra.

*El Personal y la Dirección  
Dansons Inc.*

### **AVISO DE COPYRIGHT**

Copyright 2017. Todos los derechos reservados.

Ninguna parte de este manual puede ser copiada, transmitida, transcrita o almacenada en un sistema de recuperación de archivos, de ninguna forma ni por ningún medio sin la autorización explícita y escrita de



**Dansons Inc.**  
**14608 - 134 Ave., Edmonton, AB, Canada T5L 4T4**  
**1-877-303-3134**

# ÍNDICE

Peligros y advertencias .....	74	Operación	
Instrucciones de montaje		Introducción .....	93
Especificaciones .....	78	Procedimiento de instalación inicial .....	96
Despiece de las piezas .....	79	Encendido – automático/manual .....	96
Prueba de seguridad .....	80	Apagado del ahumador .....	96
Ruedas, tope de tapa .....	80	Mantenimiento .....	97
Tolva Champion .....	81	Consejos y técnicas para asar en la parrilla .....	100
Encendedor .....	83	Resolución de problemas .....	102
Rejilla de combustión, asador a la llama .....	83	Lista de piezas .....	106
Handle, Adjustable Chimney .....	84	Garantía limitada .....	107
Panel de calentamiento, deflector .....	85		
Manijas y pestillos .....	85		
Cámara superior, estante lateral .....	86		
Bandeja para grasa, reguladores de aire, parrillas .....	87		
Repisas de soporte, rejilla de horno .....	88		
Vaporera .....	88		
Fuente de alimentación .....	89		
Conocer es poder			
Tres zonas de cocción .....	89		
Centro de control digital G2 .....	91		
Sonda para carne programable .....	92		



# SU NUEVO ASADOR DE PELLETS DE MADERA LG CHAMPION

**Tolva** con una gran capacidad de 12,3 kg (27 pu). Tapa fácil de levantar, con bordes redondeados.

Comprobado sistema de alimentación por tornillo sin fin de metal.

Parrillas de cocción de hierro fundido recubiertas de cerámica (superficie principal).

Tres parrillas superiores extraíbles de acero recubiertas de cerámica.

Combustión, enfriamiento y cocción por convección forzada por ventilador.

**Centro de control digital PID con sonda para carne programable.**

Opciones de cocción a un rango de temperatura de horno de 82 °C a 315 °C (180 °F a 600 °F); del ahumado en caliente al marcado.

Encendedor eléctrico que elimina la necesidad de fósforos y líquidos de encendido.

Chimenea controlada por regulador de aire.



Controlador de escape trasero doble.

Ahumador en frío / cámara de calentamiento con dos rejillas.

Estante lateral resistente con portaherramientas y barra colgadora.

Ahumador en caliente / cámara de horno con cuatro rejillas.

Bandejas para grasa extraíbles

Estructura con diseño de alta resistencia.

Puertas y caja de la cámara.

Dos ruedas con bloqueo.  
Dos ruedas.

## ACCESORIOS DISPONIBLES

### Cubierta personalizada

Lona de poliéster serigrafiada ultrarresistente de 600 deniers, con doble costura, interior de poliuretano y correa de retención.

### Estante delantero de lujo

30,5 cm P x 60,96 cm A (12 pu P x 24 pu A)  
Acoplable y abatible.  
Acabado en acero inoxidable.  
Agujero de montaje de 36,83 cm (14 ½ pu).

### Extensión de tolva

Con tapa y fácil de añadir.  
Añade 9 kg (20 lb) extras.

### Rejillas de horno extraíbles adicionales

Paquete de 5 – 3898,9 cm (1535 pu) adicionales

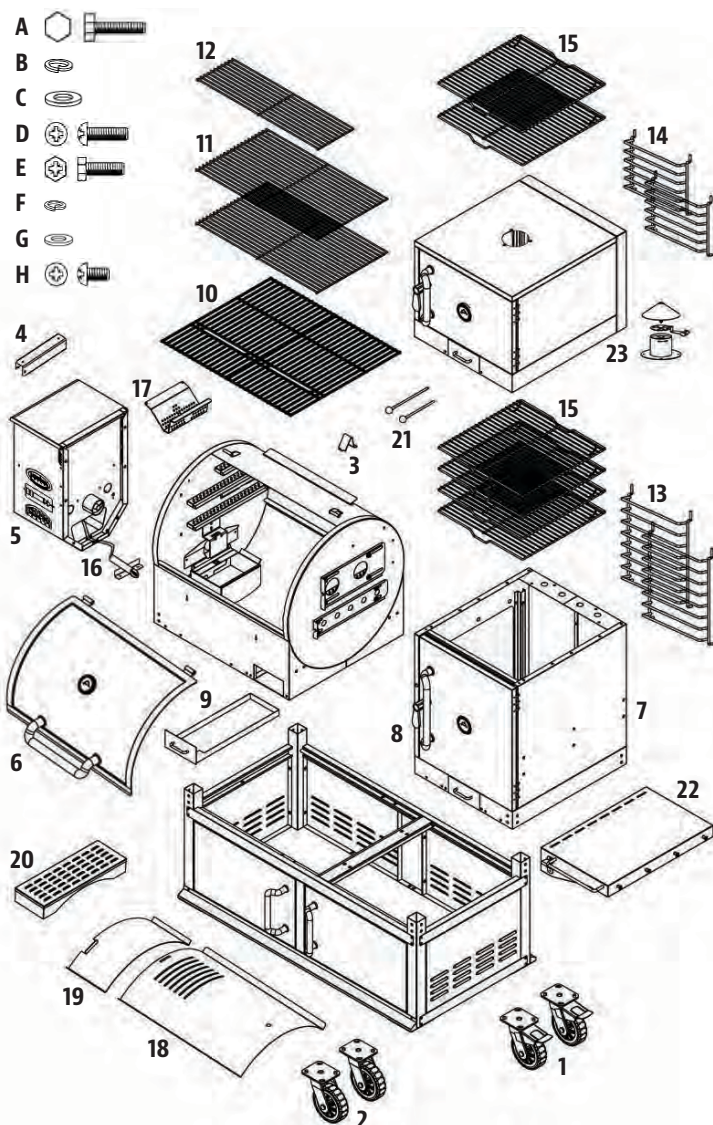
# DESEMPACADO DE SU LG CHAMPION

Al abrir su ahumador/asador, verifique que hay todas las siguientes piezas:

Pieza	Cant.	Artículos encontrados en la caja
1	2	Ruedas giratorias con bloqueo de 12,7 cm (5 pu)
2	2	Ruedas no giratorias de 12,7 cm (5 pu)
3	1	Tope de tapa principal
4	1	Mango lateral de tolva
5	1	Conjunto de tolva
6	1	Mango de cubierta principal con tornillos
	2	- Marcos
7	2	Mango de caja de ahumado con tornillos
	4	- Marcos
8	2	Mango de cámara principal con tornillos
	4	- Marcos
9	3	Mango de bandeja para grasa con tornillos
	3	- Placas frontales de bandeja para grasa
10	2	Parrillas de cocción principales de hierro fundido recubiertas en porcelana
11	2	Parrillas superiores de acero recubiertas de porcelana
12	1	Parrilla superior de acero recubierta de porcelana
13	2	Soporte de rejilla intermedia de horno
14	2	Soporte de rejilla superior de horno
15	6	Rejillas de horno extraíbles
16	1	Encendedor - Cartucho del encendedor
	1	- Tubo de encendido
17	1	Rejilla de combustión
18	1	Asador a la llama - Módulo principal
19	1	- Parte superior deslizante
20	1	Vaporera - Módulo principal
	1	- Tapa
21	2	Varillas deslizantes con perillas
22	1	Estante lateral
	1	- Destapador
	1	- Barra para toalla de 25,4 cm (10 pu)
	4	- Portaherramientas
23	1	Cámara superior
	1	- Chimenea
	1	- Protector térmico trasero

23	1	- Panneau thermique arrière
A	16	Pernos - Ruedas
B	16	Arandelas de resorte - Ruedas
C	16	Arandelas - Ruedas
D	28	Tornillos Phillips
E	6	Tornillos con múltiples cabezas - Tolva
F	34	Arandelas de resorte
G	34	Arandelas
H	2	Tornillos de metal Phillips - Encendedor

\*\* Producto sujeto a cambios sin previo aviso.



# PRUEBA DE SEGURIDAD

De conformidad con los procedimientos y especificaciones enumerados en UL 2728-2009 «PELLET FUEL COOKING APPLIANCES» (ARTEFACTOS DE COCINA DE COMBUSTIBLE DE PELLETS) Y LOS ESTÁNDARES CANADIENSES ULC/ORD C2728 Y CSA C22.2 #3 «FOR ELECTRICAL FEATURES OF FUEL BURNING EQUIPMENT» (PARA CARACTERÍSTICAS ELÉCTRICAS DE EQUIPOS DE COMBUSTIÓN), el artefacto de cocción con pellets Champion ha sido probado y homologado independientemente por INTERTEK (un laboratorio de pruebas certificado) bajo los estándares ETL, UL, ULC y CSA.

Este producto ha sido examinado y cumple con los requisitos de seguridad, salud y protección medioambiental del EEE (Espacio Económico Europeo).

Este producto ha sido examinado y cumple con los requisitos impuestos o cubiertos por las normas regulatorias de Australia y Nueva Zelanda, lo que es indicado por la marca y número RCM.

NOTA: Sírvase leer cuidadosamente la etiqueta que se encuentra en la tapa interior de la tolva. Ella contiene información importante acerca de la instalación y operación de su artefacto de cocción con pellets.



Intertek



# HERRAMIENTAS NECESARIAS

## AVISO IMPORTANTE

- Inspeccione el asador por completo después de haber retirado la caja de envío.
- Informe de inmediato a su concesionario local acerca de cualquier daño.
- Los daños causados durante el envío no son cubiertos por la garantía.

Destornillador Phillips, llave y nivel

# INSTRUCCIONES DE MONTAJE

## 1 INSTALACIÓN DE LAS RUEDAS

### Piezas necesarias:

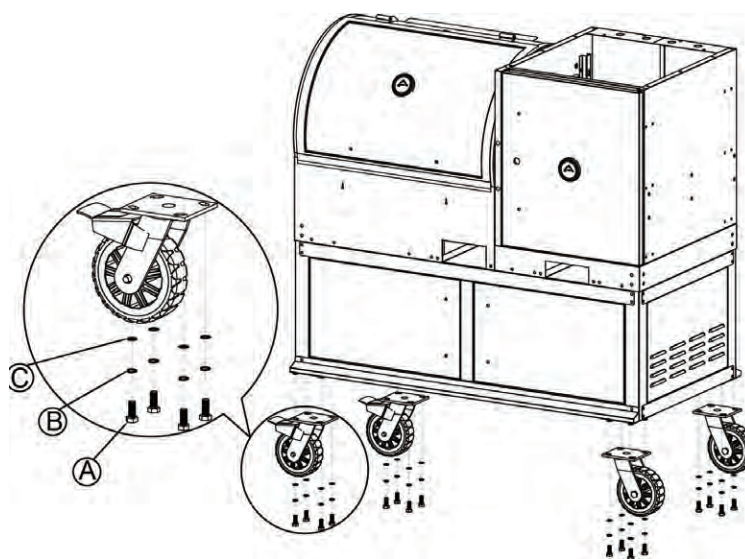
- 1 x Cámara principal
- 2 x Ruedas giratorias con bloqueo de 12,7 cm (5pu)
- 2 x Ruedas de 12,7 cm (5pu)
- 16 x Pernos (A)
- 16 x Arandelas (B)
- 16 x Arandelas de resorte (C)

### ¡ADVERTENCIA!

Debido al tamaño y peso de la cámara de cocción superior, la siguiente etapa de instalación debe ser efectuada por dos (2) personas.

### NOTA:

Los daños causados por el incumplimiento de esta advertencia o una instalación incorrecta NO son cubiertos por la garantía.





## Instalación:

La parte inferior de la cámara principal tiene placas roscadas para permitir la instalación de dos (2) ruedas con bloqueo y dos (2) ruedas sin bloqueo de alta resistencia.

- Para facilitar la instalación, ponga en el piso una cubierta de protección suave e incline con cuidado la cámara principal colocando el extremo sin tolva sobre la cubierta.
- Instale las dos (2) ruedas giratorias con bloqueo en el extremo con la tolva de la cámara. Coloque una arandela (B) y una arandela de resorte (C) sobre cada perno y apriete manualmente cada uno de los pernos.

**NOTA: Es mejor apretar a mano cada perno enroscado para asegurarse de que los pernos NO se dañen y que sean rectos.**

- Instale las dos (2) ruedas no giratorias en el lado de la caja de ahumado.
- Usando la herramienta adecuada, asegúrese de que TODOS los pernos están apretados firmemente.
- Solo o con la ayuda de otra persona, levante con cuidado la unidad para ponerla de pie sobre las ruedas recién instaladas.

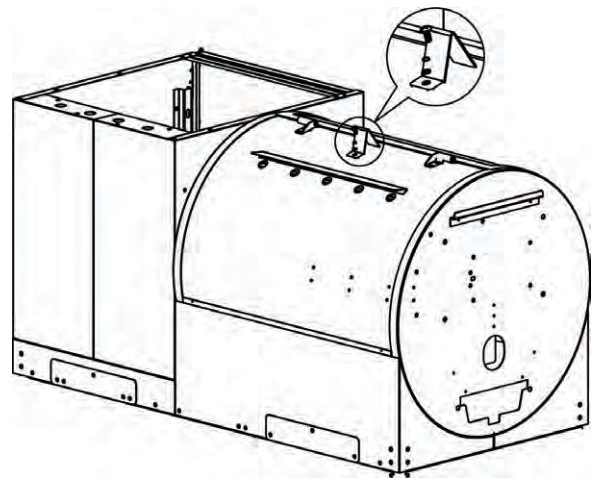
## 2 INSTALACIÓN DEL TOPE DE TAPA PRINCIPAL

### Piezas necesarias:

- 1 x Tope de tapa principal

### Instalación:

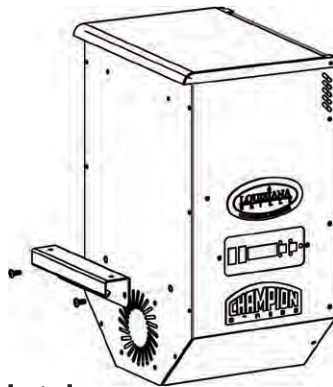
- Usando un destornillador Phillips, retire el tornillo, la arandela y la arandela de resorte instalados en la parte superior del cilindro principal.
- Inserte el tope de tapa principal en la ranura del cilindro.
- Alinee los agujeros para los tornillos y reinserte el tornillo Phillips, la arandela y la arandela de resorte a través del tope y dentro del cilindro.



## 3 INSTALACIÓN DE LA TOLVA

### Piezas necesarias:

- 1 x Conjunto de tolva
- 1 x Mango de la tolva
- 2 x Tornillos Phillips (D)
- 6 x Tornillos de múltiples cabezas (E)
- 8 x Arandelas de resorte (F)
- 8 x Arandelas (G)

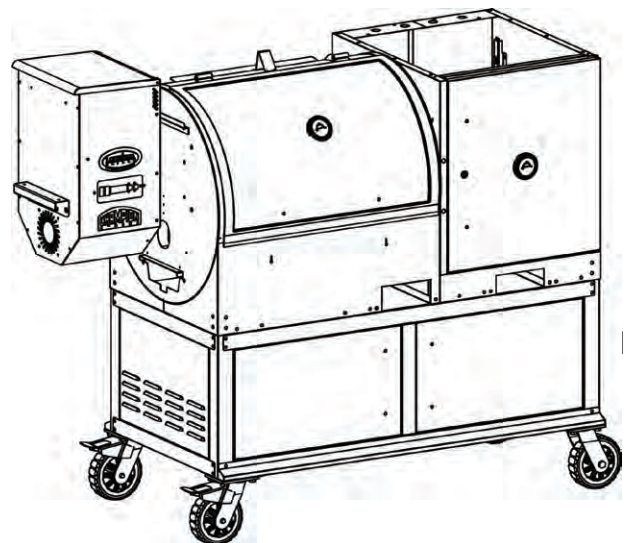


### Instalación:

#### Paso 1 – Instalación del mango de la tolva:

El mango de la tolva es multiusos y es usado no solamente para mover la unidad, sino también para envolver el cordón de alimentación y almacenamiento.

El mango de la tolva tiene asimismo dos agujeros más pequeños que sirven para sostener temporalmente la sonda para carne.



- Usando dos (2) tornillos Phillips (D), dos (2) arandelas (G) y dos (2) arandelas de resorte (F), fije el mango al panel de acceso de la tolva, ubicado justo arriba de la entrada de ventilación, a través de los dos (2) agujeros más grandes.
- Al inicio, enrosque manualmente los tornillos y continúe después con el destornillador Phillips para asegurarlos.

**Paso 2 – Preparándose para instalar la tolva:**

Coloque seis (6) tornillos de múltiples cabezas (E), las arandelas (G) y arandelas de resorte (F) en la cavidad del cilindro principal para facilitar la instalación de la tolva.

**Paso 3 – Conexión de los cables de la sonda del asador:**

Su asador/ahumador viene con el centro de control digital que incluye la sonda de asador y la sonda para carne programable. La sonda de asador viene instalada de fábrica en la cámara y el exceso de cable y conexiones salen por el extremo izquierdo. Tenga cuidado de no retorcer o dañar los cables.

Las conexiones de cables con el panel de control se encuentran dentro de la tolva o pegadas en el exterior de la misma. **Diagrama C**

Para conectar las horquillas, levante cuidadosamente toda la tolva hacia el lado izquierdo de la cámara de cocción superior.

**IMPORTANTE: Verifique que los cables de la sonda pasan a través del gran agujero de la tolva como se muestra en el diagrama C.**

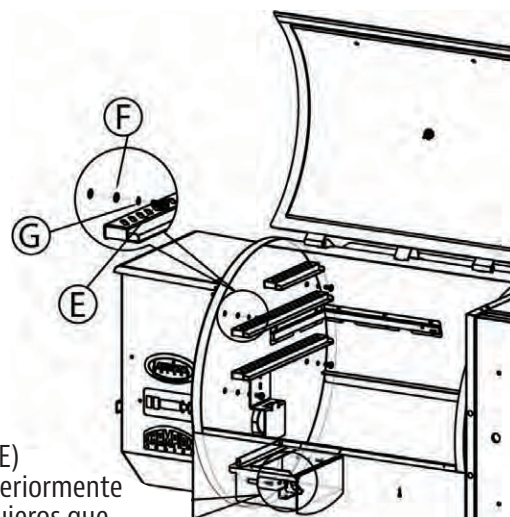
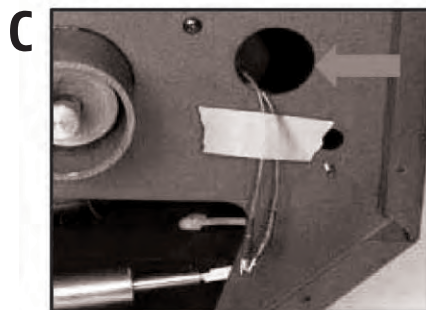
Para empezar, coloque la parte inferior de la tolva en la saliente del cesto de combustión que sobresalga del cilindro. Apoye la tolva sobre sus piernas para conectar las horquillas. **Diagrama D**

Después de conectar firmemente las horquillas, enrosque nuevamente y con cuidado TODOS los cables y conexiones sobrantes en la tolva. Los cables no deben entrar en contacto con las aspas del ventilador ni con el tubo del tornillo sin fin de metal.

**IMPORTANTE: Todos los cables y conexiones sobrantes deben ser colocados nuevamente en la tolva. Asegúrese de que NO entren en contacto con el ventilador.**

**Paso 4 – Acoplado la tolva al cilindro:**

- Retire con cuidado la tolva, con los cables de la sonda de asador, del borde del cesto de combustión.
- Para empezar, inserte ligeramente el tubo de alimentación del tornillo sin fin dentro del agujero del tornillo sin fin y levante la tolva. El soporte de montaje que se encuentra en la parte trasera de la tolva debe estar ligeramente más elevado que el soporte de recepción en el cilindro.
- Empuje la parte superior de la tolva firmemente contra el cilindro principal, insertando el tubo del tornillo sin fin completamente en el cilindro. Sujetando la tolva suficientemente nivelada, apriete hacia abajo para encajar la tolva en el soporte de montaje.
- Sujetando la tolva en su lugar, use uno (1) de los tornillos de múltiples cabezas (E) junto con una arandela de resorte (F) y una arandela (G) que había colocado anteriormente en la cavidad, y empiece a enroscarlo manualmente en uno (1) de los seis (6) agujeros que se encuentran en la cavidad del cilindro principal.



**NOTA: Si los agujeros no están alineados, es posible que la tolva no haya sido suficientemente empujada hacia abajo.**



Ahora, con la tolva parcialmente fijada, enrosque manualmente los cinco (5) conjuntos de tornillos y arandelas restantes. Al terminar, apriételes firmemente usando la herramienta adecuada.

**NOTA: El tener mucho cuidado de no dañar las cabezas de los tornillos le facilitará las cosas en el futuro.**

#### 4 INSTALACIÓN DEL ENCEDEDOR

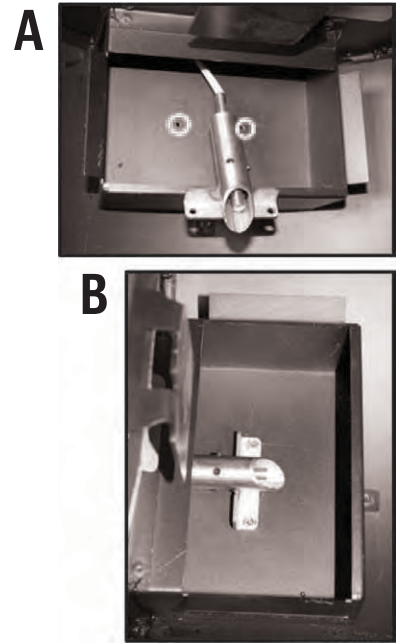
**Piezas necesarias:**

- 2 x Tornillos de metal Phillips (H)
- 1 x Encendedor (en la tolva)

**Instalación:**

El encendedor viene de fábrica conectado al mazo de cables y se encuentra en la caja eléctrica de la tolva.

- Pasando a través del cesto de combustión tire con cuidado del encendedor hacia el área del cesto de combustión. **Diagrama A**
- Alinee los dos agujeros del soporte del encendedor por encima de los dos agujeros del fondo del cesto de combustión. **Diagramas A y B**
- Usando un destornillador Phillips y los dos (2) tornillos de metal Phillips (H), fije el encendedor en el cesto de combustión. **Diagrama A y B**



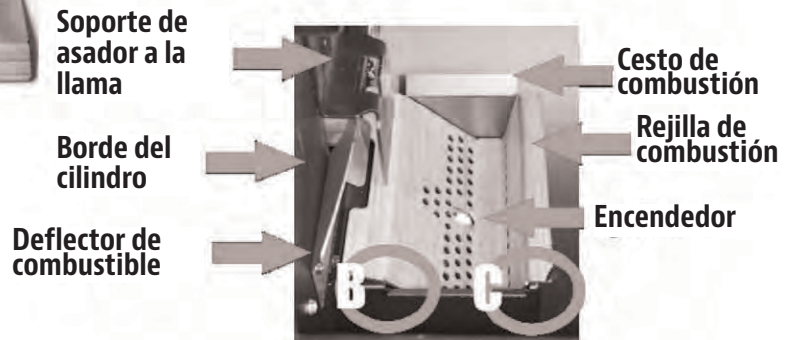
#### 5 INSTALACIÓN DE LA REJILLA DE COMBUSTIÓN

**Piezas necesarias:**

- 1 x Rejilla de combustión

**Instalación:**

- El borde más largo y dentado de la rejilla se instala debajo del deflector de combustible de pellets.
- La curva de este borde debe apoyarse firmemente en la parte trasera del cesto de combustión (B).
- El borde frontal de la rejilla debe estar a la misma altura que la parte superior del cesto de combustión (C).



**IMPORTANTE: La buena ubicación y el mantenimiento de la rejilla de combustión son primordiales para garantizar una satisfactoria y variada experiencia culinaria.**

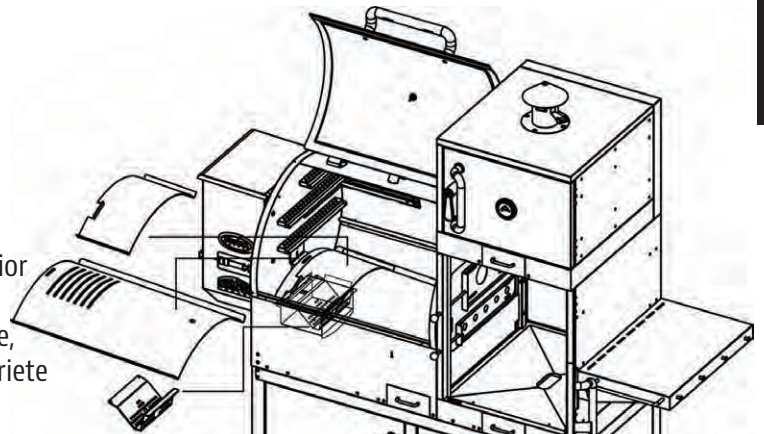
#### 6 INSTALACIÓN DEL ASADOR A LA LLAMA ARQUEADO

**Piezas necesarias:**

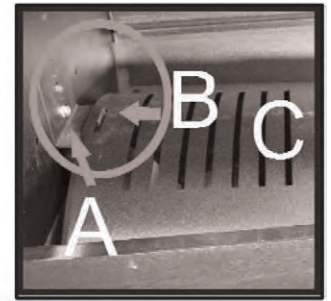
- 1 x Base del asador a la llama
- 1 x Parte superior deslizante del asador a la llama

**Instalación:**

- Para garantizar la altura y el ángulo correctos, la placa inferior del soporte de montaje (A) no debe encontrarse dentro del área de descarga de los pellets. Si necesita ajustar el soporte, afloje los tres (3) tornillos Phillips, levante el soporte y reapriete los tornillos.

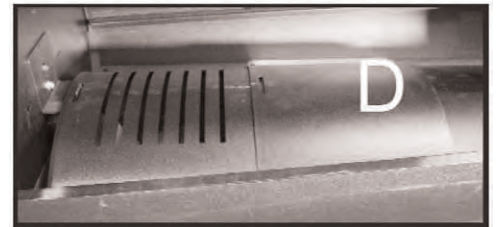


- Tome la base del asador a la llama arqueado y sosténgala de manera que el lado seccionado y con ranuras se encuentre en su mano izquierda. La placa puede ahora ser fácilmente encajada sobre el soporte de montaje ajustable (B).
- Tome la parte superior deslizante del asador a la llama arqueado (D) y colóquelo por encima de la base (C). Esta placa debe deslizarse sobre la apertura del asador a la llama y requiere un ajuste muy ceñido.



**ABIERTO** para el marcado a fuego directo / asado a la plancha, llamaradas controladas. Recuerde que esto afecta el flujo de convección.

**CERRADO** para la cocción por convección indirecta. Usado en esta posición la mayor parte del tiempo.



**IMPORTANTE: Cuando son nuevas, tanto la parte principal del asador a la llama como la parte superior deslizante tienen un recubrimiento de aceite de uso alimenticio. Este recubrimiento desaparecerá durante el encendido inicial.**

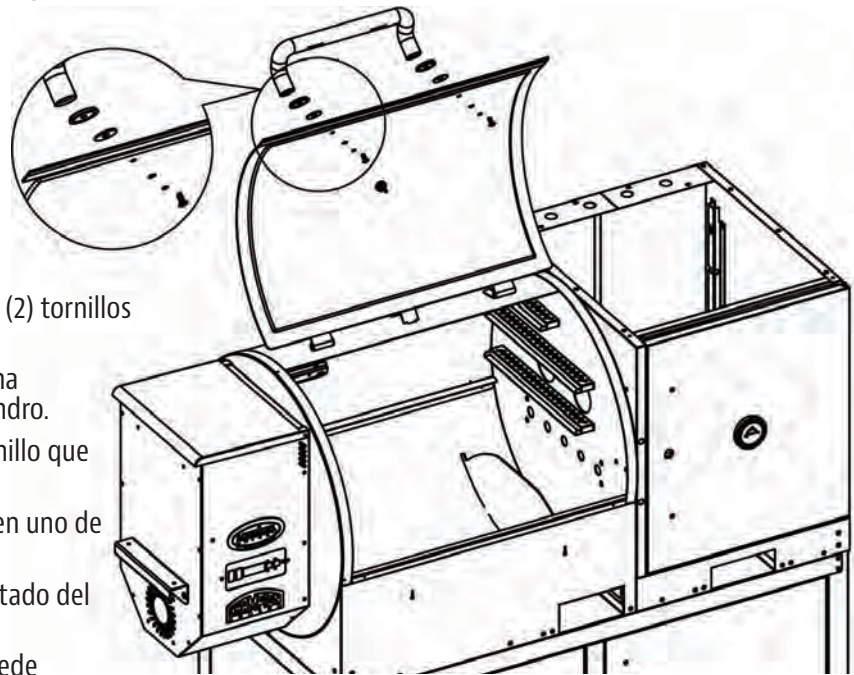
## 7 INSTALACIÓN DEL MANGO DE LA TAPA PRINCIPAL

### Piezas necesarias:

- 1 x Mango de acero inoxidable
- 2 x Tornillos Phillips
- 2 x Marcos – Arandelas decorativas
- 2 x Arandelas de cartón

### Instalación:

- Usando un destornillador Phillips, retire los dos (2) tornillos del mango principal.
- Inserte un tornillo, una arandela de resorte y una arandela a través del agujero en la tapa del cilindro.
- Instale el marco metálico en el extremo del tornillo que sobresale del cilindro.
- Enrosque y apriete manualmente este tornillo en uno de los costados del mango de acero inoxidable.
- Repita este procedimiento para fijar el otro costado del mango a la tapa del cilindro.
- Apriete ambos tornillos hasta que el mango quede firmemente ajustado.



**¡CUIDADO! ¡NO APRETAR DEMASIADO!**  
Sólo es necesario un ajuste ceñido.

## 8 INSTALACIÓN DE LA CHIMENEA AJUSTABLE DE LA CÁMARA SUPERIOR

### Piezas necesarias:

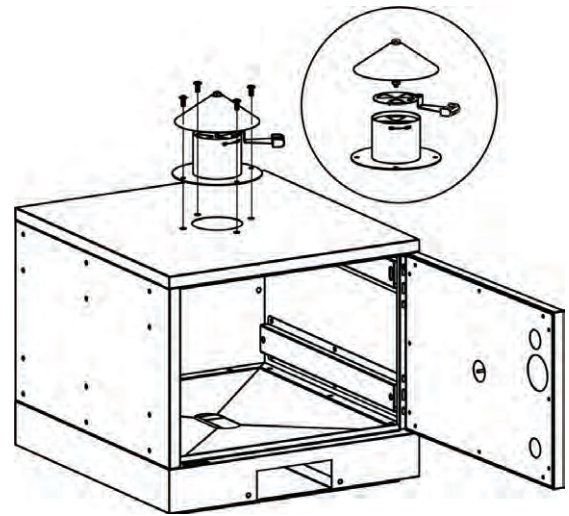
- 1 x Cámara superior
- 4 x Tornillos Phillips (D), arandelas de resorte (F), arandelas (G)
- 1 x Empaquetadura
- 1 x Chimenea ajustable
  - Base
  - Regulador de aire ajustable
  - Caperuza de chimenea



## Instalación:

Coloque la cámara superior sobre una mesa o espacio de trabajo sólido para facilitar la instalación.

- Enrosque la caperuza de chimenea a través del regulador de aire ajustable y en la base de la chimenea.
- Deje una distancia mínima de 25 mm (1 pu) entre la tapa superior y la base de la chimenea.
- Compruebe que el regulador de aire ajustable funcione libre de obstáculos.
- Alinee la empaquetadura de fieltro con los agujeros ubicados sobre la cámara superior.
- Coloque la chimenea ensamblada sobre la empaquetadura.
- Usando un destornillador Phillips, instale los cuatro (4) tornillos Phillips, las arandelas de resorte y las arandelas, para fijar firmemente la chimenea en la cámara superior.



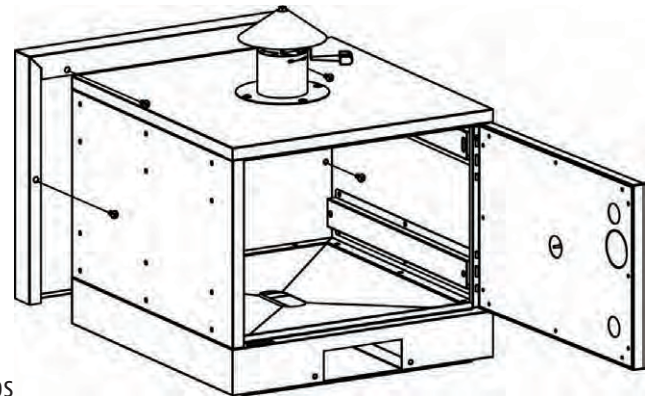
## 9 INSTALACIÓN DEL PANEL TÉRMICO TRASERO

### Piezas necesarias:

- 1 x Cámara superior
- 1 x Panel térmico trasero
- 4 x Tornillos Phillips (D)
- 4 x Arandelas de resorte (F)
- 4 x Arandelas (G)

### Instalación:

Use un destornillador Phillips para instalar los cuatro (4) tornillos Phillips, las arandelas de resorte y las arandelas en la parte interior de la cámara superior y fijar el protector térmico trasero en la cámara.



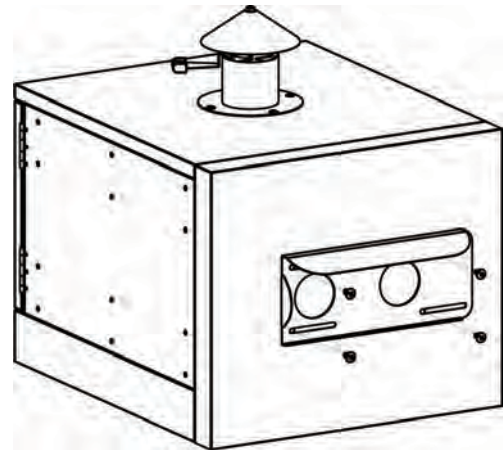
## 10 INSTALACIÓN DEL CONTROLADOR DE ESCAPE TRASERO

### Piezas necesarias:

- 1 x Cámara superior
- 1 x Panel de control de escape trasero

### Instalación:

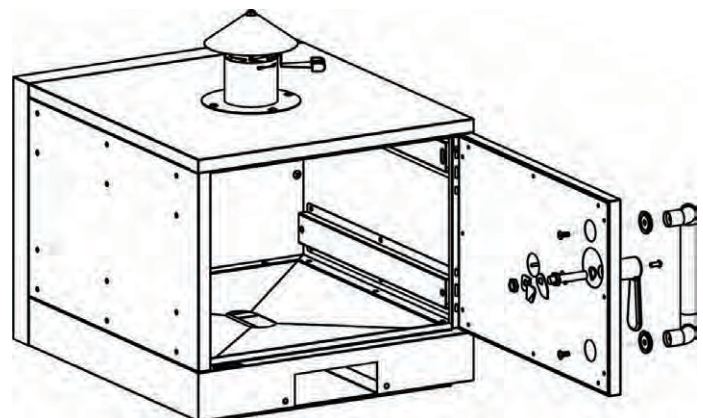
- Retire los cuatro (4) tornillos preinstalados en la parte trasera de la cámara superior.
- Alinee los cuatro (4) agujeros del panel de control de escape trasero con los cuatro (4) agujeros de la cámara superior, enrosque manualmente los tornillos y apriételos después usando un destornillador.



## 11 INSTALACIÓN DE LAS MANIJAS Y PESTILLOS DE LA PUERTA

### Piezas necesarias para cada puerta de la cámara:

- 4 x Manijas de acero inoxidable con 2 x Tornillos Phillips cada una
- 8 x Marcos – Arandelas decorativas
- 2 x Puertas de cierre por torsión



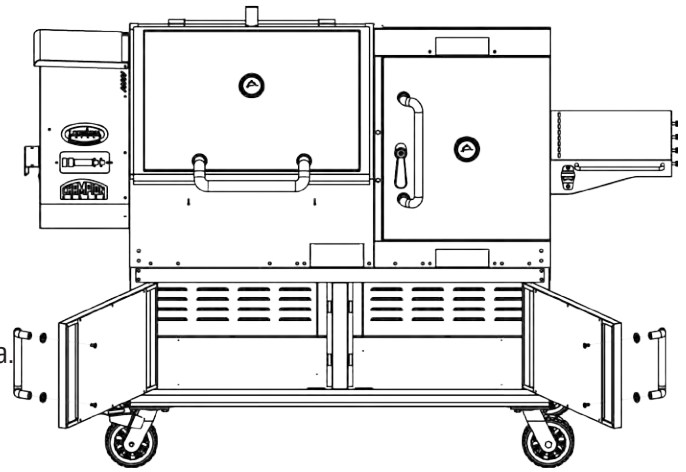
## Instalación:

### Manijas de puerta

- Retire los dos (2) tornillos de cada manija.
- Inserte el tornillo Phillips por detrás de cada una de las cuatro (4) puertas de la cámara, deslice el marco sobre el tornillo y alinee la manija fijándola en su lugar.

### Manijas de cierre por torsión

- Retire los materiales del conjunto de bloqueo de la puerta.
- Inserte la manija en la parte delantera de cada puerta de la cámara.
- Vuelva a fijar el material de montaje desde el interior de las puertas de la cámara.



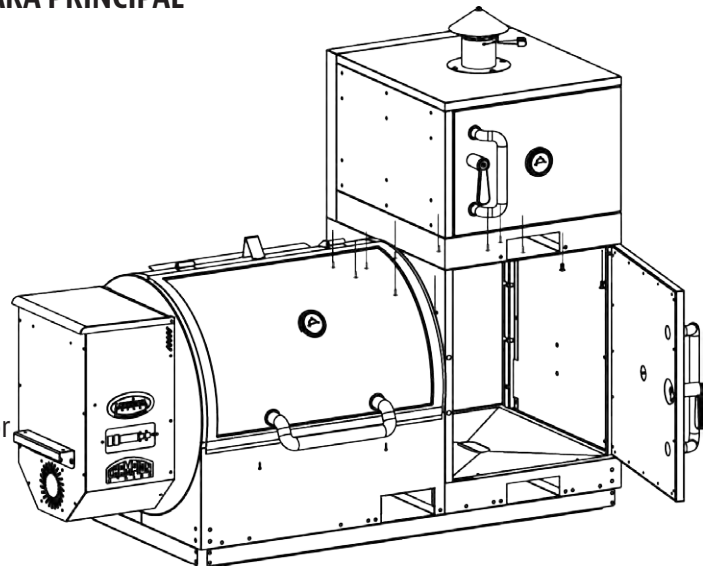
## 12 INSTALACIÓN DE LA CÁMARA SUPERIOR EN LA CÁMARA PRINCIPAL

### Piezas necesarias:

- 1 x Cámara superior
- 1 x Panel térmico trasero
- 12 x Tornillos Phillips (D)
- 12 x Arandelas de resorte (F)
- 12 x Arandelas (G)

### Instalación:

- Levante con cuidado la cámara superior de la superficie de trabajo y colóquela encima de la cámara principal.
- Desde el interior de la cámara principal, use un destornillador Phillips para instalar los doce (12) tornillos, las arandelas de resorte y las arandelas.
  - Hay un tornillo para cada una de las cuatro (4) esquinas y dos (2) tornillos para cada uno de los cuatro lados.



## 13 INSTALACIÓN DEL ESTANTE LATERAL

### Piezas necesarias:

- 1 x Estante lateral – Barra colgadora cromada de 25,4 cm (10") de largo con tornillos
- 4 x Estantes laterales – Barra colgadora con tuercas
- 1 x Parte superior del estante lateral
- 1 x Destapador
- 6 x Tornillos Phillips (D)
- 6 x Arandelas de resorte (F)
- 6 x Arandelas (G)

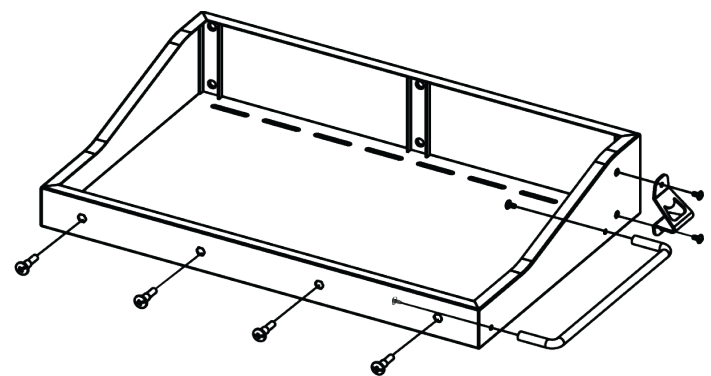
### Instalación:

#### Paso 1 – Portaherramientas

- Retire las tuercas de los cuatro (4) portaherramientas.
- Inserte los portaherramientas en cada uno de los cuatro (4) agujeros de la parte superior del estante lateral.
- Ajuste manualmente cada tuerca para después apretarlas firmemente usando una llave.

#### Paso 2 – Barra colgadora cromada

- Retire los dos tornillos (2) de la barra colgadora.



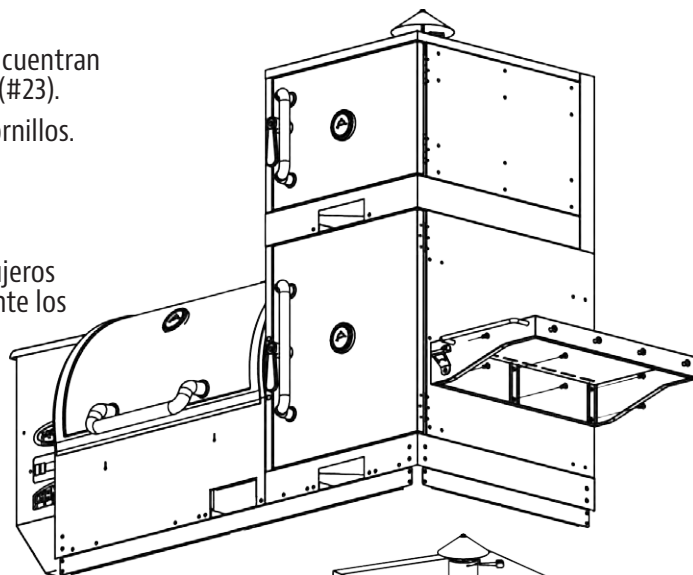
- Inserte los tornillos a través de los dos (2) agujeros que se encuentran en la parte delantera de la parte superior del estante lateral (#23).
- Use un destornillador Phillips para apretar firmemente los tornillos.

### Paso 3 – Destapador

- Retire los dos (2) tornillos preinstalados en el estante.
- Alinee los dos (2) agujeros del destapador con los dos (2) agujeros de la parte superior del estante lateral, enrosque manualmente los tornillos y apriételes después usando un destornillador.

### Paso 4 – Estante lateral en la cámara

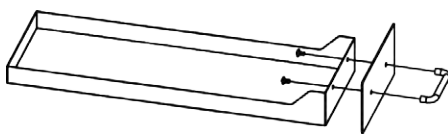
- Para empezar, enrosque a mano los seis (6) tornillos, las arandelas de resorte y las arandelas y apriételes después firmemente usando un destornillador Phillips.



## 14 INSTALACIÓN DE LAS BANDEJAS PARA GRASA

### Piezas necesarias:

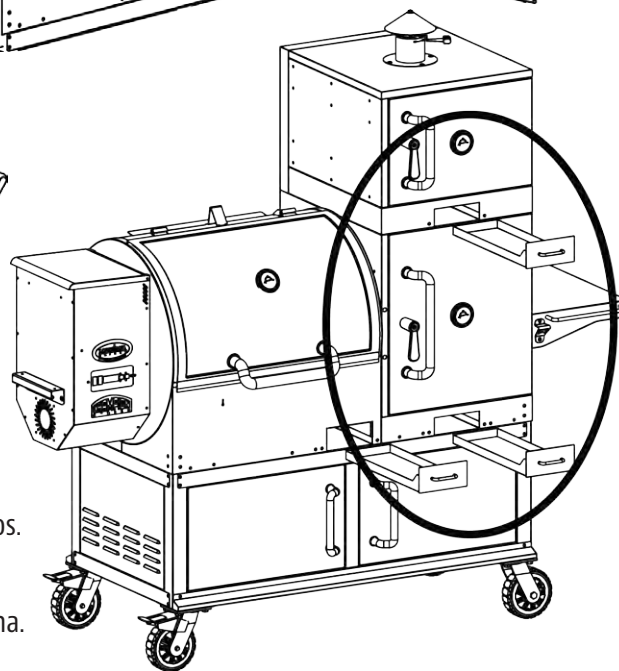
- 3 x Bandejas para grasa
- 3 x Placas frontales
- 3 x Mangos con tornillos



### Instalación:

- Retire los dos (2) tornillos de cada uno de los mangos.
- Pase los tornillos a través de los dos (2) agujeros de la parte delantera de las bandejas para grasa.
- Coloque una (1) de las placas frontales sobre los dos tornillos, alineando los tornillos con el mango.
- Use un destornillador Phillips para apretar firmemente los tornillos.

**CONSEJO:** Para facilitar la limpieza y el mantenimiento, cubra las bandejas para grasa usando papel de aluminio o una fina capa de arena.



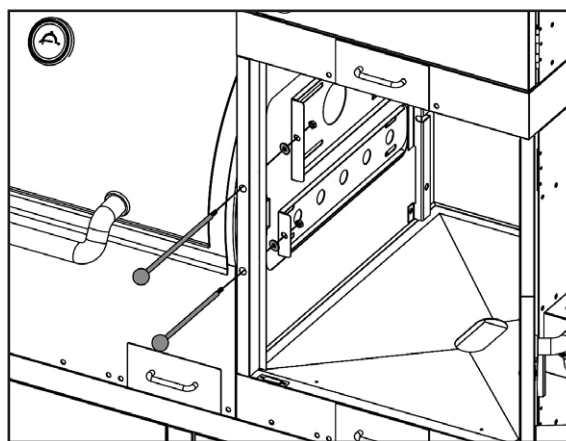
## 15 INSTALACIÓN DEL REGULADOR DE AIRE DESLIZANTE

### Piezas necesarias:

- 2 x Varillas con perillas enroscables para regulador de aire

### Instalación:

- Deslice cada una de las varillas a través del panel frontal de la caja de ahumado.
- Inserte los extremos roscados dentro de los dos reguladores de aire que se encuentran dentro de la caja de ahumado.
- Gírelos de izquierda a derecha hasta apretarlos firmemente.





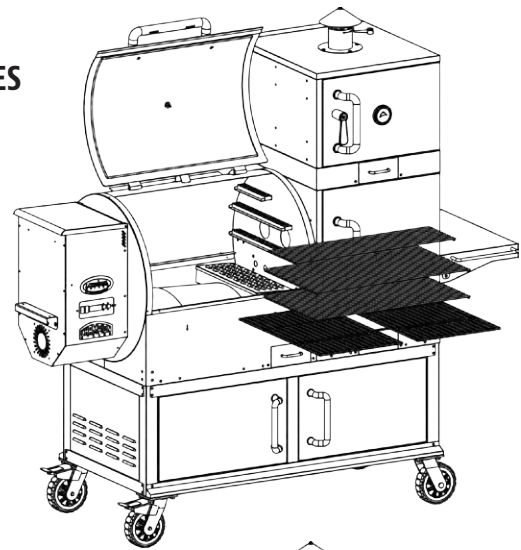
## 16 INSTALACIÓN DE LAS SUPERFICIES DE COCCIÓN PRINCIPALES

### Piezas necesarias:

- 2 x Parrillas de cocción de hierro fundido recubiertas de porcelana
- 2 x Repisas superiores de acero recubiertas de porcelana
- 1 x Repisa superior de acero recubierta de porcelana

### Instalación:

- Deslice las parrillas principales en su lugar.
- Instale las parrillas de cocción superiores en los soportes de parrilla correspondientes.



## 17 INSTALACIÓN DE LAS REPISAS DE SOPORTE

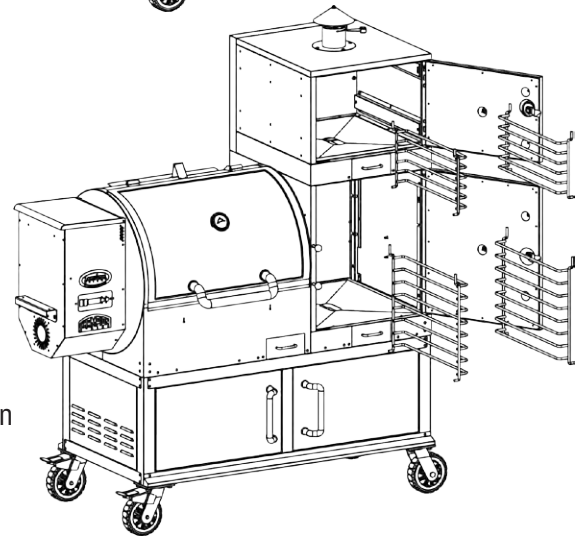
### Piezas necesarias:

- 2 x Repisas de soporte recubiertas de porcelana – pequeñas
- 2 x Repisas de soporte recubiertas de porcelana – grandes

### Instalación:

#### Paso 1 – Repisas de soporte superiores

- En primer lugar, instale las dos (2) repisas de soporte pequeñas en la cámara superior.
- Sostenga la repisa inclinándola ligeramente e inserte los ganchos superiores dentro de los agujeros de la cámara.
- Deslice la repisa hacia arriba para alinear los ganchos inferiores con los agujeros de la cámara.
- Inserte los ganchos inferiores ajustándolos firmemente.



#### Paso 2 – Repisas de soporte de la caja de ahumado

- Las dos (2) repisas grandes deben ser instaladas de manera similar a las repisas de soporte superiores.

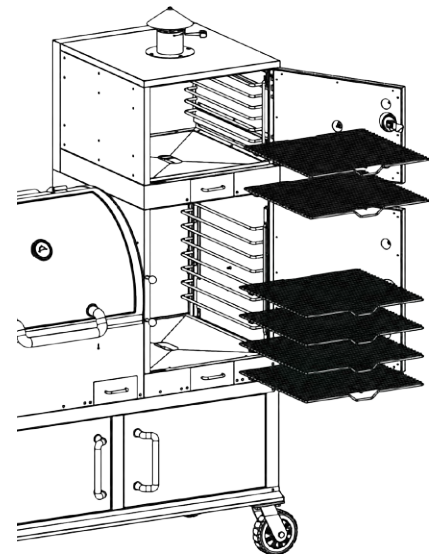
## 18 INSTALACIÓN DE LAS REJILLAS DE HORNO

### Piezas necesarias:

- 6 x Rejillas de horno de acero recubiertas de porcelana

### Instalación:

- Simplemente deslice la cantidad deseada de rejillas en los soportes de acuerdo a sus necesidades.



## 19 INSTALACIÓN DE LA VAPORERA

### Piezas necesarias:

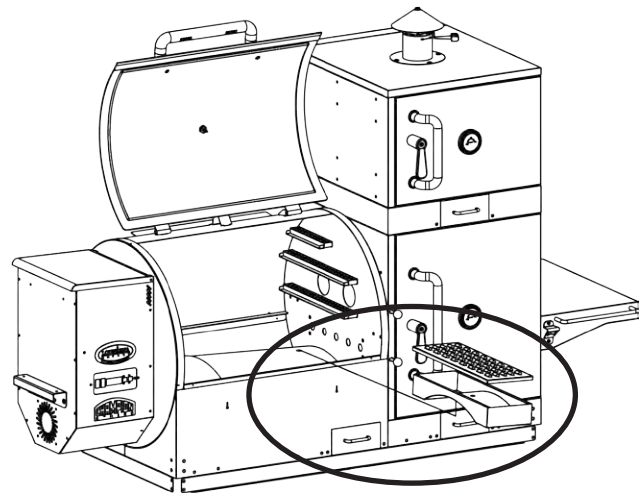
- 1 x Parte principal de la vaporera
- 1 x Tapa de vaporera

### Instalación:

La vaporera ha sido diseñada para encajar sobre el asador a la llama y debajo de las parrillas de cocción principales. El ventilador fuerza la convección del aire junto con los líquidos calientes, conformando el accesorio perfecto para la cocción al vapor, no sólo en el cilindro principal sino también en las cámaras adicionales.

- Retire las parrillas de cocción principales.
- Inserte la parte principal de la vaporera dentro del agujero ubicado al lado derecho del asador a la llama.
- Llene la cavidad con agua o el líquido de su elección.
- Cubra con la tapa ventilada de la vaporera.

**CONSEJO:** Cuando no la utilice, es mejor retirar la vaporera del asador a la llama y de la unidad.



### INSPECCIÓN Y LIMPIEZA FINALES:

SIEMPRE limpie la suciedad, el polvo y la grasa de TODAS las superficies pintadas y de acero inoxidable antes de utilizar la unidad. Estos residuos podrían cocinarse en el metal y mancharlo.

Usando un paño delicado y agua jabonosa, limpie minuciosamente todas las superficies y asegúrese de que todos los tornillos estén bien apretados. Todas las superficies de acero inoxidable pueden ser limpiadas usando un limpiador para acero inoxidable y un trapo suave.

### CONEXIÓN A LA ALIMENTACIÓN:

#### EN EL HOGAR

- Este artefacto necesita un suministro de 110 V, 60 Hz, 5 A
- Debe usar un enchufe de conexión a tierra de tres clavijas.
- El centro de control digital de la temperatura del horno usa un fusible de 3,1 cm x 0,6 cm (1 ¼ pu x ¼ pu) y de 5 A y 110 V para proteger el panel.

#### Tomacorrientes con interruptor de circuito por falla de conexión a tierra (GFCI)

- Este artefacto puede ser operado con la mayoría de los tomacorrientes GFCI. Tamaño recomendado: 15 A.
- Si su tomacorriente GFCI es altamente sensible a las sobretensiones, es muy probable que sufra un corto durante la etapa de encendido. En esta etapa, el encendedor consume de 300 a 700 W de electricidad, lo que puede representar demasiada energía para el tomacorriente GFCI. La calidad del tomacorriente GFCI no es lo importante, sino su sensibilidad. La sensibilidad del tomacorriente GFCI aumenta cada vez que éste sufre un corto.

**Solución 1:** Instale un nuevo tomacorriente GFCI.

**Solución 2:** Enchufe el artefacto en un tomacorriente sin GFCI.

#### DURANTE UN VIAJE

- Al desconectar el encendedor del cableado principal, su asador puede operar usando un inversor de LONGITUD DE ONDA POSITIVA de 12 voltios y 100 W, enchufado en el tomacorriente de su automóvil. Encienda después su asador/ahumador siguiendo el método manual (descrito en las instrucciones de encendido).
- Si no desea seguir usando el encendedor automático, se recomienda usar un inversor de LONGITUD DE ONDA POSITIVA de 1000 W como mínimo.

## CONOCER ES PODER

### TRES ZONAS DE COCCIÓN

**Zona de cocción 1 – Cilindro principal: 82 °C a 315 °C / 180 °F a 600 °F**

- Aquí es donde se obtiene el calor, la ventilación y el sabor para toda la unidad. Cuando los reguladores de aire de su asador/ahumador en caliente están completamente cerrados usted conserva el calor por convección al interior del cilindro principal.

- Un asador a la llama arqueado CERRADO impide que los alimentos entren en contacto directo con la llama; proporciona una gran área de metal caliente que facilita la evaporación y el retorno de los jugos a los alimentos siendo cocinados para un mayor sabor, conduce el exceso de grasa directamente a una bandeja para grasa, y distribuye uniformemente el calor por toda la zona de cocción.
- Un asador a la llama arqueado ABIERTO permite que los alimentos entren en contacto directo con la llama y el calor intenso. Un asador a la llama abierto resulta en una menor convección de aire al interior de la unidad.
- La combinación de pellets ardientes, el asador a la llama arqueado y la cocción por convección inducida por ventilador le ofrecen un sabor ahumado delicioso y natural y una cocción uniforme exclusiva a los asadores de pellets, que harán que reciba fantásticos elogios cada vez que utilice su asador.

### Zona de cocción 2 – Caja de ahumado en caliente: 65 °C a 176 °C / 150 °F a 350 °F

- La cámara inferior es su caja de ahumado en caliente. Al interior de la caja, sobre la pared lateral izquierda, se encuentran dos reguladores de aire. Estos reguladores controlan el flujo de aire desde el cilindro principal. Experimente con ellos para encontrar el ajuste que mejor le convenga.
- Regulador superior cerrado / regulador inferior abierto: proporciona un espacio de cocción adicional, conservando el calor por convección en el cilindro principal.
- Ambos reguladores abiertos: Maximiza la temperatura en la cámara inferior, pero hace que el cilindro principal pierda el calor por convección.



### Zona de cocción 3 – Caja de ahumado en frío / horno calentador: 15 °C a 82 °C / 60 °F a 180 °F

- La cámara superior es su caja de ahumado en frío / horno calentador. Use el panel de control de escape trasero y la chimenea ajustable para disminuir la temperatura dentro de la cámara superior.



### CHIMENEA CONTROLADA POR REGULADOR DE AIRE

- Ajuste el regulador de aire de la chimenea para crear una corriente ascendente natural al interior de la unidad. Esto afecta las cámaras inferior y superior.

**CONSEJO:** Su asador de pellets de la gama LG Champion puede funcionar eficazmente durante largos periodos y a diferentes niveles de calor, siempre que el combustible se mantenga seco, la rejilla de combustión esté correctamente colocada y la limpieza y el mantenimiento sean realizados oportunamente.

### PROCEDIMIENTO DE INSTALACIÓN INICIAL

Tenga en cuenta que, durante la expedición o la recepción, el asador fue movido de una u otra manera. Por ello, es necesario efectuar una completa inspección visual. Sírvase seguir este procedimiento de instalación inicial para garantizar el funcionamiento correcto y seguro de su asador.

**CONSEJO:** Es muy recomendable repetir siempre este PROCEDIMIENTO BÁSICO DE PREPARACIÓN, después de haber cocinado con su asador una o dos veces. Esto garantiza el correcto encendido de su asador, un calor óptimo y una experiencia culinaria plenamente satisfactoria.

#### Paso 1

Abra la TAPA DEL AHUMADOR y retire las parrillas de cocción (13).

#### Paso 2

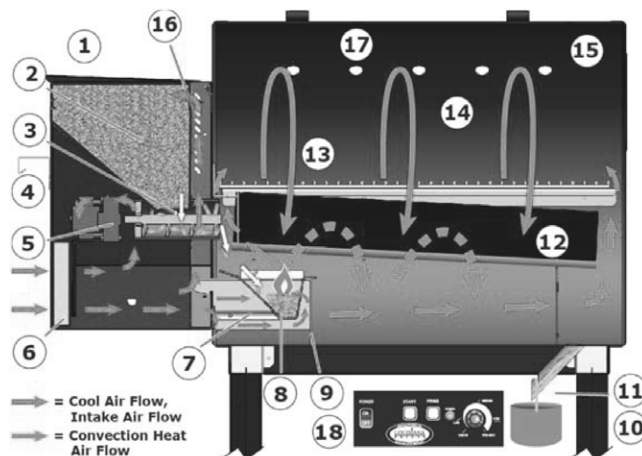
Retire el asador a la llama arqueado (12). Retire el material de embalaje. \* El recubrimiento del asador es una grasa comestible.

#### Paso 3

Retire la rejilla de combustión de acero inoxidable (8) y examine el cesto de combustión (9). Retire todos los objetos extraños. Asegúrese de que los agujeros de aeración del asador (8) y el encendedor (7) estén libres de residuos.

#### Paso 4

Reinstale la rejilla de combustión (8). Asegúrese de que la parrilla de acero inoxidable está bien asentada en el cesto de combustión (9) y de que el encendedor está alineado correctamente con el agujero de la rejilla de combustión.



### Paso 5

Reinstale el asador a la llama arqueado (12). La pieza más larga del «arco» debe estar orientada hacia arriba y las ranuras de llama deben estar del mismo lado que la tolva. Luego se asienta sobre el soporte de montaje y la placa separadora de la grasa. La ranura se engancha sobre el soporte móvil que se encuentra en el área de descarga de combustible de pellets. Asegúrese de que este soporte de montaje está bien ajustado contra el cilindro. La segunda pieza del asador a la llama se encaja después sobre la primera y se desliza para «cerrar».

### Paso 6

Reinstale las parrillas de cocción (13).

### Paso 7

Compruebe que las tres bandejas para grasa estén instaladas, limpias y listas para ser utilizadas.

### Paso 8

Abra la tapa de la tolva (1) y compruebe que ésta no contenga materiales extraños. Llene la tolva (2) con el combustible de pellets de madera natural de su predilección.

### Paso 9

Abra y examine las dos cajas de ahumado. Retire los objetos extraños.

### Paso 10

Tire y empuje las varillas de los reguladores de aire, para facilitar su operación.

### Paso 11

Enchufe. Enciéndalo. ¡Y a asar se ha dicho!

## CENTRO DE CONTROL DIGITAL G2

Este controlador PID (proporcional-integral-derivativo) es bastante similar al controlador del horno de su cocina. Su mayor ventaja reside en su capacidad de compensar automáticamente de acuerdo a las distintas condiciones ambientales y tipos de combustibles, lo que permite cocinar a la parrilla por más tiempo y sin contratiempos. Viene además con una característica de sonda para carne programable.

Recuerde: Como es el caso de su horno de cocina, la temperatura REAL varía hacia arriba o hacia abajo dependiendo del clima, del sabor de los pellets usados y de la cantidad de carne sobre la parrilla.



## CONCORDANCIA DE TEMPERATURA ENTRE LOS INSTRUMENTOS

La temperatura dentro de cualquier asador varía de acuerdo al lugar. Incluso los instrumentos que fueron calibrados juntos no coincidirán entre ellos.

## PANEL TÁCTIL DE ENCENDIDO / APAGADO

Este panel táctil sensible a la presión es usado para encender el controlador, lo que inicia el modo automático de puesta en marcha.

También es usado para apagar el controlador o para activar el modo de apagado.

## PANEL TÁCTIL DE ALTA CALIDAD

Este panel táctil tiene las mismas funciones que cualquier otro panel de las parrillas Louisiana Grills. Solicitado por los participantes de las competencias de cocina, cuando se presiona y mantiene el panel, el sistema de alimentación de combustible gira y añade pellets adicionales a la rejilla de combustión. Esto puede ser útil para agregar más combustible justo antes de abrir la tapa del asador, lo que resulta en una más rápida recuperación del calor. También puede ser usado para añadir más combustible al ahumar los alimentos y obtener un sabor de humo limpio más intenso.

## AUMENTAR Y BAJAR LA TEMPERATURA DE COCCIÓN CON EL PANEL TÁCTIL

Al presionar las flechas de arriba o abajo, se puede subir o bajar la temperatura por bloques de 5 grados, como indica la luz LED. La temperatura puede ser establecida tan baja como 82 °C / 180 °F, para el ahumado en caliente, o tan alta como 315 °C / 600 °F, para el marcado de sus bistecs o hamburguesas. También se usa para efectuar la misma labor con la sonda para carne.

## PANTALLA LED

Esta pantalla es usada para indicar la temperatura y para señalar los mensajes de error y las lecturas durante el encendido. Las temperaturas pueden ser indicadas en grados Celsius o Fahrenheit.





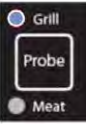
### INDICADOR DE TEMPERATURA

Al presionar TEMP en el panel táctil, la pantalla LED muestra y permite desplazarse para ver la lectura de temperatura «ACTUAL» (real) o el «SET POINT» (punto de ajuste) de la temperatura deseada. La pequeña luz LED al lado de ambos parámetros es usada para indicar el tipo de temperatura que está siendo mostrada.



### SELECCIÓN DE SONDA

Al presionar PROBE (sonda) en el panel táctil, la pantalla LED muestra y permite desplazarse para ver la lectura de temperatura de la sonda de la parrilla (GRILL) o la lectura de la sonda para carne (MEAT). La pequeña luz LED al lado de ambos parámetros es usada para indicar el tipo de temperatura de sonda que está siendo mostrada.



### SONDA PARA CARNE PROGRAMABLE

Diseñado usando los más recientes componentes electrónicos de estado sólido, el centro de control digital hace más fácil para todos el ahumar lentamente, hornear o marcar la carne como un parrillero profesional. El controlador no solamente le dará la capacidad de definir y mantener automáticamente la temperatura de cocción deseada (de 82 °C / 180 °F para el ahumado en caliente hasta 315 °C / 600 °F para el marcado de la carne) como su horno de cocina, sino que ahora gracias a la sonda para carne adicional usted podrá cocinar sus alimentos a la temperatura interna deseada y ajustarla después para mantenerlos calientes. Mediante la auténtica cocción por convección del asador, que evita que sus delicias culinarias se sequen en exceso, usted tan sólo tiene que determinar los ajustes deseados para luego relajarse o incluso tomar una siesta, sabiendo que el centro de control digital se ocupará del resto.



Esta pantalla es usada para indicar que no hay una sonda (para carne) interna conectada al centro de control digital, cuando se seleccionó la sonda para carne.



### SONDA PARA ALIMENTOS INTERNA PROGRAMABLE

La sonda para alimentos interna programable del centro digital de control es la más reciente adición a la familia de asadores Louisiana Grills y es una herramienta indispensable para los parrilleros debutantes o profesionales. Basta con conectar la sonda para alimentos interna en el panel, insertar la sonda de acero inoxidable en su creación culinaria y determinar la temperatura deseada de la sonda para carne. El asador entonces no sólo cocinará su grandioso festín de acuerdo a sus indicaciones, sino que también reducirá automáticamente la temperatura de su fuego al nivel más bajo para preparar sus alimentos a la perfección, como a usted le gusta. Así es que siéntese, relájese o pase una noche de sueño reconfortante y prepárese para deleitarse con los sabores.

### CÓMO PROCEDER:

#### CONECTADOR DE LA SONDA

Inserte el conectador tipo auricular de 3,5 mm (1/8 pu) de la sonda para alimentos en este adaptador hembra. Asegúrese de insertarlo por completo hasta oír y sentir que encaja en su lugar. La sonda puede ser conectada al panel en cualquier momento.



#### PANEL TÁCTIL DE CONTROL DE ENCENDIDO/APAGADO

Presione este panel táctil para activar el controlador. La luz LED azul de lectura se ilumina, el ventilador arranca, los pellets comienzan a ingresar y el encendedor empieza a brillar.



#### TEMPERATURA DE COCCIÓN DEL ASADOR

Presione PROBE y seleccione GRILL. Presione TEMP y luego SETPOINT. Use las flechas de arriba o abajo para seleccionar la temperatura deseada del asador entre 82 °C / 180 °F y 315 °C / 600 °F. Presione el panel nuevamente para ver la temperatura real del asador.



#### TEMPERATURA DE LA SONDA PARA ALIMENTOS

Presione PROBE y luego MEAT. Presione TEMP y luego SETPOINT. Use las flechas de arriba o abajo para seleccionar la temperatura interna deseada de los alimentos. La temperatura de la sonda puede ser fijada entre 10 °C / 50 °F y 107 °C / 225 °F. Presione TEMP nuevamente para ver temperatura real de la sonda para carne.



**CONSEJO:** Teniendo en cuenta el tiempo que usted estará alejado del asador, determine la temperatura deseada unos 10 a 15 grados por debajo de su preferencia, debido a que la temperatura de los alimentos seguirá subiendo un poco, hasta que el asador se enfría y se mantiene en la más baja temperatura. Asegúrese de insertar la sonda por completo en el conectador, hasta oír y sentir que encaja en su lugar.

### DELÉITASE CON LOS SABORES



El centro de control digital cocina automáticamente su comida hasta alcanzar la temperatura deseada de la sonda para alimentos. Posteriormente, el controlador baja automáticamente la temperatura de cocción del asador a 82 °C / 180 °F y le alerta emitiendo seis veces un tono «BIP». El punto de ajuste de temperatura del asador baja automáticamente a 82 °C / 180 °F.

**CONSEJO:** Para facilitar su limpieza, rocíe la sonda para carne con un aerosol antiadherente o frótelas con aceite de cocina antes de usarlas.

**CONSEJO:** Todos nuestros controladores digitales y sondas tienen una tolerancia de fabricación +/- . Es normal que las lecturas de temperaturas tengan una diferencia de unos cuantos grados.

## OPERACIÓN:

**Atención:** La sonda del asador y las sondas para carne están hechas con un material que puede resistir temperaturas elevadas, pero es importante evitar que los cables del termopar entren en contacto con el fuego directo o sean expuestos a temperaturas extremas que excedan sus capacidades de temperatura.

## UBICACIÓN DE LA SONDA PARA CARNE

La ubicación de la sonda de temperatura es muy importante.

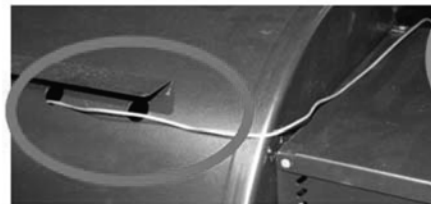
**NO** use la sonda para carne cuando use el asador a la llama en la posición «abierto».

El extremo en acero inoxidable de la sonda para carne debe ser insertado dentro de la carne de manera que su punta se encuentre en la parte más gruesa de la carne.

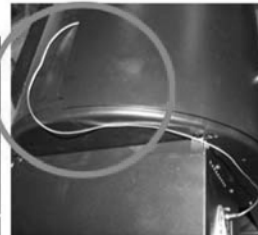
La carne debe ser orientada sobre la parrilla de manera que el cable de la sonda salga del asador/ahumador, lejos del fuego directo o del calor excesivo. El cable de la sonda puede ser entonces encaminado de distintas maneras hacia el controlador para evitar que entre en contacto directo con el fuego.



A través del lado del cilindro, en las unidades modelo 2014.



A través de los agujeros del escape trasero.



A través de la parte superior del cilindro, entre la tapa y el cilindro.

## GANCHO PARA SONDA PARA CARNE

Hay dos agujeros en el mango lateral de la tolva que pueden ser usados para colocar su sonda para carne, cuando no la use, o para guardarla en un lugar limpio y protegido hasta que pueda ser limpiada y almacenada.

## MANTENIMIENTO

1. NO deje conectada la sonda en el controlador cuando no la use.
2. NO retuerza ni doble los cables protegidos por la malla resistente de acero inoxidable del asador y de las sondas de carne.
3. NO enrolle los cables en una bola compacta. Los cables siempre deben ser enrollados como una bobina bastante larga y poco ajustada.
4. NO envuelva los cables de la sonda en papel de aluminio.
5. NO coloque la sonda o los cables en el lavaplatos, ni los sumerja en agua. El agua puede infiltrarse en los cables o conexiones internos y provocar un cortocircuito de la sonda. Esto resultará en lecturas erróneas. Cuando las sondas sufren un cortocircuito, no hay manera de repararlas y deben ser reemplazadas.
6. MANTENGA limpias las sondas de acero inoxidable resistente. La sonda del asador y la sonda para carne pueden ser limpiadas una vez que se hayan enfriado, con una esponja de cocina o paño jabonoso.

El estilo de vida predominante en la actualidad prefiere los alimentos saludables y nutritivos, resaltando la importancia de reducir el consumo de grasas. Una de las mejores maneras de reducir las grasas en su dieta es de emplear técnicas de cocina con bajo contenido de grasas, como los asadores. Como un asador de pellets usa gránulos de madera natural, el delicioso sabor de la madera se impregna en las carnes, reduciendo por consiguiente la necesidad de utilizar salsas con alto contenido de azúcares.

A lo largo de este manual usted notará el énfasis puesto en cocinar a la parrilla lentamente a una temperatura MEDIA (135-190 °C / 275-375 °F). Gracias a los beneficios de la cocción por convección y del uso del asador a la llama arqueado, su asador LG Champion Grill le permitirá evitar las llamaradas y maximizar el valor nutricional de los alimentos que cocine.

**A continuación, le ofrecemos una lista de consejos valiosos que le ayudarán a cocinar con la perfección que usted espera de su asador/ahumador de pellets LG Champion.**

**Medio ambiente:** Como es el caso de todos los asadores, las condiciones climáticas juegan un rol importante en el rendimiento de su asador/ahumador y en el tiempo de cocción necesario para cocinar a la perfección sus deliciosos platos. Gracias a su estructura de pared simple, su asador/ahumador LG Champion puede ser considerada como un asador de dos a tres temporadas, dependiendo de donde habite. Para mayores detalles acerca de la preparación de parrilladas y las condiciones del tiempo, consulte los consejos sobre los climas calientes y fríos en [www.louisiana-grills.com](http://www.louisiana-grills.com).

**Ubicación del asador:** Todos los asadores LG deben ser ubicados a una distancia mínima de 45,72 cm (18 pu) de cualquier superficie combustible, detrás o al costado del asador. Su asador incluye ruedas que facilitan su desplazamiento. Si tiene la posibilidad de proteger su asador/ahumador del viento, esto ayudará a alcanzar la temperatura deseada, conservar el calor y acelerar el tiempo de recuperación del calor cuando se abra la tapa. Girar el asador/ahumador en  $\frac{1}{4}$ , manteniendo los agujeros de salida de humo alejados del viento, resultará en mejores temperaturas.

### **Funcionamiento del asador:**

#### *Quemado inicial*

Antes de cocinar por primera vez en su ahumador/asador, le recomendamos «quemar» el asador para eliminar las materias extrañas. Encienda y haga funcionar el asador a alta temperatura, o por encima de 232 °C / 450 °F, con la tapa cerrada, durante 30 a 40 minutos.

#### *Encendido del asador*

Es recomendable efectuar siempre el procedimiento de PREPARACIÓN después de haber usado el asador una o dos veces. Esto garantizará el buen encendido de su asador y muchas experiencias culinarias plenamente satisfactorias. Encienda su asador de acuerdo con las instrucciones de este manual. Si el asador no se enciende, se debe probablemente a una rejilla de combustión sucia o llena que bloquea los pasajes de aire del encendedor automático (consulte las instrucciones de encendido que se encuentran en este manual).

#### *Pre calentamiento*

Es de suma importancia precalentar SIEMPRE su asador antes de cocinar, a temperaturas de más de 232 °C / 450 °F durante 5 a 10 minutos. Esto permite que el asador y las parrillas de cocción se calienten rápidamente, que se quemen las bacterias o los residuos extraños y que el asador mantenga su temperatura de cocción cuando ponga sus alimentos en la zona de cocción. Cuando no PRECALIENTA su asador, usted notará que se requiere más tiempo para que el asador y los alimentos alcancen la temperatura de cocción.

Siempre PRECALIENTE su asador/ahumador con la tapa cerrada. Ajuste el control de temperatura a 232 °C / 450 °F, encienda su asador y permita que se PRECALIENTE (232 °C / 450 °F O MÁS) durante 5 a 10 minutos. Esto le da tiempo más que suficiente para preparar sus alimentos para ponerlos en el asador, y es asimismo el último paso para la limpieza de sus parrillas de cocción.

**NOTA: Una vez el precalentamiento completado, determine la temperatura de cocción y deje la tapa abierta hasta que la temperatura real se aproxime de la temperatura deseada.**

#### *Posición de la tapa*

Siempre cocine con la tapa cerrada. Esto mantiene la uniformidad de la temperatura, hace que los alimentos se cocinen más rápido y requiere menos combustible, aprovechando la cocción por convección forzada por ventilador. Mantener la tapa cerrada contribuye también a generar un delicioso sabor ahumado. Usted puede desacelerar la cocción manteniendo abierta la tapa con un elevador de parrillas.

**ATENCIÓN:** Los fuegos causados por la grasa son consecuencia del mal mantenimiento del asador, o de no limpiar el fondo del cilindro de manera sistemática. En el caso poco probable de que ocurra un fuego causado por la grasa mientras usted esté cocinando, retire rápidamente todos los alimentos y cierre la tapa. Si al cabo de un corto tiempo el fuego no se extingue, abra la

tapa y rocíe ligeramente bicarbonato de sodio sobre el fuego. Tenga cuidado de no quemarse. Si esto no funciona, gira el botón de alimentación hasta la posición de APAGADO para que los pellets dejen de alimentar el fuego y cierre la tapa hasta que el fuego se apague por completo.

**A continuación, le ofrecemos una lista de consejos valiosos que le ayudarán a cocinar con la perfección que usted espera de su asador/ahumador de pellets LG Champion.**

**Nota: La lectura de temperatura en el panel de control podría NO coincidir exactamente con la indicada por el termómetro en el domo.**

*Temperaturas elevadas: 204 °C a 315 °C / 400 °F a 600 °F*

El rango MÁXIMO proporciona una temperatura de horno de más de 204 °C a 315 °C / 400 °F a 600 °F, dependiendo del clima. Este ajuste es usado para precalentar rápidamente su asador y para terminar los ciclos de limpieza de las parrillas de cocción y del asador a la llama arqueado. También puede ser usado como un ajuste de temperatura MÁXIMA en condiciones de frío intenso o si se cocina con la tapa abierta. Asimismo, puede ser usado con el asador a la llama arqueado abierto para crear bistecs medio crudos («azules» o «chamuscados») así como verduras acariciadas por el fuego, tostadas de ajo e incluso s'mores (galletas con chocolate y malvaviscos).

*Temperaturas medias: 135 °C a 177 °C / 275 °F a 350 °F*

Este rango es ideal para hornear, asar y darle el toque final a los alimentos ahumados lentamente. Este rango reduce considerablemente la posibilidad de llamaradas, con el asador a la llama CERRADO. Ideal para cocinar alimentos envueltos en tocino, o cuando usted desea asumir el control.

*Temperaturas bajas: 82 °C a 122 °C / 180 °F a 250 °F*

El ajuste MÍNIMO proporciona una temperatura aproximada de 82 °C a 122 °C / 180 °F a 250 °F. Este ajuste es usado para asar a fuego lento; para aumentar el sabor a humo; para mantener calientes los alimentos; y para muchas otras ideas deliciosas. Es muy recomendable para preparar el gran pavo de la Acción de Gracias, el jamón de Pascua o la gran cena de Navidad.

El ahumado es una variación de la auténtica parrilla y es la gran ventaja de tener un asador de pellets de madera. Existen dos métodos de ahumado: AHUMADO EN CALIENTE y AHUMADO EN FRÍO.

El ahumado en caliente, que es tan sólo otro nombre para el asado a la parrilla, se hace por lo general a una temperatura de 82 °C a 122 °C / 180 °F a 250 °F. El ahumado en caliente funciona mejor cuando se necesita un mayor tiempo de cocción, como es el caso de los grandes cortes de carne, pescado o aves.

El ahumado en frío consiste en colocar los alimentos muy lejos del fuego, de manera que se ahúmen sin cocinarse, a temperaturas de 15 °C a 32 °C / 60 °F a 90 °F.

**CONSEJO:** Las temperaturas indicadas arriba son aproximativas y se verán afectadas por la temperatura exterior, la fuerza y dirección del viento, el tamaño y tipo de pellets utilizados y de la cantidad de veces que se abra la tapa.

**CONSEJO:** Para acentuar los sabores, cambia a la temperatura (baja) del ahumado en caliente inmediatamente después de haber puesto los alimentos en la parrilla. Esto permite que el humo penetre en las carnes antes de que sus poros se cierren a una temperatura de 49 °C / 120 °F.

## **Después de cocinar – Limpieza**

Uno de los mayores beneficios de su asador LG Champion es que necesita tan sólo un mínimo de limpieza. Cuando termine de cocinar y esté esperando que los sabores se asienten en su carne de primera calidad, le recomendamos lo siguiente:

1. Use un cepillo de latón o metal blando para limpiar parrillas con mango largo, para retirar cualquier alimento o acumulación de residuos de las parrillas de cocción, cuando éstas aún estén calientes.
2. Ponga el controlador de temperatura en HIGH (450+) durante 5 minutos. Permita que el asador se caliente y oprima STOP en el panel táctil y usted habrá terminado. El controlador dejará de suministrar pellets, pero el ventilador seguirá quemándolas adecuadamente hasta que se apaguen. Después, la unidad se apagará automáticamente tras 20 minutos o cuando la temperatura esté por debajo de 54 °C / 130 °F.
3. Una rápida limpieza de las superficies con recubrimiento de polvo usando un paño, agua caliente y jabón suave hará que su unidad siempre luzca como nueva.
4. Permita que el asador/ahumador se enfríe y haga descansar su asador LG Champion protegiéndolo con la cubierta ofrecida en opción.

## PARA EMPEZAR

### PROCEDIMIENTO DE ENCENDIDO – AUTOMÁTICO

**Siempre examine, y limpie si es necesario, el cesto de combustión, la rejilla de combustión, el encendedor, el asador a la llama, las superficies de cocción, la tolva y el combustible de pellets de madera antes de usar su asador.**

**Paso 1:** Enchufe el cable de alimentación en un tomacorriente puesto a tierra de 110 voltios. NO corte la conexión a tierra del cable ni use un tomacorriente sin puesta a tierra o una extensión.

**Paso 2:** Levante la tapa de la tolva. Compruebe que la tolva y el sistema de alimentación no contengan objetos extraños. Llene la tolva únicamente con pellets secos de madera natural para asador.

**Paso 3:** Presione ON/OFF en el panel táctil. El modo de encendido («START UP») se inicia. El sistema de alimentación empieza a suministrar el combustible de pellets a la cadencia predeterminada por el software, el ventilador se pone en marcha y el encendedor se calienta. El modo START UP está programado para durar por lo menos 20 minutos o hasta que el artefacto alcance una temperatura de funcionamiento de 65 °C / 150 °F.

**Paso 4:** Presione la flecha hacia arriba para alcanzar una temperatura elevada («HIGH») para precalentar y limpiar su asador.

**NOTA: POR RAZONES DE SEGURIDAD Y SALUD, ES MUY RECOMENDABLE PRECALENTAR SIEMPRE SU ASADOR ANTES DE AJUSTAR LA TEMPERATURA FINAL.**

**Paso 5:** Una vez el asador precalentado, use las flechas del panel táctil para determinar la temperatura deseada.

**CONSEJO: Cuando reduzca la temperatura, es muy recomendable levantar la tapa hasta que la temperatura REAL se acerque de la temperatura DESEADA.**

### PROCEDIMIENTO DE ENCENDIDO – MANUAL

**Paso 1:** Enchufe el cable de alimentación en un tomacorriente puesto a tierra de 110 voltios. NO corte la conexión a tierra del cable ni use un tomacorriente sin puesta a tierra o una extensión.

**Paso 2:** Llene la tolva con pellets secos de madera natural para asador. Compruebe que la tolva y el sistema de alimentación no contengan objetos extraños.

**Paso 3:** Retire las parrillas de cocción y el asador a la llama. Retire, limpie y vuelva a colocar la rejilla de combustión.

**Paso 4:** Coloque dos (2) manojos generosos de pellets en el cesto de combustión.

**Paso 5:** Coloque un iniciador de fuego de gel, u otro iniciador adecuado para pellets, dentro de la rejilla de combustión y sobre los pellets.

**Paso 6:** Encienda el iniciador de fuego usando un fósforo largo para chimeneas o un encendedor de mango largo.

**NUNCA AÑADA INICIADORES EN UN FUEGO YA ENCENDIDO O EN EL CESTO DE COMBUSTIÓN CALIENTE. PUEDE GENERARSE UNA LLAMARADA Y USTED SE PODRÍA QUEMAR GRAVEMENTE.**

**Paso 7:** Permita que el iniciador de fuego queme los pellets durante 3 a 5 minutos.

**Paso 8:** Con precaución, vuelva a colocar en su lugar el asador a la llama y las parrillas de cocción.

**Paso 9:** Siga los pasos 3 a 5 del procedimiento de encendido AUTOMÁTICO (más arriba).

### APAGADO DE SU ASADOR/AHUMADOR

Su asador de pellets Champion le ofrecerá muchos años de delicioso servicio requiriendo una mínima limpieza. Es primordial dejar que el asador y las parrillas de cocción se «auto limpien» haciendo funcionar el asador a temperaturas ELEVADAS o de PRECALENTAMIENTO, más de 232 °C / 450 °F, durante 5 a 10 minutos después de cada uso.

Al terminar de cocinar con su asador Champion, ajuste la temperatura entre 232 °C y 260 °C / 450 °F y 500 °F. Deje que su asador funcione durante 5 a 15 minutos, dependiendo de lo que acaba de cocinar, para que proceda con su método de limpieza

normal. Si preparó alimentos con mucha grasa, como con TOCINO, es una buena idea el dejar funcionar el asador entre 10 y 20 minutos adicionales. La grasa podría causar un fuego, pero NO ENTRE EN PÁNICO NI DESENCHUFE la unidad. Sólo mantenga la tapa cerrada y deje que el asador se apague solo de manera natural, de manera muy similar a un horno autolimpiante. Esto reduce considerablemente los riesgos de llamaradas cuando prepare su próxima comida.

Una vez terminada la limpieza, presione STOP en el panel táctil. El controlador de su asador inicia el procedimiento de APAGADO AUTOMÁTICO o ENFRIAMIENTO.

- El sistema de alimentación deja de suministrar combustible.
- La llama se consumirá naturalmente.
- El ventilador de combustión / enfriamiento sigue funcionando hasta que la unidad se enfríe a 54 °C / 130 °F.
- Una vez terminado este procedimiento, las luces LED FAN (Ventilador) y POWER (Encendido) se apagan.

Si olvidó cocinar el postre, puede presionar START en el panel táctil. Si su temperatura real sobrepasa los 65 °C / 150 °F, el asador sigue funcionando normalmente. Si la temperatura es inferior a 65 °C / 150 °F, el asador pasa nuevamente por el procedimiento de ENCENDIDO.

## MANTENIMIENTO DEL ASADOR

Existen dos corrientes extremas a la hora de mantener limpio el asador. Hay quienes deben sacar lustre y brillo a todo su asador, por dentro y por fuera, después de cada uso. Y hay los otros que están convencidos que el limpiar el asador elimina el sabor asado. Una regla simple: ¡MODERACIÓN EN TODO!

**CONSEJO:** Sea minucioso cuando efectúe la limpieza y el mantenimiento. Un buen cuidado aumenta la vida útil de su asador y permite conservar su fantástico aspecto.

### EMPEZANDO LA TEMPORADA CON EL PIE DERECHO

Si dedica un poco de tiempo y esfuerzo al inicio de la temporada, usted no solamente contribuye a prolongar la vida útil de su asador, sino que garantiza su buen funcionamiento. ¡Usted será el «rey o la reina de la parrilla»! La mayoría de las técnicas de limpieza son descritas a continuación. Consulte con su concesionario local, quien le podría ofrecer un programa de mantenimiento anual o un servicio de inspección.

### SUPERFICIES DE TRABAJO DE ACERO INOXIDABLE

SIEMPRE limpie los residuos y el polvo de todas las superficies de acero inoxidable antes de empezar a cocinar. Los residuos pueden cocinarse y adherirse en el metal y mancharlo. Las superficies pueden ser limpiadas fácilmente usando aguja jabonosa caliente y un paño delicado. También se puede frotar rápidamente con un limpiador para acero inoxidable y un paño suave, pero teniendo cuidado de no frotar las superficies pintadas o las piezas internas. Ahora que los electrodomésticos en acero inoxidable ganan en popularidad, existen diversos productos comerciales concebidos para limpiar y proteger estas superficies.

### SUPERFICIES PINTADAS O CON RECUBRIMIENTO EN POLVO

La pintura y el recubrimiento en polvo, así como su mantenimiento, no están cubiertos por la garantía. Esto forma parte del cuidado y mantenimiento general.

Asegúrese de curar su nuevo asador/ahumador LG Champion durante por lo menos 30 a 40 minutos antes de usarla por primera vez. Esto permite curar correctamente el acabado y quemar el «OLOR DE ASADOR NUEVO» y los residuos de fabricación. **NO use limpiadores de hornos ni limpiadores o esponjas con abrasivos sobre las superficies con acabado.**

Una vez instalado el asador, mantener la apariencia original de cualquier acabado es algo muy simple. El humo y la mugre que se acumulan en las superficies cada cierto tiempo contienen condensación y sales que deben ser eliminadas pues pueden dañar el recubrimiento en polvo. Los recubrimientos de acabado deben ser lavados periódicamente. El recubrimiento debe ser lavado con agua jabonosa (use un detergente neutro) y enjuagado con agua limpia.

Cuando las piezas con recubrimiento en polvo son instaladas sin sufrir daños y reciben un mantenimiento periódico, serán conservadas de manera relativamente permanente. Un recubrimiento correctamente aplicado, aunque no esté aliado metalúrgicamente, no debería quebrarse, astillarse ni pelarse, como es el caso de las películas de pintura convencionales.

**NOTA:** Si por alguna razón el acabado se rasguña, desgasta o descascara, tanto el recubrimiento en polvo como el acabado con pintura pueden ser retocados o repintados usando pintura para asador resistente a altas temperaturas.



## PARRILLAS DE COCCIÓN

Lave a fondo las parrillas de cocción nuevas usando agua jabonosa caliente. Vuelva a colocarlas en el asador y PRECALIENTE el asador durante 20 a 30 minutos. Después de haber cocinado alimentos, abra la tapa y use un cepillo para limpiar parrillas con mango largo para limpiar minuciosamente las parrillas. Si no tiene un cepillo, use tenazas con mango largo y una bola estrujada de papel de aluminio. A continuación, ajuste la temperatura a «High» o «Preheat» hasta ver una hilera de humo (aproximadamente 5 minutos). Esto elimina la mayoría de los residuos que se forman en las parrillas de cocción.

La próxima vez que lo utilice, deje que el asador se PRECALIENTE durante 10 a 15 minutos para completar el ciclo de limpieza. Frote rápidamente las parrillas con su cepillo para limpiar. Antes de colocar las carnes, aplique una fina película de aceite de cocina sobre las parrillas. Esto sirve para reducir el tiempo de limpieza y evitar que las carnes se peguen o desgarren cuando las mueva.

## EL GRAN RECUBRIMIENTO

Su acabado le ayuda a proteger su asador de los efectos adversos del clima y los contaminantes externos. Sin embargo, como es el caso de todo producto para exteriores, la protección es buena tan sólo en la medida en que el asador reciba un buen mantenimiento. Siga las indicaciones de mantenimiento recomendadas en este manual para incrementar considerablemente la vida útil de su asador.

### Consejos útiles

#### QUÉ HACER

- Mantenga limpia la cubierta de su asador LG. Ésta es la mejor protección contra el moho que se forma en la suciedad y los objetos extraños que se pueden acumular por encima o por debajo de la tela. Use un limpiador o producto que limpie y proteja al mismo tiempo.
- Repare rápidamente cualquier rotura o perforación.
- Mantenga alejadas las mascotas.
- Mantenga alejados de la cubierta de su asador todos los arbustos o enredaderas. Muchas plantas poseen ácidos que pueden dañar las telas.

#### QUÉ NO HACER

- Cubrir su asador cuando aún está caliente.
- Almacenar cualquier objeto sobre la cubierta de su asador.
- Permitir que hojas, ramas o cualquier otro residuo orgánico permanezca durante mucho tiempo sobre la cubierta.
- Usar mangueras de alta presión o de vapor para limpiar la cubierta.
- Usar cepillos metálicos o duros, detergentes fuertes, limpiadores abrasivos o cloro en la cubierta de su asador.

## ASADOR A LA LLAMA ARQUEADO

Esto requiere de muy poco trabajo debido a su construcción y al tipo de material utilizado. Cada cierto tiempo, usted puede tener que eliminar los residuos quemados, como el queso fundido o la salsa barbacoa extra espesa. El mejor momento para limpiar y revisar el asador a la llama es durante el procedimiento de instalación inicial, después de cada uno a tres usos.

Los canales de grasa deben ser limpiados ocasionalmente para eliminar los residuos acumulados, permitir la libre circulación de la grasa hacia la bandeja de recepción y para facilitar el movimiento de la parte superior deslizante del asador a la llama.

El asador a la llama principal tiene muescas en ambos extremos, que son usados para enganchar el asador a la llama al soporte de montaje. Esto hace posible colocar al revés el asador a la llama para poder quemar los residuos, facilitando la limpieza.

## EL CILINDRO DE COCCIÓN

Para comenzar renovado la temporada, se recomienda retirar el asador a la llama arqueado y la rejilla de combustión dos o tres veces durante la temporada de parrillas, y limpiar a fondo todo el interior, desengrasando y aspirando para eliminar todos los residuos que se hayan podido acumular.

- Asegúrese de que el asador está COMPLETAMENTE FRÍO antes de usar su aspiradora de taller o antes de recoger las cenizas.
- Puede usar agua jabonosa caliente, un desengrasador de cocina, etc. para limpiar todo el interior del cilindro. Esto reduce la acumulación de grasa y las posibilidades de llamaradas.
- Revise y limpie los residuos acumulados dentro del conducto para la grasa.

## CESTO DE COMBUSTIÓN

El cesto de combustión es donde se coloca la rejilla de combustión. Posee una base sólida y sellada y una ranura para entornillar de manera permanente el cesto a la base del cilindro, así como dos tornillos para fijarlo al extremo del cilindro.

El cesto de combustión también está sellado en el extremo del cilindro, por dentro y por fuera, así como a lo largo de la base.

La función principal del cesto de combustión es de albergar el encendedor y de canalizar el aire forzado por el ventilador hacia la rejilla de combustión. Por consiguiente, requiere muy poco mantenimiento. De vez en cuando, usted puede aspirar o cepillar las cenizas o residuos quemados que hayan caído debajo de la rejilla de combustión.

Es de suma importancia que el cesto de combustión esté sellado firmemente a la pared lateral del cilindro y a la base del cilindro, y que esté enganchado y entornillado para garantizar su correcta ubicación. Usted puede verificar el hermetismo del cesto de combustión con tan sólo poner algunas de las finas cenizas volátiles alrededor del cesto y encendiendo el ventilador. El sellado es correcto si las cenizas no son sopladadas del cesto de combustión.

## **REJILLA DE COMBUSTIÓN DE ACERO INOXIDABLE**

**El buen mantenimiento y la correcta ubicación de la rejilla de combustión son fundamentales para el buen funcionamiento del asador.**

Revise periódicamente los agujeros de aire que se encuentran a los lados de la rejilla de combustión para detectar bloqueos o acumulaciones de residuos.

Usando un cepillo de metal o un destornillador de cabeza plana, raspe los residuos o acumulaciones. Si hay demasiados residuos que bloquean los agujeros, usted puede pasar un taladro a través de los agujeros para limpiarlos.

Usando una lana de acero o lija fina, frote cualquier residuo acumulado o quemado en la parte deslizante de la rejilla de combustión. Cualquier residuo o suciedad impedirá que los pellets ingresen por completo en la rejilla de combustión.

Al reinstalar la rejilla, compruebe que esté bien encajada en el cesto de combustión. La rejilla debe estar derecha, con el encendedor alineado con su agujero, y que quede poco espacio de movimiento por todos los lados del cesto de combustión.

## **ENCENDEDOR**

El encendedor de 300 W requiere muy poco mantenimiento. Compruebe que nada lo bloquee y que está libre de residuos. Use un gancho o una broqueta para limpiar los residuos de la varilla caliente y la caja del encendedor.

Compruebe la posición de la varilla caliente al interior del tubo del encendedor. La varilla caliente debe estar a nivel o ligeramente al interior respecto al extremo frontal inclinado de la caja. Puede que tenga que aflojar uno (1) de los juegos de tornillos que sostienen la varilla caliente.

Compruebe que los cuatro (4) juegos de tornillos que fijan la varilla caliente a la caja de acero inoxidable están bien ajustados. NO los apriete demasiado.

## **ZONAS Y BANDEJAS DE COLECTA DE GRASA**

Asegúrese de que las zonas de colecta de grasa están limpias y sin residuos. Revise la bandeja y también inspeccione y limpie la zona principal de colecta en el extremo del asador a la llama, así como el tubo que va del asador a la llama a la bandeja.

Durante los meses más cálidos, vacíe con más frecuencia la grasa acumulada para evitar que se ponga rancia y que otras «criaturas» se acerquen a disfrutar de su asador.

## **IR MÁS LENTO... SIN PONERLA DE LADO POR LA TEMPORADA**

Le recomendamos que, por lo menos una vez por mes y cuando su asador esté frío, lleve a cabo los procedimientos de mantenimiento descritos arriba, realizando también lo siguiente:

1. Usando un cepillo para verduras rígido, haga caer el sarro acumulado en el interior de las paredes de su asador.
2. Usando una brocha vieja, elimine las cenizas acumuladas dentro del cesto de combustión, la rejilla y el asador a la llama arqueado.
3. Cuando esté fría al tacto, limpie por completo su asador usando un aspirador de taller, para después lavarla y enjuagarla rápidamente.
4. Por último, revise visualmente el recubrimiento en polvo o el acabado de pintura. Retoque los rasguños con la pintura para retoques adecuada.

## **TOLVA LG CHAMPION ENFRIADA POR VENTILADOR**

**ADVERTENCIA: SIEMPRE DESCONECTE LA ALIMENTACIÓN DE SU ASADOR ANTES DE DARLE MANTENIMIENTO.**

Al exterior de la tolva:

El EXTERIOR de la tolva debe ser objeto de ciertas verificaciones muy rápidas:

1. Verifique y limpie los residuos de la entrada de aire del ventilador (telas de araña, pelusas de los árboles, etc.). Asegúrese de que no existan obstrucciones a una distancia de 45,72 cm (18 pu) de la entrada de aire del ventilador.
2. Verifique y limpie los residuos de las salidas de aire que se encuentran en los lados delantero y trasero.

3. Revise y limpie la zona de combustible de la tolva.  
Retire los cuatro (4) tornillos que sostienen la pantalla de protección de la tolva.  
Dos (2) en la tolva y dos (2) en el panel de acceso, en el extremo de la tolva.  
  
Para ayudar a proteger el metal galvanizado y para permitir el fácil deslizamiento de los pellets, usted puede aplicar una capa de cera para automóviles.  
  
Inspeccione el área del tornillo sin fin de metal. Revise y limpie la acumulación de aserrín y residuos. El exceso de acumulaciones puede causar una mala alimentación y variaciones en la temperatura.

#### Dentro del panel de acceso de la tolva:

Usted puede retirar los ocho (8) tornillos que fijan el panel de acceso en el extremo de la tolva. Hay cuatro (4) en la parte superior, dos (2) en el medio y dos (2) en el borde inferior.

Esto le permitirá efectuar lo siguiente:

1. Revisar y limpiar los residuos dentro de la caja de la tolva.
2. Revisar y limpiar los residuos de las aspas del ventilador y de la caja.
3. Revisar y limpiar los residuos del motor del tornillo sin fin.
4. Haga una inspección visual del mazo de cables y de todas las conexiones de cables.
5. Compruebe que todos los excesos de cables no impidan que el aire del ventilador llegue a la rejilla de combustión.

Después de terminar la inspección, vuelva a colocar todos los tornillos, ajustándolos a mano al inicio para garantizar el buen enroscado.

## CONSEJOS Y TÉCNICAS PARA UNA BUENA PARRILLADA

Estos son algunos consejos y técnicas muy útiles compartidos por muchos propietarios de asadores Louisiana Grills, por nuestro personal y nuestras familias, y obtenidos gracias a muchas prácticas.

#### **Todo es cuestión de TIEMPO y TEMPERATURA.**

Recuerde que una receta es tan sólo una guía.

- La primera vez que prepare una receta en su asador, prepárela exactamente igual a como la haría en su cocina. La siguiente ocasión, ajuste el tiempo y la temperatura para obtener un nuevo sabor. Tome nota de sus resultados.
- 176 °C / 350 °F en su horno interior equivale a 176 °C / 350 °F en su asador exterior.
- Antes de precalentar el asador, asegúrese de que está seguro, limpio e higiénico.
- **Siempre precaliente su asador antes de cocinar.** Ajuste la temperatura a más de 232 °C / 450 °F. Asegúrese de que la tapa está cerrada y permita que el asador se caliente durante por lo menos 10 a 15 minutos o hasta que la lectura de termómetro sea superior a 232 °C / 450 °F.
- Limpie todas las superficies de acero inoxidable antes de precalentar el asador. La suciedad y las manchas de comida se cocinarán en la superficie.
- **«Mise en place».** Tres palabras en francés que son esenciales para una parrillada perfecta. La expresión hace referencia a la preparación de los ingredientes y utensilios que necesita tener al lado de su asador antes de empezar a cocinar.
- Asegúrese de que la bandeja que colecta la grasa y las cenizas esté limpia, sin residuos ni grasa acumulada. Puede forrar la bandeja con papel aluminio para acelerar la limpieza.
- Siempre verifique que no haya residuos en la tolva de combustible de pellets y asegúrese de que no se le agotarán los pellets antes de terminar de cocinar. Use un aspirador de taller para limpiar la acumulación de aserrín.
- Para evitar que los alimentos se peguen, puede untar o frotar aceite de cocina en las parrillas de cocción. Si usa un aceite vegetal en aerosol, utilícelo sólo antes de encender el asador. Nunca rocíe aceite en el asador cuando haya fuego en el cesto de combustión.
- Marque las carnes y cocine con la tapa cerrada para obtener una parrillada perfecta en cada ocasión.
- Todos los asadores Louisiana Grills están diseñados para permitir una circulación uniforme del calor forzado por ventilador, de manera que los alimentos se cocinen de uniformemente en todos los lados. Deje un espacio libre de por lo menos 2,54 cm (1") entre los alimentos y la tapa para una adecuada circulación del calor.
- **Los tiempos de cocción de las recetas están basados en una temperatura ambiente de 20 °C / 70 °F con poco o nada de viento. Deje cocinar por más tiempo en los días fríos y de mucho viento, y también en las zonas de mayor altitud. El tiempo de cocción es más corto en los días más calurosos.**
- Para favorecer la penetración del humo en las carnes, cocine LENTO y BAJO. La carne cierra sus fibras cuando alcanza una

temperatura interna de 50 °C / 120 °F.

- Use tenazas con mango largo para voltear las carnes y espátulas para voltear las hamburguesas y el pescado. No use un tenedor para voltear las carnes pues puede pinchar la carne y hacer que los jugos de sabor se desprendan de ella.
- Humedecer o emparar la carne son buenas maneras de evitar que se sequen cuando se cocinen LENTO y BAJO. Una mezcla de 50/50 jugo de manzana (no cidra) y agua mantiene la humedad de la carne y la da un muy buen color.

**CONSEJO:** Es mejor aplicar las salsas cerca del final de la cocción para evitar que se quemen.

- La compra de una alfombra para asadores puede representar una buena inversión. Una alfombra protege las valiosas baldosas de su patio o terraza de posibles manchas de grasa o derrames accidentales debidos a la cocción por convección forzada por ventilador.

## PELLETS PARA PARRILLA DE MADERA 100% NATURALES

Son tan gruesas como el borrador de un lápiz y las personas que las ven por primera vez podrían pensar que se trata de comida para conejos, pero no hay nada pequeño acerca de la energía de calor y el sabor proporcionados por los pellets de madera. Los pellets de madera de combustión limpia generan cerca de 8200 BTU por cada libra, produciendo muy pocas cenizas (0,13 kg por 18,14 kg / 0,3 po por bolsa de 40 lb) y muy poca humedad (5 a 7%) y son neutros en carbono.

Los pellets de madera para asador son fabricados a partir de la misma materia que los pellets combustibles de madera para la calefacción del hogar, PFI Standard Premium Grade (consultar [pelletheat.org](http://pelletheat.org)). La materia prima pura (aserrín) es pulverizada con un molino de martillos y el material resultante es empujado a presión a través de un troquel. A medida que es forzado a través del troquel, el pellet es cortado de acuerdo a un largo específico, enfriado, tamizado, aspirado y empaquetado en bolsas de 9,07 kg o 18,14 kg (20 o 40 lb).

Los pellets de madera para asador se diferencian de los pellets para ahumar, usados en los asadores a gas o propano, en que la mayoría son una combinación de una madera principal y de una madera neutra. Esto resulta en un sabor más intenso generado por los pellets como combustible principal.

### Guía de sabores

Consulte con su vendedor para conocer los sabores disponibles en su localidad.

	Res	Búfalo	Cordero	Cerdo	Aves	Pescado	Verduras	Horneado
Nogal americano	X	X		X	X	X		
Mezquite	X	X		X	X	X		
Nogal de Georgia	X	X		X	X	X		
Manzana				X	X	X		X
Cerezo	X	X	X		X	X		X
Competencia	X	X	X	X	X	X	X	X
Barril de whisky	X	X	X	X	X	X	X	X

**Nogal americano:** Sabor intenso, como tocino ahumado. Considerada la «reina de las maderas».

**Mezquite:** Sabor fuerte, agrio y picante que hace pensar en la cocina Tex-Mex.

**Nogal de Georgia:** Sabor delicado del sudeste, ahumado y parecido al tocino. Similar al hickory pero no tan intenso.

**Manzana:** Sabor ahumado y ligeramente dulce. Muy recomendable para hornear.

**Cerezo:** Ligeramente dulce y ácido. Da un tinte rosado a las comidas ligeras.

**Competencia:** Arce, hickory y cereza. La mezcla perfecta de sabores dulces, salados y ácidos. Usado por muchos parrilleros profesionales.

**Barril de whisky:** Sabor de roble y barril de whisky, de ahumado intenso y dulce con un aroma penetrante. Ideal para las carnes rojas.

**CONSEJO:** Siempre guarde los pellets en un lugar seco. Evite exponerlos a la humedad pues esto puede causar que los pellets absorban la humedad, lo que reducirá la capacidad de calor o que hará que los pellets se inflen y quiebren. Almacénelos en un cubo o balde resellable a prueba de humedad.

**⚠ Advertencia sobre la Proposición 65:** Los productos derivados de la combustión, generados al usar este producto, contienen químicos que, de acuerdo al estado de California, pueden causar cáncer y defectos congénitos y afectar el sistema reproductivo (lávese las manos después de manipular este producto).

Este producto contiene químicos que, de acuerdo al estado de California, pueden causar cáncer y defectos congénitos y afectar el sistema reproductivo (lávese las manos después de manipular este producto).

# DIAGNÓSTICO Y RESOLUCIÓN DE PROBLEMAS

La limpieza y el mantenimiento adecuados, así como el uso de combustible limpio, seco y de buena calidad, sirven para prevenir los problemas de funcionamiento comunes de los asadores. Sin embargo, si su asador Louisiana Grills funciona mal o no funciona del todo, los siguientes consejos de diagnóstico pueden resultar muy útiles.

Ésta no es una lista exhaustiva. Para mayores detalles o una información actualizada, consulte nuestro sitio web: [www.louisiana-grills.com](http://www.louisiana-grills.com) y haga clic en **Customer Support (Atención al Cliente)**. También, puede contactar con su **concesionario local autorizado** o con el **departamento de atención al cliente de Dansons**: (llamada gratuita) **1-877-303-3134, de lunes a viernes, de 8 a.m. a 5 p.m. Hora de la Montaña.**

**NO DEVUELVA** este producto sin antes haber llamado al departamento de atención al cliente de Dansons para obtener asistencia.

**ADVERTENCIA:** Desconecte siempre el cable eléctrico antes de abrir la placa de su asador para revisarlo, limpiarlo, darle mantenimiento o repararlo.

**NUNCA** revise, limpie o de mantenimiento a **UN ASADOR CALIENTE.**

PROBLEMA	CAUSA	SOLUCIÓN
El controlador no se enciende.	El asador no está enchufado correctamente.	Compruebe que todos los cables estén firmemente conectados. Compruebe que el asador esté enchufado en un tomacorriente GFCI operativo.
	Ocurrió un corto en el circuito impreso.	El fusible (5 A [tipo norteamericano] o 8 A) debe ser reemplazado manualmente. (Vea el diagrama de panel al final de esta sección.)
	El tomacorriente GFCI sufrió un corto.	Compruebe que todos los cables estén secos y firmemente conectados. Compruebe que el interruptor GFCI suministra un mínimo de 10 A.
Lectura de temperatura. Medición incorrecta.	El interruptor de ajuste de temperatura no está correctamente configurado. El panel indica oF o oC.	El asador debe ser desenchufado. Retire el panel de acceso de la tolva. Retire el panel de control. Cambie el interruptor de temperatura, localizado en la parte trasera del panel, a la temperatura deseada.
Mensaje de error «ER-1»	El asador se ha sobrecalentado, quizás debido a un fuego causado por la grasa o un exceso de combustible.	Apague el asador y déjelo enfriarse. Limpie el interior del asador, retire el exceso de pellets y compruebe la correcta ubicación de todos los componentes.
	El cable de la sonda de asador no establece una conexión.	Compruebe que el cable de la sonda de asador está bien conectado al controlador. Confirme las conexiones de cables y revise si tienen daños.
Mensaje de error «ER-2»	El asador no alcanza los 65 °C / 150 °F durante el periodo de 20 minutos asignado.	Verifique si la tolva tiene suficiente combustible. Verifique si el tornillo sin fin de la tolva está bloqueado o si se mueve correctamente. Verifique la posición de la rejilla de combustión. Verifique que no haya acumulaciones de cenizas u otras obstrucciones en la rejilla y la cesta de combustión. Compruebe la posición del encendedor y si se calienta correctamente. Compruebe el funcionamiento y la velocidad del ventilador. En periodos de frío extremo, el asador puede necesitar un segundo arranque. Verifique la temperatura real de la sonda de asador para confirmar su exactitud. Lave la sonda de ser necesario.
	El asador no permanece encendido o con una temperatura superior a los 65 °C / 150 °F.	Ver lo anterior.
Mensaje de error «ER-3»	Corte de la alimentación.	Corte de electricidad durante el uso. El asador podría haber sido desenchufado antes del apagado del sistema. Verifique que no haya una conexión suelta en el tomacorriente o al interior de la tolva.

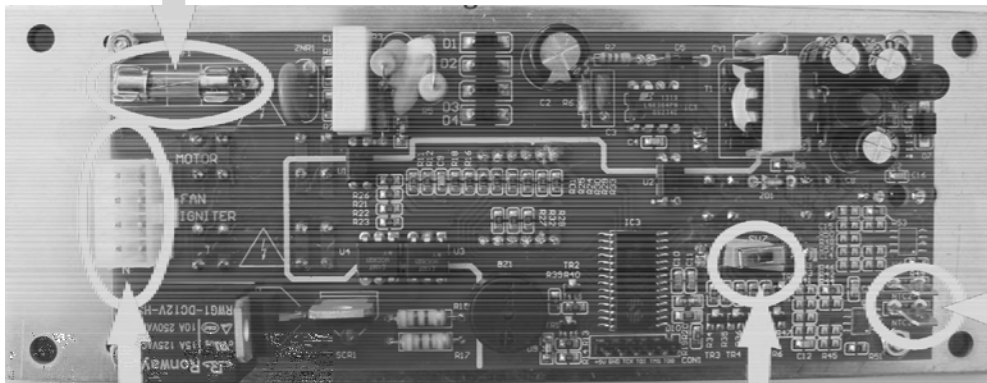


Mensaje de error «noPR»	La sonda para carne no está conectada.	No se está usando la sonda para carne. Compruebe que la sonda está insertada por completo en el panel. Compruebe que el cable no esté perforado, torcido o roto.
El indicador «Actual temp» no cambia.	La sonda de asador interna debe ser limpiada.	Lave la sonda usando un paño delicado o una esponja abrasiva suave, junto con agua caliente y jabón.
	El cable de la sonda está mojado.	Use un secador de cabello para secar los cables de la sonda.
	La sonda de asador está defectuosa.	Reemplace la sonda de asador.
Los ventiladores de enfriamiento se activan solos.	El asador está expuesto a temperaturas elevadas y a la luz directa del sol.	La temperatura interior alcanzó o superó los 54 °C / 130 °F. Esto no daña la unidad. Coloque la unidad en una zona sombreada. Abra la tapa para hacer bajar la temperatura interior. Desenchufe la unidad de la fuente de alimentación.
El asador no alcanza o mantiene una temperatura estable.	Flujo de aire insuficiente a través de la rejilla de combustión.	Verifique que no haya acumulación de cenizas ni otras obstrucciones en la rejilla de combustión, y que se encuentre bien encajada en el cesto de combustión. Asegúrese de que la rejilla y el cesto de combustión estén encajados correctamente sin fugas de aire.  Compruebe el buen funcionamiento del ventilador verificando que está conectado, que la entrada de aire no está bloqueada y que la tolva no está obstruida. Podría tener que limpiar las aspas del ventilador o mover los cables.  Efectúe una prueba rápida. Retire las parrillas de cocción y el asador a la llama. Asegúrese de que todo lo indicado ha sido realizado, arranque el asador, ajuste la temperatura a precalentamiento y espere 10 minutos. Verifique que la llama producida es brillante y vibrante y que es empujada en la dirección opuesta al panel lateral de la tolva.
	Combustible insuficiente o de mala calidad.	Verifique si la tolva tiene suficiente combustible. Verifique el tamaño y la humedad del combustible y si hay presencia de aserrín. Pulse y mantenga el botón «Prime». Asegúrese de que el tornillo sin fin funciona y gira correctamente. Revise y limpie la sonda de temperatura.
	Ajustes de control	Compruebe que el controlador muestra la pantalla de la sonda de asador.
El asador produce humo de color inhabitual (negro) o en exceso.	Acumulación excesiva de grasa o limpieza general deficiente.	Revise y limpie el área de cocción interior del asador. Es una buena idea limpiar y efectuar un quemado controlado del exceso de grasa no visible después de haber cocinado grandes cantidades de alimentos grasos pero deliciosos.
	Calidad de los pellets de madera.	Es una buena idea limpiar y efectuar un quemado controlado del exceso de grasa no visible después de haber cocinado grandes cantidades de alimentos grasos pero deliciosos.
	Rejilla de combustión.	Compruebe que no haya acumulación de combustible en la rejilla de combustión.
Llamaradas frecuentes.	Temperatura de cocción.	Lento y bajo es el método a utilizar. La grasa tiene un punto de inflamación. Mantenga una temperatura inferior a 176 oC / 350 oF cuando cocine alimentos con alto contenido en grasa.
	Grasa o residuos.	Revise y limpie el área de cocción interior del asador. Es una buena idea limpiar y efectuar un quemado controlado del exceso de grasa no visible después de haber cocinado grandes cantidades de alimentos grasos pero deliciosos.
	Asador a la llama.	Compruebe que el asador a la llama está <b>CERRADO</b> por completo.
El encendedor no enciende el fuego.	Rejilla de combustión.	Compruebe que está bien encajada. Compruebe que no haya acumulación de cenizas ni otras obstrucciones.
	Encendedor.	Confirme que el encendedor NO se caliente. NO TOQUE el encendedor o su caja. Se quemará. Verifique la ubicación de la varilla caliente del encendedor en la rejilla de combustión. Retire la placa frontal y compruebe que todas las conexiones de cable estén firmes.

## PANEL

### FUSIBLE DE 5 A 120 V – NORTE AMÉRICA

Cartucho de acción rápida 0,47 cm x 1,9 cm (3/16 pu x 3/4 pu)



Sonda de asador  
Conectores de horquilla

Conexión de mazo de cables de 8 clavijas

Interruptor de temperatura  
Celsius/Fahrenheit

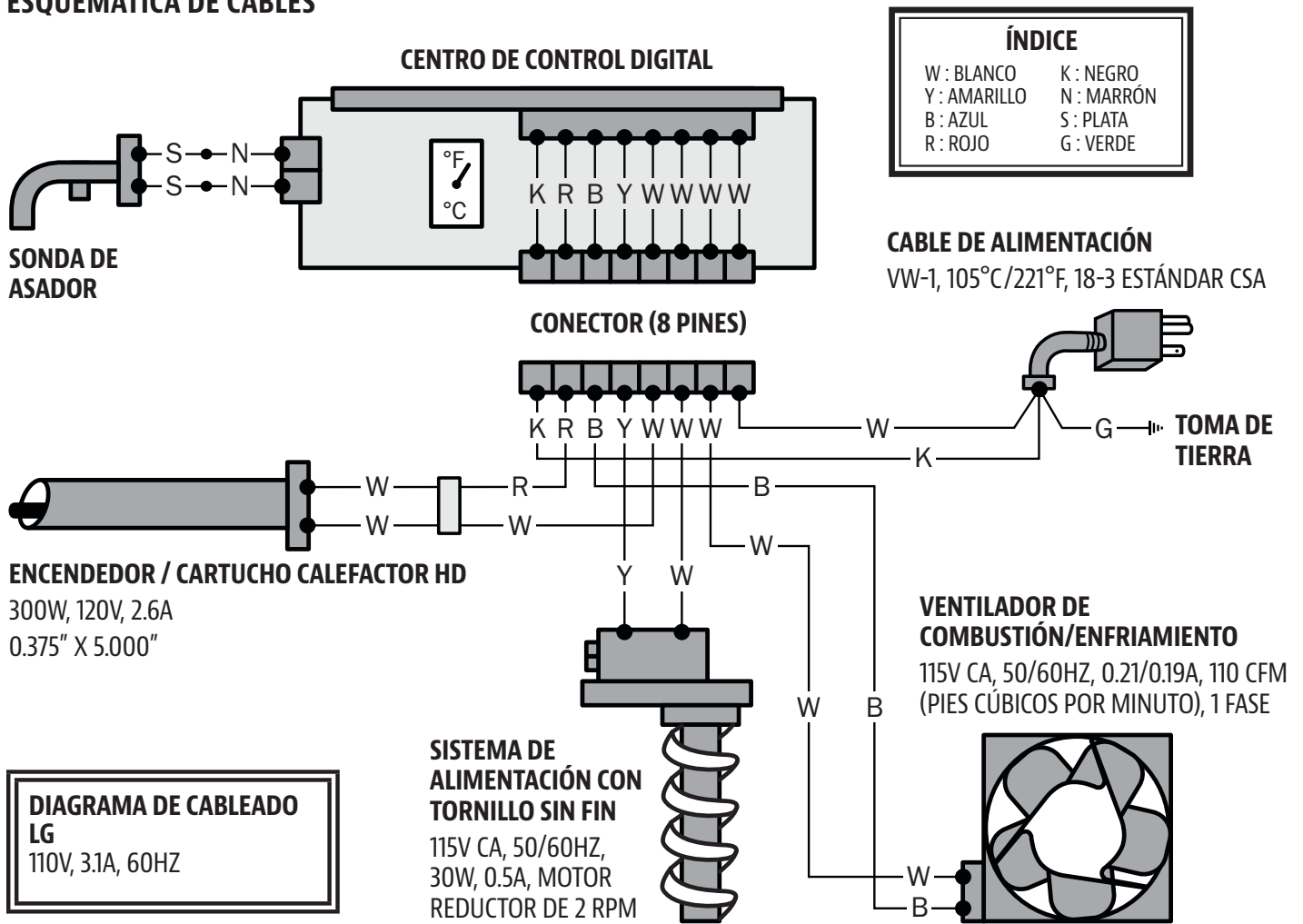
CA neutro  
(Blanco)

- Motor de tornillo sin fin (Amarillo)
- Ventilador (Azul)
- Encendedor (Rojo)
- CA fase (Negro)

El centro de control digital es una pieza de tecnología compleja y valiosa.

Para protegerse contra las sobretensiones y los cortocircuitos, el controlador utiliza un fusible de acción rápida de 0,47 cm x 1,9 cm (3/16 pu x 3/4 pu), 5 A 120 V.

# ESQUEMÁTICA DE CABLES

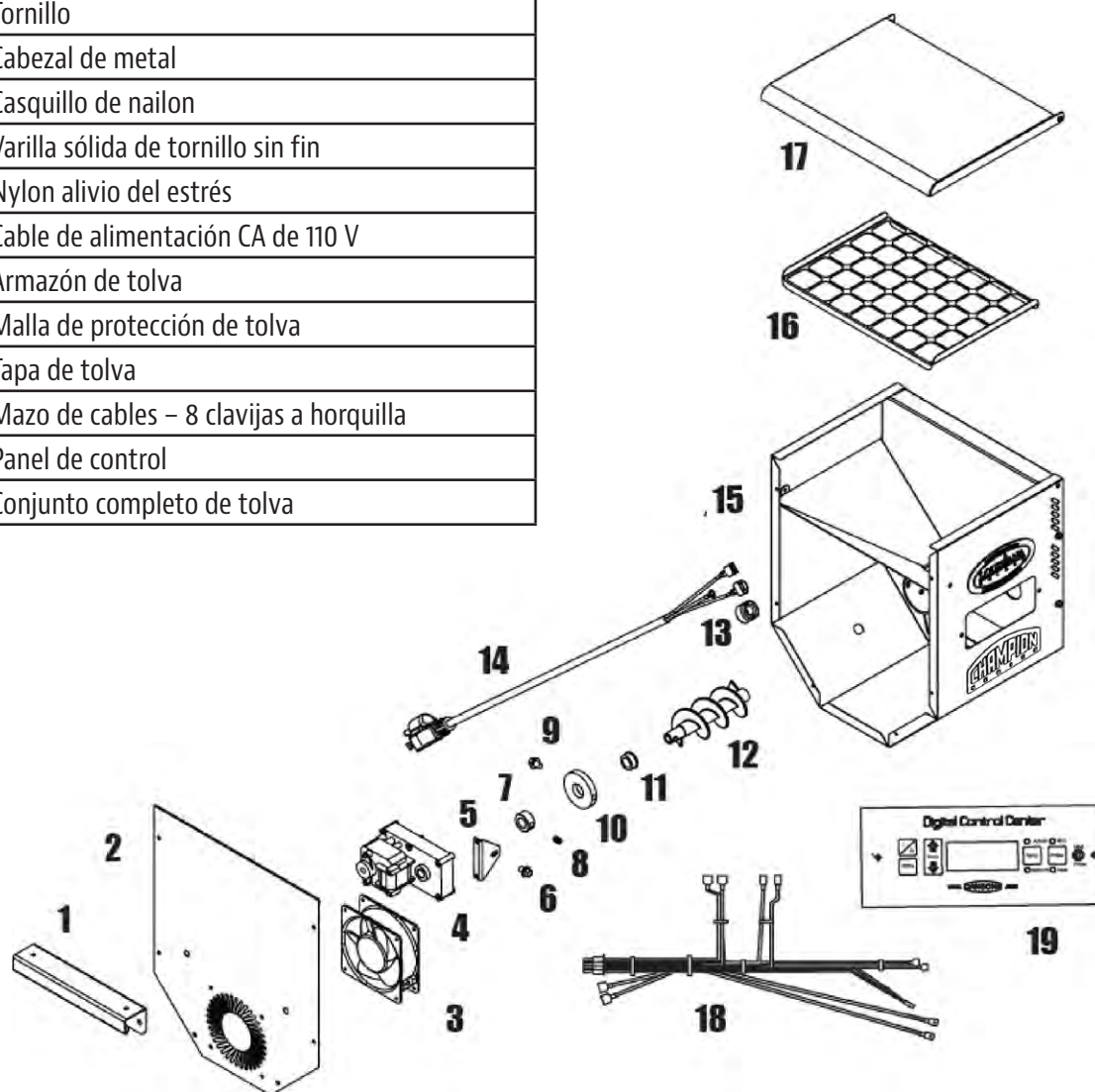


# LISTA DE PIEZAS

## TOLVA DE LA GAMA LG CHAMPION

### REPUESTOS

Artículo	Descripción
1	Mango de tolva
2	Panel de acceso de la tolva
3	Ventilador
4	Motor de tornillo sin fin
5	Soporte de montaje de tornillo sin fin
6	Tornillo
7	Collar de seguridad de metal de 1,58 cm (5/8")
8	Juego de tornillos de 0,39 cm x 1,27 cm (5/32" x 1/2")
9	Tornillo
10	Cabezal de metal
11	Casquillo de nailon
12	Varilla sólida de tornillo sin fin
13	Nylon alivio del estrés
14	Cable de alimentación CA de 110 V
15	Armazón de tolva
16	Malla de protección de tolva
17	Tapa de tolva
18	Mazo de cables – 8 clavijas a horquilla
19	Panel de control
-	Conjunto completo de tolva



# GARANTÍA LIMITADA GARANTÍA LIMITADA

La gama de asadores de pellets de madera LG Champion, fabricados por Dansons Inc., viene con una garantía limitada de cinco (5) años a partir de la fecha de compra por el propietario original solamente, contra defectos en el material y la fabricación sobre todas las partes de acero, (a excepción de la rejilla de combustión), y de tres (3) años sobre los componentes eléctricos. No existen garantías específicas para la sonda de asador, la sonda para carne, la pintura, el acabado de recubrimiento en polvo, la rejilla de combustión, la cubierta del asador y todas las empaquetaduras o contra los daños causados por la corrosión.

## CONDICIONES DE LA GARANTÍA LIMITADA

Durante el periodo de vigencia de la garantía limitada, la responsabilidad de Dansons Inc. se limitará a proporcionar un reemplazo por los componentes cubiertos y defectuosos, F.O.B. punto de embarque. Dentro del periodo de la garantía, Dansons no facturará por la reparación o el reemplazo de las piezas retornadas, flete prepago, si Dansons Inc. determina que la pieza(s) es defectuosa después de haberla examinado. Dansons Inc. no será responsable por los gastos de transporte, mano de obra o derechos de exportación. Con excepción de lo dispuesto en estas condiciones de garantía, la reparación o el reemplazo de las piezas, de la manera y en el periodo de tiempo especificado en este documento, constituirá el cumplimiento de todas las responsabilidades y obligaciones directas o indirectas de Dansons Inc. con respecto a usted.

La garantía entra en vigor en la fecha de compra original y una prueba de compra, o copia de la factura original de compra, será exigida para validar la garantía.

La reparación o reemplazo de una pieza del asador/ahumador de la gama LG no prolonga la garantía limitada más allá de cinco (5) años o tres años (3) a partir de la fecha de compra.

El derrame de líquidos sobre la llama de su asador invalidará esta garantía.

Dansons Inc. toma todas las precauciones para utilizar materiales que retardan la formación de óxido, usando pintura o recubrimiento en polvo para altas temperaturas, donde sea aconsejable. Incluso con estas garantías, los recubrimientos protectores pueden verse comprometidos por distintas sustancias y condiciones fuera del control de Dansons Inc. Las altas temperaturas, los fuegos causados por la grasa, el exceso de humedad, el cloro, los gases industriales, los fertilizantes, los pesticidas para césped y la sal son algunas de las sustancias que pueden afectar la pintura y los recubrimientos de metal. Por estas razones, la garantía limitada no cubre el óxido o la corrosión, a menos que el componente del asador sufra la pérdida de su integridad estructural. De ocurrir una de las situaciones arriba descritas, consulte la sección de mantenimiento de su manual de instrucciones para información sobre la protección del acabado con pintura. Dansons Inc. le recomienda comprar una cubierta de protección total y cubrir su asador cuando no lo utilice. Dansons Inc. también recomienda utilizar pintura para asadores resistente a altas temperaturas para reparar o embellecer su asador.

Las garantías se aplican a un uso doméstico y a un mantenimiento normal del asador y ninguna garantía se aplica a un asador usado con fines comerciales.

## EXCEPCIONES DE LA GARANTÍA LIMITADA

No existe una garantía escrita o implícita sobre el rendimiento de los aparatos LG Champion, en vista de que el fabricante no tiene control sobre la instalación, la utilización, la limpieza, el mantenimiento o el tipo de combustible empleado.

Esta garantía limitada no se aplicará y Dansons no asumirá ninguna responsabilidad si su unidad no fue instalada, utilizada, limpiada y mantenida en estricta concordancia con las instrucciones del fabricante. La combustión de cualquier otro elemento distinto a los pellets de madera puede invalidar la garantía. La garantía no cubre los daños o roturas causados por el uso indebido, el mal manejo o modificaciones.

**El fabricante y los proveedores del comprador declinan toda responsabilidad, legal o de otra índole, por los daños incidentales o consecuenciales a la propiedad o las personas que sean consecuencia del uso de este producto. Toda garantía implícita por la ley, incluyendo pero sin limitarse a las garantías de comercialización o idoneidad, está limitada a un (1) año a partir de la fecha de compra original. Si un reclamo es presentado contra el fabricante basado en la violación de esta garantía o todo otro tipo de garantía expresa o implícita por la ley, el fabricante no será considerado responsable por cualquier daño especial, indirecto o consecuencial u otros daños de cualquier naturaleza que excedan el precio de compra del producto. Todas las garantías del fabricante quedan estipuladas aquí y ningún reclamo será efectuado contra el fabricante en base de cualquier garantía o declaración oral.**



Algunos estados no permiten exclusiones ni limitaciones de los daños incidentales o consecuenciales, ni limitaciones de las garantías implícitas, por lo cual las limitaciones o exclusiones enunciadas aquí pueden no aplicarse a su caso particular. Esta garantía limitada le confiere derechos legales específicos y es posible que usted tenga otros derechos, los cuales varían de un estado a otro.

Las garantías limitadas de un (1) año sustituyen toda otra garantía expresa o implícita, de ley u otra naturaleza, y Dansons no autoriza a ninguna persona o representante a asumir, a nombre de Dansons, cualquier obligación o responsabilidad en relación con la venta del asador de pellets de madera. Esto significa que ninguna garantía, expresa o implícita, se aplica a las personas que compran el producto de alguien que no sea Dansons o un concesionario autorizado de Dansons.

## AUSTRALIA

Nuestros productos vienen con garantías que no se pueden excluir bajo la Ley del consumidor de Australia. Ustedes están autorizados para reemplazarlos u otorgar una devolución o reembolso en caso de falla mayor y en compensación por cualquier otra falla o daño previsible. También, están autorizados para hacer reparar los productos o reemplazarlos si éstos no cumplen con una calidad aceptable y si la falla no es motivo de una deficiencia mayor.

## PROCEDIMIENTO PARA OBTENER EL SERVICIO DE GARANTÍA

Llame al concesionario de LG Champion más cercano para solicitar la reparación o el reemplazo de sus piezas cubiertas por la garantía.

### Esté listo para proporcionar la siguiente información:

1. Copia de la factura de venta.
2. Nombre del comprador, modelo y número de serie del asador y fecha de compra.
3. Una descripción exacta del problema.

***Esta garantía limitada le confiere derechos legales específicos y es posible que usted tenga otros derechos, los cuales varían de un estado a otro.***

## NÚMERO DE SERIE Y NÚMERO DE MODELO

El número de serie y el número de modelo de su LG Champion se encuentran en la parte interior de la tapa de la tolva. Asegúrese de inscribirlos en el espacio proporcionado aquí abajo para ayudarle en caso de pérdida o daño.

**¡Engrape asimismo su factura de compra original a esta página para que no la pierda!**

---

MODELO

---

NÚMERO DE SERIE

---

FECHA DE COMPRA

---

CONCESIONARIO AUTORIZADO





Distributed by:  
Costco Wholesale Corporation  
P.O. Box 34535  
Seattle, WA 98124-1535  
USA  
1-800-774-2678  
[www.costco.com](http://www.costco.com)

Imported by / Importé par :  
Costco Wholesale Canada Ltd.\*  
415 W. Hunt Club Road  
Ottawa, Ontario  
K2E 1C5, Canada  
1-800-463-3783  
[www.costco.ca](http://www.costco.ca)

\* faisant affaire au Québec sous le nom Les Entrepôts Costco

Imported by:  
Costco Wholesale UK Ltd /  
Costco Online UK Ltd  
Hartspring Lane  
Watford, Herts  
WD25 8JS  
United Kingdom  
01923 213113  
[www.costco.co.uk](http://www.costco.co.uk)

# IMPORTANT

## DO NOT RETURN PRODUCT TO STORE

Dansons Inc. stands behind our authorized dealers. Many dealers do stock replacement parts and accessories. We strongly suggest that if you need to order parts, options, or require service that you first consult your local dealer. Many dealers do stock current accessories, fuel and service parts.

For all other questions, comments, or inquiries, please contact Dansons Inc. directly. Our Louisiana Grills Customer Service department is available Monday to Friday 8 am – 5pm MST.

**Contact Louisiana Grills Customer Service (English/French)**

[service@louisiana-grills.com](mailto:service@louisiana-grills.com)

**TOLL FREE: 1-877-303-3134**

**TOLL FREE FAX: 1-877-303-3135**

# IMPORTANT

## NE RETOURNEZ PAS LE PRODUIT AU MAGASIN

Dansons Inc. soutient ses concessionnaires agréés. De nombreux concessionnaires offrent des pièces de rechange, divers types de carburant et des accessoires. Nous recommandons fortement que vous communiquiez d'abord avec votre concessionnaire pour commander des pièces ou des accessoires et faire réparer votre barbecue.

Pour toute autre questions, commentaires ou demandes de renseignements, veuillez communiquer avec Dansons Inc. directement. Le service à la clientèle Louisiana Grills est ouvert du lundi au vendredi, de 8 h à 17 h (heure des Rocheuses).

**Communiquez avec service à la clientèle Louisiana Grills (Anglais/français).**

[service@louisiana-grills.com](mailto:service@louisiana-grills.com)

**NUMÉRO SANS FRAIS : 1-877-303-3134**

**TÉLÉCOPIEUR SANS FRAIS : 1-877-303-3135**

# ¡IMPORTANTE!

## NO DEVUELVA EL PRODUCTO A LA TIENDA

Dansons Inc. respalda a nuestros distribuidores autorizados. Muchas tiendas tienen piezas repuesto y accesorios.

Para el resto de preguntas, comentarios o consultas, por favor contactar Dansons Inc. directamente. Nuestro departamento de servicio al cliente Louisiana Grills está disponible de lunes a viernes de 8:00 a.m. a 5:00 p.m. tiempo del Pacífico.


**(Teléfono y servicio no válidos en México)**

**Contacte a servicio al cliente Louisiana Grills (Inglés/Francés).**

[service@louisiana-grills.com](mailto:service@louisiana-grills.com)

**LLAMADA GRATUITA: 1-877-303-3134**

**FAX GRATUITO: 1-877-303-3135**

 **Proposition 65 Warning:** Combustion bi-products produced when using this product contain chemicals known to the State of California to cause cancer, birth defects, and other reproductive harm. This product contains chemicals known to the State of California to cause cancer, birth defects or other reproductive harm. Wash hands after handling this product.