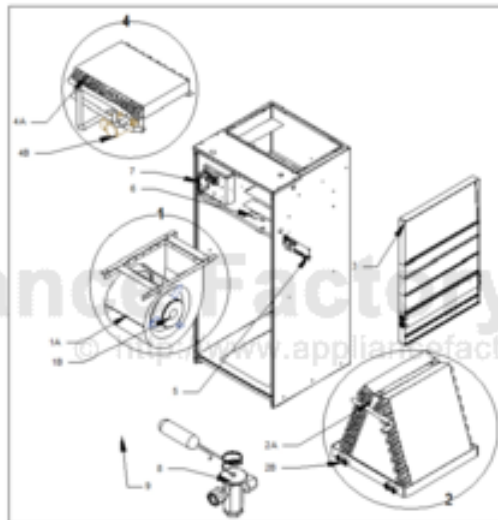


This Owner's Manual is provided and hosted by Appliance Factory Parts.



COMFORT-AIRE HWCG60X0A Owner's Manual

[Shop genuine replacement parts for COMFORT-AIRE
HWCG60X0A](#)



[Find Your COMFORT-AIRE HVAC Parts - Select From 1486 Models](#)

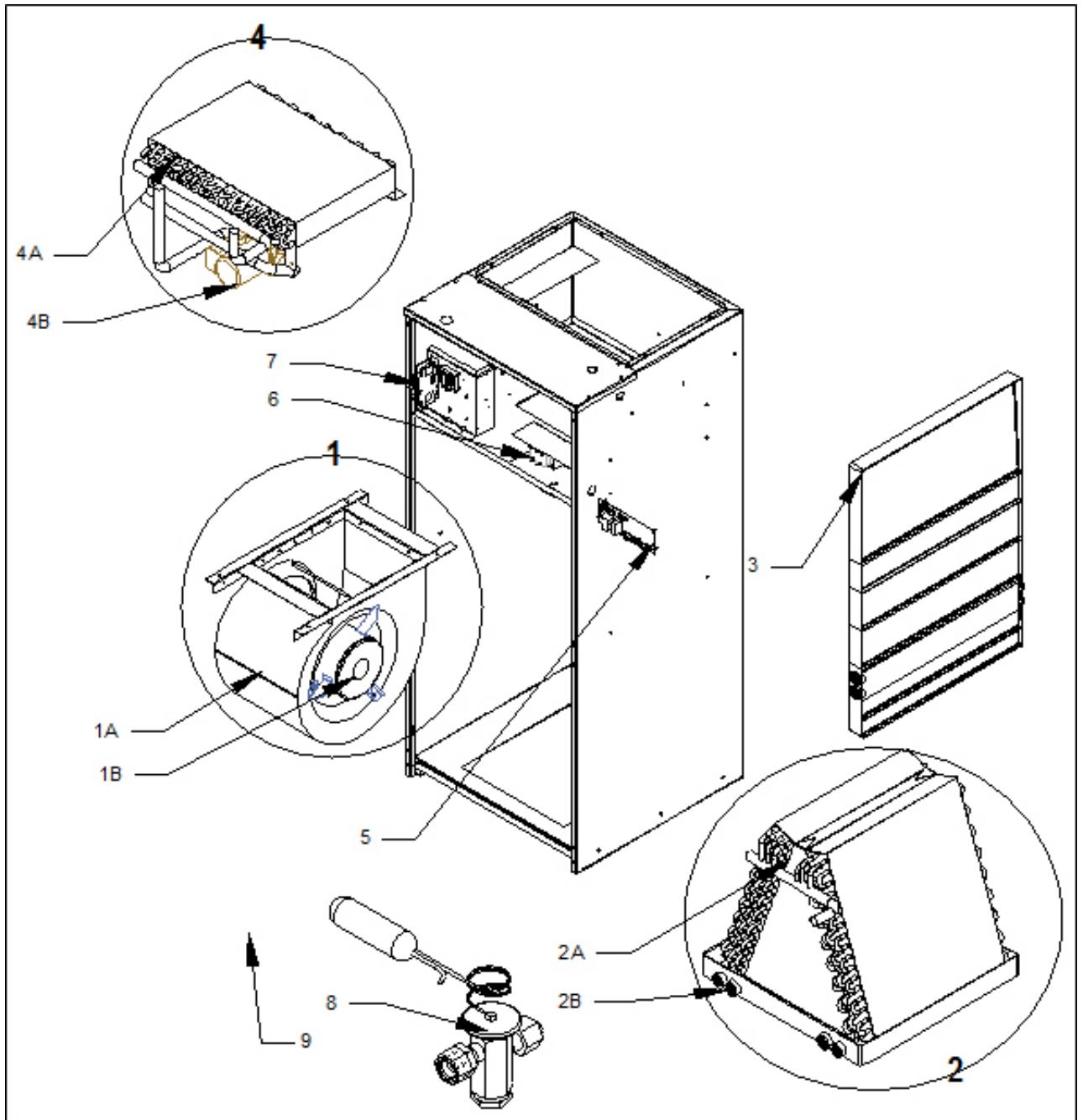
----- Manual continues below -----

HEAT CONTROLLER

**REPLACEMENT
PARTS LIST**

**Multi-Position Air Handler with
Hyrdonic Heat with X13 Motor**
HWCG60X0A

EXPLODED VIEW



REPLACEMENT PARTS

Location	Part No.	Description	
1	110015	ASSY, BLOWER WHEEL & MOTOR	
1A	8527	BLOWER WHEEL & HOUSING	
1B	8647	MOTOR - 120V - 1 HP	
2	129094	ASSY, A COIL WITH DRAIN PAN	
2B	8593	23" PLASTIC DRAIN PAN	
3	129793	METAL PAN +6"	
4	129026	ASSY, 3 ROW HYDRO COIL W/O PUMP	
4B		NOT APPLICABLE	
5	8719	MICROPROCESSOR BOARD	
6	8247	40VA, 120V TRANSFORMER	
7	8518	1 POLE, 15 AMP, CIRCUIT BREAKER	
8	4202	NON BLEED R-410A TXV	
9		NOT APPLICABLE	
NOT SHOWN	8432	2 POLE TERMINAL BLOCK	
	8517	1 POLE TERMINAL BLOCK	
	8231*	BLOWER TIME DELAY RELAY	
	128058	2 SPEED RELAY KIT	
	8545	FREEZESTAT THERMOSTAT	
	8567	PUMP REPLACEMENT CARTRIDGE	
	126599	DOWNFLOW COIL KIT	
	127028	WIRING HARNESS - FEMALE SOCKET	
	127030	WIRING HARNESS 2 WIRE MALE PLUG	NO HEAT KIT
	127038	WIRING HARNESS X-13 MOTOR MAIN	
	127041	WIRING HARNESS X-13 SPEED TAP	DUAL SPEED

* NOT APPLICABLE ON UNITS POST 1/12/11

Due to ongoing product improvements, specifications and dimensions are subject to change and correction without notice or incurring obligations. Determining the application and suitability for use of any product is the responsibility of the installer. Additionally, the installer is responsible for verifying dimensional data on the actual product prior to beginning any installation preparations.

Incentive and rebate programs have precise requirements as to product performance and certification. All products meet applicable regulations in effect on date of manufacture; however, certifications are not necessarily granted for the life of a product. Therefore, it is the responsibility of the applicant to determine whether a specific model qualifies for these incentive/rebate programs.

HEAT CONTROLLER

1900 Wellworth Ave., Jackson MI 49203 • Ph. 517-787-2100 • www.heatcontroller.com

A  Company