

This Owner's Manual is provided and hosted by [Appliance Factory Parts](#).



COMFORT-AIRE CCG48TC1E Owner's Manual

[Shop genuine replacement parts for COMFORT-AIRE
CCG48TC1E](#)



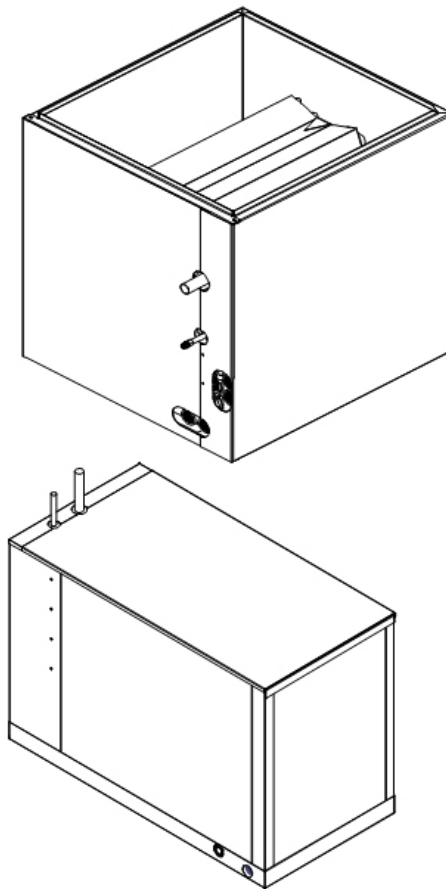
[Find Your COMFORT-AIRE HVAC Parts - Select From 1486 Models](#)

----- Manual continues below -----

HEAT CONTROLLER

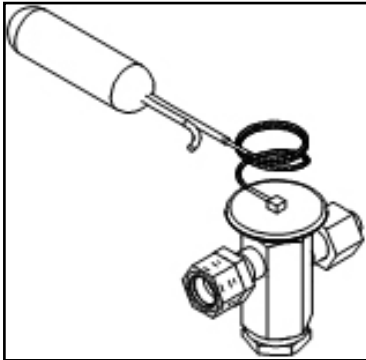
REPLACEMENT PARTS LIST

CCG / VCG / MCG Coils



REPLACEMENT PARTS - Expansion Devices

Thermal Expansion Valve (TXV)

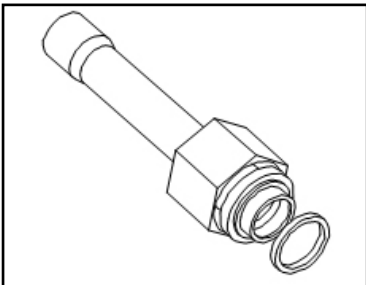


| Part No. | Description |
|-------------|-------------------------------------|
| X5-3 (4200) | 1.5-3.5 Ton, R-410A NON BLEED VALVE |
| X5-5 (4202) | 4 & 5 Ton, R-410A NON BLEED VALVE |

Note:

- 1) While ordering a replacement TXV, ensure that the valve ordered is compatible with the refrigerant in the system.
- 2) Refer to the product specific installation manual for field installation/replacement of a TXV.

Tail Piece



| Part No. | Description |
|----------|--------------------------------|
| 4444 | ELIMINATOR TAIL PIECE |
| 4151 | TAIL PIECE WITH SREEN |
| 4451 | NUT FOR ELIMINATOR |
| 4113 | TEFLON SEAL O-RING |
| TP-001 | ASSY, TAIL PIECE, NUT & O-RING |

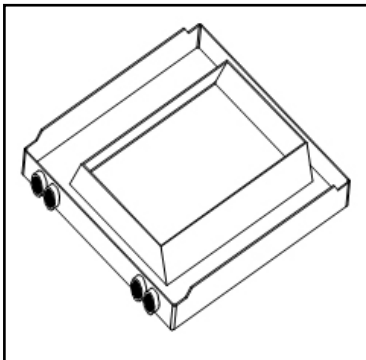
REPLACEMENT PARTS - Drain Pans

Drain Pans - Must Include "Description" with Part # when Ordering!

Note: 1) As detailed in the Installation manual, Plastic drain pans should not be used in conjunction with Oil Furnaces or in application where temperature exceeds 260°F. In such applications, metal drain pans should be used.

"P" or GLPP= Plastic Pan "MR"= Metal Right Side Drain "MTL"= Metal Pan "DD-R"= Double Drain Right Side

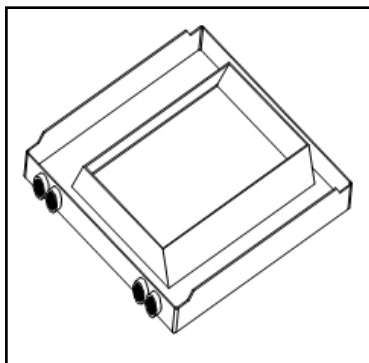
CCG Models



| Model # | Part No. | Description |
|-----------|----------|------------------------|
| CCG24TA1E | Z30 | 13" GLPP |
| CCG24TB1E | Z31 | 16" GLPP |
| CCG24TA2E | Z7 DD-R | 13"MTL |
| CCG36TA1E | Z30 P | 13"GLPP |
| CCG36TB1E | Z31 P | 16" GLPP |
| CCG36TC1E | Z32 P | 19.5" GLPP Replacement |
| CCG36TB2E | Z14 DD-R | 16" MTL |
| CCG36TC2E | Z32 P | 19.5" GLPP Replacement |
| CCG48TB1E | Z31 P | 16" GLPP |
| CCG48TC1E | Z32 P | 19.5" GLPP Replacement |
| CCG48TD1E | Z33 P | 23" GLPP |
| CCG48TB2E | Z14 DD-R | 16" MTL |

REPLACEMENT PARTS - Drain Pans

VCG Models



| Model # | Part No. | Description |
|-----------|----------|-------------|
| VCG24TA1E | Z30 P | 13" GLPP |
| VCG24TB1E | Z31 P | 16" GLPP |
| VCG24TB2E | Z31 MR | 16-3/4" MTL |
| VCG36TA1E | Z30 P | 13" GLPP |
| VCG36TB1E | Z31 MR | 16-3/4" MTL |
| VCG36TC1E | Z32 P | 16" GLPP |
| VCG36TB2E | Z31 MR | 16-3/4" MTL |
| VCG36TC2E | Z32 P | 19.5" GLPP |
| VCG48TB1E | Z31 P | 16" GLPP |
| VCG48TC1E | Z32 P | 19.5" GLPP |
| VCG48TD1E | Z33 P | 23" GLPP |
| VCG48TC2E | Z32 P | 19.5" GLPP |
| VCG60TC1E | Z32 P | 19.5" GLPP |
| VCG60TD1E | Z33 P | 23" GLPP |

MCG Models

| Model # | Part No. | Description | Horizontal Part # | Description |
|-----------|----------|-----------------|-------------------|--------------------|
| MCG24TA1E | Z30 P | 13" GLPP | Z40 P | 17X19.625 Horz P |
| MCG24TB1E | Z31 MR | 16-3/4" MTL | Z40 P | 17X19.625 Horz P |
| MCG24TA2E | Z7 DD-R | 13" MTL | Z40 MTL | 17X19.625 Horz MTL |
| MCG24TB2E | Z31 MR | 16-3/4" MTL | Z40 MTL | 17X19.625 Horz MTL |
| MCG36TA1E | Z30 P | 13" GLPP | Z41P | 21X19.625 Horz P |
| MCG36TB1E | Z31 P | 16" GLPP | Z41P | 21X19.625 Horz P |
| MCG36TC1E | Z32 P | 19.5" GLPP | Z41P | 21X19.625 Horz P |
| MCG36TB2E | Z31 MR | 16-3/4" MTL | Z41 MTL | 21X19.625 Horz MTL |
| MCG36TC2E | Z32 P | 19.5" GLPP | Z41P | 21X19.625 Horz P |
| MCG48TB1E | Z31 P | 16" GLPP | Z42P | 25X19.625 Horz P |
| MCG48TC1E | Z32 P | 19.5" GLPP | Z42P | 25X19.625 Horz P |
| MCG48TD1E | Z33 P | 23" GLPP | Z42P | 25X19.625 Horz P |
| MCG48TB2E | Z31 MR | 16-3/4" MTL | Z42 MTL | 25X19.625 Horz MTL |
| MCG48TC2E | Z32 P | 19.5" GLPP | Z42P | 25X19.625 Horz P |
| MCG48TD2E | Z33 P | 23" GLPP | Z42P | 25X19.625 Horz P |
| MCG60TC1E | Z32 P | 19.5" GLPP | Z43P | 28X19.625 Horz P |
| MCG60TD1E | Z33 P | 23" GLPP | Z43P | 28X19.625 Horz P |
| MCG60TC2E | Z38 DD | 20-1/4X21.375 | Z44 MTL | 28X21.625 Horz MTL |
| MCG60TD2E | Z20 DD | 23-1/2 X 21.375 | Z44 MTL | 28X21.625 Horz MTL |

Misc.

| Part No. | Description |
|----------|--------------------------------|
| 126599 | DOWNFLOW KIT - 3" X 16" PLATES |

Due to ongoing product improvements, specifications and dimensions are subject to change and correction without notice or incurring obligations. Determining the application and suitability for use of any product is the responsibility of the installer. Additionally, the installer is responsible for verifying dimensional data on the actual product prior to beginning any installation preparations.

Incentive and rebate programs have precise requirements as to product performance and certification. All products meet applicable regulations in effect on date of manufacture; however, certifications are not necessarily granted for the life of a product. Therefore, it is the responsibility of the applicant to determine whether a specific model qualifies for these incentive/rebate programs.

HEAT CONTROLLER

1900 Wellworth Ave., Jackson MI 49203 • Ph. 517-787-2100 • www.heatcontroller.com

A  Company