

This Owner's Manual is provided and hosted by [Appliance Factory Parts](http://ApplianceFactoryParts.com).



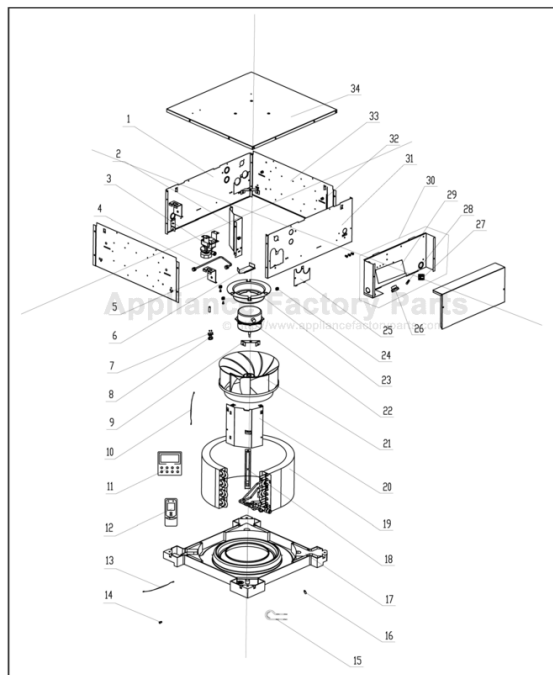
COMFORT-AIRE B-VFH12CA-1 Owner's Manual

[Shop genuine replacement parts for COMFORT-AIRE
B-VFH12CA-1](#)

DAI

Parts List - B-VFH12CA-1

■ EXPLODED VIEW



2

[Find Your COMFORT-AIRE HVAC Parts - Select From 1486 Models](#)

----- Manual continues below -----

Comfort-Aire®

Century®

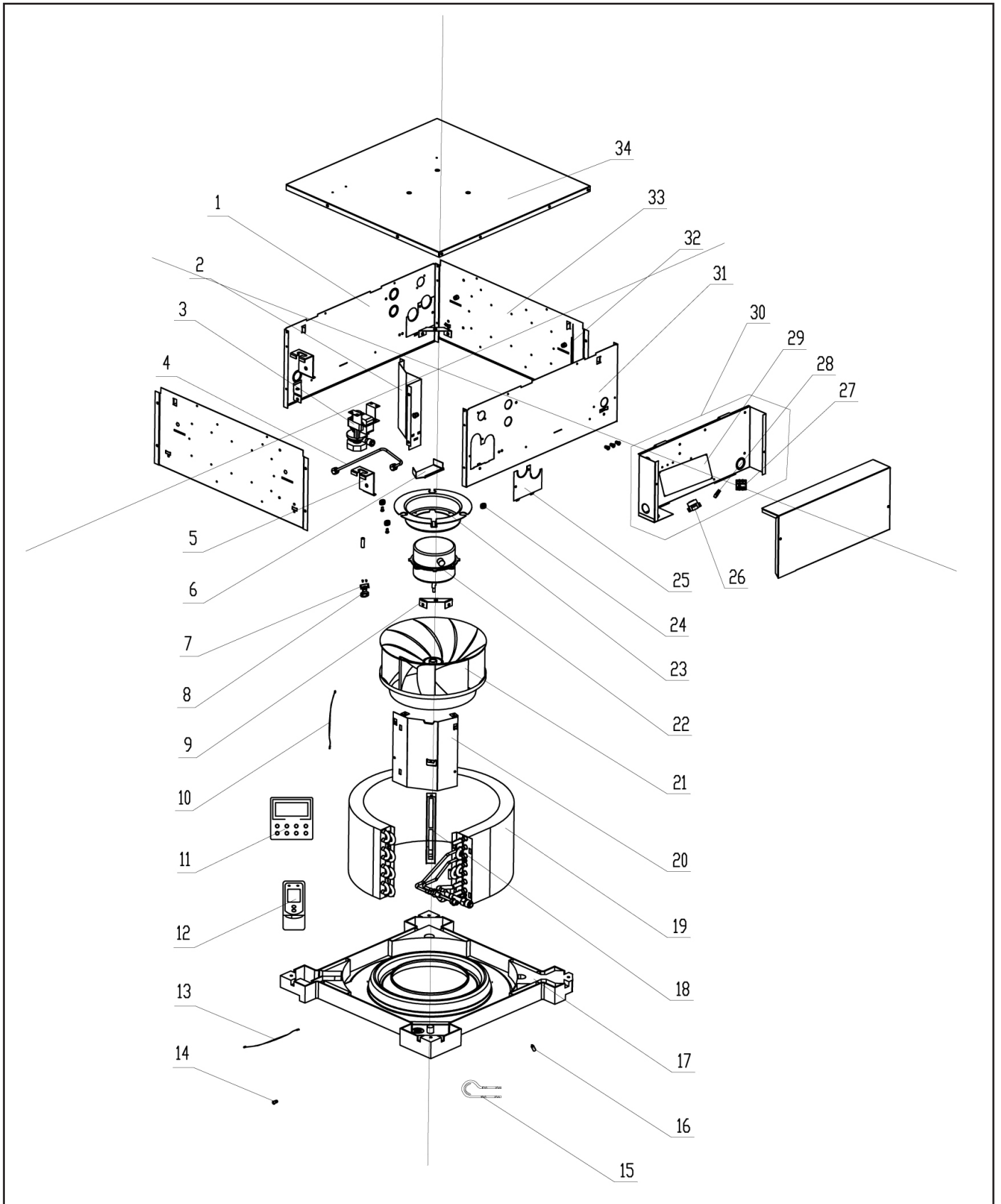
MARS®
Delivering Confidence

REPLACEMENT PARTS LIST

**InverterFlex Series®
Indoor Ceiling Cassette
Heat Pumps**

B-VFH12CA-1

EXPLODED VIEW



REPLACEMENT PARTS

Location	Part Name	Quantity	Part No.
1	Front Side Plate	1	01302741
2	Right Baffle Assy	1	01362704
3	Water Pump	1	43130320
4	Pump Drainpipe	1	05232722
5	Body Installing Support	4	01332705
6	Pump Support Assy	1	01332708
7	Liquid Level Switch Support	1	24212705
8	Water Level Switch	1	450127011
9	Water Tray Support	4	01332706
10	Temperature Sensor	1	390001982G
11	Wired Remote	1	30296317L08294
12	Remote Controller (wired controller)	1	305100501_L08294
13	Ambient Temperature Sensor	1	3900019813
14	Filter Sub-Assy	1	11120012
15	Clamp (power cord)	1	71010105
17	Water Tray Assy	1	20182704
18	Evaporator Support	1	01072714
19	Evaporator Assy	1	01024307
20	Evaporator Connection Board	1	01072713
21	Centrifugal Fan	1	10312702
22	Fan Motor	1	1570411401
23	Motor Support	1	01702702
24	Motor Gasket	3	76712705
25	Tube Exit Plate Assy	1	01382719
26	Transformer	1	43110257
27	Terminal Board	1	420111041
28	Capacitor CBB61	1	33010089
29	Main Board	1	30226354
30	Electric Box Assy	1	01399536
31	Front Side Plate	1	01314211
32	Pass WirePlate	1	01362701
33	Right Side Plate Sub-Assy	2	01302743
34	Seat Board Sub-Assy	1	01222712

Due to ongoing product improvements, specifications and dimensions are subject to change and correction without notice or incurring obligations. Determining the application and suitability for use of any product is the responsibility of the installer. Additionally, the installer is responsible for verifying dimensional data on the actual product prior to beginning any installation preparations.

Incentive and rebate programs have precise requirements as to product performance and certification. All products meet applicable regulations in effect on date of manufacture; however, certifications are not necessarily granted for the life of a product. Therefore, it is the responsibility of the applicant to determine whether a specific model qualifies for these incentive/rebate programs.

Comfort-Cire®  **Century**®

1900 Wellworth Ave., Jackson, MI 49203 • Ph. 517-787-2100 • www.marsdelivers.com

