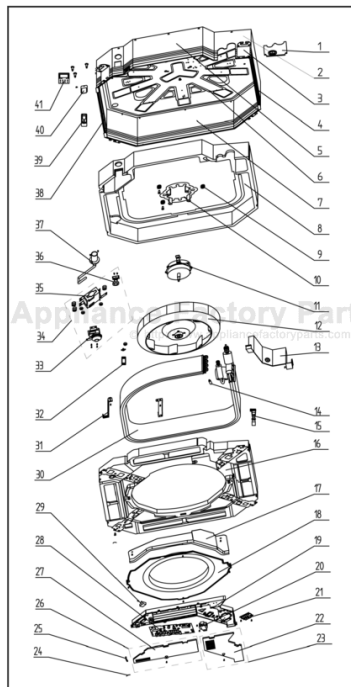


This Owner's Manual is provided and hosted by [Appliance Factory Parts](http://ApplianceFactoryParts.com).



COMFORT-AIRE B-VFH24CA-1 Owner's Manual

[Shop genuine replacement parts for COMFORT-AIRE
B-VFH24CA-1](#)



[Find Your COMFORT-AIRE HVAC Parts - Select From 1486 Models](#)

----- Manual continues below -----

Comfort-Aire®

Century®

MARS®
Delivering Confidence

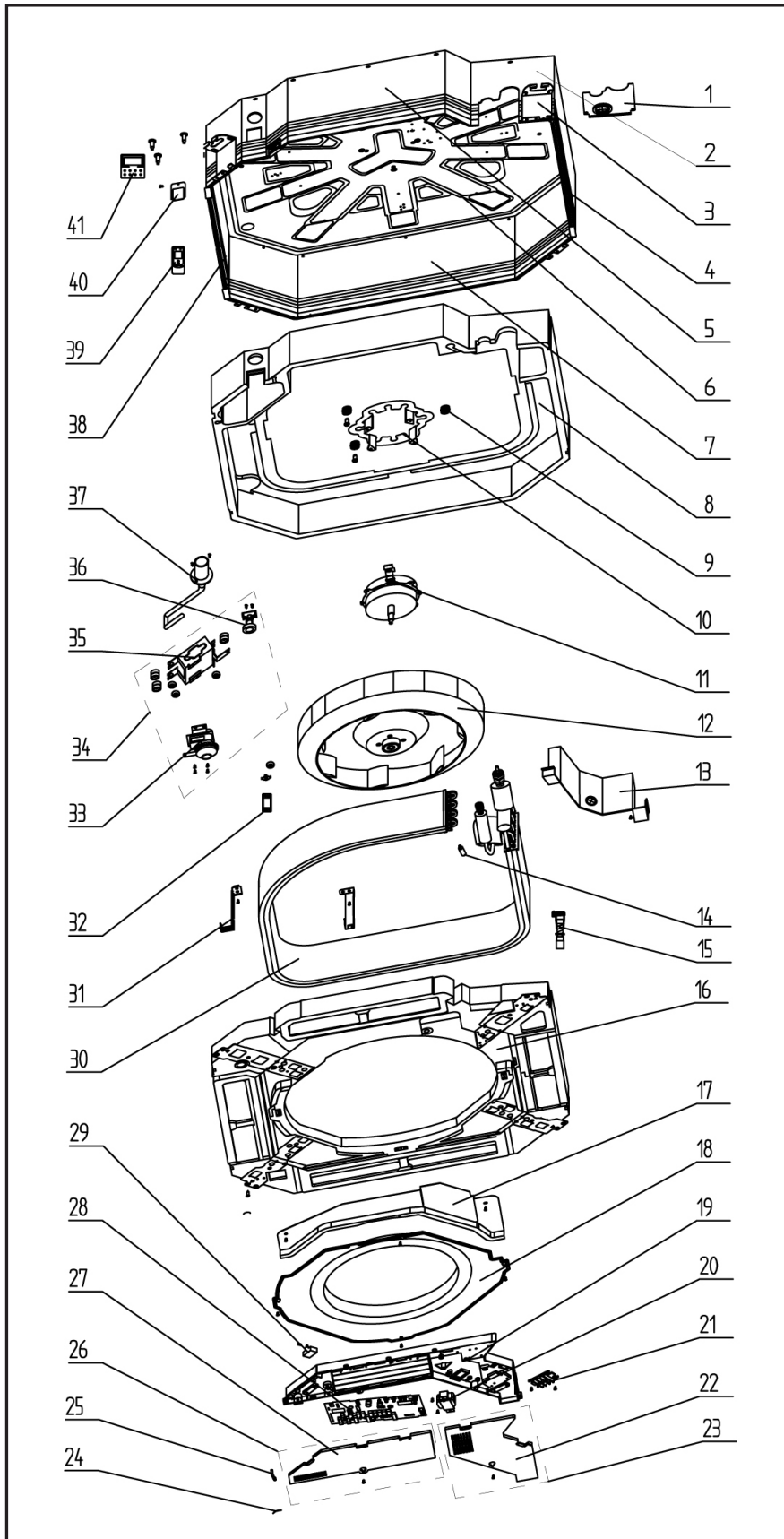
REPLACEMENT PARTS LIST

InverterFlex Series®
Indoor Ceiling Cassette

B-VFH24CA-1

Heat Pumps

EXPLODED VIEW



REPLACEMENT PARTS

Location	Part Name	Quantity	Part No.
1	Tube Exit Plate Assy	1	0138271502
2	Shell Assy	1	01432704
3	Body Installing Plate	4	01332701
4	Front Side Plate assy	1	01302718
5	Left Side Plate Assy	1	01302715
6	Base Plate Assy	1	01222701
7	Rear Side Plate Assy	1	01302714
8	Bottom Foam Assy	1	52012722
9	Motor Gasket	4	76712711
10	Motor Support	1	01702701
11	Fan Motor	1	15704102
12	Centrifugal Fan	1	10312705
13	Connected Board Assy of Evaporator	1	01074042
14	Filter Sub-Assy	1	11120012
15	Drain Hose Sub-Assy	1	05232702
16	Water Tray Assy	1	20182701
17	Electric Base Plate	1	01412721
18	Diversion Circle	1	10372701
19	Electric Box Assy	1	01399400006
20	Transformer	1	4311023303
21	Terminal Board	1	42010196
22	Electric Box Cover	1	20102702
23	Electric Box Cover Sub-Assy1	1	20122054
24	Temperature Sensor	1	390001982G
25	Ambient Temperature Sensor	1	390001977
26	Electric Box Cover Sub-Assy2	1	20122055
27	Cover of Electric Box II	1	20102703
28	Main Board	1	30226340
29	Capacitor CBB61	1	33010027
30	Evaporator Assy	1	01029400012
31	Evaporator Support Assy	2	01072703
33	Water Pump	1	43130324
34	Water Pump Assy	1	01332752
35	Pump Support	1	01329416
36	Water Level Switch	1	45018012
37	Pump Drainpipe	1	05230026
38	Right Side Plate Assy	1	01302716
39	Remote Controller	1	305100501_L08294
40	Pump Cover Board Assy	1	01252713
41	Wired Remote	1	30296317L08294
Not Shown	Signal Wire for Thermostat	1	40010232

Due to ongoing product improvements, specifications and dimensions are subject to change and correction without notice or incurring obligations. Determining the application and suitability for use of any product is the responsibility of the installer. Additionally, the installer is responsible for verifying dimensional data on the actual product prior to beginning any installation preparations.

Incentive and rebate programs have precise requirements as to product performance and certification. All products meet applicable regulations in effect on date of manufacture; however, certifications are not necessarily granted for the life of a product. Therefore, it is the responsibility of the applicant to determine whether a specific model qualifies for these incentive/rebate programs.

Comfort-Cire®  Century®

1900 Wellworth Ave., Jackson, MI 49203 • Ph. 517-787-2100 • www.marsdelivers.com

