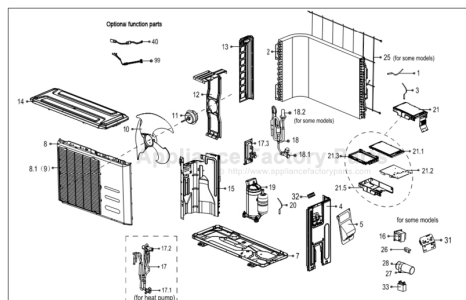


This Owner's Manual is provided and hosted by [Appliance Factory Parts](http://ApplianceFactoryParts.com).



COMFORT-AIRE A-SVH12SA-1 Owner's Manual

[Shop genuine replacement parts for COMFORT-AIRE
A-SVH12SA-1](#)



[Find Your COMFORT-AIRE HVAC Parts - Select From 1486 Models](#)

----- Manual continues below -----

Comfort-Aire®

Century®

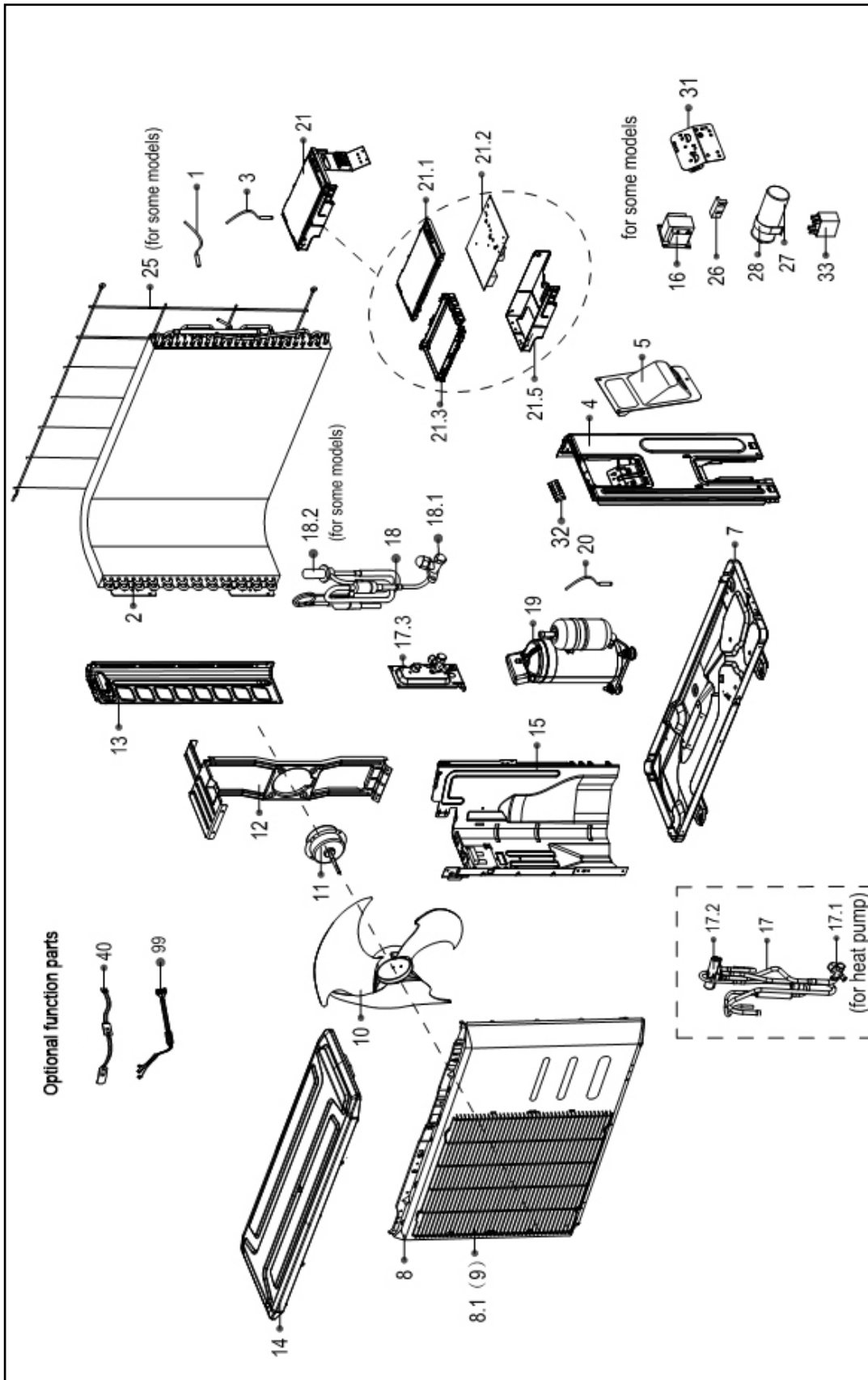
MARS®
Delivering Confidence

REPLACEMENT PARTS LIST

**Single Zone Ductless Mini-Split
with Inverter Technology**

A-SVH12SA-1

EXPLODED VIEW



REPLACEMENT PARTS

Location	Part Name	Quantity	Part No.
1	Room temperature sensor	1	11201007002321
2	Condenser assembly	1	15822000003518
3	Pipe temperature sensor	1	11201007002320
4	Right clapboard assembly	1	12222000006249
5	Big handle assembly	1	12222000005102
7	Chassis assembly	1	12222000006485
8	Front panel assembly	1	12222000004842
9	Air outlet grille	1	12222000007424
10	Axial flow fan	1	12100105000057
11	Single phase asynchronous motor	1	11002012009060
12	Supporter subassembly of fan motor	1	12222000008924
13	Left supporter	1	12222000006244
14	Top cover assembly	1	12222000006246
15	Partition board assembly	1	12222000006484
17	4-way valve assembly	1	15422000004815
17.1	Gas valve	1	15500204000058
17.2	4-way valve	1	15500216000028
17.3	Valve plate	1	12222000002571
18	Liquid valve assembly	1	15422000004816
18.1	Liquid valve	1	15500208000028
19	DC inverter rotary compressor	1	11103020000034
20	Discharge temperature sensor	1	11201007000005
21	Electronic control box subassembly	1	17222000A16550
21.1	Cover of electronic control box	1	12222000001455
21.2	Outdoor main control board subassembly	1	17122000A13674
21.3	Support of electronic control box	1	12122000006913
21.5	Electronic installing box subassembly	1	12222000001311
25	Rear net	1	12222000003986
31	Terminal board	1	12222000002259
32	Wire joint	1	17400401000075
33	Capacitor of fan motor	1	17400101000019
40	Crankcase electric heater	1	17402001A00003
99	Compressor wire subassembly	1	17401203000802

Due to ongoing product improvements, specifications and dimensions are subject to change and correction without notice or incurring obligations. Determining the application and suitability for use of any product is the responsibility of the installer. Additionally, the installer is responsible for verifying dimensional data on the actual product prior to beginning any installation preparations.

Incentive and rebate programs have precise requirements as to product performance and certification. All products meet applicable regulations in effect on date of manufacture; however, certifications are not necessarily granted for the life of a product. Therefore, it is the responsibility of the applicant to determine whether a specific model qualifies for these incentive/rebate programs.

Comfort-Cire® **Century**

1900 Wellworth Ave., Jackson, MI 49203 • Ph. 517-787-2100 • www.marsdelivers.com

