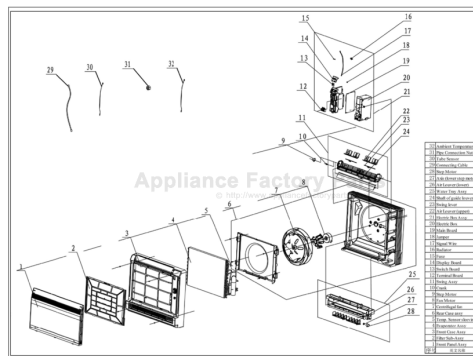


This Owner's Manual is provided and hosted by [Appliance Factory Parts](http://ApplianceFactoryParts.com).



# COMFORT-AIRE B-VFH09FA-1 Owner's Manual

[Shop genuine replacement parts for COMFORT-AIRE  
B-VFH09FA-1](#)



[Find Your COMFORT-AIRE HVAC Parts - Select From 1486 Models](#)

----- Manual continues below -----

---

*Comfort-Aire*®

Century®

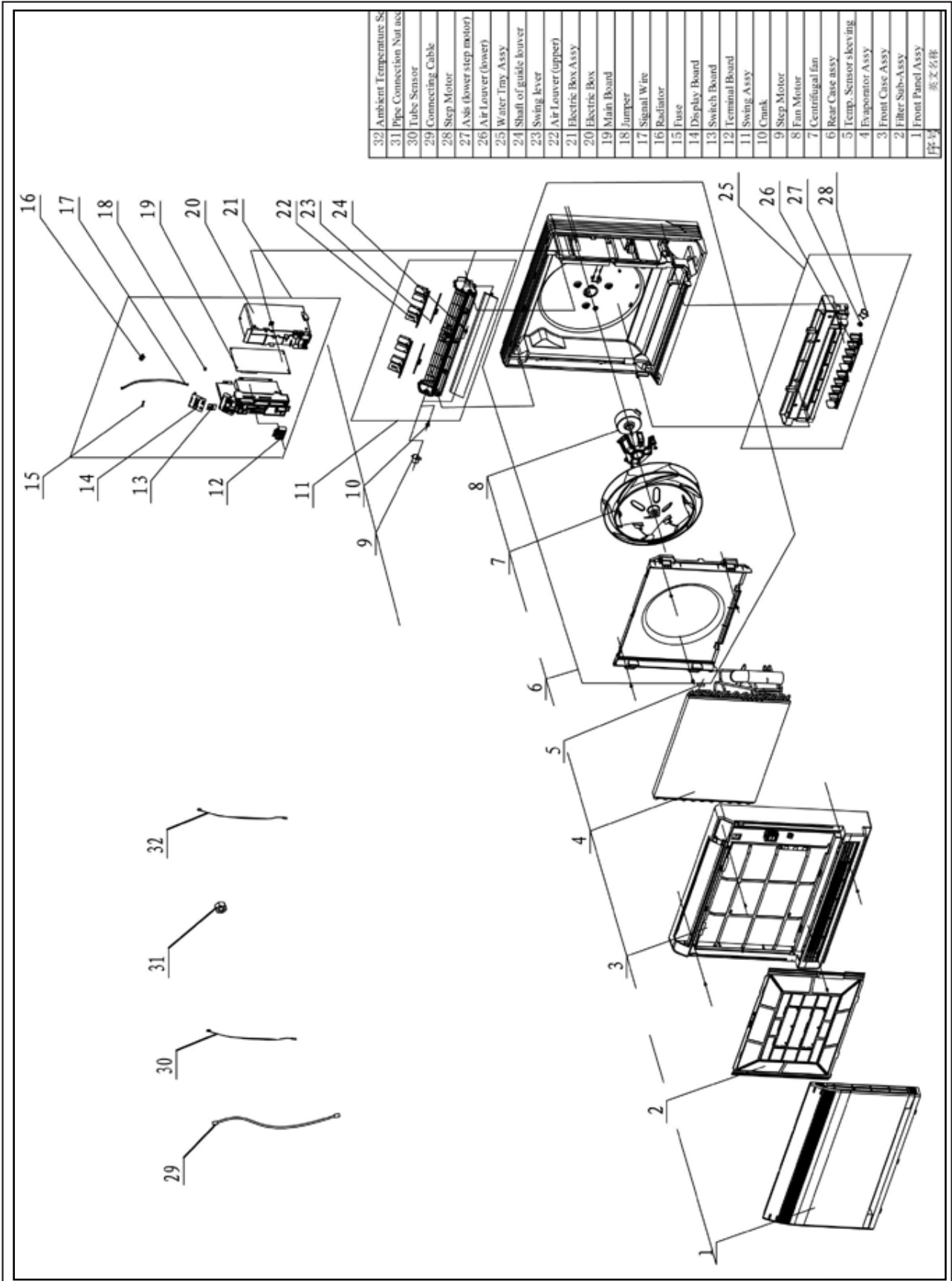
**MARS**®  
Delivering Confidence

---

REPLACEMENT PARTS LIST

**InverterFlex Series®**  
**Floor Console Mini-Split**  
B-VFH09FA-1  
**Heat Pumps**

# EXPLODED VIEW



## REPLACEMENT PARTS

Location	Part Name	Quantity	Part No.
1	Front Panel Assy	1	20012756_L08294
2	Filter Sub-Assy	1	11122139
3	Front Case Assy	1	20012601
4	Evaporator Assy	1	01002637
5	Temp Sensor Sleeving	1	05212423
6	Rear Case assy	1	22202462
7	Centrifugal Fan	1	10312005
8	Fan Motor	1	15012123
9	Stepping Motor	1	1521210805
10	Crank	1	73012005
12	Terminal Board	1	42011233
13	Switch Board	1	30112007
14	Display Board	1	30568131
15	Fuse	1	46010055
16	Radiator	1	49010252
17	Signal Wire	1	4003004202
18	Jumper	1	4202300101
19	Main Board	1	30138613
20	Electric Box	1	20112116
21	Electric Box Assy	2	2020262201
22	Air Louver (upper)	2	10512143
23	Swing Lever	2	10582096
24	Shaft of Guide Louver	1	10542020
25	Water Tray Assy	2	20182141
26	Air Louver (lower)	1	10512144
27	Axis (lower step motor)	1	10542034
28	Stepping Motor	1	1521210101
30	Temperature Sensor	1	390000591
32	Temperature Sensor	1	3900004508
	Remote Control	1	30510135
	Mounting Hook	1	02112019

---

Due to ongoing product improvements, specifications and dimensions are subject to change and correction without notice or incurring obligations. Determining the application and suitability for use of any product is the responsibility of the installer. Additionally, the installer is responsible for verifying dimensional data on the actual product prior to beginning any installation preparations.

Incentive and rebate programs have precise requirements as to product performance and certification. All products meet applicable regulations in effect on date of manufacture; however, certifications are not necessarily granted for the life of a product. Therefore, it is the responsibility of the applicant to determine whether a specific model qualifies for these incentive/rebate programs.

*Comfort-Cire*®  **Century**®

1900 Wellworth Ave., Jackson, MI 49203 • Ph. 517-787-2100 • [www.marsdelivers.com](http://www.marsdelivers.com)

