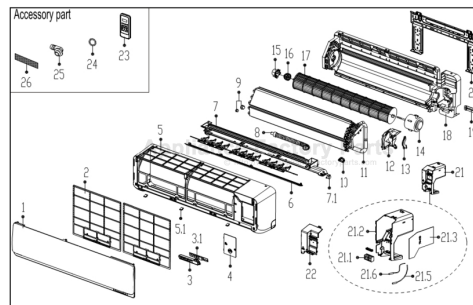


This Owner's Manual is provided and hosted by [Appliance Factory Parts](#).



COMFORT-AIRE B-VMH18SD-1 Owner's Manual

[Shop genuine replacement parts for COMFORT-AIRE
B-VMH18SD-1](#)



[Find Your COMFORT-AIRE HVAC Parts - Select From 1486 Models](#)

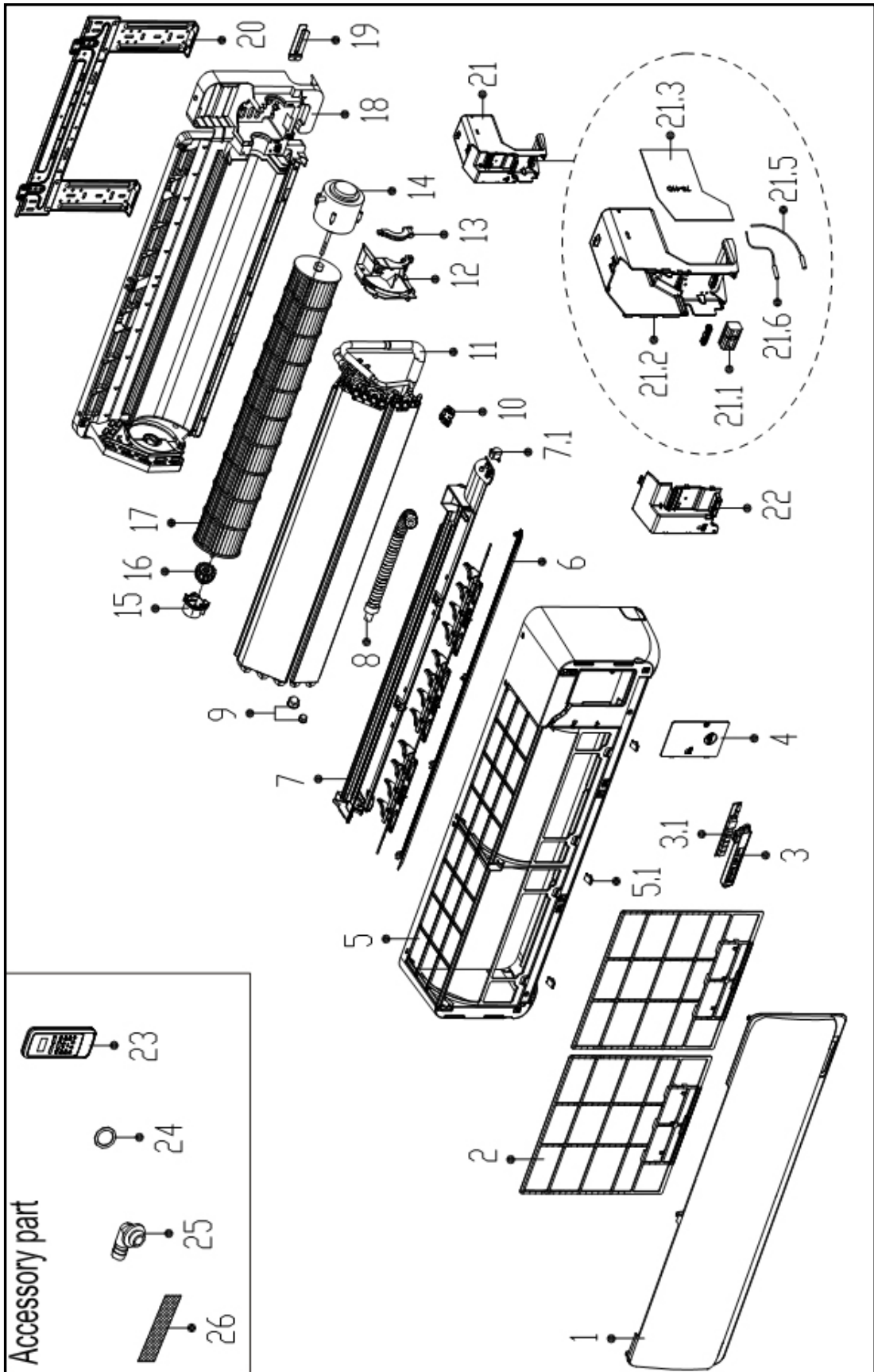
----- Manual continues below -----

HEAT CONTROLLER

**REPLACEMENT
PARTS LIST**

**Inverter Series
Indoor Ductless Mini-Split
B-VMH18SD-1
Heat Pumps**

EXPLODED VIEW



REPLACEMENT PARTS

Location	Part Name	Quantity	Part No.
1	Panel assembly	1	2011328A2376
2	Air filter	2	201132890670
3	Display box assembly	1	2033325A2058
3.1	Display board assembly	1	201332391249
4	Cover of electrical equipment	1	201133091048
5	Panel frame assembly	1	201132890673
5.1	Screw cap	3	201119900950
6	Horizontal louver	1	201132890671
7	Air outlet assembly	1	2011328A1648
7.1	Louver motor	1	202400200120
8	Drain hose	1	201101020038
9	Pipe nut	1	201600330001
9	Pipe nut	1	201600330003
10	Fix clamp of temperature sensor	1	201102000305
11	Evaporator assembly	1	2015328A0228
12	Fan motor cover	1	201133090980
13	Fixing board of fan motor	1	201133090167
14	Brushless DC Motor	1	202400300064
15	Bearing holder	1	201119900952
16	Bearing base	1	202719900606
17	Cross flow fan	1	201100200056
18	Chassis assembly	1	201132890703
19	Pipe clamp board	1	201232800103
20	Installation plate	1	2012330A0010
21	Electronic control box assembly	1	203332890569
21.1	Wire joint	1	202301450119
21.2	Electronic control box	1	201133090976
21.3	Indoor main control board assembly	1	201332890610
21.5	Ambient temperature sensor assembly	1	202432390005
21.6	Pipe temperature sensor assembly	1	202301300584
22	Cover of electronic control box	1	201133090981
23	Remote Controller	1	2033550A8685
24	Seal ring	1	202720090001
25	Drain joint	1	201101020011
26	Air freshening filter	1	201130410455
	Carton		2026328A2145

Due to ongoing product improvements, specifications and dimensions are subject to change and correction without notice or incurring obligations. Determining the application and suitability for use of any product is the responsibility of the installer. Additionally, the installer is responsible for verifying dimensional data on the actual product prior to beginning any installation preparations.

Incentive and rebate programs have precise requirements as to product performance and certification. All products meet applicable regulations in effect on date of manufacture; however, certifications are not necessarily granted for the life of a product. Therefore, it is the responsibility of the applicant to determine whether a specific model qualifies for these incentive/rebate programs.

HEAT CONTROLLER

1900 Wellworth Ave., Jackson MI 49203 • Ph. 517-787-2100 • www.heatcontroller.com

A  Company