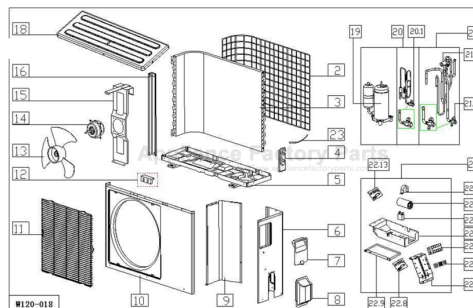


This Owner's Manual is provided and hosted by [Appliance Factory Parts](#).



# COMFORT-AIRE A-SMH12SC Owner's Manual

[Shop genuine replacement parts for COMFORT-AIRE  
A-SMH12SC](#)



[Find Your COMFORT-AIRE HVAC Parts - Select From 1486 Models](#)

----- Manual continues below -----

HEAT CONTROLLER

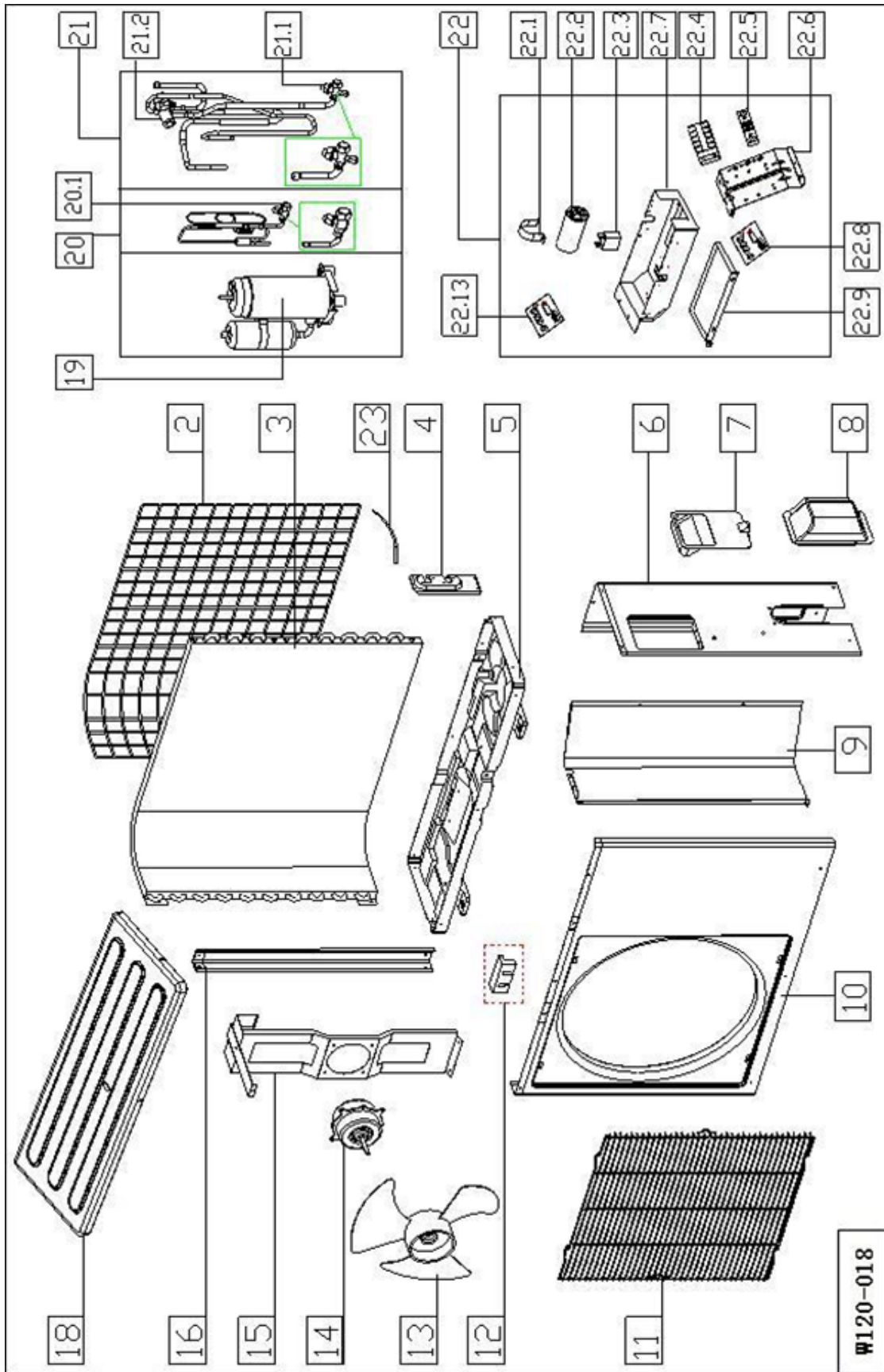
**REPLACEMENT  
PARTS LIST**

**Single Zone Ductless Mini-Splits**

A-SMH12SC

**Outdoor Heat Pump**

# EXPLODED VIEW



# REPLACEMENT PARTS

Location	Part Name	Quantity	Part No.
2	Rear net	1	2011374G0003
3	Condenser assembly	1	201535290100
4	Valve plate	1	201237200282
5	Chassis assembly	1	201237400385
6	Right clapboard	1	201237590081
7	Big handle	1	201237390104
8	Water collector	1	201137400000
9	Partition board assembly	1	201237390006
10	Front panel	1	201237400392
11	Air outlet grille	1	201237390113
12	Clamp of front net	6	201135110801
13	Axial flow fan	1	201100300502
14	Asynchronous motor	1	202400400487
15	Supporter assembly of fan motor	1	201237390016
16	Left supporter	1	201237400400
18	Top cover assembly	1	201237400405
19	Compressor	1	201400630350
20	Liquid valve assembly	1	201637591234
20.1	Liquid valve	1	201600740523
21	4-way valve assembly	1	201637590109
21.1	Gas Valve	1	201600720618
21.2	4-Ways valve	1	201600690009
22	Electronic control box assembly	1	203337590035
22.1	Capacitor clip	1	201200100005
22.2	Capacitor of compressor	1	202401000751
22.3	Fan motor capacitor	1	202401190042
22.4	Terminal strip	1	202301400065
22.5	Insulation plate	1	201135000004
22.6	Supporting board	1	201237590002
22.8	Main control board assembly	1	201337390044
22.9	Installation plate of electric parts	1	201135210305
22.13	Low ambient kit	1	203319900481
23	Pipe temperature sensor assembly	1	202440500004
	Defrost Thermostat	1	174005130022

Due to ongoing product improvements, specifications and dimensions are subject to change and correction without notice or incurring obligations. Determining the application and suitability for use of any product is the responsibility of the installer. Additionally, the installer is responsible for verifying dimensional data on the actual product prior to beginning any installation preparations.

Incentive and rebate programs have precise requirements as to product performance and certification. All products meet applicable regulations in effect on date of manufacture; however, certifications are not necessarily granted for the life of a product. Therefore, it is the responsibility of the applicant to determine whether a specific model qualifies for these incentive/rebate programs.

# HEAT CONTROLLER

1900 Wellworth Ave., Jackson MI 49203 • Ph. 517-787-2100 • [www.heatcontroller.com](http://www.heatcontroller.com)

A  Company