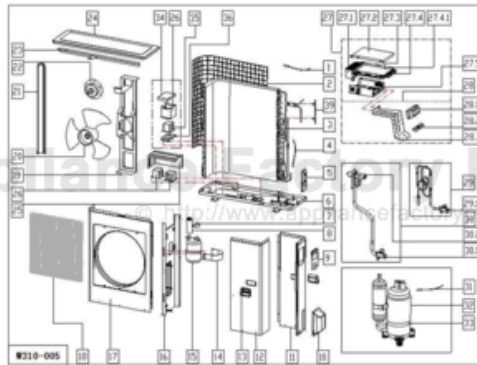


This Owner's Manual is provided and hosted by [Appliance Factory Parts](http://Appliance Factory Parts).



# COMFORT-AIRE A-VMH24SC-1 Owner's Manual

[Shop genuine replacement parts for COMFORT-AIRE  
A-VMH24SC-1](#)



[Find Your COMFORT-AIRE HVAC Parts - Select From 1486 Models](#)

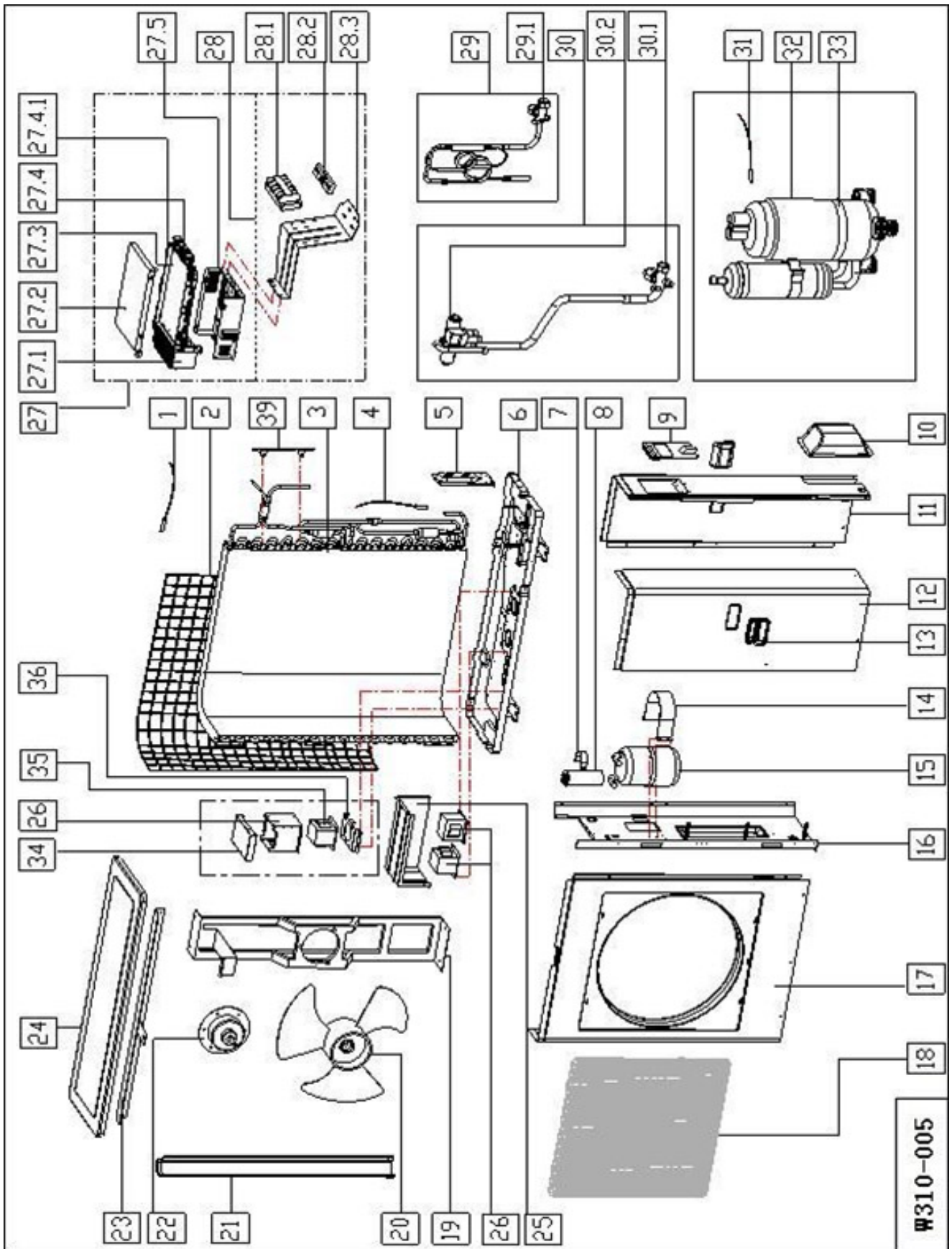
----- Manual continues below -----

HEAT CONTROLLER, INC.

# **REPLACEMENT PARTS LIST**

**Single Zone Inverter  
Ductless Mini-Splits  
A-VMH24SC-1  
Outdoor Heat Pump**

# EXPLODED VIEW



# REPLACEMENT PARTS

Location	Part Name	Quantity	Part No.
1	Indoor temperature sensor assembly	1	202301310075
2	Rear net	1	2011482G0001
3	Condenser assembly	1	201538090038
4	Pipe temperature sensor assembly	1	202301300111
5	Valve plate	1	201248300316
6	Chassis assembly	1	201238090064
7	Capacitor clip	1	201200100026
8	Capacitor of compressor	1	202401000612
9	Big handle	1	201237390104
10	Water collector	1	201138090005
11	Rear right clapboard assembly	1	201238090067
12	Front right clapboard assembly	1	201248200082
13	Handle	2	201148700009
14	Fix clamp of segregator	1	201245000901
15	Accumulator cylinder	1	201638090129
16	Partition board assembly	1	201238090049
17	Front panel	1	201248200126
18	Air outlet grille	1	201237890119
19	Supporter assembly of fan motor	1	201238090007
20	Axial flow fan	1	201100300202
21	Left supporter	1	201248400036
22	Asynchronous motor	1	202400410666
23	Rear supporter	1	201248200095
24	Top cover assembly	1	201248300309
25	Cover of inductance	1	201248390003
26	Reactance	1	202301050026
26	Reactance	1	202301040055
26	Reactance	1	202301000819
27	Electronic control box assembly	1	203338090134
27.1	Electronic control box	1	201237300033
27.2	Radiator	1	202301900112
27.3	Cover of electronic control box	1	201237300162
27.4	Main control board assembly	1	201338090027
27.4.1	Fan motor capacitor	1	202401200152
27.5	Supporter of electronic control box	1	201137300162
28	Terminal board assembly	1	203338090187
28.1	Wire joint	1	202301450118
28.2	Insulation plate	1	201135000004
28.3	Terminal board	1	201238090032
29	Liquid valve assembly	1	201638090249
29.1	Liquid valve	1	201600740706
30	Gas valve assembly	1	201638090251
30.1	Gas valve	1	201600720398
30.2	4-Ways valve	1	201600600119
31	Discharge temperature sensor assembly	1	202301310068
32	Compressor	1	201400600530
33	Crankcase electric heater	1	202403100501
34	Cover for inductance	1	201238090037
35	Protecting board of inductance	1	201238090038
36	Inductance holder	1	201250200305
39	Waterproof board	1	201137990000
Not Shown	Bridge rectifier	2	2023005N0001

Design, material, performance data and components  
subject to change without notice.

## HEAT CONTROLLER, INC.

1900 Wellworth Ave., Jackson, MI 49203 • Ph. 517-787-2100 • Fax 517-787-9341

THE QUALITY LEADER IN CONDITIONING AIR

[www.heatcontroller.com](http://www.heatcontroller.com)