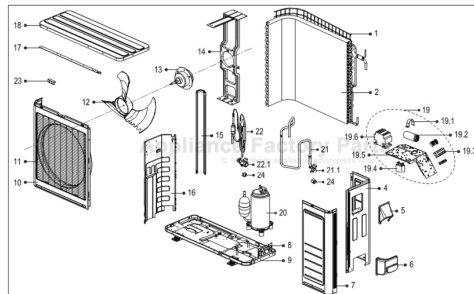


This Owner's Manual is provided and hosted by [Appliance Factory Parts](#).



COMFORT-AIRE CMA18SB-1 Owner's Manual

[Shop genuine replacement parts for COMFORT-AIRE
CMA18SB-1](#)



[Find Your COMFORT-AIRE HVAC Parts - Select From 1486 Models](#)

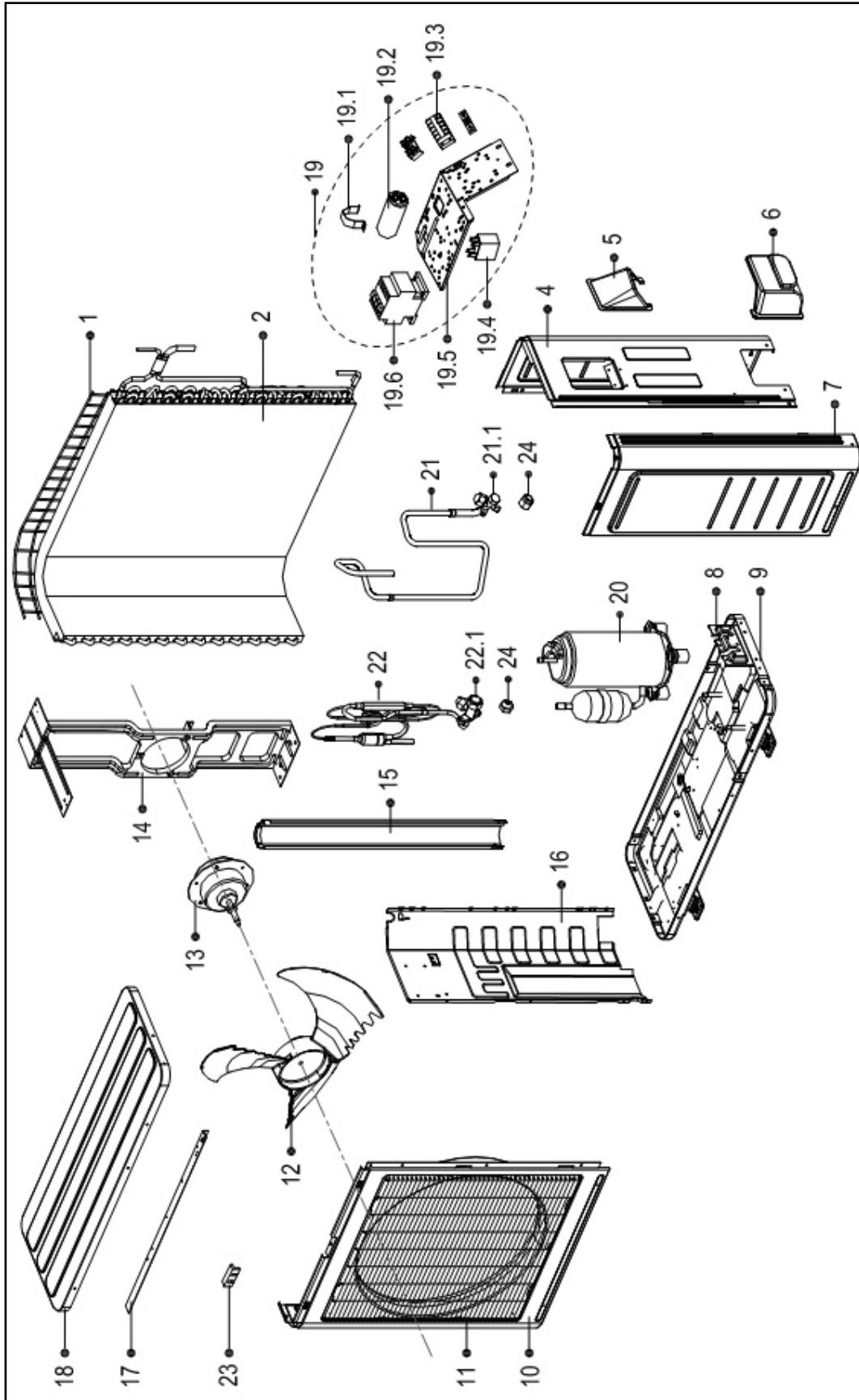
----- Manual continues below -----

HEAT CONTROLLER

**REPLACEMENT
PARTS LIST**

**Horizontal/Side Discharge
Condensing Units
CMA18SB-1**

EXPLODED VIEW



REPLACEMENT PARTS

Location	Part Name	Quantity	Part No.
1	Rear net	1	2011481G0001
2	Condenser assembly	1	201537990073
4	Rear right clapboard assembly	1	201237890100
5	Big handle	1	201237390104
6	Water collector	1	201137390017
7	Front right clapboard assembly	1	201248100385
8	Valve plate	1	201237300316
9	Chassis assembly	1	201248100371
10	Front panel	1	201248100390
11	Air outlet grille	1	201237890112
12	Axial flow fan	1	201100320622
13	Asynchronous motor	1	202400401216
14	Supporter assembly of fan motor	1	2012481G0038
15	Left supporter	1	201248100367
16	Partition board assembly	1	201238090056
17	Rear net frame	1	201248100384
18	Top cover assembly	1	201248100363
19	Electronic control box assembly	1	203337890333
19.1	Capacitor clip	1	201200100011
19.2	Capacitor of compressor	1	202401000077
19.3	Wire joint	1	202301400063
19.3	Wire joint	1	202301400066
19.4	Fan motor capacitor	1	202401100353
19.5	Installation plate of electric parts	1	201238090069
19.6	AC contactor	1	202300850015
20	Compressor	1	201400630370
21	Gas valve assembly	1	201637890588
21.1	Gas valve	1	201600720194
22	liquid valve assembly	1	201637891187
22.1	Liquid valve	1	201600700078
23	Clamp of front net	8	201135110801
24	Copper nut	1	201600320000
24	Copper nut	1	201600320002

Due to ongoing product improvements, specifications and dimensions are subject to change and correction without notice or incurring obligations. Determining the application and suitability for use of any product is the responsibility of the installer. Additionally, the installer is responsible for verifying dimensional data on the actual product prior to beginning any installation preparations.

Incentive and rebate programs have precise requirements as to product performance and certification. All products meet applicable regulations in effect on date of manufacture; however, certifications are not necessarily granted for the life of a product. Therefore, it is the responsibility of the applicant to determine whether a specific model qualifies for these incentive/rebate programs.

HEAT CONTROLLER

1900 Wellworth Ave., Jackson MI 49203 • Ph. 517-787-2100 • www.heatcontroller.com

A  Company