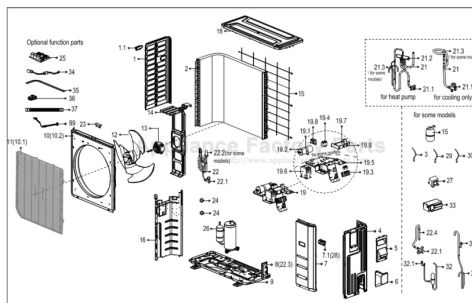


This Owner's Manual is provided and hosted by [Appliance Factory Parts](#).



COMFORT-AIRE CMA24SC-1 Owner's Manual

[Shop genuine replacement parts for COMFORT-AIRE
CMA24SC-1](#)



[Find Your COMFORT-AIRE HVAC Parts - Select From 1486 Models](#)

----- Manual continues below -----

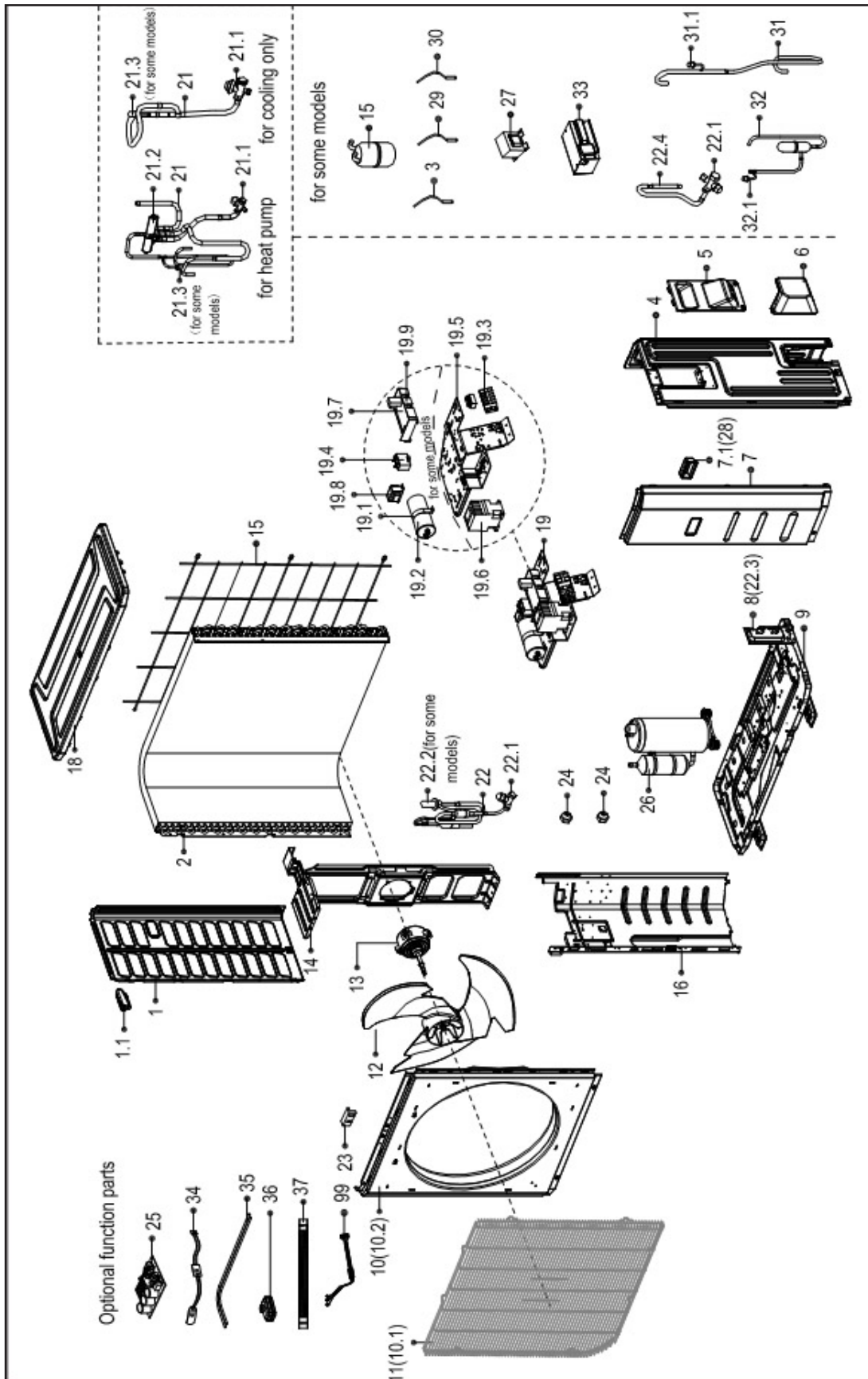


PARTS LIST

Horizontal/Side Discharge Condensing Units

CMA24SC-1

EXPLODED VIEW



REPLACEMENT PARTS

Location	Part Name	Quantity	Part No.
1	Left side plate assembly of cabinet	1.0	12222000006665
1.1	Small Handle	1.0	12100701000033
2	Condenser Assembly	1.0	15822500000459
4	Rear right clapboard assembly	1.0	12222000006664
5	Big Handle	1.0	12222000004019
6	Water Collecting Cover	1.0	12122200002695
7	Front right clapboard assembly	1.0	12222500A00135
7.1	Little Handle	1.0	12100702000038
9	Chassis assembly	1.0	12222000005270
10	Front panel	1.0	12222000A01431
11	Air outlet grille	1.0	12222000007904
12	Axial fan	1.0	12100105000084
13	Single-phase Asynchronous Motor	1.0	11002012004177
14	Fan Motor Holder Subassembly	1.0	12222500000545
16	Separator Assembly	1.0	12222200001161
18	Top cover assembly	1.0	12222500000541
19	Electronic control box assembly	1.0	17223000002636
19.1	Capacitor clamp	1.0	12200203000006
19.2	Compressor Capacitor(Round)	1.0	17400103000061
19.3	Wire holder	1.0	17400401000131
19.3	Wire holder	1.0	17400401000087
19.4	Capacitor	1.0	17400101000085
19.5	Welding Parts for Installing Plate of Electri-	1.0	12222200001098
19.6	AC contactor	1.0	11203502000004
19.7	Outdoor main control board assembly	1.0	17123000002172
19.8	Power Transformer	1.0	11203103000125
21	Low Pressure Valve assembly	1.0	15422000007032
21.1	Low Pressure Valve	1.0	15500204000022
22	Liquid valve Assembly	1.0	15423000003060
22.1	Low Pressure Valve	1.0	15500204000021
22.3	Installing plate for valves	1.0	12222200000611
24	Copper nut	1.0	15500406000008
24	Copper nut	1.0	15500406000010
26	Fixed Speed Rotary Compressor	1.0	11103010003269
32	Compressor exhaust pipe Assembly	1.0	15123000008670
32.1	Pressure switch	1.0	17400516000007
99	Connection cable assembly of compressor	1.0	17401203000884

Due to ongoing product improvements, specifications and dimensions are subject to change and correction without notice or incurring obligations. Determining the application and suitability for use of any product is the responsibility of the installer. Additionally, the installer is responsible for verifying dimensional data on the actual product prior to beginning any installation preparations.

Incentive and rebate programs have precise requirements as to product performance and certification. All products meet applicable regulations in effect on date of manufacture; however, certifications are not necessarily granted for the life of a product. Therefore, it is the responsibility of the applicant to determine whether a specific model qualifies for these incentive/rebate programs.

Comfort-Cire[®]

1900 Wellworth Ave., Jackson, MI 49203 • Ph. 517-787-2100 • www.marsdelivers.com

