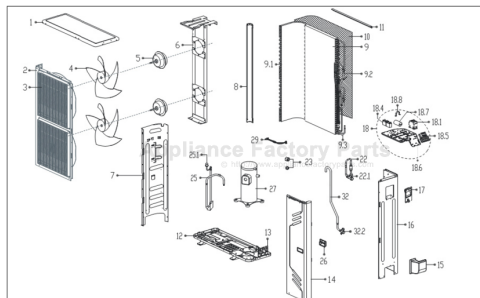


This Owner's Manual is provided and hosted by [Appliance Factory Parts](#).



# COMFORT-AIRE CMA36SB-1 Owner's Manual

[Shop genuine replacement parts for COMFORT-AIRE  
CMA36SB-1](#)



[Find Your COMFORT-AIRE HVAC Parts - Select From 1486 Models](#)

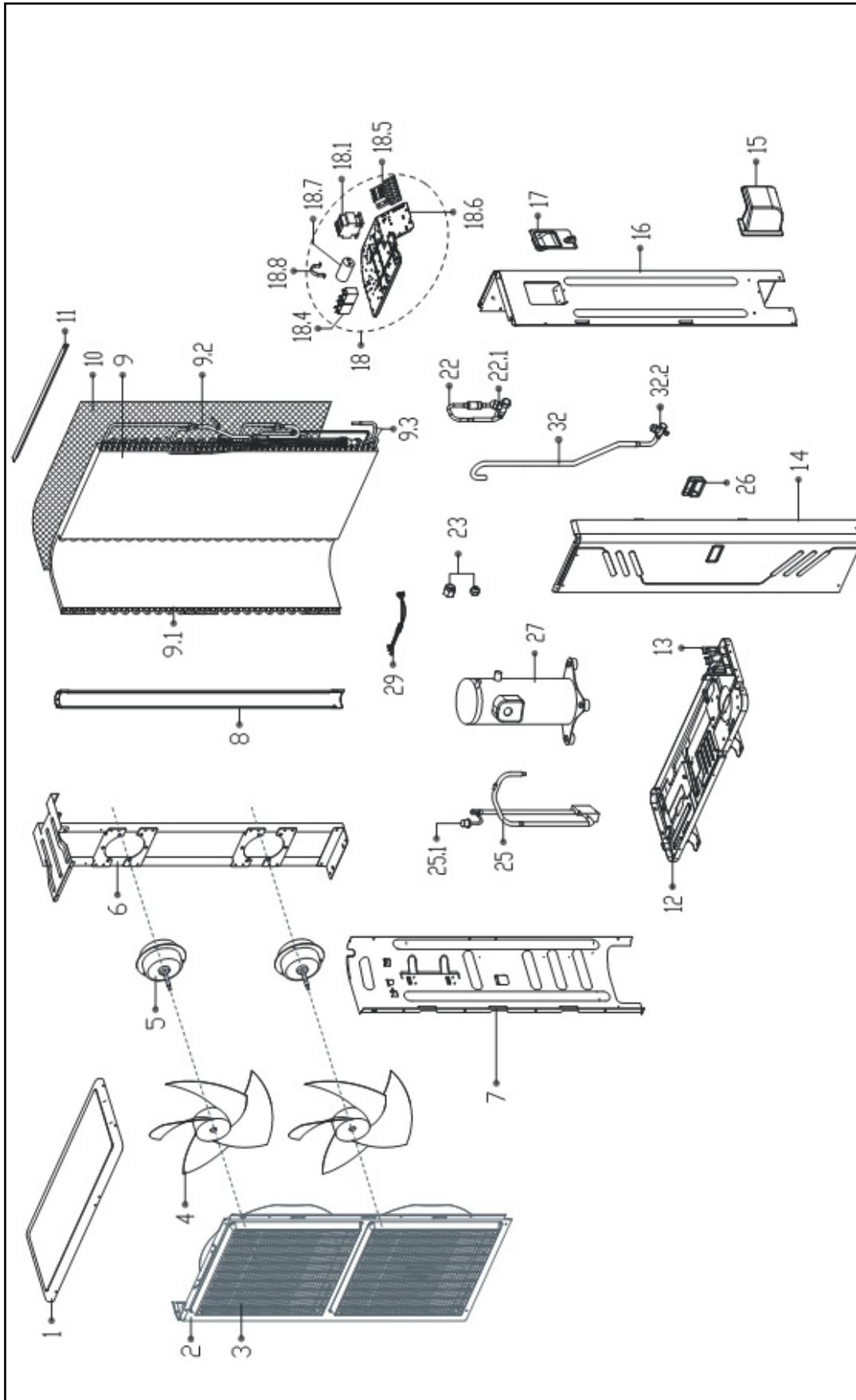
----- Manual continues below -----

HEAT CONTROLLER

**REPLACEMENT  
PARTS LIST**

**Horizontal/Side Discharge  
Condensing Units  
CMA36SB-1**

# EXPLODED VIEW



# REPLACEMENT PARTS

Location	Part Name	Quantity	Part No.
1	Top cover assembly	1	201275600138
2	Front panel	1	201275600105
3	Front net assembly	2	201275890056
4	Axial flow fan	2	201100300102
5	Asynchronous motor	1	202400420701
5	Asynchronous motor	1	202400400396
6	Supporter assembly of fan motor	1	201275600101
7	Partition board assembly	1	201275890038
8	Rear-left supporting board	1	201275600135
9	Condenser assembly	1	201575890120
9.1	Condenser	1	201548890019
9.2	Input pipe assembly	1	201648890071
9.2	Input pipe assembly	1	201675600183
9.3	Fluted pipe assembly	1	201675600281
10	Rear net	1	201175600083
11	Rear supporter	1	201275600086
12	Chassis	1	201275600143
13	Valve plate	1	201248790014
14	Front-right panel assembly	1	201275890123
15	Water collector	1	201148790000
16	Rear-right panel	1	201275600137
17	Big handle assembly	1	201237390104
18	Electronic control box assembly	1	203338190120
18.1	AC contactor	1	202300850015
18.4	Capacitor	2	202401100354
18.5	Wire joint	1	202301450117
18.5	Wire joint	1	202301400063
18.6	Installation plate of electric parts	1	201275600136
18.7	Capacitor	1	202401000076
18.8	Capacitor Clamp	1	201200100011
22	Liquid valve assembly	1	201675890626
22.1	Liquid valve	1	201600740704
23	Copper nut	1	201600320001
23	Copper nut	1	201600320004
25	Discharge pipe assembly	1	201638190573
25.1	Pressure switch	1	202301820020
26	Handle	2	201148700009
27	Compressor	1	201401420380
29	Compressor wire assembly	1	202402220107
32	Gas valve assembly	1	201638190571
32.2	Gas valve	1	201600720684

Due to ongoing product improvements, specifications and dimensions are subject to change and correction without notice or incurring obligations. Determining the application and suitability for use of any product is the responsibility of the installer. Additionally, the installer is responsible for verifying dimensional data on the actual product prior to beginning any installation preparations.

Incentive and rebate programs have precise requirements as to product performance and certification. All products meet applicable regulations in effect on date of manufacture; however, certifications are not necessarily granted for the life of a product. Therefore, it is the responsibility of the applicant to determine whether a specific model qualifies for these incentive/rebate programs.

# HEAT CONTROLLER

1900 Wellworth Ave., Jackson MI 49203 • Ph. 517-787-2100 • [www.heatcontroller.com](http://www.heatcontroller.com)

A  Company