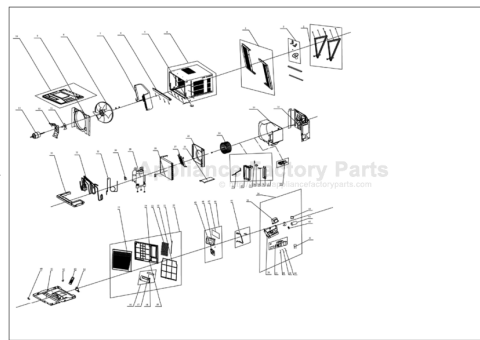


This Owner's Manual is provided and hosted by [Appliance Factory Parts](#).



# COMFORT-AIRE RAH-183M Owner's Manual

[Shop genuine replacement parts for COMFORT-AIRE  
RAH-183M](#)



RAH-183M PART LIST  
Room Air Conditioner with IR-10A  
HVAL-CORPORATION  
EXPLODED VIEW

[Find Your COMFORT-AIRE HVAC Parts - Select From 1486 Models](#)

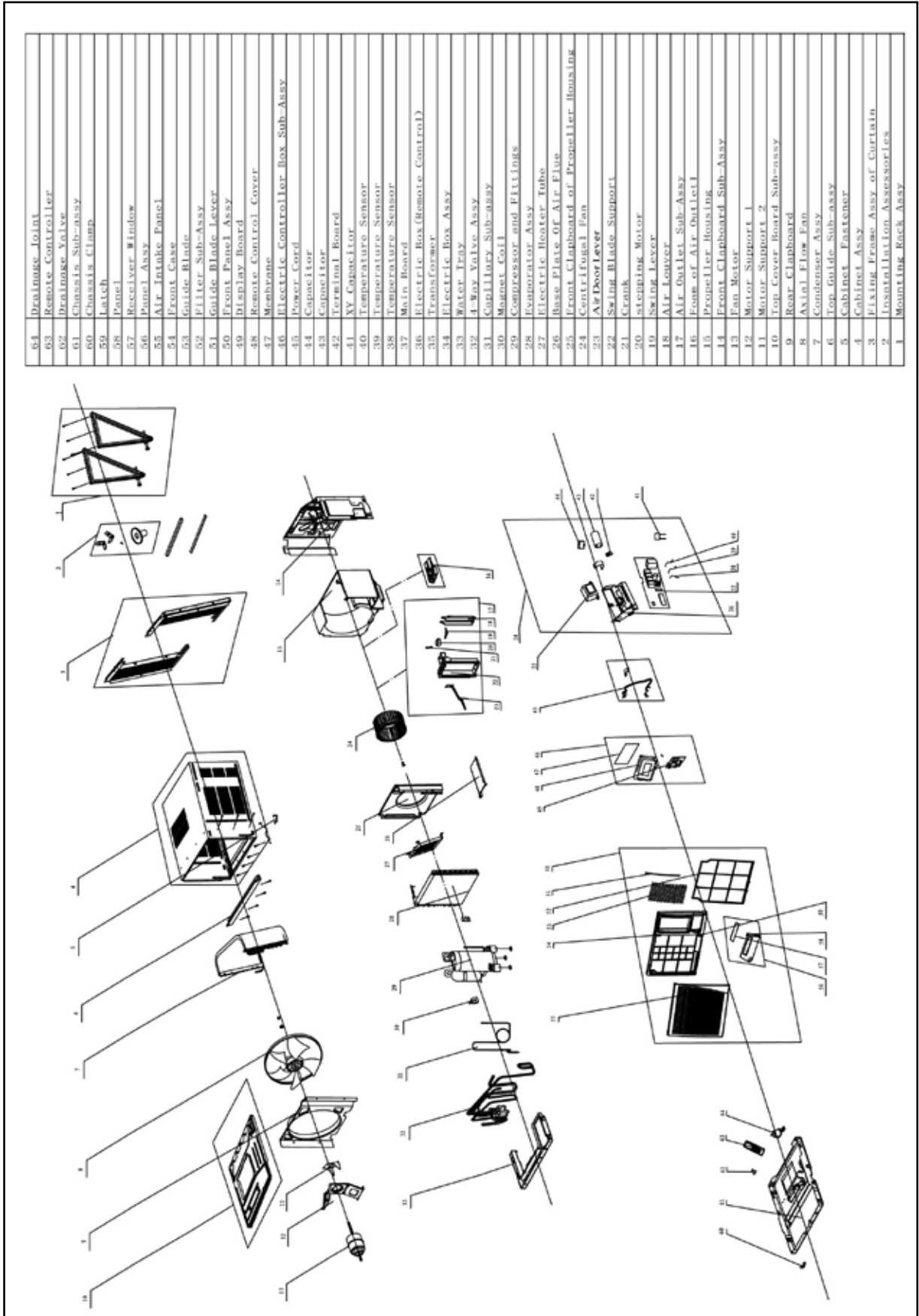
----- Manual continues below -----

HEAT CONTROLLER

**REPLACEMENT  
PARTS LIST**

**Room Air Conditioner with R-410A:  
Heat Pumps  
RAH-183M**

# EXPLODED VIEW



# REPLACEMENT PARTS

Location	Part Name	Quantity	Part No.
1	Mounting Rack Assy	1	01331174
2	Insatallation Assessories	1	55011027
3	Fixing Frame Assy of Curtain	1	22411702
4	Cabinet Assy	1	01431173
5	Cabinet Fastener	1	26251601
6	Top Guide Sub-assy	1	01791009
7	Condenser Assy	1	01100200285
8	Axial Flow Fan	1	10331163
9	Rear Clapboard	1	01231701
10	Top Cover Board Sub-assy	1	01251018
11	Motor Support 2	1	01701604
12	Motor Support 1	1	01701605
13	Fan Motor	1	1501105804
14	Front Clapboard Sub-Assy	1	012318052
15	Propeller Housing	1	12101602
16	Foam of Air Outlet1	1	1231160101
17	Air Outlet Sub-Assy	1	2000103601
18	Air Louver	2	10511601
19	Swing Lever	1	10581602
20	Stepping Motor	1	1521211601
21	Crank	1	73011001
22	Swing Blade Support	1	10581603
23	Air Door Lever	1	10581601
24	Centrifugal Fan	1	103116024
25	Front Clapboard of Propeller Housing	1	01231026
26	Base Plate Of Air Flue	1	01221602
27	Electric Heater	1	320010161
28	Evaporator Assy	1	0100128703
29	Compressor and Fittings	1	00101388
30	Magnet Coil	1	430004017
31	Capillary Sub-assy	1	03000600269
32	4-Way Valve Assy	1	03021246
33	Water Tray Sub-Assy	1	20181136
34	Electric Box Assy	1	10000201478
35	Transformer	1	43110258
36	Electric Box(Remote Control)	1	20111023
37	Main Board	1	30132195
38	Ambient Temperature Sensor	1	390002061
39	Room Sensor	1	39000191
40	Temperature Sensor	1	3900032101
41	XY Capacitor	1	33030013
42	Terminal Board	1	42011103
43	Capacitor CBB65	1	33000045
44	Capacitor CBB61S	1	3301074708
45	Pwer cord (LCDI)	1	4002037950
46	Electric Controller Box Sub-Assy	1	20101541
47	Membrane	1	63061112
48	Remote Control Cover	1	20161034
49	Display Board	1	30562082
50	Front Panel Assy	1	20001025K37718
51	Guide Blade Lever	1	10581604
52	Filter Sub-Assy	1	11121604
53	Guide Blade	14	105116021
54	Front Case	1	20001266
55	Air Intake Panel	1	27230003816
56	Panel Assy	1	20161010
57	Receiver Window	1	22431136
58	Panel	1	20161103
59	Latch	1	70811002
60	Chassis Clamp	1	01211601
61	Chassis Sub-assy	1	0120160114
62	Drainage Valve	1	07101001
63	Remote Controller	1	305010142K37718
64	Drainage Joint	1	06121350

Due to ongoing product improvements, specifications and dimensions are subject to change and correction without notice or incurring obligations. Determining the application and suitability for use of any product is the responsibility of the installer. Additionally, the installer is responsible for verifying dimensional data on the actual product prior to beginning any installation preparations.

Incentive and rebate programs have precise requirements as to product performance and certification. All products meet applicable regulations in effect on date of manufacture; however, certifications are not necessarily granted for the life of a product. Therefore, it is the responsibility of the applicant to determine whether a specific model qualifies for these incentive/rebate programs.

# HEAT CONTROLLER

1900 Wellworth Ave., Jackson MI 49203 • Ph. 517-787-2100 • [www.heatcontroller.com](http://www.heatcontroller.com)

A  Company