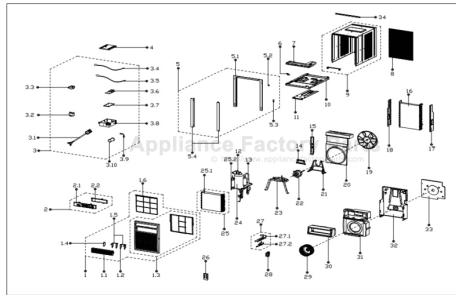


This Owner's Manual is provided and hosted by [Appliance Factory Parts](http://ApplianceFactoryParts.com).



COMFORT-AIRE CD-101L Owner's Manual

[Shop genuine replacement parts for COMFORT-AIRE
CD-101L](#)



[Find Your COMFORT-AIRE Air Conditioner Parts - Select From 599 Models](#)

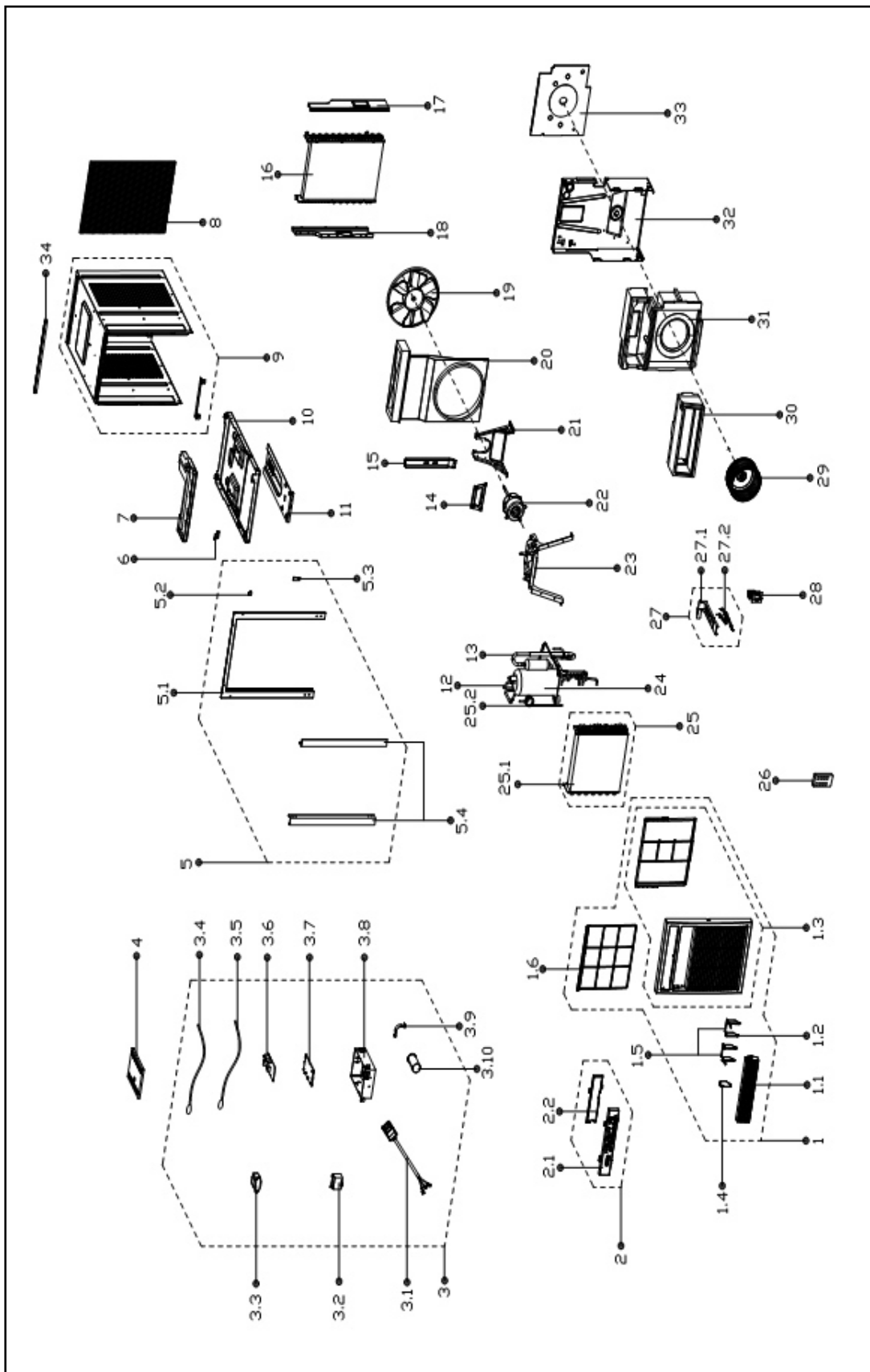
----- Manual continues below -----

HEAT CONTROLLER

**REPLACEMENT
PARTS LIST**

**Room Air Conditioner with R-410A:
CD-101L**

EXPLODED VIEW



REPLACEMENT PARTS

Location	Part Name	Quantity	Part No.
1	Panel assembly	1	2011213A0051
1.1	Air outlet assembly	1	201121590018
1.2	Horizontal louver	4	201121590023
1.3	Front panel	1	201121590017
1.4	Horizontal louver	1	201121590024
1.5	Connecting rod of louver	1	201121590022
1.6	Air filter	1	201121590019
2	Display box assembly	1	203321390025
2.1	Control panel assembly	1	201121590021
2.2	Cover of control panel	1	201121590020
3	Electronic control box assembly	1	203321590155
3.1	Power cord	1	202402290006
3.2	Capacitor of fan motor	1	202401100989
3.3	Transformer	1	202300900139
3.4	Pipe temperature sensor assembly	1	202301300226
3.5	Ambient temperature sensor assembly	1	202301310075
3.6	Main control board assembly	1	201321390136
3.7	Bracket I of Main control board	1	201121890173
3.8	Electronic control box	1	201221590095
3.9	Capacitor clip	1	201200100030
3.10	Capacitor of compressor	1	202401000806
4	Cover of electronic control box	1	201221590086
5	Installation accessory	1	202821390004
5.1	Installation frame	1	201121190510
5.2	Fixing plate	1	201221590011
5.3	Fixing plate	1	201221590007
5.4	Side shutter frame	2	201221590008
6	Fixing plate	1	201221390124
7	Condenser water tray	1	202221590002
8	Rear net	1	201121590111
9	Cabinet	1	201221790200
10	Chassis	1	201221790225
11	Installation board	1	201221590100
12	Discharge pipe assembly	1	201621590412
13	Suction pipe assembly	1	201621590413
14	Cover of motor	1	201221590076
15	Supporting board	1	201221390088
16	Condenser assembly	1	201521590095
17	Right bracket for condenser	1	201221790183
18	Left bracket for condenser	1	201221790182
19	Axial flow fan	1	201100320004
20	Rear separating	1	201121590009
21	Supporter assembly of fan motor	1	201221590081
22	Asynchronous motor	1	202400400958
23	Bracket of compressor	1	201221590084
24	Compressor	1	201400603531
25	Evaporator coil assembly	1	201521590094
25.1	Evaporator	1	201521590063
25.2	Capillary assembly	1	201621590322
26	Remote controller	1	2033550A3128
27	Fresh air door assembly	1	201121590232
27.1	Bracket of fresh air door	1	201121590025
27.2	Connecting rod of fresh air door	1	201121590026
28	Fresh air door	1	201121590011
29	Centrifugal fan	1	201100140000
30	Volute shell (above)	1	202221590003
31	Volute Shell	1	202221590001
32	Front separating board	1	201221590082
33	Rear board of volute shell	1	202221590000
34	Top shutter frame	1	201121390074
	Display label		2020213A1826
	Carton		2026215A0308
	Top Curtain Fill Board	1	201121590014

Due to ongoing product improvements, specifications and dimensions are subject to change and correction without notice or incurring obligations. Determining the application and suitability for use of any product is the responsibility of the installer. Additionally, the installer is responsible for verifying dimensional data on the actual product prior to beginning any installation preparations.

Incentive and rebate programs have precise requirements as to product performance and certification. All products meet applicable regulations in effect on date of manufacture; however, certifications are not necessarily granted for the life of a product. Therefore, it is the responsibility of the applicant to determine whether a specific model qualifies for these incentive/rebate programs.

HEAT CONTROLLER

1900 Wellworth Ave., Jackson MI 49203 • Ph. 517-787-2100 • www.heatcontroller.com

A  Company