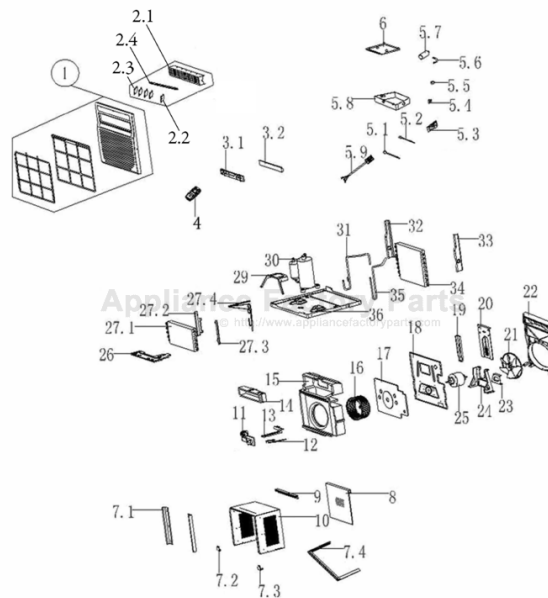


This Owner's Manual is provided and hosted by Appliance Factory Parts.



COMFORT-AIRE CD-101G Owner's Manual

[Shop genuine replacement parts for COMFORT-AIRE
CD-101G](#)



[Find Your COMFORT-AIRE Air Conditioner Parts - Select From 599 Models](#)

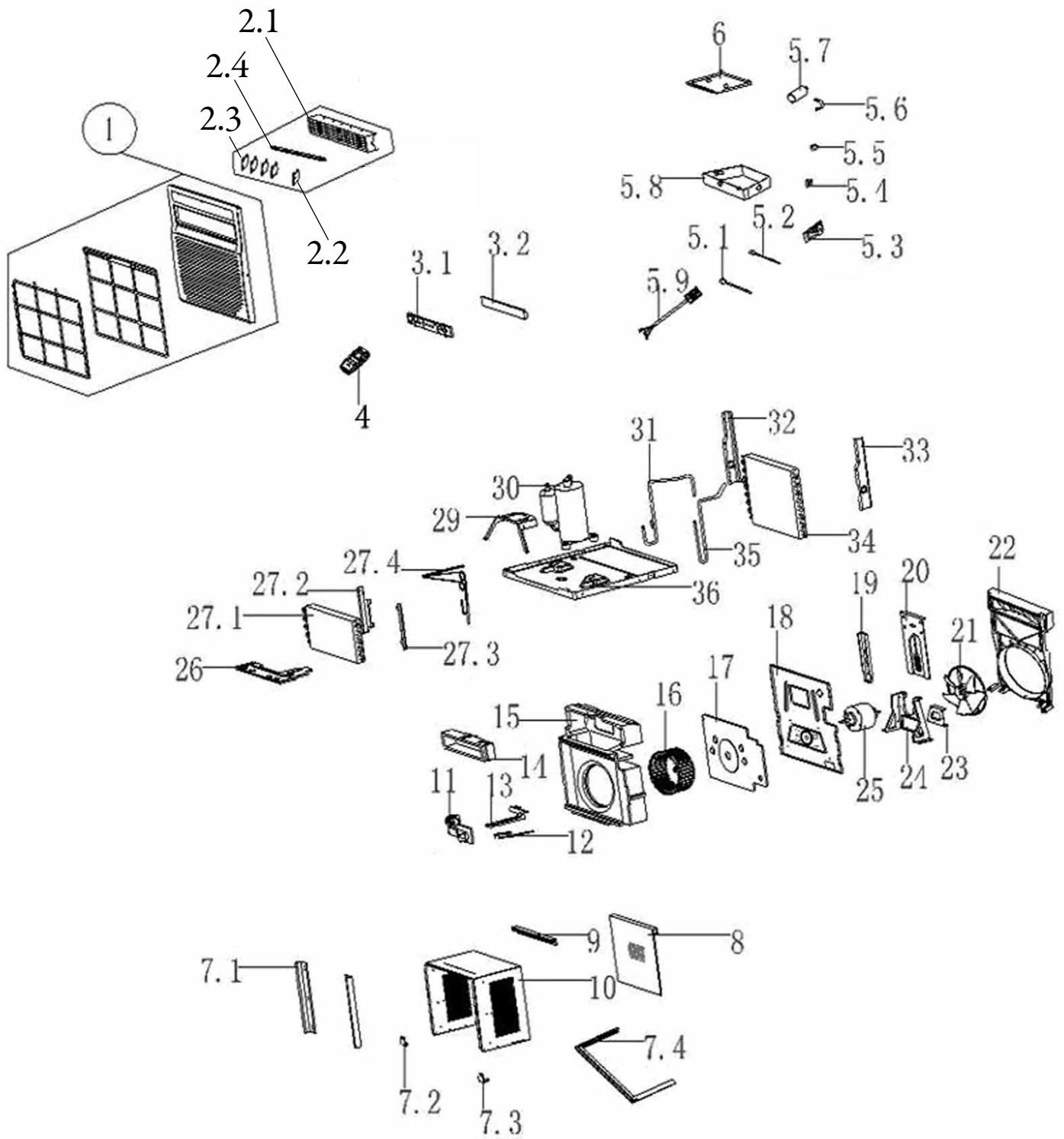
----- Manual continues below -----

HEAT CONTROLLER, INC.

REPLACEMENT PARTS LIST

Room Air Conditioner with R-410A:
Casement Series
CD-101G

EXPLODED VIEW



REPLACEMENT PARTS

Location	Part Name	Quantity	Part No.
1	Front Panel	1	201121390038
2.1	Air out frame	1	201121590018
2.2	Vertical louver	1	201121590024
2.3	louver	4	201121590023
2.4	Louver holder	1	201121590022
3.1	Control panel assembly	1	201121390041
3.2	Cover for control panel	1	201121390040
4	Remote controller	1	203355091112
5.1	Pipe temp sensor assembly	1	202301300226
5.2	Indoor temp sensor assembly	1	202301310071
5.3	Main control board assembly	1	201321390058
5.4	Transformer	1	202300900139
5.5	Capacitor,Fan Motor	1	202401100310
5.6	Capacitor clamp	1	201220900102
5.7	Capacitor for compressor	1	202401000806
5.8	E-part box	1	201221590095
5.9	Power cord	1	202402290006
6	Cover for E-part box	1	201221590086
7.1	Side shutter frame	2	201221390092
7.2	Fixing plate	1	201221390090
7.3	Fixing plate	1	201221390091
7.4	Installation frame	1	201121390044
8	Reseau	1	201121590111
9	Top shutter frame	1	201121390043
10	Cabinet	1	201221790200
11	Vent door	1	201121590011
12	Link, ventilation	1	201121390039
13	Holder for Vent door	1	201121590116
14	Volute Shell(Top)	1	202221590003
15	Volute Shell	1	202221590001
16	Centrifugal fan	1	201100140000
17	Rear board for volute Shell	1	202221590000
18	Front separating board	1	201221590082
19	Holder	1	201221390088
20	Board for installation	1	201221590100
21	Propeller fan	1	201100320004
22	Rear separating board	1	201121590009
23	Cover for motor	1	201221590076
24	Holder for fan motor	1	201221590081
25	Motor	1	202400400958
26	water drain pan	1	202221590002
27.1	Evaporator	1	201521590063
27.2	Right holder for evaporator	1	201221790185
27.3	Left holder for evaporator	1	201221790184
27.4	Capillary assembly	1	201621590116
29	Stand for compressor	1	201221590084
30	Compressor	1	201402200360
31	Suction pipe	1	201621590231
32	Right holder for condenser	1	201221590078
33	Left holder for condenser	1	201221590077
34	Condenser assembly	1	201521390063
35	Discharge pipe	1	201621590230
36	Chassis	1	201221390089

Design, material, performance data and components
subject to change without notice.

HEAT CONTROLLER, INC.

1900 Wellworth Ave., Jackson, MI 49203 ♦ Ph. 517-787-2100 ♦ Fax 517-787-9341

THE QUALITY LEADER IN CONDITIONING AIR

www.heatcontroller.com