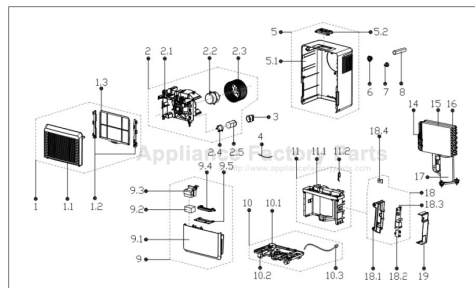


This Owner's Manual is provided and hosted by [Appliance Factory Parts](#).



COMFORT-AIRE BHD-501H Owner's Manual

[Shop genuine replacement parts for COMFORT-AIRE
BHD-501H](#)



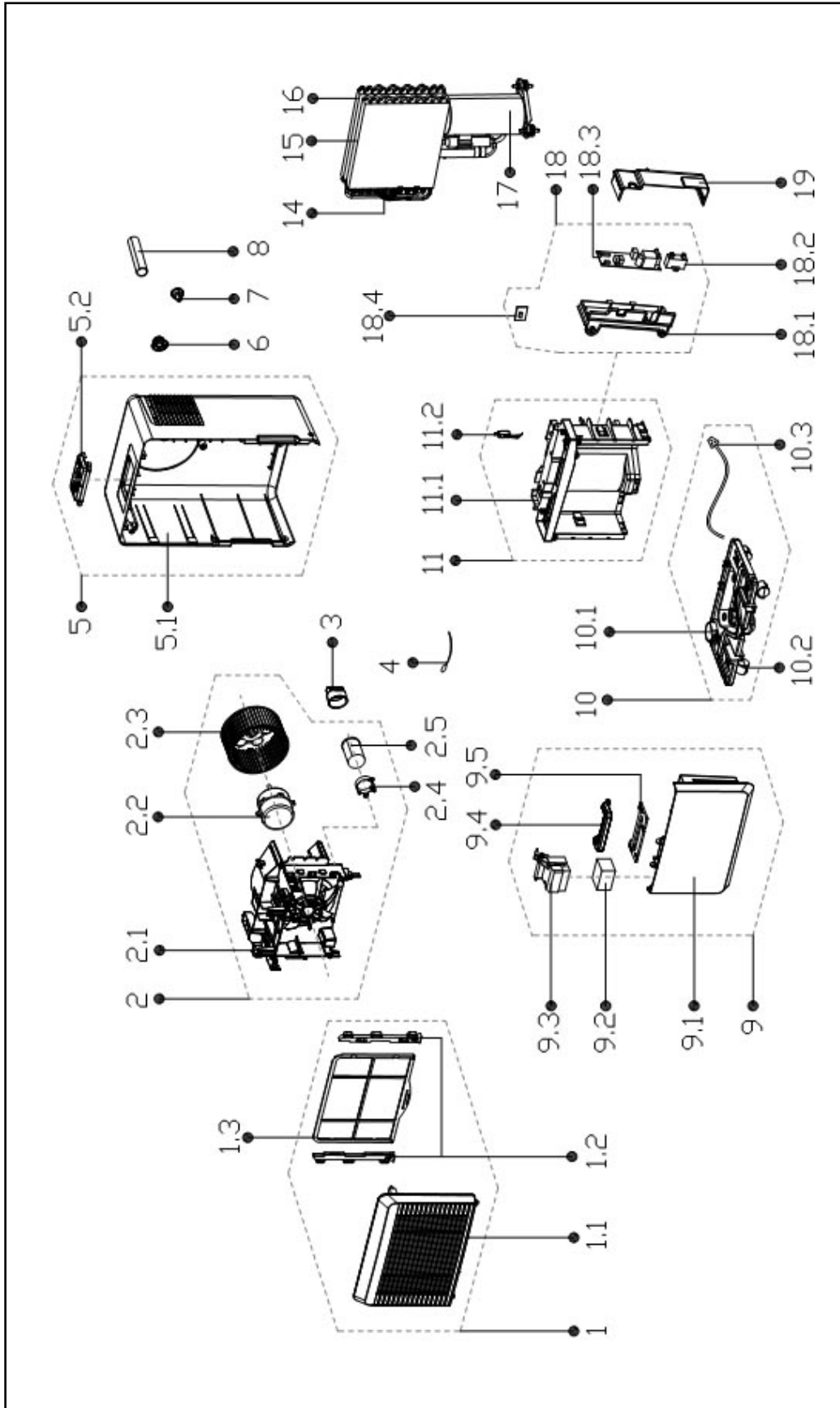
[Find Your COMFORT-AIRE Dehumidifier Parts - Select From 129 Models](#)

----- Manual continues below -----



Portable Dehumidifier:
BHD-501H

EXPLODED VIEW



REPLACEMENT PARTS

Location	Part Name	Quantity	Part No.
1	Front panel assembly	1	2011267A0189
1.1	Front panel	1	2011267A0190
1.2	Filter guide	2	201126690108
1.3	Air filter	1	201126790275
2	Volute shell assembly	1	201126690241
2.1	Volute Shell	1	201126790269
2.2	Asynchronous motor	1	202400401278
2.3	Centrifugal fan	1	201100100064
2.4	Capacitor clip	1	201226590010
2.5	Capacitor of compressor	1	202401000511
3	Capacitor box	1	202726290018
4	Pipe temperature sensor assembly	1	202301310076
5	Rear panel assembly	1	201126790277
5.1	Rear panel	1	201126790278
5.2	Display box assembly	1	203326790041
6	Drain connector	1	201126590000
7	Plug	1	202726590142
8	Drain pipe	1	201126790266
9	Water tank assembly	1	2011267A0191
9.1	Water tank	1	2011267A0193
9.2	Dobber	1	202226790002
9.3	Dobber	1	201126790161
9.4	Handle of water tank	1	201126590162
9.5	Water tank cover	1	201126790267
10	Chassis assembly	1	201126690199
10.1	Chassis	1	201126790268
10.2	Universal wheel	4	202726790001
10.3	Power cord	1	202402260186
11	Partition board assembly	1	201126790273
11.1	Separating board	1	201126790274
11.2	Micro switch	1	202301800108
14	Capillary assembly	1	201626790082
15	Condenser assembly	1	201526790059
16	Evaporator coil assembly	1	201526790060
17	Compressor	1	201402200440
18	Electronic control box assembly	1	203326790321
18.1	Electronic control box	1	201126690105
18.2	Capacitor of fan motor	1	202401100977
18.3	Main control board assembly	1	201326790049
18.4	Humidity sensor assembly	1	201326590058
19	Cover of electronic control box	1	201126690102

Due to ongoing product improvements, specifications and dimensions are subject to change and correction without notice or incurring obligations. Determining the application and suitability for use of any product is the responsibility of the installer. Additionally, the installer is responsible for verifying dimensional data on the actual product prior to beginning any installation preparations.

Incentive and rebate programs have precise requirements as to product performance and certification. All products meet applicable regulations in effect on date of manufacture; however, certifications are not necessarily granted for the life of a product. Therefore, it is the responsibility of the applicant to determine whether a specific model qualifies for these incentive/rebate programs.

Comfort-Aire®

1900 Wellworth Ave., Jackson MI 49203 • Ph. 517-787-2100 • www.comfort-aire.com



www.marsdelivers.com • www.heatcontroller.com