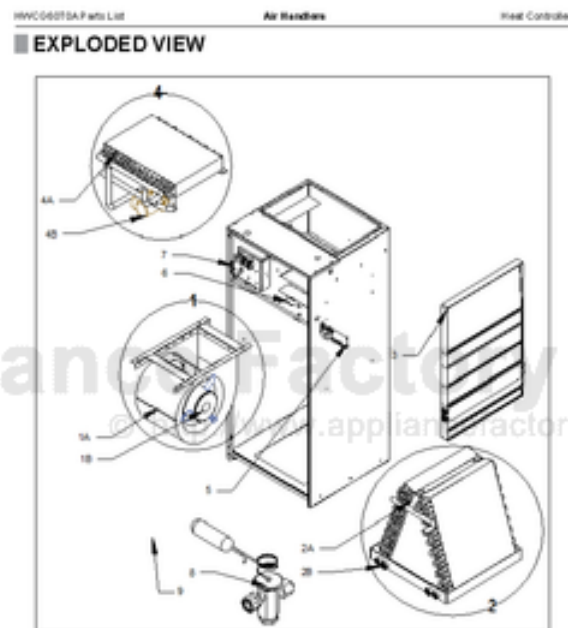


This Owner's Manual is provided and hosted by [Appliance Factory Parts](#).



COMFORT-AIRE HWCG60T0A Owner's Manual

[Shop genuine replacement parts for COMFORT-AIRE
HWCG60T0A](#)



[Find Your COMFORT-AIRE HVAC Parts - Select From 1486 Models](#)

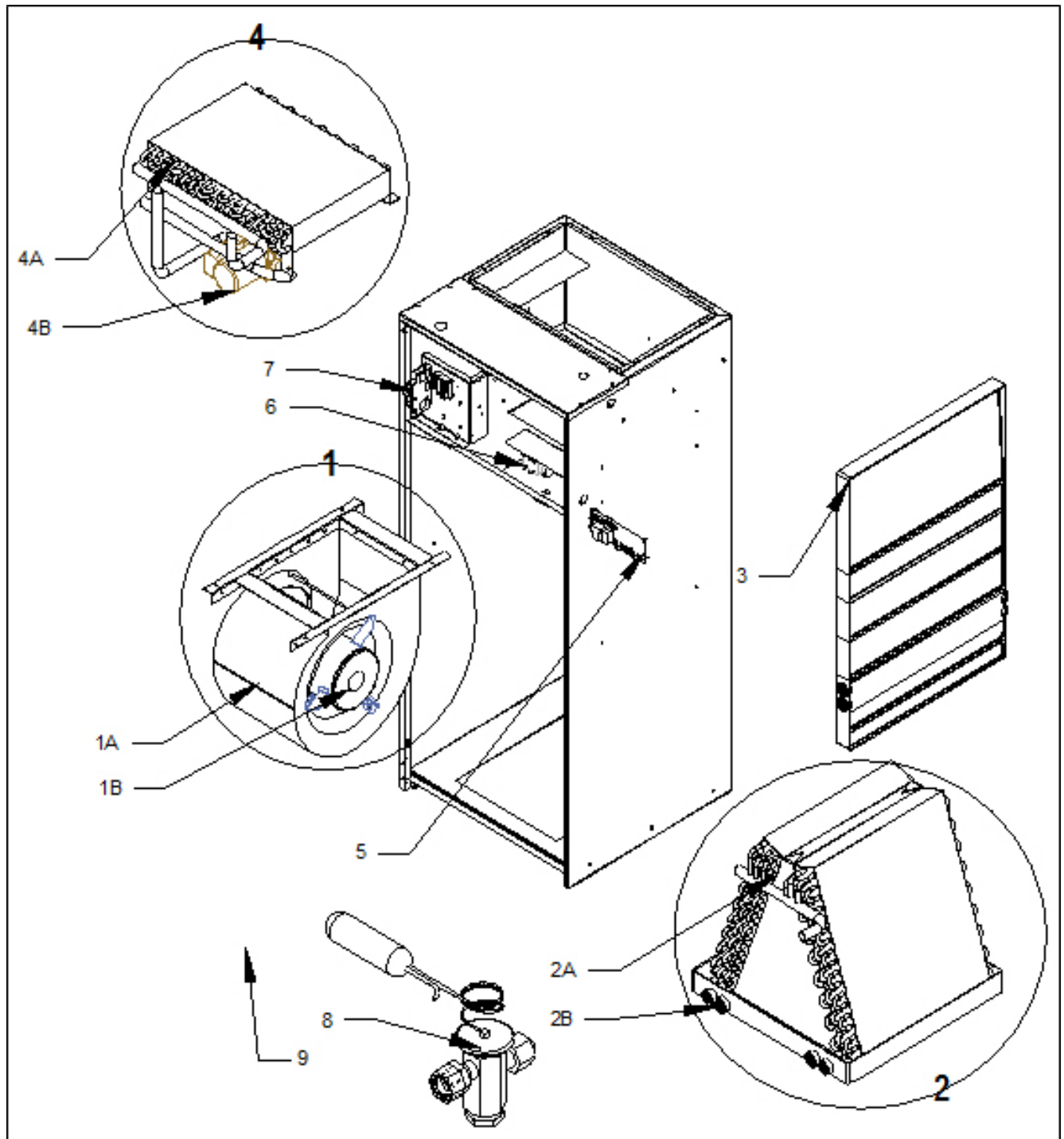
----- Manual continues below -----

HEAT CONTROLLER

**REPLACEMENT
PARTS LIST**

**Multi-Position Air Handler
Hydronic Heat with PSC Motor**
HWCG60T0A

EXPLODED VIEW



REPLACEMENT PARTS

Location	Part No.	Description	
1	110006	ASSY, BLOWER WHEEL & MOTOR	42 THRU 61
1A	8527	BLOWER WHEEL & HOUSING	42 THRU 61
1B	8537	MOTOR - 120V - 3/4 HP	42 THRU 61
2	129093	ASSY, A COIL WITH DRAIN PAN	60
2B	8593	23" PLASTIC DRAIN PAN	42 THRU 61
3	129793	METAL PAN +6"	49 THRU 61
4	129026	ASSY, 4 ROW HYDRO COIL W/O PUMP	42-61 W*4LL
4B		NOT APPLICABLE	
5	8719	MICROPROCESSOR BOARD	18 THRU 61
6	8247	40VA, 120V TRANSFORMER	18 THRU 61
7	8518	1 POLE, 15 AMP, CIRCUIT BREAKER	18 THRU 61
8	4202	NON BLEED R-410A TXV	18 THRU 61
9		NOT APPLICABLE	
NOT SHOWN	8530	CAPACITOR - 15 μ FD/370V	42 THRU 61
	8230	AUXILIARY RELAY	18 THRU 61
	8432	2 POLE TERMINAL BLOCK	18 THRU 61
	8517	1 POLE TERMINAL BLOCK	18 THRU 61
	8231*	BLOWER TIME DELAY RELAY	18 THRU 61
	128058	2 SPEED RELAY KIT	18 THRU 61
	8545	FREEZESTAT THERMOSTAT	18 THRU 61
	8567	PUMP REPLACEMENT CARTRIDGE	18 THRU 61
	126599	DOWNFLOW COIL KIT	18 THRU 61
	127028	WIRING HARNESS - FEMALE SOCKET	18 THRU 61
127030	WIRING HARNESS 2 WIRE MALE PLUG	NO HEAT KIT	

* NOT APPLICABLE ON UNITS POST 1/12/11

Due to ongoing product improvements, specifications and dimensions are subject to change and correction without notice or incurring obligations. Determining the application and suitability for use of any product is the responsibility of the installer. Additionally, the installer is responsible for verifying dimensional data on the actual product prior to beginning any installation preparations.

Incentive and rebate programs have precise requirements as to product performance and certification. All products meet applicable regulations in effect on date of manufacture; however, certifications are not necessarily granted for the life of a product. Therefore, it is the responsibility of the applicant to determine whether a specific model qualifies for these incentive/rebate programs.

HEAT CONTROLLER

1900 Wellworth Ave., Jackson MI 49203 • Ph. 517-787-2100 • www.heatcontroller.com

A  Company