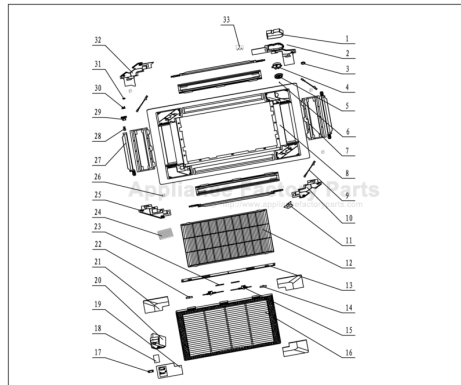


This Owner's Manual is provided and hosted by [Appliance Factory Parts](#).



# COMFORT-AIRE C-VFH24CA Owner's Manual

[Shop genuine replacement parts for COMFORT-AIRE  
C-VFH24CA](#)



[Find Your COMFORT-AIRE HVAC Parts - Select From 1486 Models](#)

----- Manual continues below -----

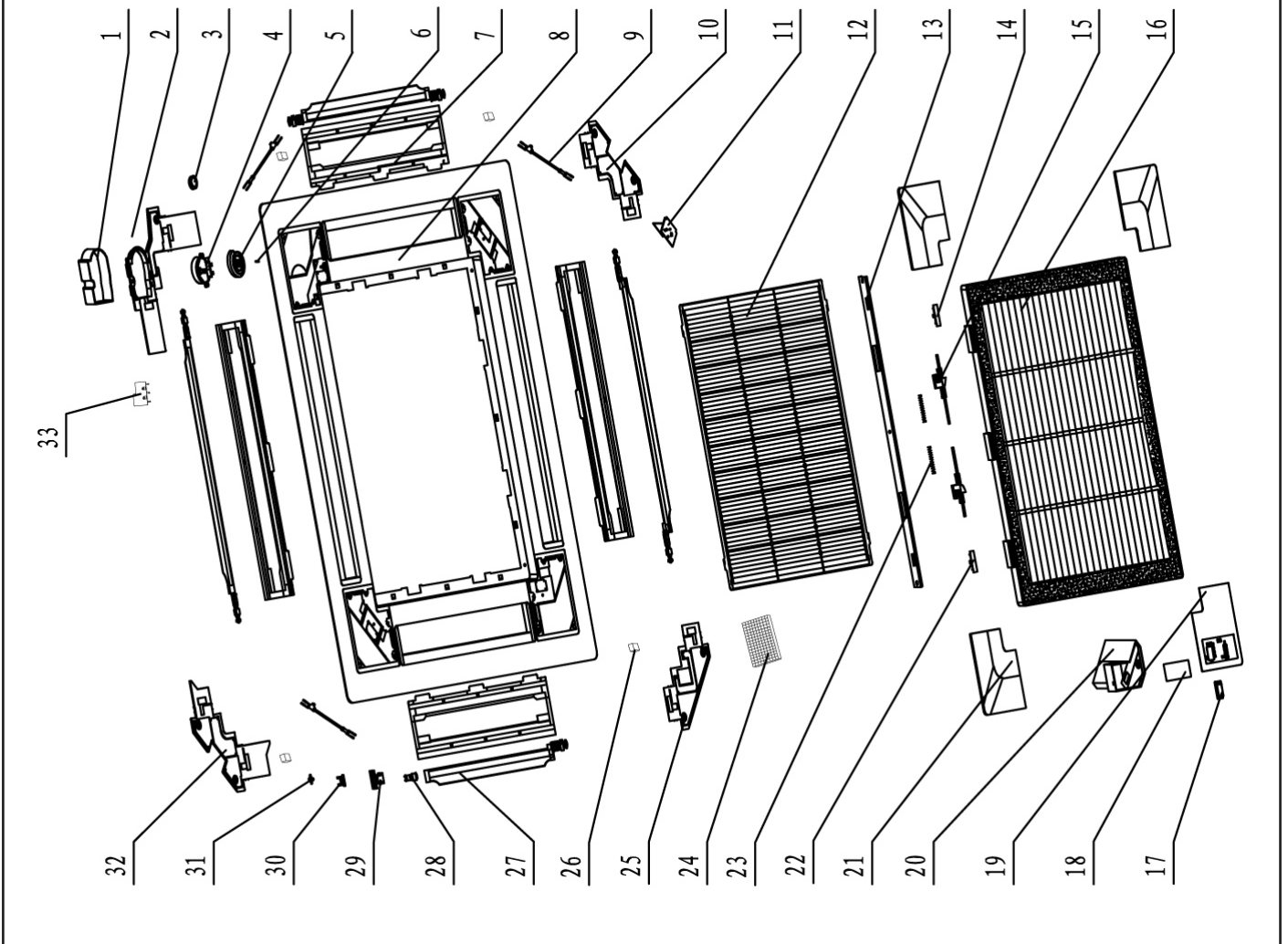
HEAT CONTROLLER

**REPLACEMENT  
PARTS LIST**

**InverterFlex Series®  
Ceiling Cassette Panel  
C-VFH24CA**

# EXPLODED VIEW

33	Inching Switch
32	Inner Conner Cover I
31	Gimbal
30	Universal Joint
29	Positioning Holder
28	Crank
27	Guide Louver
26	Magnet
25	Inner Conner Cover II
24	Air Cleaner
23	Spring
22	Left Clamp
21	Outer Conner Cover I
20	Cover of Receiving Window
19	Outer Conner Cover II
18	Receiver Board
17	Receiving Window
16	Air Inlet Grille
15	Right Clamp
14	NetHook
13	Fixing Plate of Net Hook
12	Filter
11	Hanging Ring
10	Inner Conner Cover III
9	Connecting Lever
8	Front Panel
7	Air Outlet Foam
6	Pin
5	Motor Holder
4	Synchronous Motor
3	Magnetic Ring
2	Inner Conner Cover IV
1	Motor Cover



## REPLACEMENT PARTS

Location	Part Name	Quantity	Part No.
1	Motor Cover	1	22242701
2	Inner Conner Cover 4	1	22242705
3	Magnetic Ring	1	49010104
4	Synchronous Motor	1	15212701
5	Motor Holder	1	26152702
6	Pin 3X14	1	70410603
7	Foam of Air Outlet	4	12312701
8	Front Panel Assy	1	20002702
9	Connecting Rod	1	10582701
10	Inner Conner Cover 3	1	22242704
11	Hanging Ring	4	70810101
12	Filter	1	11122701
13	Hook Fixer	1	01722721
14	Net Hook	2	26252703
15	Right Clamp	1	26252702
17	Receiving Window	1	22432702
18	Receiver Board	1	30041001
19	Outer Conner Cover 2 assy	1	22242714
20	Cover of Receiver	1	22242708
21	Outer Conner Cover 1	1	22242706
22	Left Clip	1	26252701
23	Spring	2	73010011
24	Air Cleaner	3	11012701
25	Inner Conner Cover 2	1	22242703
26	Magnet	2	70840001
27	Guide Louver	4	10512107
28	Crank	8	10542701
29	Position Holder	8	26152701
30	Universal Joint	8	10562702
31	Gimbal	2	10562701
32	Inner Conner Cover 1	1	22242702
33	Inching Switch	1	45010054

Due to ongoing product improvements, specifications and dimensions are subject to change and correction without notice or incurring obligations. Determining the application and suitability for use of any product is the responsibility of the installer. Additionally, the installer is responsible for verifying dimensional data on the actual product prior to beginning any installation preparations.

Incentive and rebate programs have precise requirements as to product performance and certification. All products meet applicable regulations in effect on date of manufacture; however, certifications are not necessarily granted for the life of a product. Therefore, it is the responsibility of the applicant to determine whether a specific model qualifies for these incentive/rebate programs.

# HEAT CONTROLLER

1900 Wellworth Ave., Jackson MI 49203 • Ph. 517-787-2100 • [www.heatcontroller.com](http://www.heatcontroller.com)

A  Company