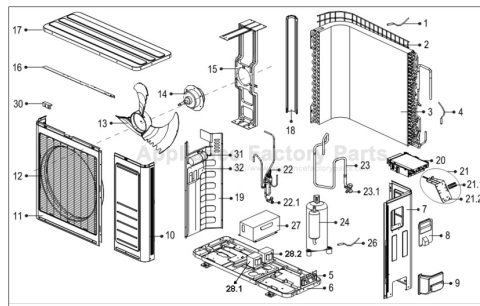


This Owner's Manual is provided and hosted by [Appliance Factory Parts](#).



COMFORT-AIRE A-DVC24SD-1 Owner's Manual

[Shop genuine replacement parts for COMFORT-AIRE
A-DVC24SD-1](#)



[Find Your COMFORT-AIRE HVAC Parts - Select From 1486 Models](#)

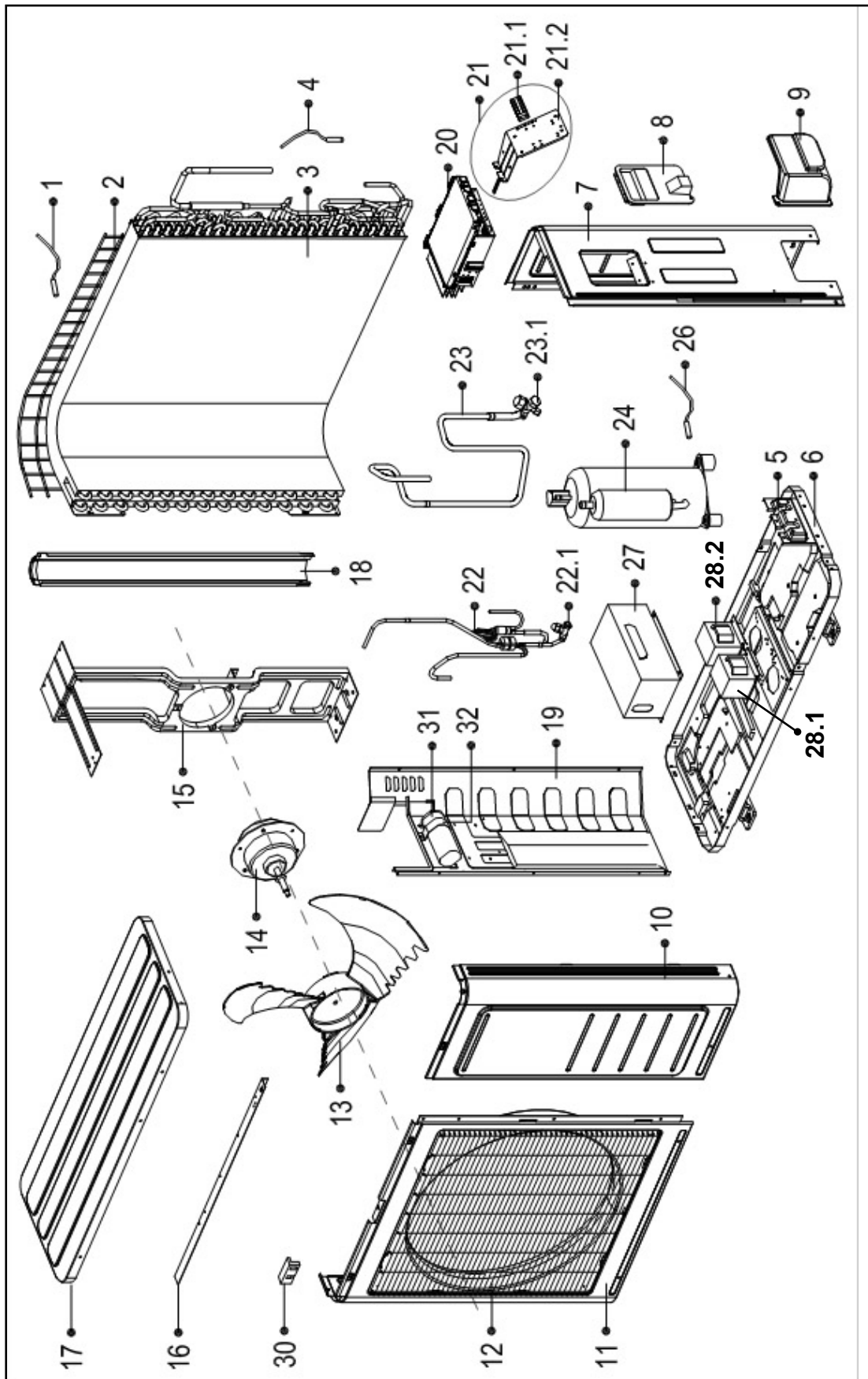
----- Manual continues below -----

HEAT CONTROLLER

**REPLACEMENT
PARTS LIST**

Single Zone Inverter Mini-Splits
A-DVC24SD-1
Outdoor Condenser

EXPLODED VIEW



REPLACEMENT PARTS

Location	Part Name	Quantity	Part No.
1	Ambient temperature sensor assembly	1	202301310075
2	Rear net	1	2011481G0001
3	Condenser assembly	1	201537990079
4	Pipe temperature sensor assembly	1	202440500004
5	Valve plate	1	201237300285
6	Chassis assembly	1	201257090054
7	Rear right clapboard assembly	1	201237890100
8	Big handle	1	201237390104
10	Front right clapboard assembly	1	201248100389
11	Front panel	1	201248100390
12	Air outlet grille	1	201138090006
13	Axial flow fan	1	201100320622
14	Asynchronous motor	1	202400401241
15	Supporter assembly of fan motor	1	2012481G0039
16	Rear supporter	1	201248100384
17	Top cover assembly	1	201248100266
18	Left supporter	1	201248100367
19	Partition board assembly	1	201237790031
20	Electronic control box assembly	1	2033380A1767
21	Terminal board assembly	1	203337990161
21.1	Wire joint	1	202301400256
21.2	Terminal board	1	201237890064
22	Liquid valve assembly	1	201638091042
22.1	Liquid valve	1	201600740704
23	Gas valve assembly	1	201638090643
23.1	Gas valve	1	201600720296
24	Compressor	1	201400600530
26	Discharge temperature sensor assembly	1	202301310068
27	Cover of inductance	1	201248090001
28.1	Reactor (front, small)	1	202301000819
28.2	Reactor (rear, large)	1	202301050026
30	Clamp of front net	8	201135110801
31	Capacitor of compressor	1	202401000612
32	Capacitor clip	1	201200100026

Due to ongoing product improvements, specifications and dimensions are subject to change and correction without notice or incurring obligations. Determining the application and suitability for use of any product is the responsibility of the installer. Additionally, the installer is responsible for verifying dimensional data on the actual product prior to beginning any installation preparations.

Incentive and rebate programs have precise requirements as to product performance and certification. All products meet applicable regulations in effect on date of manufacture; however, certifications are not necessarily granted for the life of a product. Therefore, it is the responsibility of the applicant to determine whether a specific model qualifies for these incentive/rebate programs.

HEAT CONTROLLER

1900 Wellworth Ave., Jackson MI 49203 • Ph. 517-787-2100 • www.heatcontroller.com

A  Company