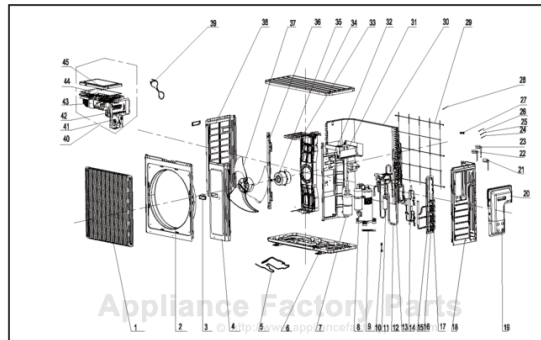


This Owner's Manual is provided and hosted by [Appliance Factory Parts](#).



COMFORT-AIRE A-VFH24TB-1 Owner's Manual

[Shop genuine replacement parts for COMFORT-AIRE
A-VFH24TB-1](#)



[Find Your COMFORT-AIRE HVAC Parts - Select From 1486 Models](#)

----- Manual continues below -----

Comfort-Cire®

Century®

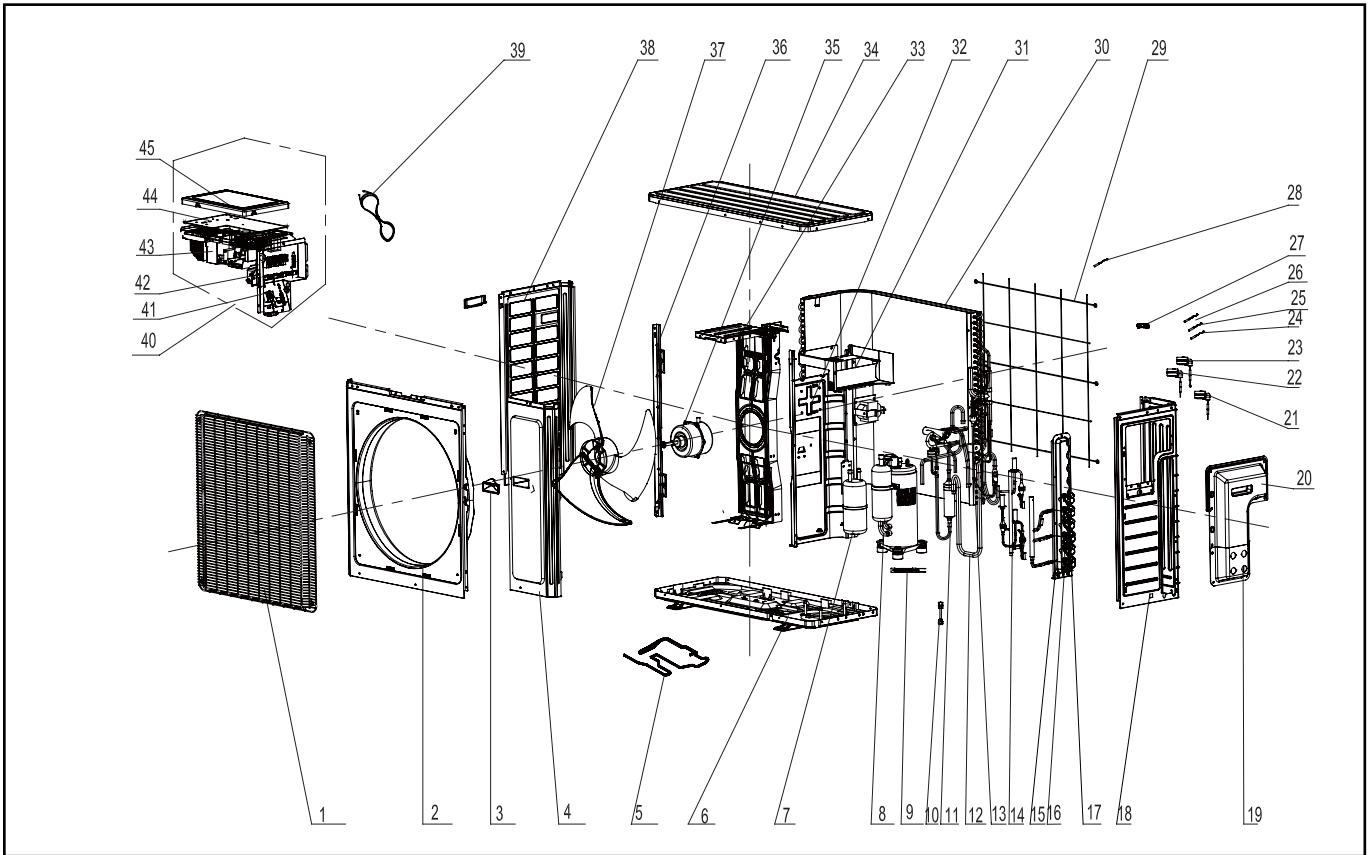
MARS®
Delivering Confidence

REPLACEMENT PARTS LIST

InverterFlex Series®
Outdoor Ductless Mini-Split

A-VFH24TB-1

EXPLODED VIEW



REPLACEMENT PARTS

Location	Part Name	Quantity	Part No.
1	Front Grill	1	01473050
2	Cabinet	1	0143500401P
3	Left Handle	1	02113031
4	Front Side Plate	1	01305086P
5	Electrical Heater (Chassis)	1	7651000411
6	Chassis Sub-assy	1	02803280P
7	Gas-liquid Separator (Accumulator)	1	07223048
8	Compressor and Fittings	3	0010524501
9	Electric Heater (Compressor Crankcase Heater)	1	7651873215
10	Tube Connector Sub-assy	1	06643008
11	4-Way Valve Assy	1	03015200001
12	Connection Pipe	1	03509700042
13	Coil for 4-Way Valve	1	4300040045
14	Electronic Expansion Valve assy	1	0713395301
15	Valve Support Assy	1	0713395401
16	Cut off Valve	1	07130239
17	Cut off Valve	1	07130239
18	Right Side Plate	1	0131410000901P
19	Wiring Cover Sub-assy	1	01264100034
20	Handle Assy	1	02204100008
21	Electric Expand Valve Fitting	1	43000084
22	Electric Expand Valve Fitting	1	4300008401
23	Electric Expand Valve Fitting	1	4300008402
24	Temperature Sensor	1	3900030901
25	Temperature Sensor	1	39000073
26	Temperature Sensor	1	3900007305/3900007306
27	Wiring Clamp	1	26115004
28	Temperature Sensor	1	3900030901
29	Rear Grill	1	01574100003
30	Condenser Assy	1	0116398001_L61437
31	Electric Box (Fireproofing)	1	01413426
32	Clapboard Sub-Assy	1	01233190
33	Motor Support Sub-Assy	1	017012000017
34	Top Cover Sub-Assy	1	01255007
35	Fan Motor	1	017012000017
36	Condenser Support Plate	1	01175092
37	Axial Flow Fan	1	10335014
38	Left Side Plate	1	01305043P
39	Connecting Cable	/	/
40	Electric Box Assy	1	10000100020_L61437
41	Terminal Board	1	42010178
42	Connection Support	1	01703211
43	Electric Box	1	20113015
44	Main Board	1	30138000311
45	Electric Box Cover Sub-Assy	1	02603217

Due to ongoing product improvements, specifications and dimensions are subject to change and correction without notice or incurring obligations. Determining the application and suitability for use of any product is the responsibility of the installer. Additionally, the installer is responsible for verifying dimensional data on the actual product prior to beginning any installation preparations.

Incentive and rebate programs have precise requirements as to product performance and certification. All products meet applicable regulations in effect on date of manufacture; however, certifications are not necessarily granted for the life of a product. Therefore, it is the responsibility of the applicant to determine whether a specific model qualifies for these incentive/rebate programs.

Comfort-Aire®  **Century**

1900 Wellworth Ave., Jackson, MI 49203 • Ph. 517-787-2100 • www.marsdelivers.com

