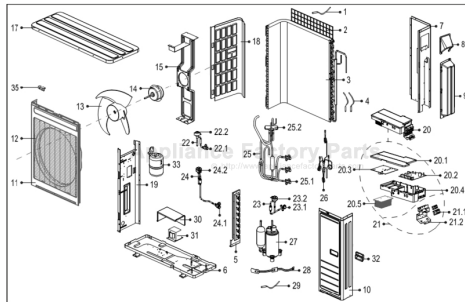


This Owner's Manual is provided and hosted by [Appliance Factory Parts](#).



COMFORT-AIRE A-VMH30TD-1 Owner's Manual

[Shop genuine replacement parts for COMFORT-AIRE
A-VMH30TD-1](#)



[Find Your COMFORT-AIRE HVAC Parts - Select From 1486 Models](#)

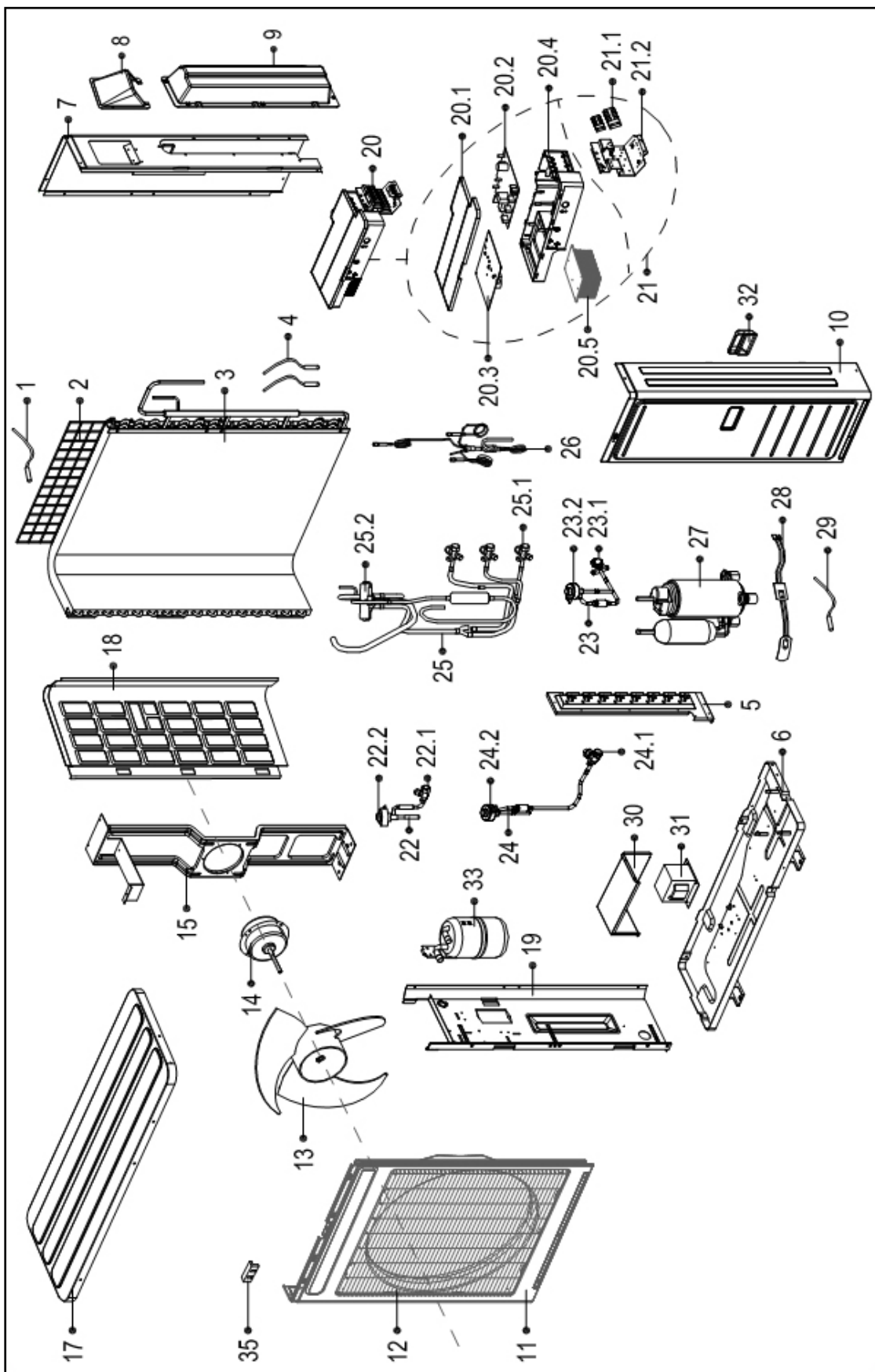
----- Manual continues below -----

HEAT CONTROLLER

**REPLACEMENT
PARTS LIST**

**Inverter Series
Outdoor Ductless Mini-Split
A-VMH30TD-1
Heat Pumps**

EXPLODED VIEW



REPLACEMENT PARTS

Location	Part Name	Quantity	Part No.
1	Ambient temperature sensor assembly	1	202301310075
2	Rear net	1	201248200136
3	Condenser assembly	1	201557190037
4	Pipe temperature sensor assembly	1	202301300422
4	Pipe temperature sensor assembly	1	202301300111
5	Valve plate	1	201257190111
6	Chassis assembly	1	2012753A0097
7	Rear right clapboard assembly	1	201257190095
8	Big handle	1	201257190121
9	Water collector	1	201157190014
10	Front right clapboard assembly	1	201248200082
11	Front panel	1	201248200132
12	Air outlet grille	1	201238090068
13	Axial flow fan	1	201100300527
14	Brushless DC Motor	1	202400300047
15	Supporter assembly of fan motor	1	201257190071
17	Top cover assembly	1	201248300309
18	Left supporter	1	201248400034
19	Partition board assembly	1	201257190115
20	Electronic control box assembly	1	203357190098
20.1	Cover of electronic control box	1	201157190011
20.2	Outdoor main control board assembly	1	201357190102
20.3	Inverter control board assembly	1	201357190085
20.4	Electronic installing box	1	201157190010
20.5	Radiator	1	202301901173
21	Terminal board assembly	1	203357190099
21.1	Wire joint	2	202301450156
21.2	Terminal board	1	201257190120
22	Liquid valve assembly	1	201657190352
22.1	Liquid valve	1	201600740091
22.2	Electronic expansion valve assembly	1	201601300658
23	Liquid valve assembly	1	2016571A0069
23.1	Liquid valve	1	201600740091
23.2	Electronic expansion valve assembly	1	201601300658
24	Liquid valve assembly	1	201657190542
24.1	Liquid valve	1	201600740091
24.2	Electronic expansion valve assembly	1	201601300658
25	4-way valve assembly	1	201657190430
25.1	Gas valve	3	201600720091
25.2	4-way valve	1	201600600119
26	Capillary assembly	1	201657190429
27	Compressor	1	201400601740
28	Crankcase electric heater	1	202403101715
29	Discharge temperature sensor assembly	1	202448200000
30	Cover of inductance	1	201248390003
31	Reactor	1	202301000943
32	Handle	2	201148700009
33	Accumulator cylinder	1	201601000620
35	Clamp of front net	8	201135110801

Due to ongoing product improvements, specifications and dimensions are subject to change and correction without notice or incurring obligations. Determining the application and suitability for use of any product is the responsibility of the installer. Additionally, the installer is responsible for verifying dimensional data on the actual product prior to beginning any installation preparations.

Incentive and rebate programs have precise requirements as to product performance and certification. All products meet applicable regulations in effect on date of manufacture; however, certifications are not necessarily granted for the life of a product. Therefore, it is the responsibility of the applicant to determine whether a specific model qualifies for these incentive/rebate programs.

HEAT CONTROLLER

1900 Wellworth Ave., Jackson MI 49203 • Ph. 517-787-2100 • www.heatcontroller.com

A  Company