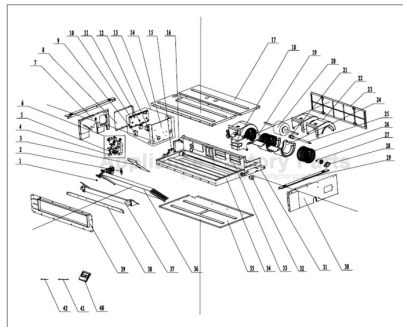


This Owner's Manual is provided and hosted by [Appliance Factory Parts](#).



COMFORT-AIRE B-VFH18DA-1 Owner's Manual

[Shop genuine replacement parts for COMFORT-AIRE
B-VFH18DA-1](#)



[Find Your COMFORT-AIRE HVAC Parts - Select From 1486 Models](#)

----- Manual continues below -----

Comfort-Aire®

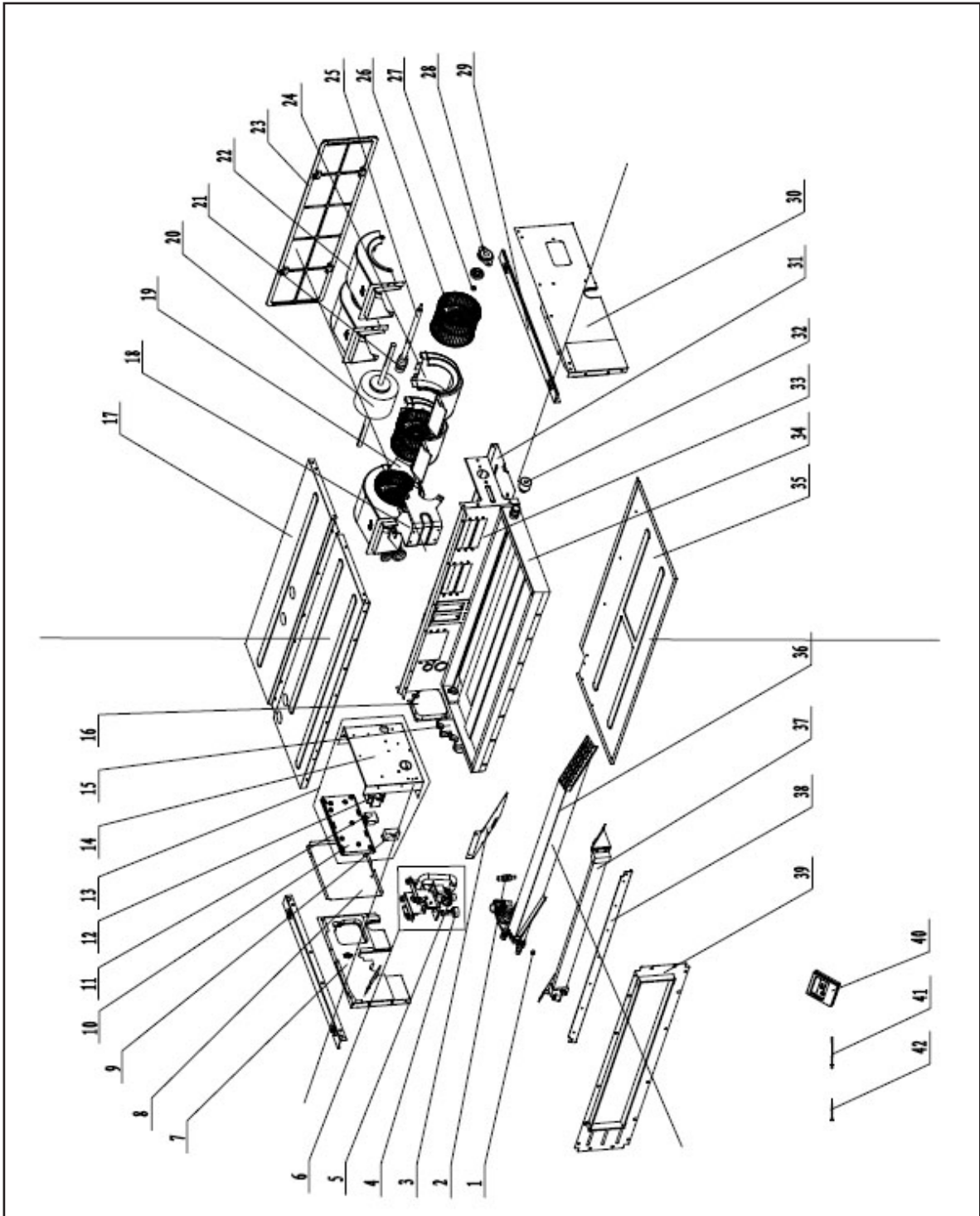
Century®

MARS®
Delivering Confidence

REPLACEMENT PARTS LIST

InverterFlex Series®
Indoor Ducted Mini-Split
B-VFH18DA-1
Heat Pumps

EXPLODED VIEW



REPLACEMENT PARTS

Location	Part Name	Quantity	Part No.
1	Filter Sub-Assy	1	11128633
2	Strainer	1	07414133
3	Sealplate sub-assy (evaporator)	1	01495317
4	Water Level Switch	1	45020216
5	Water Pump	1	43130324
6	Water Pump Assy	1	15405200082
7	Left Side Plate Assy	1	01315334
8	Electric Box Cover	1	01424253
9	Capacitor CBB61	1	33010027
10	Main Board	1	30226338
11	Terminal Board	1	420111041
12	Transformer	1	4311023303
13	Electric Box Assy	1	01395000001
14	Electric Box Sub-Assy	1	01395200071
15	Sealplate sub-assy (outlet)	1	01495316
16	Sealplate sub-assy (drainage)	1	01495315
17	Top Cover Board Assy	1	01265328
18	Motor Support	1	01804348
19	Bar Clasp	4	70819522
20	Fan Motor	1	15705218
21	Joint Slack	1	73018731
22	Front Volute Casing	3	26905205
23	Filter Sub-Assy	1	11725210
24	Rear Volute Casing	3	26905206
25	Rotary Axis Sub-Assy	1	73018020
26	Centrifugal Fan	3	10425200
27	Fan Bearing	1	76512210
28	Support Of Motor Bearing	1	01792408
29	Supporter	2	01895225
30	Right Side Plate Assy	1	01305263
31	Cover board (Fan motor)	1	01265333
32	Choke Plug of Drain Pipe	1	76815214
33	Fan Motor Mounting Plate Sub-Assy	1	01325200006
34	Water Tray Assy	1	01285333
35	Bottom Cover Plate	1	01265332
36	Evaporator Assy	1	01024268
38	Cover of Air Outlet	1	01265331
39	Air outlet frame assy	1	01865217
40	Wired stat	1	30296317L08294
41	Ambient Temperature Sensor	1	39000206
42	Temperature Sensor	1	390001982G
-	Remote Control Holder	1	26150008

Due to ongoing product improvements, specifications and dimensions are subject to change and correction without notice or incurring obligations. Determining the application and suitability for use of any product is the responsibility of the installer. Additionally, the installer is responsible for verifying dimensional data on the actual product prior to beginning any installation preparations.

Incentive and rebate programs have precise requirements as to product performance and certification. All products meet applicable regulations in effect on date of manufacture; however, certifications are not necessarily granted for the life of a product. Therefore, it is the responsibility of the applicant to determine whether a specific model qualifies for these incentive/rebate programs.

Comfort-Aire® **Century**®

1900 Wellworth Ave., Jackson, MI 49203 • Ph. 517-787-2100 • www.marsdelivers.com

