

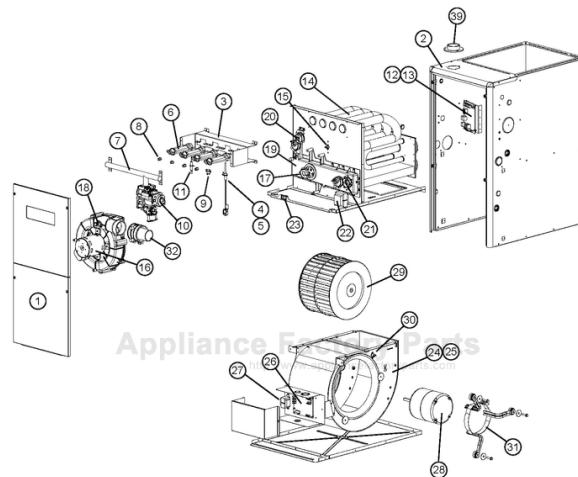
This Owner's Manual is provided and hosted by [Appliance Factory Parts](#).



COMFORT-AIRE GUH95T 100C5XE Owner's Manual

[Shop genuine replacement parts for COMFORT-AIRE
GUH95T 100C5XE](#)

GUH95T Upflow / Horizontal Component Location



[Find Your COMFORT-AIRE HVAC Parts - Select From 1486 Models](#)

----- Manual continues below -----

REPLACEMENT PARTS LIST

GUH95T Series

Two-Stage Condensing Gas Furnace with Variable Speed Blower

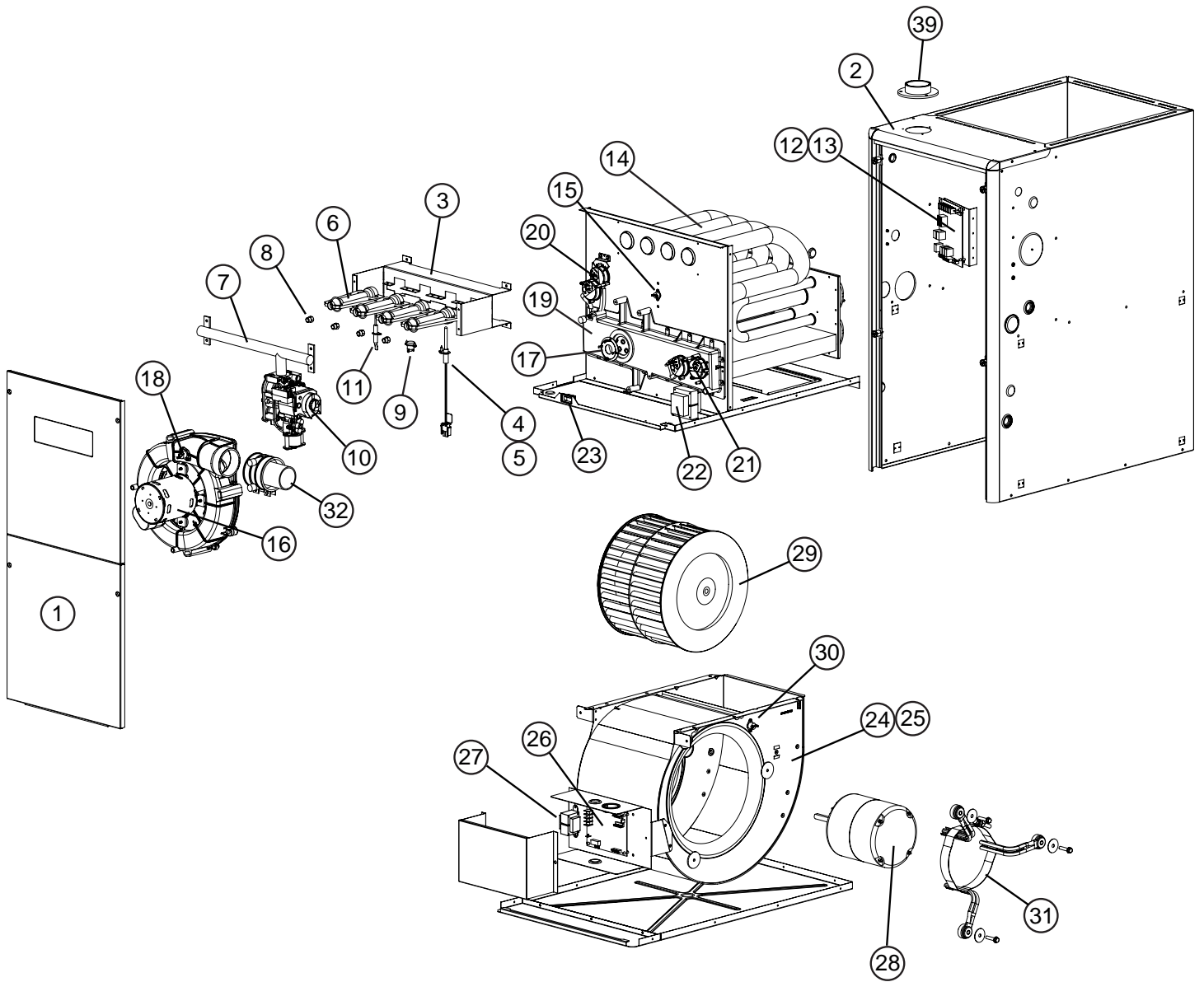


GUH95T Upflow / Horizontal Replacement Parts List 95.1% AFUE - Variable Speed

ITEM	DESCRIPTION	060B4XE	080C5XE	100C5XE	120D5XE
1	Door Set	904768Y	904769Y	904769Y	904770Y
2	Top Panel	2A9512R	2A9513R	2A9513R	2A9514R
3	Burner Assembly	904829	904830	904831	904832
4	Ignitor Assembly - Nitride	921074	921074	921074	921074
5	Igniter Bracket	299261R	299261R	299261R	299261R
6	Inshot Burner	661128	661128	661128	661128
7	Manifold, Burner Tube	664473	664243R	664244R	664245R
8	Orifice, Main Burner, Natural Gas	661045R	661045R	661045R	661045R
9	Flame Sensor	632484R	632484R	632484R	632484R
10	Gas Valve	624652R	624652R	624652R	624652R
11	Roll-Out Limit	626560R	626560R	626560R	626559R
12	Control Board	920916	920916	920916	920916
13	Fuse	632261	632261	632261	632261
14	Heat Exchanger	904792	904793	904794	904795
15	Main Air Limit	626598	626615	626561R	626561R
16	Inducer Motor	904799	904799	904799	904799
17	Inducer Orifice	669719R	669713R	151882R	Not Used
18	Inducer Limit	626599	626599	626599	626599
19	Outlet Header Box	904802	904803	904803	904804
20	Pressure Switches (Inducer)	632515R	632546R	632548R	632516R
21	Pressure Switches (Condensate)	632550R	632547R	632547R	632554R
22	Transformer	622341	622341	622341	622341
23	Door Switch	632125R	632125R	632125R	632125R
24	Blower Assembly	904877	904878	904878	904879
25	Blower Housing Assembly	297207R	297209R	297209R	297209R
26	Blower Control Board	922016	922016	922016	922016
27	Choke, Blower Motor	—	622340R	622340R	622340R
28	Motor, Blower	921650	921651	921651	921652
29	Wheel, Blower	667374R	667280R	667280R	667280R
30	Blower Limit	626611	626611	626611	626611
31	Repl. Motor Mount Kit	904907	904907	904907	904951
32	In-Line Drain Assembly	664435R	664435R	664435R	664435R
33	Drain Tube, Soft, 23" (Not Shown)	664434	664434	664434	664434
34	Drain Tube, Hard "J" (Not Shown)	663706R	663706R	663706R	663706R
35	Drain Tube, Soft, "J" 30" (Not Shown)	663707	663707	663707	663707
36	Tube, Soft, 6.5" (Not Shown)	663727	663727	663727	663727
37	Hose, High Temp (Not Shown)	263967R	263967R	263967R	263967R
38	Set of Wires (Not Shown)	M0036015R	M0036017R	M0036017R	M0036017R
39	Finish Flange, Inlet Air	664633	664633	664633	664633

Please specify the correct Model No., Serial No., and part number(s) when ordering parts from the nearest authorized dealer or service center.

GUH95T Upflow / Horizontal Component Location



HEAT CONTROLLER, INC.

Specifications & illustrations subject to change without notice or incurring obligations.
Jackson, MI | Printed in U.S.A. (03/13)



709508A (Replaces 7095080)