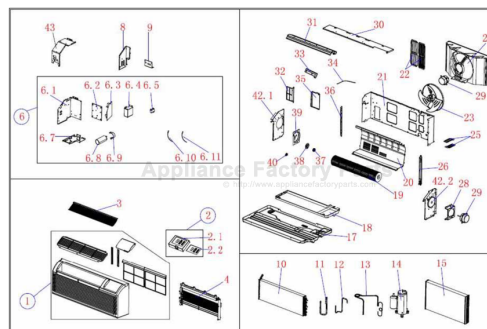


This Owner's Manual is provided and hosted by Appliance Factory Parts.



COMFORT-AIRE EKTH07G135A Owner's Manual

[Shop genuine replacement parts for COMFORT-AIRE
EKTH07G135A](#)



[Find Your COMFORT-AIRE HVAC Parts - Select From 1486 Models](#)

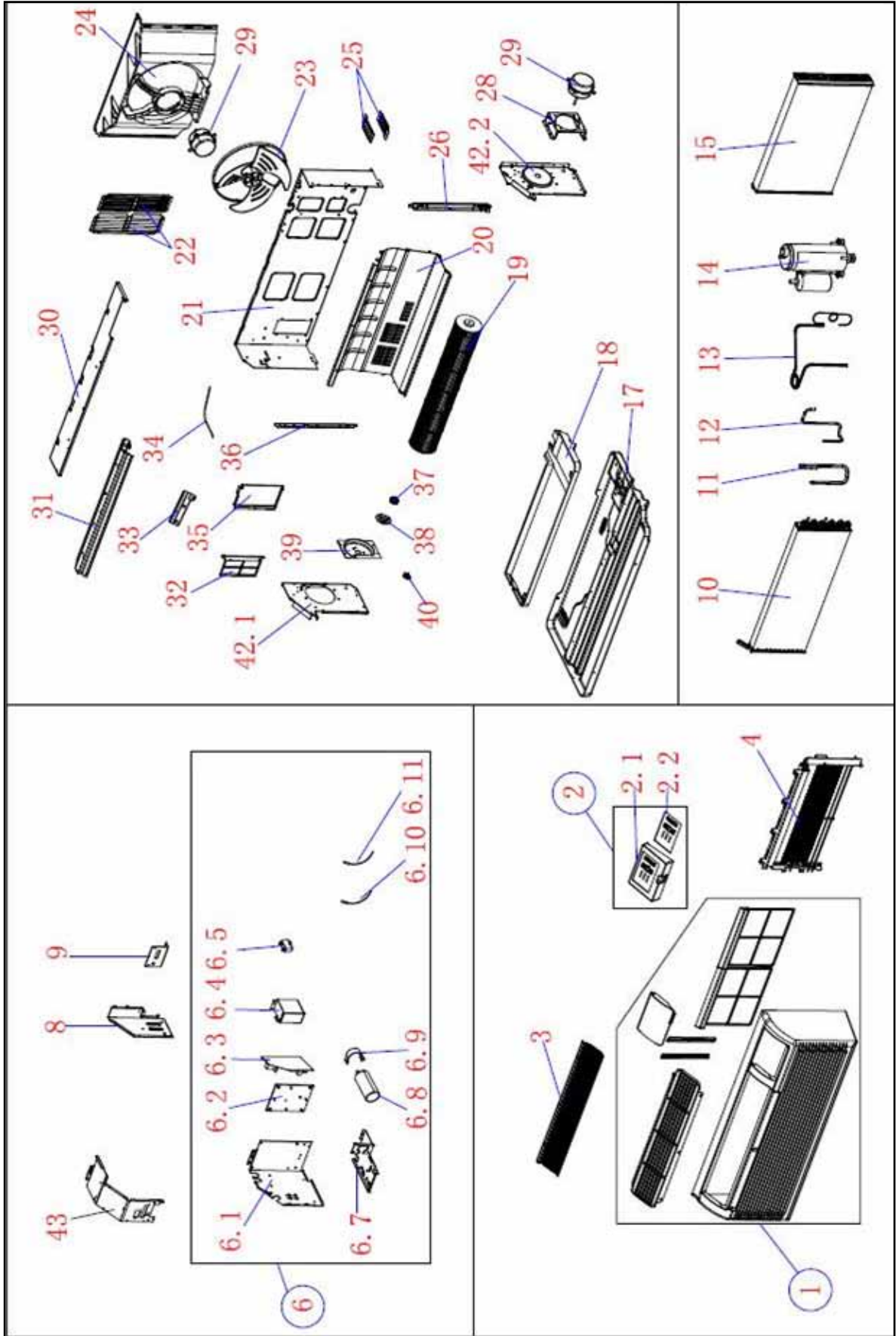
----- Manual continues below -----

HEAT CONTROLLER

**REPLACEMENT
PARTS LIST**

**Packaged Terminal
Heat Pump:
EKTH07G135A**

EXPLODED VIEW



REPLACEMENT PARTS

Location	Part Name	Quantity	Part No.
1	Panel frame assembly	1	201121890174
2	Display box assembly	1	2033218A0294
2.1	Control panel	1	201121790313
2.2	Display board assembly	1	201321890072
3	Air filter	1	201221890087
4	Electric heater	1	202403100888
6	Electronic control box assembly	1	2033212A0177
6.1	Cover of electronic control box	1	201221790252
6.2	Bracket of main control board I	1	201121790312
6.3	Main control board assembly	1	201321790144
6.4	Transformer	1	202300900727
6.5	Fan motor capacitor	1	202401100353
6.5	Fan motor capacitor	1	202401100004
6.7	Electronic control box	1	201221790249
6.8	Capacitor of compressor	1	202401000303
6.9	Capacitor clip	1	201200100026
6.11	Pipe temperature sensor assembly	1	202301300469
8	Cover of electronic control box	1	201221790250
10	Evaporator coil assembly	1	201521490085
11	Suction pipe assembly	1	201621290212
12	Discharge pipe	1	202301610702
13	Capillary assembly	1	201621290186
14	Compressor	1	201400603021
15	Condenser assembly	1	201521490087
16	Discharge temperature sensor assembly	2	202301310068
17	Chassis assembly	1	201221790237
18	Water collector	1	202221790021
19	Cross flow fan	1	201100200047
20	Volute shell	1	201221890085
21	Front separating board	1	201221790246
22	Horizontal louver	2	202921790001
23	Axial flow fan	1	201100300049
24	Rear separating	1	201121790307
25	Linker for front separating board	2	201221790236
26	Fixing board right	1	201221790256
28	Supporter assembly of fan motor	1	201221790245
29	Asynchronous motor	1	202400401220
29	Asynchronous motor	1	202400401221
30	Front cover	1	201221790247
31	Volute shell assembly	1	201221890086
32	Fresh air door filter	1	201121790309
33	Connecting rod of fresh air door	1	201221790239
34	Wire, fresh air door	1	201221790240
35	Fresh air door	1	201221790259
36	Fixing board, left	1	201221790255
37	Bearing bracket	1	202732390001
38	Cover of Bearing bracket	1	201221790244
39	Wind baffle board	1	201221790243
40	Hook of Panel	2	201221790248
42	Supporter of air passage	1	201221890085
42.1	Supporter of air passage	1	201221790241
42.2	Supporter of air passage	1	201221790242
43	Cover of electronic control box	1	201221790254

Design, material, performance data and components subject to change without notice.

HEAT CONTROLLER

1900 Wellworth Ave., Jackson, Michigan 49203 • Ph. 517-787-2100 • Fax 517-787-9341

www.heatcontroller.com

THE QUALITY LEADER IN CONDITIONING AIR