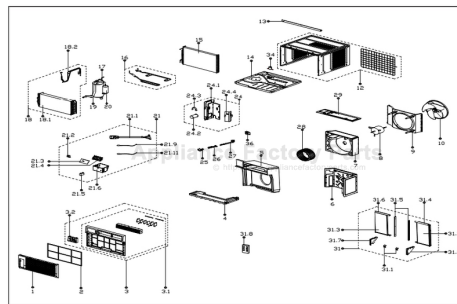


This Owner's Manual is provided and hosted by [Appliance Factory Parts](#).



# COMFORT-AIRE RADS-253M Owner's Manual

[Shop genuine replacement parts for COMFORT-AIRE  
RADS-253M](#)



EXPLODED VIEW  
RADS-253M (1/11)  
RADS-253M (1/11)  
RADS-253M (1/11)  
RADS-253M (1/11)  
RADS-253M (1/11)

[Find Your COMFORT-AIRE Air Conditioner Parts - Select From 599 Models](#)

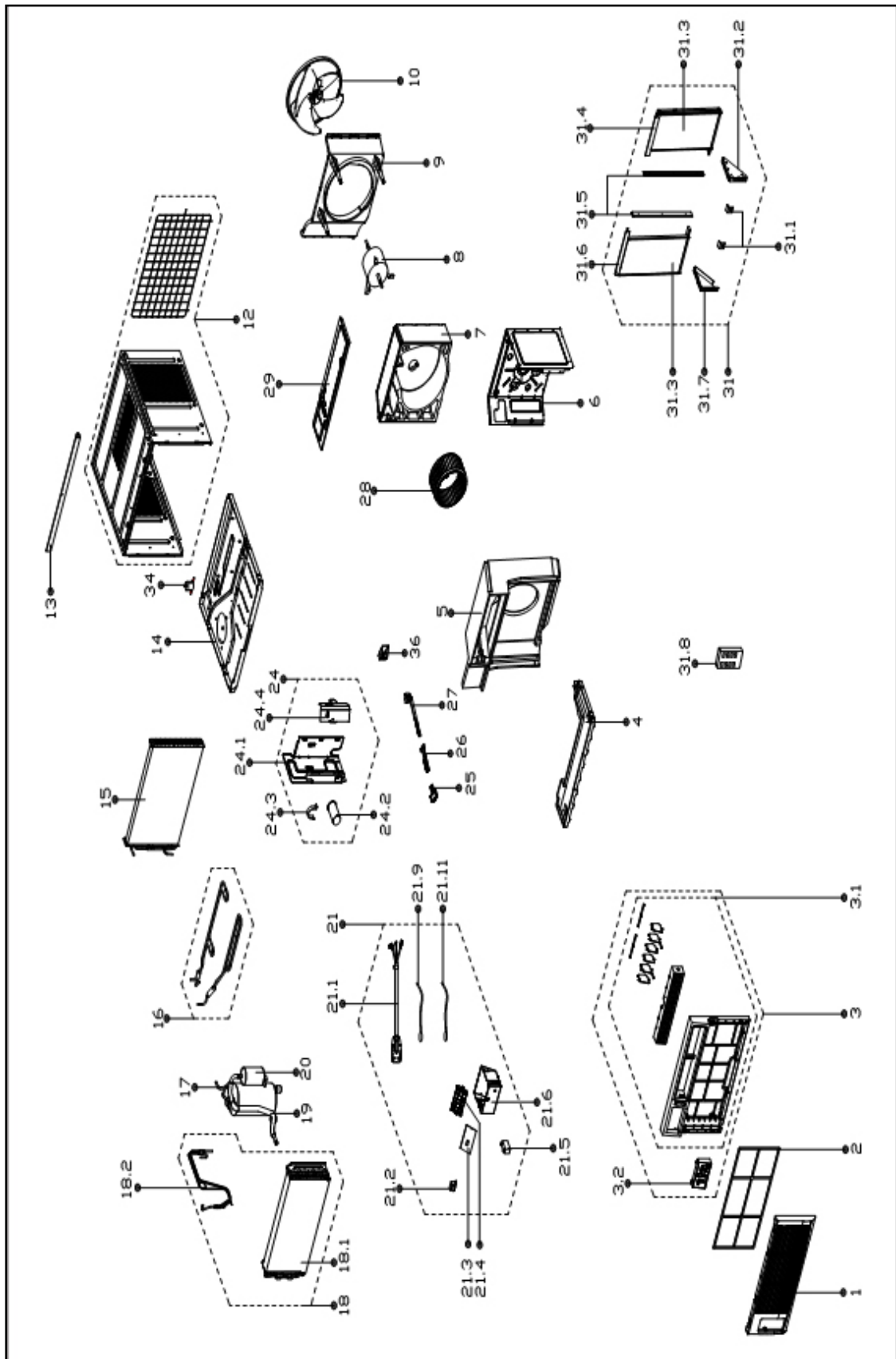
----- Manual continues below -----

HEAT CONTROLLER

**REPLACEMENT  
PARTS LIST**

**Room Air Conditioner with R-410A:  
RADS-253M**

# EXPLODED VIEW



## REPLACEMENT PARTS

| Location | Part Name  | Quantity | Part No.       |
|----------|--|----------|----------------|
| 1        | Panel  | 1.0      | 12120300A00719 |
| 2        | Filter   | 1.0      | 12100204A00042 |
| 3        | Front panel and Panel frame assembly                   | 1.0      | 12120300A01000 |
| 3.1      | Front panel and Panel frame assembly                   | 1.0      | 12120300A00813 |
| 3.2      | Structure Subassembly of Display Box                   | 1.0      | 17220300A00454 |
| 4        | Drain Pan  | 1.0      | 12820300000026 |
| 5        | Front Air Duct Foam                                    | 1.0      | 12820300000135 |
| 6        | Front right Boarding assembly                          | 1.0      | 12220300000573 |
| 7        | Rear Air Duct Foam                                     | 1.0      | 12820300000043 |
| 8        | Single-phase Asynchronous Motor                        | 1.0      | 11002012004746 |
| 9        | Rear barrier Subassembly                               | 1.0      | 12120300000555 |
| 10       | Axial fan  | 1.0      | 12100105000076 |
| 12       | Shell Assembly   | 1.0      | 12220300000811 |
| 13       | Upper Shutter Frame Subassembly                        | 1.0      | 12220300000908 |
| 14       | Chassis Assembly                                       | 1.0      | 12220300000397 |
| 15       | Condenser Assembly                                     | 1.0      | 15820300000746 |
| 16       | Sub-cooling pipe assembly                              | 1.0      | 15120300001135 |
| 17       | Compressor exhaust pipe                                | 1.0      | 15120300000891 |
| 18       | Evaporator assembly Gas valve assembly                 | 1.0      | 15820300000040 |
| 18.1     | Evaporator   | 1.0      | 15820300000414 |
| 18.2     | Capillary Assembly                                     | 1.0      | 15120300001154 |
| 19       | Parts of compressor return pipe                        | 1.0      | 15120300001305 |
| 20       | Fixed speed rotary compressor                          | 1.0      | 11103010000873 |
| 21       | E-Parts Box Subassembly of Upper Air-out Window Series | 1.0      | 17220300000523 |
| 21.1     | Power Supply Cable Subassembly                         | 1.0      | 17401202000107 |
| 21.2     | Power Transformer                                      | 1.0      | 11203103000249 |
| 21.3     | Main Control Board Subassembly                         | 1.0      | 17120300000549 |
| 21.4     | Mounting rack of main control panel                    | 1.0      | 12120300000521 |
| 21.5     | Fan Capacitor  | 1.0      | 17400101000001 |
| 21.6     | Welding Parts of Electrical Control Box                | 1.0      | 12220300000503 |
| 21.9     | Room Temperature Sensor                                | 1.0      | 11201007000003 |
| 21.11    | Temperature Sensor                                     | 1.0      | 11201007000126 |
| 24       | Front left Boarding                                    | 1.0      | 12220300000578 |
| 24.1     | Front left Boarding assembly                           | 1.0      | 12220300000589 |
| 24.2     | Compressor Capacitor(Round)                            | 1.0      | 17400103000033 |
| 24.3     | Capacitor Clamp  | 1.0      | 12200203000029 |
| 24.4     | Electrical Heating and Installing Box                  | 1.0      | 12220300000459 |
| 25       | Pull rod II-B7 of new vent door                        | 1.0      | 12120300001278 |
| 26       | Pocket II of new vent door                             | 1.0      | 12120300001286 |
| 27       | Pull rod I of new vent door                            | 1.0      | 12120300000425 |
| 28       | Centrifugal Fan  | 1.0      | 12100103000103 |
| 29       | Front clapboard  | 1.0      | 12220300000523 |
| 31       | Installing Accessories                                 | 1.0      | 12020300A00074 |
| 31.1     | Installing Located Block                               | 2.0      | 12220300000536 |
| 31.2     | Right clapboard  | 1.0      | 12220300000929 |
| 31.3     | Shutter  | 2.0      | 12120300001326 |
| 31.4     | Right shutter frame                                    | 1.0      | 12120300001361 |
| 31.5     | Connection Bar on Case                                 | 2.0      | 12120300001342 |
| 31.6     | Left frame strip                                       | 1.0      | 12120300001376 |
| 31.7     | Left supporting panel                                  | 1.0      | 12220300000932 |
| 31.8     | Remote controller                                      | 1.0      | 17317000A03529 |
| 36       | Pocket of vent door                                    | 1.0      | 12120300001264 |
|          | Display label  | 1.0      | 16020300A02056 |

Due to ongoing product improvements, specifications and dimensions are subject to change and correction without notice or incurring obligations. Determining the application and suitability for use of any product is the responsibility of the installer. Additionally, the installer is responsible for verifying dimensional data on the actual product prior to beginning any installation preparations.

Incentive and rebate programs have precise requirements as to product performance and certification. All products meet applicable regulations in effect on date of manufacture; however, certifications are not necessarily granted for the life of a product. Therefore, it is the responsibility of the applicant to determine whether a specific model qualifies for these incentive/rebate programs.

# HEAT CONTROLLER

1900 Wellworth Ave., Jackson MI 49203 • Ph. 517-787-2100 • [www.heatcontroller.com](http://www.heatcontroller.com)

A  Company