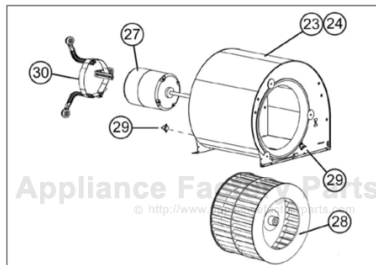


This Owner's Manual is provided and hosted by [Appliance Factory Parts](#).



COMFORT-AIRE GDD080-35C Owner's Manual

[Shop genuine replacement parts for COMFORT-AIRE
GDD080-35C](#)



[Find Your COMFORT-AIRE HVAC Parts - Select From 1486 Models](#)

----- Manual continues below -----

HEAT CONTROLLER

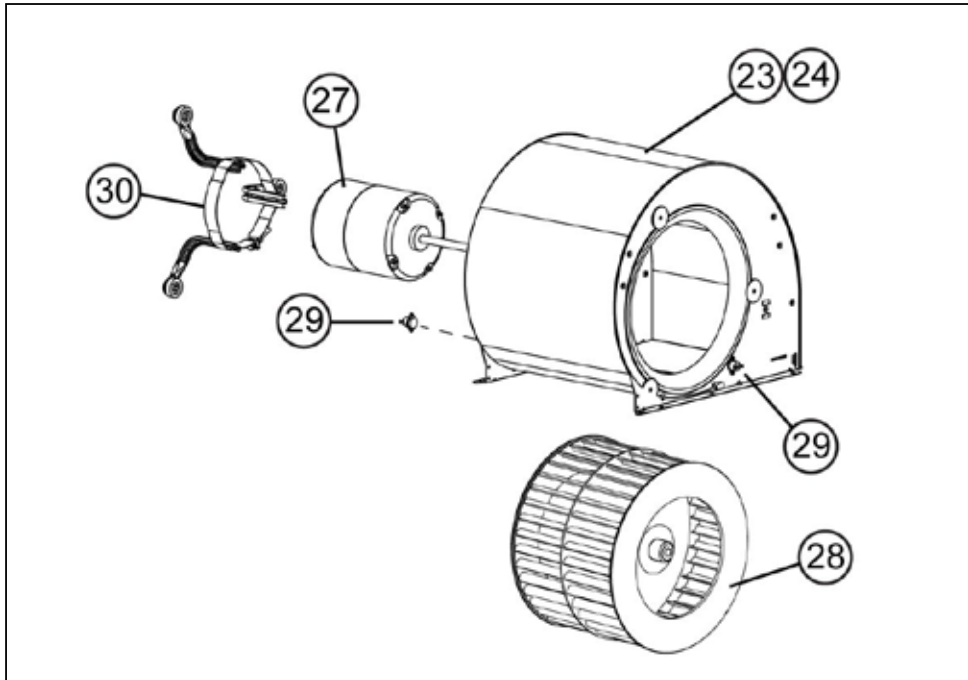
**REPLACEMENT
PARTS LIST**

**Fixed & Variable Speed
High Efficiency Blower Kits**

GDD 80%

GDD 92% & 95%

EXPLODED VIEW - GDD 80% Blower Kit



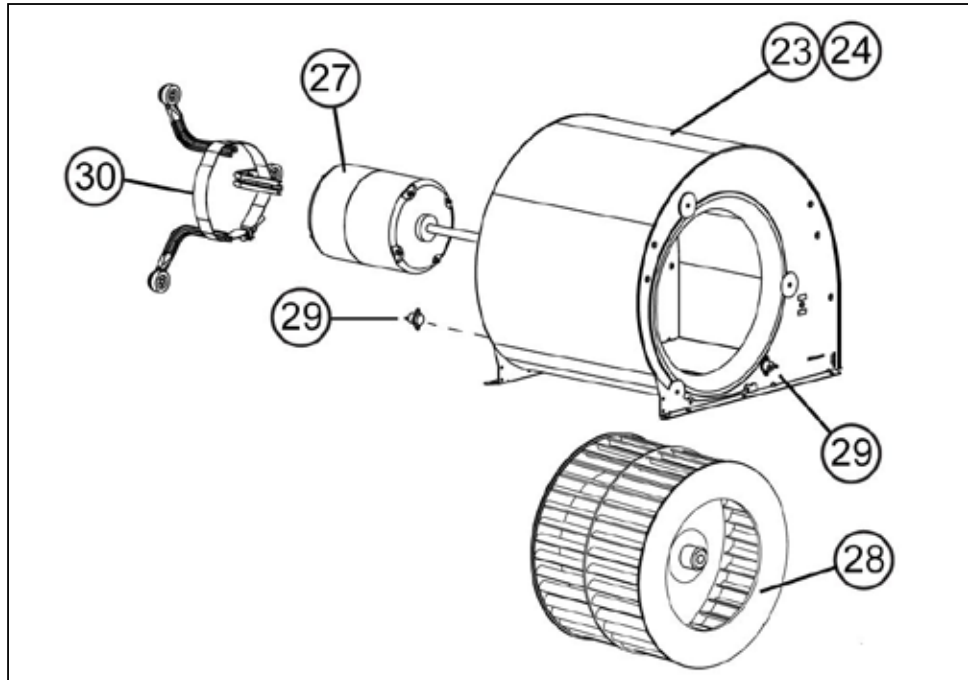
REPLACEMENT PARTS - GDD 80% Blower Kit - FIXED SPEED

Location	Part Name	060-23A	080-24B	100-24B	100-35C	120-35C	140-45D
23	Blower Assembly	904872	904873	904873	904874	904874	904875
24	Blower Housing Assembly	297200R	297207R	297207R	297204R	297204R	297209R
25	Blower Control Board	920920	920920	920920	920920	920920	920920
26	Choke, Blower Motor	Not Used	Not Used	Not Used	622340	622340	622340
27	Motor, Blower	921650	921650	921651	921651	921651	921652
28	Wheel, Blower	667375	667374	667374	667280	667280	667280
29	Blower Limit	626581	626581	626581	626581	626581	626581
30	Repl. Motor Mount Kit	904867	904907	904907	904907	904907	904951

REPLACEMENT PARTS - GDD 80% Blower Kit - VARIABLE SPEED

Location	Part Name	060-VA	080-VB	100-VC	120-VC
23	Blower Assembly	904876	904877	904878	904878
24	Blower Housing Assembly	297200R	297207R	297204R	297204R
25	Blower Control Board (For units produced prior to 8/31/2012)	920918	920918	920918	920918
	Blower Control Board (For units produced on or after 9/1/2012)	922016	922016	922016	922016
26	Choke, Blower Motor	Not Used	Not Used	622340	622340
27	Motor, Blower	921650	921650	921651	921651
28	Wheel, Blower	667375	667374	667280	667280
29	Blower Limit	626581	626581	626581	626581
30	Repl. Motor Mount Kit	904867	904907	904907	904907

EXPLODED VIEW - GDD 92% & 95% Blower Kit



REPLACEMENT PARTS - GDD 92% & 95% Blower Kit - FIXED SPEED

Location	Part Name	060-24B	080-35C	100-35C	120-45D
23	Blower Assembly	904873	904874	904874	904875
24	Blower Housing Assembly	297207R	297209R	297209R	297209R
25	Blower Control Board	920920	920920	920920	920920
26	Choke, Blower Motor	Not Used	622340	622340	622340
27	Motor, Blower	921650	921651	921651	921652
28	Wheel, Blower	667374	667280	667280	667280
29	Blower Limit	626581	626581	626581	626581
30	Repl. Motor Mount Kit	904907	904907	904907	904951

REPLACEMENT PARTS - GDD 92% & 95% Blower Kit - VARIABLE SPEED

Location	Part Name	060-VB	080-VC	100-VC	120-VD
23	Blower Assembly	904877	904878	904878	904879
24	Blower Housing Assembly	297207R	297209R	297209R	297209R
25	Blower Control Board (For units produced prior to 8/31/2012)	920918	920918	920918	920918
	Blower Control Board (For units produced on or after 9/1/2012)	922016	922016	922016	922016
26	Choke, Blower Motor	Not Used	622340	622340	622340
27	Motor, Blower	921650	921651	921651	921652
28	Wheel, Blower	667374	667280	667280	667280
29	Blower Limit	626581	626581	626581	626581
30	Repl. Motor Mount Kit	904907	904907	904907	904951

Due to ongoing product improvements, specifications and dimensions are subject to change and correction without notice or incurring obligations. Determining the application and suitability for use of any product is the responsibility of the installer. Additionally, the installer is responsible for verifying dimensional data on the actual product prior to beginning any installation preparations.

Incentive and rebate programs have precise requirements as to product performance and certification. All products meet applicable regulations in effect on date of manufacture; however, certifications are not necessarily granted for the life of a product. Therefore, it is the responsibility of the applicant to determine whether a specific model qualifies for these incentive/rebate programs.

HEAT CONTROLLER

1900 Wellworth Ave., Jackson MI 49203 • Ph. 517-787-2100 • www.heatcontroller.com

A  Company