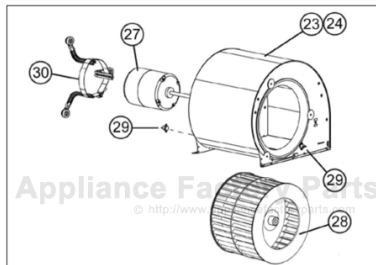


This Owner's Manual is provided and hosted by [Appliance Factory Parts](http://www.ApplianceFactoryParts.com).



COMFORT-AIRE GDD080-VC Owner's Manual

[Shop genuine replacement parts for COMFORT-AIRE
GDD080-VC](#)



[Find Your COMFORT-AIRE HVAC Parts - Select From 1486 Models](#)

----- Manual continues below -----

HEAT CONTROLLER

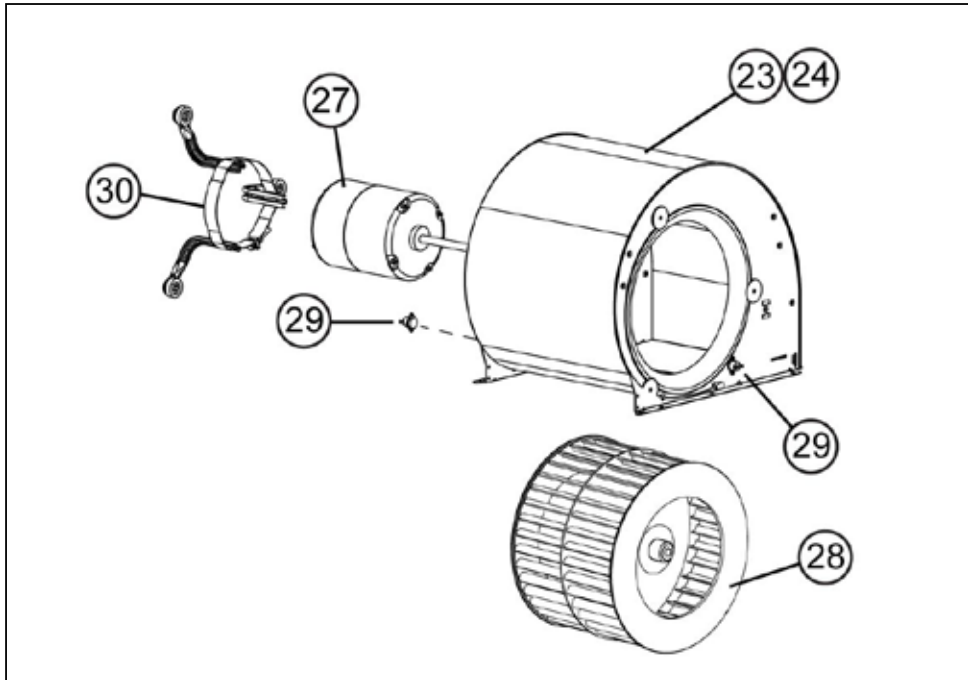
**REPLACEMENT
PARTS LIST**

**Fixed & Variable Speed
High Efficiency Blower Kits**

GDD 80%

GDD 92% & 95%

EXPLODED VIEW - GDD 80% Blower Kit



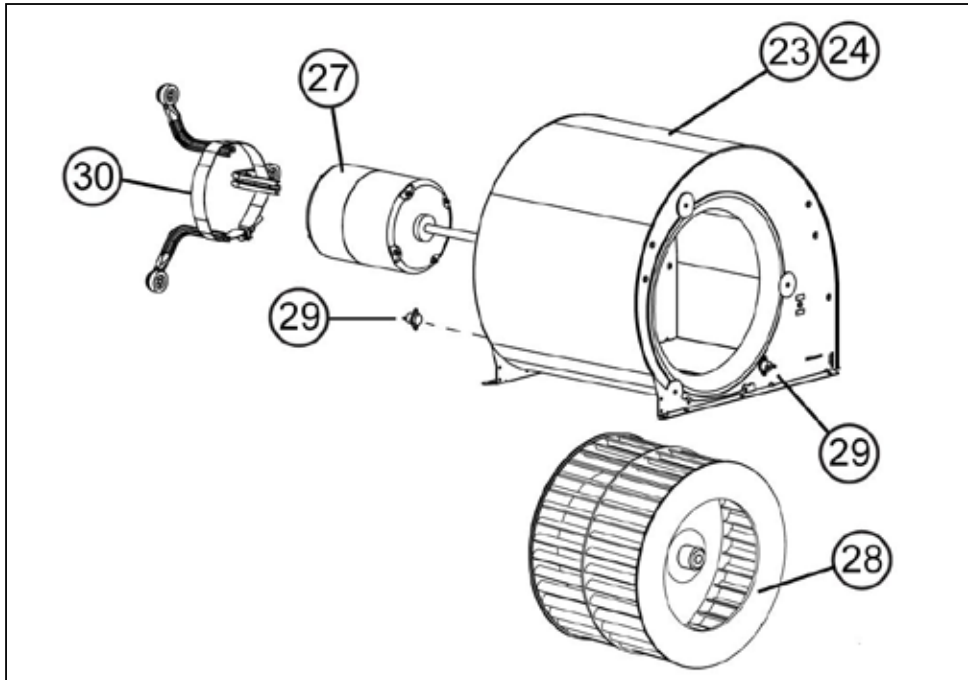
REPLACEMENT PARTS - GDD 80% Blower Kit - FIXED SPEED

| Location | Part Name | 060-23A | 080-24B | 100-24B | 100-35C | 120-35C | 140-45D |
|----------|-------------------------|----------|----------|----------|---------|---------|---------|
| 23 | Blower Assembly | 904872 | 904873 | 904873 | 904874 | 904874 | 904875 |
| 24 | Blower Housing Assembly | 297200R | 297207R | 297207R | 297204R | 297204R | 297209R |
| 25 | Blower Control Board | 920920 | 920920 | 920920 | 920920 | 920920 | 920920 |
| 26 | Choke, Blower Motor | Not Used | Not Used | Not Used | 622340 | 622340 | 622340 |
| 27 | Motor, Blower | 921650 | 921650 | 921651 | 921651 | 921651 | 921652 |
| 28 | Wheel, Blower | 667375 | 667374 | 667374 | 667280 | 667280 | 667280 |
| 29 | Blower Limit | 626581 | 626581 | 626581 | 626581 | 626581 | 626581 |
| 30 | Repl. Motor Mount Kit | 904867 | 904907 | 904907 | 904907 | 904907 | 904951 |

REPLACEMENT PARTS - GDD 80% Blower Kit - VARIABLE SPEED

| Location | Part Name | 060-VA | 080-VB | 100-VC | 120-VC |
|----------|---|----------|----------|---------|---------|
| 23 | Blower Assembly | 904876 | 904877 | 904878 | 904878 |
| 24 | Blower Housing Assembly | 297200R | 297207R | 297204R | 297204R |
| 25 | Blower Control Board (For units produced prior to 8/31/2012) | 920918 | 920918 | 920918 | 920918 |
| | Blower Control Board (For units produced on or after 9/1/2012) | 922016 | 922016 | 922016 | 922016 |
| 26 | Choke, Blower Motor | Not Used | Not Used | 622340 | 622340 |
| 27 | Motor, Blower | 921650 | 921650 | 921651 | 921651 |
| 28 | Wheel, Blower | 667375 | 667374 | 667280 | 667280 |
| 29 | Blower Limit | 626581 | 626581 | 626581 | 626581 |
| 30 | Repl. Motor Mount Kit | 904867 | 904907 | 904907 | 904907 |

EXPLODED VIEW - GDD 92% & 95% Blower Kit



REPLACEMENT PARTS - GDD 92% & 95% Blower Kit - FIXED SPEED

| Location | Part Name | 060-24B | 080-35C | 100-35C | 120-45D |
|----------|-------------------------|----------|---------|---------|---------|
| 23 | Blower Assembly | 904873 | 904874 | 904874 | 904875 |
| 24 | Blower Housing Assembly | 297207R | 297209R | 297209R | 297209R |
| 25 | Blower Control Board | 920920 | 920920 | 920920 | 920920 |
| 26 | Choke, Blower Motor | Not Used | 622340 | 622340 | 622340 |
| 27 | Motor, Blower | 921650 | 921651 | 921651 | 921652 |
| 28 | Wheel, Blower | 667374 | 667280 | 667280 | 667280 |
| 29 | Blower Limit | 626581 | 626581 | 626581 | 626581 |
| 30 | Repl. Motor Mount Kit | 904907 | 904907 | 904907 | 904951 |

REPLACEMENT PARTS - GDD 92% & 95% Blower Kit - VARIABLE SPEED

| Location | Part Name | 060-VB | 080-VC | 100-VC | 120-VD |
|----------|---|----------|---------|---------|---------|
| 23 | Blower Assembly | 904877 | 904878 | 904878 | 904879 |
| 24 | Blower Housing Assembly | 297207R | 297209R | 297209R | 297209R |
| 25 | Blower Control Board (For units produced prior to 8/31/2012) | 920918 | 920918 | 920918 | 920918 |
| | Blower Control Board (For units produced on or after 9/1/2012) | 922016 | 922016 | 922016 | 922016 |
| 26 | Choke, Blower Motor | Not Used | 622340 | 622340 | 622340 |
| 27 | Motor, Blower | 921650 | 921651 | 921651 | 921652 |
| 28 | Wheel, Blower | 667374 | 667280 | 667280 | 667280 |
| 29 | Blower Limit | 626581 | 626581 | 626581 | 626581 |
| 30 | Repl. Motor Mount Kit | 904907 | 904907 | 904907 | 904951 |

Due to ongoing product improvements, specifications and dimensions are subject to change and correction without notice or incurring obligations. Determining the application and suitability for use of any product is the responsibility of the installer. Additionally, the installer is responsible for verifying dimensional data on the actual product prior to beginning any installation preparations.

Incentive and rebate programs have precise requirements as to product performance and certification. All products meet applicable regulations in effect on date of manufacture; however, certifications are not necessarily granted for the life of a product. Therefore, it is the responsibility of the applicant to determine whether a specific model qualifies for these incentive/rebate programs.

HEAT CONTROLLER

1900 Wellworth Ave., Jackson MI 49203 • Ph. 517-787-2100 • www.heatcontroller.com

A  Company