

This Owner's Manual is provided and hosted by [Appliance Factory Parts](#).



COMFORT-AIRE SMH18-B Owner's Manual

[Shop genuine replacement parts for COMFORT-AIRE
SMH18-B](#)



[Find Your COMFORT-AIRE HVAC Parts - Select From 1486 Models](#)

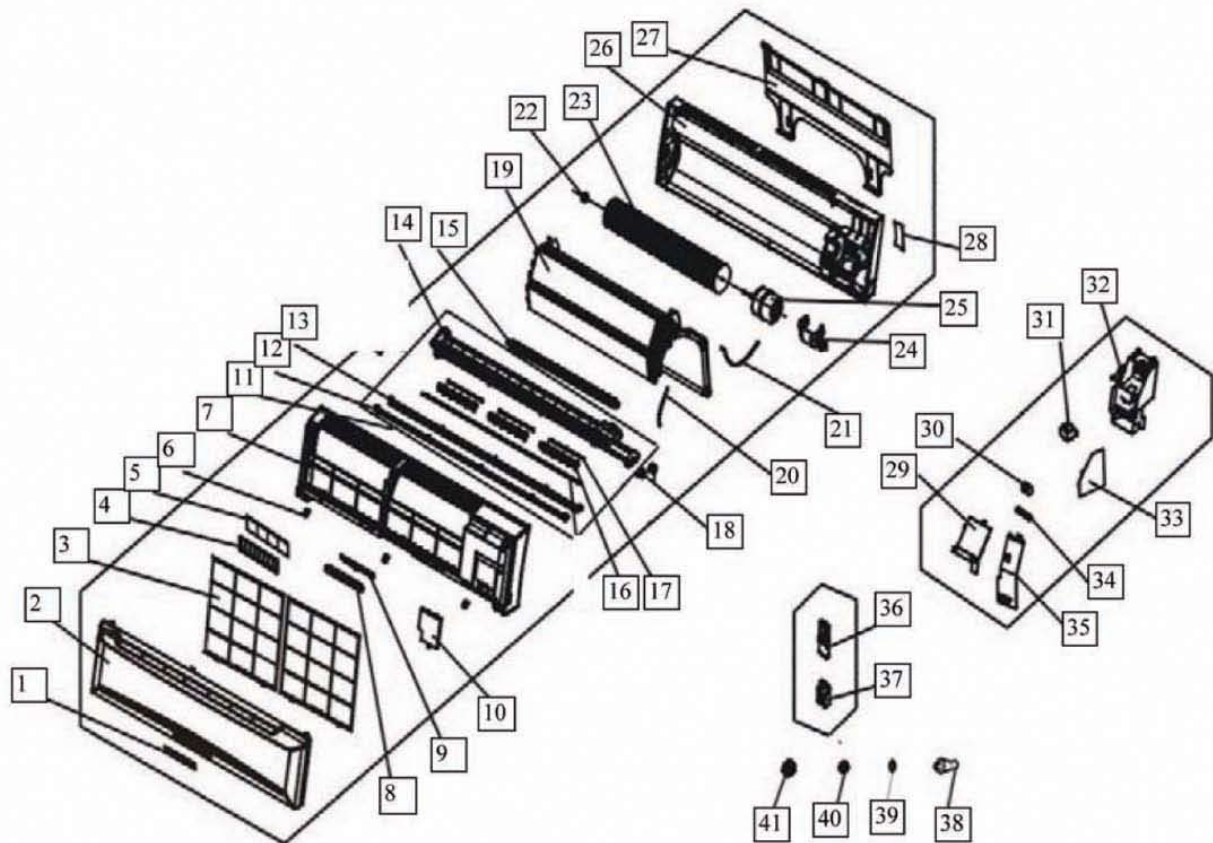
----- Manual continues below -----

HEAT CONTROLLER, INC.

**REPLACEMENT
PARTS**

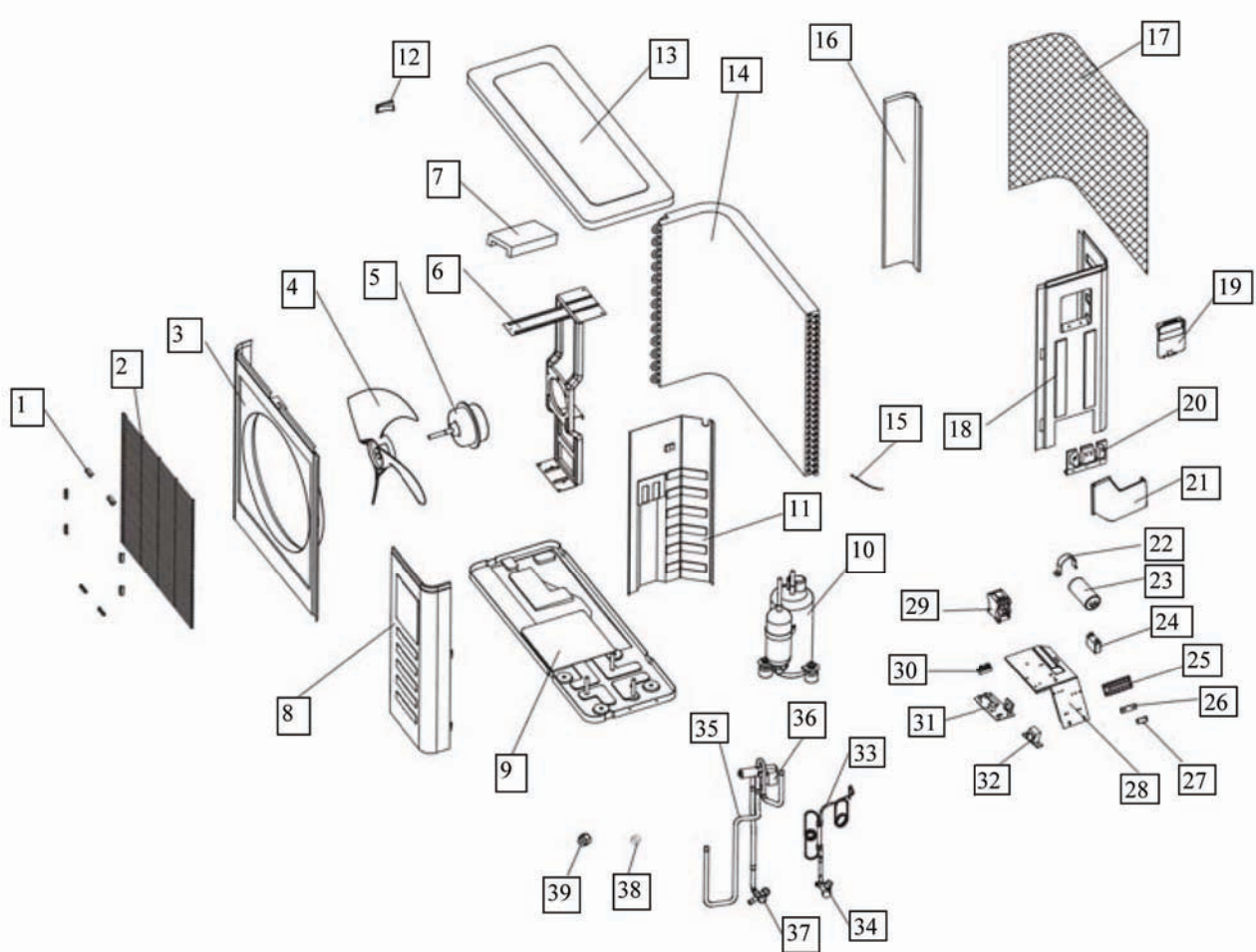
**“S” Series Mini-Split
Version B**

SMH18SB-1



No.	Part Name	Quantity	Sale code	BOM Code
1	Indicator for LED	1	13518111001	2113029215
2	Panel Ass'y	1	13528111001	2113079316
3	air filter	2	13528111002	2113079315
4	Air cleaner	1	10109121226	2113010212
5	Air cleaner holder	1	10109121225	2113010217
6	Screw cap	3	13528111003	2113079313
7	Panel frame assy	1	13528111004	2113079317
8	display board holder	1	13518111007	2113029159
9	display board assy	1	13518111008	2333029078
10	Window cover for repairing	1	10321111052	2113079486
11	Air out frame assy	1	10312121797	2113079322
12	Horizontal louver. up	1	13528111006	2113079568
13	Horizontal louver. down	1	13528111007	2113079569
14	Air out frame	1	13528111010	2113079567
15	Drain Hose	1	10321111053	2110109005
16	Grille holder	3	10321121006	2113079145
17	Vertical louver	15	13528111012	2113079570
18	Louver motor	1	10105111047	2240020004
19	evaporator	1	10312121798	2153289012
20	Indoor temp sensor	1	15021111014	2243079040
21	Evaporator temp sensor	1	10109121242	2243069051
22	Bearing holder	1	10321111008	2273079001
23	Cross flow fan, assy	1	10321111009	2110029010
24	Fixing part for motor	1	10321111013	2113079045
25	Fan motor	1	13521311001	2240040720
26	Chassis	1	15021111015	2113079242
27	Installation Plate	1	10321111011	2123079017
28	Connecting pipe clamp	1	10321111015	2123079016
29	Fan motor capacitor	1	10109121819	2240110351
30	Wire joint, 4p	1	10609111006	2230145105
31	Transformer	1	10118121232	2230099003
32	E-Parts box	1	15009121005	2113309079
33	Main control board (including Program chip)	1	10312121868	2133289009
		1	10312121800	2130074134
34	Wire clamp for power cord	1	10121121234	2113070033
35	Cover for E-parts box	1	15021111017	2113079249
36	Remote Controller (FAHRENHEIT)	1	10312121791	203355090264
37	Holder, Remote Controller	1	10718121009	2113139022
38	connector for watering	1	11609121003	2110102011
39	seal	1	31009321021	2272009001
40	Copper nut, TLM-A01	1	10909121012	2160032000
41	Copper nut, TLM-C03	1	10912121019	2160032002

No.	Part Name	Quantity	Part Number	BOM Code
36	Remote Controller (CELSIUS)	1	10312122286	203355090365



No.	Part Name	Quantity	Sale code	BOM code
1	Clamp for front net	8	10112121801	2113511801
2	Front net	1	10321111044	2123539011
3	Front clapboard	1	53618121801	2124550037
4	Propeller fan	1	10118121804	2114550002
5	Fan Motor	1	10118123801	2240041715
6	Holder for fan motor	1	10118121809	2124550020
7	Foam over holder for motor	1	10118121807	2224550001
8	Front right clapboard	1	10118121803	2124551101
9	Chassis	1	10122113803	2124550022
10	Compressor	1	10336111818	2140063370
11	Separating board	1	10124111808	2123530552
12	Little Handle	1	10830121811	2115029006
13	Cover	1	10118121827	2124550031
14	Condenser	1	13821121801	2153549031
15	Outdoor pipe temp sensor	1	11442122804	2244120200
16	Left clapboard	1	10924121808	2124550032
17	Rear Net	1	10924121809	2114550004
18	Rear right clapboard	1	10309121010	2123549046
19	Big Handle	1	10309121003	2123529217
20	Installation plate for valves	1	10118113805	2123500018
21	Water collector	1	10118121832	2113529005
22	Capacitor Clamp	1	10112121814	2120010002
23	Compressor capacitor	1	50418121802	2240109012
24	Fan motor capacitor	1	10109121819	2240110351
25	Wire joint	1	10309121011	2230145099
26	Washer for wire joint	1	10112121817	2113500004
27	Clamp for wiring	1	10118121823	2124540027
28	E-parts installation box	1	10312121775	2123809000
29	Contacto	1	10121121806	2230085004
30	Wire joint for multiplexer	1	10121121809	2230145035
31	Main control board	1	15024121801	2133549110
32	Transformer	1	11018121010	2230090080
33	High Pressure Valve Ass'y	1	10321111816	2163789044
34	Liquid pipe valve	1	50118121802	2160074522
35	Low Pressure Valve Ass'y	1	10321111817	2163789060
36	4-way valve	1	12812121801	2160069011
37	Low Pressure Valve	1	50118121803	2160072617
38	Copper nut, TLM-A01	1	10909121012	2160032000
39	Copper nut, TLM-C03	1	10912121019	2160032002

**Design, materials, performance data and components
subject to change without notice.**

HEAT CONTROLLER, INC.

1900 Wellworth Ave Jackson, Michigan 49203 • Ph. 517-787-2100 • Fax 517-787-9341

THE QUALITY LEADER IN CONDITIONING AIR

www.heatcontroller.com