

This Owner's Manual is provided and hosted by [Appliance Factory Parts](#).



# COMFORT-AIRE AHCG120A-ZK Owner's Manual

[Shop genuine replacement parts for COMFORT-AIRE  
AHCG120A-ZK](#)



[Find Your COMFORT-AIRE HVAC Parts - Select From 1486 Models](#)

----- Manual continues below -----

HEAT CONTROLLER, INC.

# AHCG

Parts List  
29-March-2012



*This parts list is current as of the above revision date.*

Form Number: 92-42810-AHCG

# Table of Contents

|                              |         |
|------------------------------|---------|
| Model Explanation .....      | Page 3  |
| Parts Numbers                |         |
| Panels - Miscellaneous ..... | Page 4  |
| Blower Group 090 .....       | Page 5  |
| Blower Group 120 .....       | Page 6  |
| Blower Group 180-240 .....   | Page 7  |
| Coil Parts .....             | Page 8  |
| Drawings/Photographs         |         |
| Exploded View 090-120 .....  | Page 9  |
| Exploded View 180-240 .....  | Page 10 |
| Notes .....                  | Page 11 |

**MODEL NUMBER EXPLANATION**

|          |          |          |          |          |          |          |          |          |          |          |
|----------|----------|----------|----------|----------|----------|----------|----------|----------|----------|----------|
| <b>A</b> | <b>H</b> | <b>C</b> | <b>G</b> | <b>1</b> | <b>2</b> | <b>0</b> | <b>A</b> | <b>-</b> | <b>H</b> | <b>K</b> |
| 1        |          |          | 2        |          |          | 3        |          |          |          |          |

- (1) **SERIES**
- (2) **COOLING CAPACITY**  
 090 = 7.5 Tons  
 120 = 10 Tons  
 180 = 15.0 Tons  
 240 = 20.0 Tons
- (3) **OPTIONS**

**SERIAL NUMBER EXPLANATION**

|          |          |          |          |          |          |          |          |          |          |          |          |          |
|----------|----------|----------|----------|----------|----------|----------|----------|----------|----------|----------|----------|----------|
| <b>0</b> | <b>6</b> | <b>0</b> | <b>F</b> | <b>0</b> | <b>1</b> | <b>9</b> | <b>2</b> | <b>9</b> | <b>9</b> | <b>9</b> | <b>9</b> | <b>9</b> |
| 1        |          | 2        | 3        | 4        | 5        |          |          |          |          |          |          |          |

- 1 **DRIVE COMPONENTS**
- 2 **PRODUCTION LOCATION**  
F = Ft. Smith, AR
- 3 **WEEK OF PRODUCTION**
- 4 **YEAR OF PRODUCTION**
- 5 **PRODUCTION NUMBER**

| No.                                | Notes | MODEL<br>COOLING CAPACITY<br>VARIATIONS | AHCG<br>090<br>ALL | AHCG<br>120<br>ALL |
|------------------------------------|-------|-----------------------------------------|--------------------|--------------------|
| <b>PANELS, MISCELLANEOUS PARTS</b> |       |                                         |                    |                    |
| 1                                  |       | Floor Pan w/Insulation                  | AS-90440-01C       | AS-90440-01C       |
| 2                                  |       | Center Post w/Insulation (2)            | AS-90440-03C       | AS-90440-03C       |
| 3                                  |       | Corner Post w/Insulation (2)            | AS-90440-04C       | AS-90440-04C       |
| 4                                  |       | Duct Flange Outlet                      | AE-76847-01        | AE-76847-01        |
| 5                                  |       | Drain Pan                               | See Coil Group     |                    |
| 6                                  |       | Access Panel w/Insulation (2)           | AS-90440-10C       | AS-90440-10C       |
| 7                                  |       | Access Panel w/Insulation (2)           | AS-90440-11C       | AS-90440-11C       |
| 8                                  |       | Inlet Cap w/ Insulation (2)             | AS-90440-12C       | AS-90440-12C       |
| 9a                                 |       | Top Pan Insulation Assembly             | AS-78097-01C       | AS-78097-01C       |
| 9b                                 |       | Top Pan Insulation Assembly             | AS-78096-01C       | AS-78096-01C       |
| 20                                 |       | Top Filter Channel                      | AE-90373-01        | AE-90373-01        |
| 22                                 |       | Filter Rack                             | AS-90459-01        | AS-90459-01        |
| 23                                 |       | Hitch Pin Clip (2)                      | 63-20878-01        | 63-20878-01        |
|                                    |       | Filter Block-Off                        | AE-90379-01        | AE-90379-01        |
| 24                                 |       | Filter Retainer Plate                   | AE-90377-01        | AE-90377-01        |
| 25                                 |       | Filter - Disposable (4)                 | 54-17531-10        | 54-17531-10        |
| 35                                 |       | Junction Box                            | AS-90472-01        | AS-90472-01        |

| No.                                | Notes | MODEL<br>COOLING CAPACITY<br>VARIATIONS | AHCG<br>180<br>ALL | AHCG<br>240<br>ALL |
|------------------------------------|-------|-----------------------------------------|--------------------|--------------------|
| <b>PANELS, MISCELLANEOUS PARTS</b> |       |                                         |                    |                    |
| 1a                                 |       | Floor Pan w/ Insulation - Left          | AS-90389-02C       | AS-90389-02C       |
| 1b                                 |       | Floor Pan w/ Insulation - Right         | AS-90389-01C       | AS-90389-01C       |
| 2                                  |       | Center Post w/ Insulation (2)           | AS-90389-04C       | AS-90389-04C       |
| 3                                  |       | Corner Post w/ Insulation (2)           | AS-90389-05C       | AS-90389-05C       |
| 4                                  |       | Duct Flange Outlet                      | AE-90196-01        | AE-90196-01        |
| 5                                  |       | Drain Pan                               | See Coil Group     |                    |
| 6                                  |       | Access Panel w/ Insulation (4)          | AS-90389-12C       | AS-90389-12C       |
| 8                                  |       | Inlet Cap w/ Insulation (2)             | AS-90389-13C       | AS-90389-13C       |
| 10                                 |       | Top Rail - Right                        | AS-90389-07C       | AS-90389-07C       |
| 11                                 |       | Top Rail - Left                         | AS-90389-08C       | AS-90389-08C       |
| 12                                 |       | Top Pan - Front                         | AS-90389-09C       | AS-90389-09C       |
| 13                                 |       | Top Pan - Rear                          | AS-90389-10C       | AS-90389-10C       |
| 14                                 |       | Top Pan - Center                        | AS-90389-11C       | AS-90389-11C       |
| 15                                 |       | Motor Mounting Plate                    | AE-90199-01        | AE-90199-01        |
| 16                                 |       | Motor Plate - Bottom                    | AS-71955-01        | AS-71955-02        |
| 17                                 |       | Motor Plate - Top                       | AE-90211-01        | AE-90211-01        |
| 20                                 |       | Top Filter Channel                      | AS-90416-01        | AS-90416-01        |
| 21                                 |       | Bottom Filter Channel                   | AE-90206-01        | AE-90206-01        |
| 22                                 |       | Center Filter Support (2)               | AE-90208-01        | AE-90208-01        |
| 23                                 |       | Hitch Pin Clip (2)                      | 63-20878-01        | 63-20878-01        |
| 24                                 |       | Filter Retainer Plate                   | AE-90209-01        | AE-90209-01        |
| 25                                 |       | Filter Disposable (6)                   | 54-17531-06        | 54-17531-06        |

| No.                 | Notes | MODEL<br>COOLING CAPACITY<br>VARIATIONS                               | AHCG<br>090<br>A-HK | AHCG<br>090<br>A-YK | AHCG<br>090<br>A-YL |
|---------------------|-------|-----------------------------------------------------------------------|---------------------|---------------------|---------------------|
| <b>BLOWER GROUP</b> |       |                                                                       |                     |                     |                     |
| 26                  | Stk   | Blower Assembly (Includes all items listed below except Blower Plate) | AS-90451-01         | AS-90444-05         | AS-90444-06         |
| 27                  |       | Blower Housing                                                        | AS-77539-02         | AS-77539-02         | AS-77539-02         |
| 28                  |       | Blower Plate w/Insulation                                             | AS-90440-02C        | AS-90440-02C        | AS-90440-02C        |
| 29                  | Stk   | Bearing w/cushion (2)                                                 | 70-41911-01         | 70-41911-01         | 70-41911-01         |
|                     | Stk   | Blower Wheel                                                          | 70-41512-01         | 70-41512-01         | 70-41512-01         |
|                     |       | Cut Off                                                               | AE-72264-03         | AE-72264-03         | AE-72264-03         |
| 30                  | Stk   | Shaft-Blower                                                          | 70-41900-02         | 70-41900-02         | 70-41900-02         |
|                     |       | Motor Support                                                         | AS-70423-05         | AS-70423-05         | AS-70423-05         |
| 31                  | Stk   | Sheave - Fixed                                                        | 71-41901-30         | 71-41901-30         | 71-41901-30         |
|                     |       | Key Shaft                                                             | 94-42551-08         | 94-42551-08         | 94-42551-08         |
| 32                  | Stk   | Belt                                                                  | 71-17033-49         | 71-17033-53         | 71-17033-53         |
| 33                  |       | Blower Support (2)                                                    | AE-90369-01         | AE-90369-01         | AE-90369-01         |
| 36                  | Stk   | Blower Motor                                                          | 51-40638-01         | 51-42177-09         | 51-42177-10         |
|                     | Stk   | Sheave - Variable                                                     | 71-40427-41         | 71-40427-25         | 71-42538-05         |
|                     |       | Motor Mounting Bracket                                                | AE-72344-01         | AE-72344-01         | AE-72344-01         |
| 38                  |       | Motor Adjustment Piece                                                | AE-70411-01         | AE-70411-01         | AE-70411-01         |
| 39                  |       | Bearing Frame Assembly - Tri-Arm                                      | 70-41723-02         | 70-41723-02         | 70-41723-02         |

| No.                 | Notes | MODEL<br>COOLING CAPACITY<br>VARIATIONS                               | AHCG<br>090<br>A-YM | AHCG<br>090<br>A-ZK | AHCG<br>090<br>A-ZL | AHCG<br>090<br>A-ZM |
|---------------------|-------|-----------------------------------------------------------------------|---------------------|---------------------|---------------------|---------------------|
| <b>BLOWER GROUP</b> |       |                                                                       |                     |                     |                     |                     |
| 26                  | Stk   | Blower Assembly (Includes all items listed below except Blower Plate) | AS-90444-07         | AS-90444-02         | AS-90444-03         | AS-90444-04         |
| 27                  |       | Blower Housing                                                        | AS-77539-02         | AS-77539-02         | AS-77539-02         | AS-77539-02         |
| 28                  |       | Blower Plate                                                          | AS-90440-02C        | AS-90440-02C        | AS-90440-02C        | AS-90440-02C        |
| 29                  | Stk   | Bearing (2)                                                           | 70-41911-01         | 70-41911-01         | 70-41911-01         | 70-41911-01         |
|                     | Stk   | Blower Wheel                                                          | 70-41512-01         | 70-41512-01         | 70-41512-01         | 70-41512-01         |
|                     |       | Cut Off                                                               | AE-72264-03         | AE-72264-03         | AE-72264-03         | AE-72264-03         |
| 30                  | Stk   | Shaft-Blower                                                          | 70-41900-02         | 70-41900-02         | 70-41900-02         | 70-41900-02         |
|                     |       | Motor Support                                                         | AS-70423-05         | AS-70423-05         | AS-70423-05         | AS-70423-05         |
| 31                  | Stk   | Sheave - Fixed                                                        | 71-41901-30         | 71-41901-30         | 71-41901-30         | 71-41901-30         |
|                     |       | Key Shaft                                                             | 94-42551-08         | 94-42551-08         | 94-42551-08         | 94-42551-08         |
| 32                  | Stk   | Belt                                                                  | 71-17033-55         | 71-17033-53         | 71-17033-53         | 71-17033-55         |
| 33                  |       | Blower Support (2)                                                    | AE-90369-01         | AE-90369-01         | AE-90369-01         | AE-90369-01         |
| 36                  | Stk   | Blower Motor                                                          | 51-42177-10         | 51-42368-02         | 51-42369-02         | 51-42369-02         |
|                     | Stk   | Sheave - Variable                                                     | 71-40427-54         | 71-40427-25         | 71-42538-05         | 71-40427-54         |
|                     |       | Motor Mounting Bracket                                                | AE-72344-01         | AE-72344-01         | AE-72344-01         | AE-72344-01         |
| 38                  |       | Motor Adjustment Piece                                                | AE-70411-01         | AE-70411-01         | AE-70411-01         | AE-70411-01         |
| 39                  |       | Bearing Frame Assembly - Tri-Arm                                      | 70-41723-02         | 70-41723-02         | 70-41723-02         | 70-41723-02         |

| No.                 | Notes | MODEL<br>NOMINAL CAPACITY<br>DRIVE PACKAGE                            | AHCG<br>120<br>A-HK | AHCG<br>120<br>A-YK | AHCG<br>120<br>A-YL |
|---------------------|-------|-----------------------------------------------------------------------|---------------------|---------------------|---------------------|
| <b>BLOWER GROUP</b> |       |                                                                       |                     |                     |                     |
| 26                  | Stk   | Blower Assembly (Includes all items listed below except Blower Plate) | AS-90451-02         | AS-90444-12         | AS-90444-13         |
| 27                  |       | Blower Housing                                                        | AS-77539-02         | AS-77539-02         | AS-77539-02         |
| 28                  |       | Blower Plate w/Insulation                                             | AS-90440-02C        | AS-90440-02C        | AS-90440-02C        |
| 29                  | Stk   | Bearing                                                               | 70-41911-01         | 70-41911-01         | 70-41911-01         |
|                     | Stk   | Blower Wheel                                                          | 70-41512-01         | 70-41512-01         | 70-41512-01         |
|                     |       | Cut Off                                                               | AE-72264-03         | AE-72264-03         | AE-72264-03         |
| 30                  | Stk   | Shaft-Blower                                                          | 70-41900-02         | 70-41900-02         | 70-41900-02         |
|                     |       | Motor Support                                                         | AS-70423-05         | AS-70423-05         | AS-70423-05         |
| 31                  | Stk   | Sheave - Fixed                                                        | 71-41901-29         | 71-41901-30         | 71-41901-30         |
|                     |       | Key Shaft                                                             | 94-42551-08         | 94-42551-08         | 94-42551-08         |
| 32                  | Stk   | Belt                                                                  | 71-17033-48         | 71-17033-54         | 71-17033-54         |
| 33                  |       | Blower Support (2)                                                    | AE-90369-01         | AE-90369-01         | AE-90369-01         |
| 36                  | Stk   | Blower Motor                                                          | 51-41949-01         | 51-42177-10         | 51-42178-09         |
|                     | Stk   | Sheave - Variable                                                     | 71-40427-41         | 71-40427-43         | 71-40427-19         |
|                     |       | Motor Mounting Bracket                                                | AE-72344-01         | AE-72344-01         | AE-72344-01         |
| 38                  |       | Motor Adjustment Piece                                                | AE-70411-01         | AE-70411-01         | AE-70411-01         |
| 39                  |       | Bearing Frame Assembly - Tri-Arm                                      | 70-41723-02         | 70-41723-02         | 70-41723-02         |

| No.                 | Notes | MODEL<br>COOLING CAPACITY<br>VARIATIONS                               | AHCG<br>120<br>A-YM | AHCG<br>120<br>A-ZK | AHCG<br>120<br>A-ZL | AHCG<br>120<br>A-ZM |
|---------------------|-------|-----------------------------------------------------------------------|---------------------|---------------------|---------------------|---------------------|
| <b>BLOWER GROUP</b> |       |                                                                       |                     |                     |                     |                     |
| 26                  | Stk   | Blower Assembly (Includes all items listed below except Blower Plate) | AS-90444-14         | AS-90444-09         | AS-90444-10         | AS-90444-11         |
| 27                  |       | Blower Housing                                                        | AS-77539-02         | AS-77539-02         | AS-77539-02         | AS-77539-02         |
| 28                  |       | Blower Plate w/Insulation                                             | AS-90440-02C        | AS-90440-02C        | AS-90440-02C        | AS-90440-02C        |
| 29                  | Stk   | Bearing (2)                                                           | 70-41911-01         | 70-41911-01         | 70-41911-01         | 70-41911-01         |
|                     | Stk   | Blower Wheel                                                          | 70-41512-01         | 70-41512-01         | 70-41512-01         | 70-41512-01         |
|                     |       | Cut Off                                                               | AE-72264-03         | AE-72264-03         | AE-72264-03         | AE-72264-03         |
| 30                  | Stk   | Shaft-Blower                                                          | 70-41900-02         | 70-41900-02         | 70-41900-02         | 70-41900-02         |
|                     |       | Motor Support                                                         | AS-70423-05         | AS-70423-05         | AS-70423-05         | AS-70423-05         |
| 31                  | Stk   | Sheave - Fixed                                                        | 71-41901-30         | 71-41901-30         | 71-41901-30         | 71-41901-30         |
|                     |       | Key Shaft                                                             | 94-42551-08         | 94-42551-08         | 94-42551-08         | 94-42551-08         |
| 32                  | Stk   | Belt                                                                  | 71-17033-55         | 71-17033-54         | 71-17033-54         | 71-17033-55         |
| 33                  |       | Blower Support (2)                                                    | AE-90369-01         | AE-90369-01         | AE-90369-01         | AE-90369-01         |
| 36                  | Stk   | Blower Motor                                                          | 51-42177-08         | 51-42369-02         | 51-42370-02         | 51-42371-01         |
|                     | Stk   | Sheave - Variable                                                     | 71-40427-23         | 71-40427-43         | 71-40427-19         | 71-40427-23         |
|                     |       | Motor Mounting Bracket                                                | AE-72344-01         | AE-72344-01         | AE-72344-01         | AE-72344-01         |
| 38                  |       | Motor Adjustment Piece                                                | AE-70411-01         | AE-70411-01         | AE-70411-01         | AE-70411-01         |
| 39                  |       | Bearing Frame Assembly - Tri-Arm                                      | 70-41723-02         | 70-41723-02         | 70-41723-02         | 70-41723-02         |

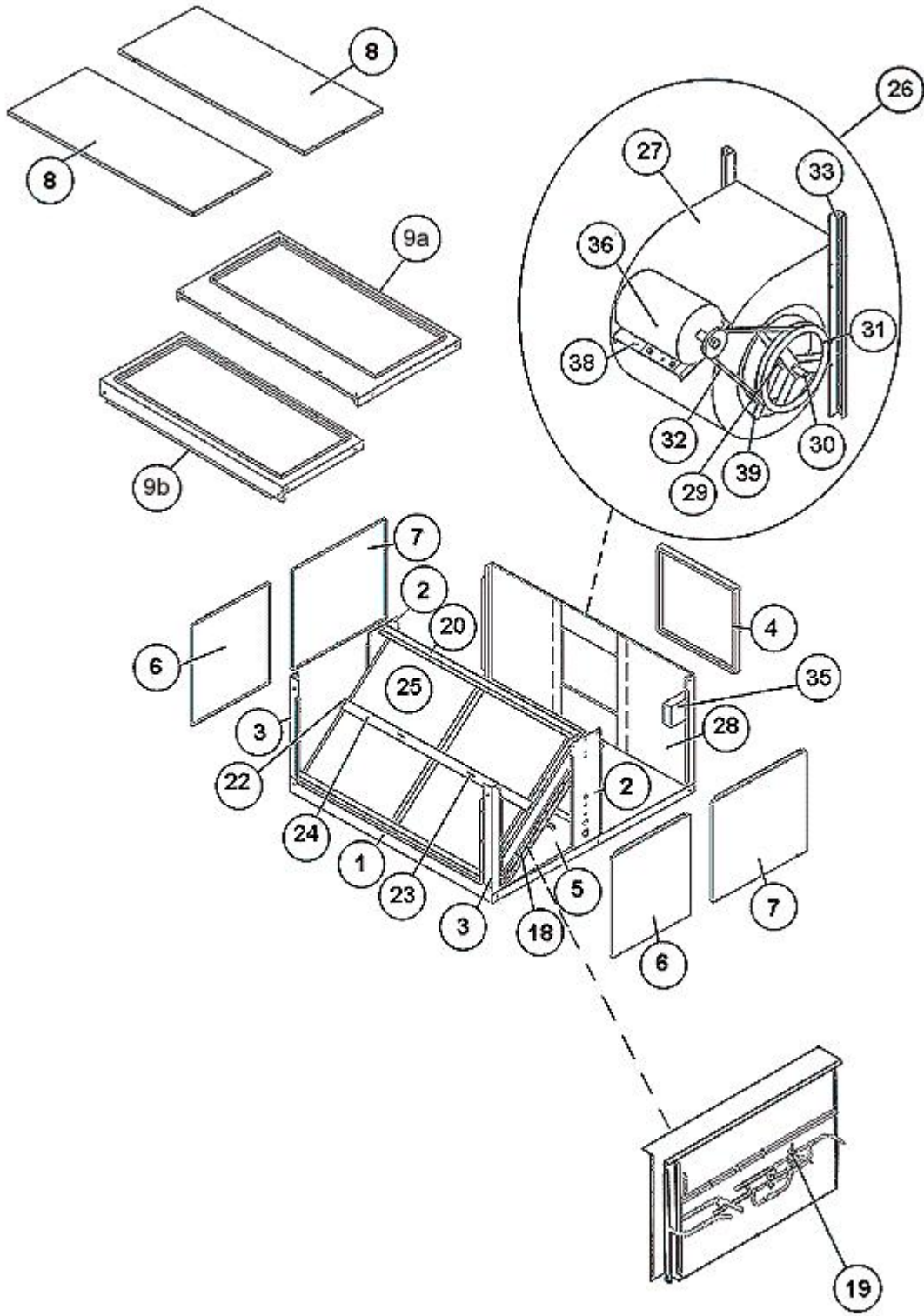
| No.                 | Notes | MODEL<br>NOMINAL CAPACITY<br>DRIVE PACKAGE                                                     | AHCG<br>180<br>A-YK | AHCG<br>180<br>A-YL | AHCG<br>180<br>A-ZK | AHCG<br>180<br>A-ZL | AHCG<br>180<br>A-ZM |
|---------------------|-------|------------------------------------------------------------------------------------------------|---------------------|---------------------|---------------------|---------------------|---------------------|
| <b>BLOWER GROUP</b> |       |                                                                                                |                     |                     |                     |                     |                     |
| 26                  | Stk   | Blower Assembly (Does not include Blower Plate, Belt, Junction Box, Motor and Variable Sheave) | AS-90973-01         | AS-90973-01         | AS-90973-01         | AS-90973-01         | AS-90973-02         |
| 27                  |       | Blower Housing                                                                                 | AS-90971-01         | AS-90971-01         | AS-90971-01         | AS-90971-01         | AS-90971-01         |
| 28                  |       | Blower Plate                                                                                   | AE-90857-01         | AE-90857-01         | AE-90857-01         | AE-90857-01         | AE-90857-01         |
| 29                  | Stk   | Bearing (2)                                                                                    | 70-41854-02         | 70-41854-02         | 70-41854-02         | 70-41854-02         | 70-41854-02         |
|                     |       | Bearing Bracket (2)                                                                            | 70-42284-04         | 70-42284-04         | 70-42284-04         | 70-42284-04         | 70-42284-04         |
|                     | Stk   | Blower Wheel                                                                                   | 70-42682-02         | 70-42682-02         | 70-42682-02         | 70-42682-02         | 70-42682-02         |
| 30                  |       | Shaft - Blower                                                                                 | 70-41900-06         | 70-41900-06         | 70-41900-06         | 70-41900-06         | 70-41900-06         |
| 31                  | Stk   | Sheave - Fixed                                                                                 | 71-41901-11         | 71-41901-11         | 71-41901-11         | 71-41901-11         | 71-41901-13         |
|                     |       | Key - Shaft (2)                                                                                | AE-72654-01         | AE-72654-01         | AE-72654-01         | AE-72654-01         | AE-72654-01         |
| 32                  | Stk   | Belt                                                                                           | 71-40438-24         | 71-40438-24         | 71-40438-24         | 71-40438-24         | 71-40438-17         |
| 33                  |       | Blower Support (2)                                                                             | AE-90858-01         | AE-90858-01         | AE-90858-01         | AE-90858-01         | AE-90858-01         |
| 35                  |       | Junction Box Assembly                                                                          | AS-90472-01         | AS-90472-01         | AS-90472-01         | AS-90472-01         | AS-90472-01         |
| 36                  | Stk   | Motor                                                                                          | 51-42178-09         | 51-42177-08         | 51-42370-02         | 51-42371-02         | 51-42177-13         |
| 37                  | Stk   | Sheave - Variable                                                                              | 71-42538-02         | 71-40427-17         | 71-42538-02         | 71-40427-17         | 71-42538-03         |

| No.                 | Notes | MODEL<br>NOMINAL CAPACITY<br>DRIVE PACKAGE                                                     | AHCG<br>240<br>A-YK | AHCG<br>240<br>A-YL | AHCG<br>240<br>A-ZK | AHCG<br>240<br>A-ZL | AHCG<br>240<br>A-ZM |
|---------------------|-------|------------------------------------------------------------------------------------------------|---------------------|---------------------|---------------------|---------------------|---------------------|
| <b>BLOWER GROUP</b> |       |                                                                                                |                     |                     |                     |                     |                     |
| 26                  | Stk   | Blower Assembly (Does not include Blower Plate, Belt, Junction Box, Motor and Variable Sheave) | AS-90974-01         | AS-90974-02         | AS-90974-01         | AS-90974-02         | AS-90974-03         |
| 27                  |       | Blower Housing                                                                                 | AS-90972-01         | AS-90972-01         | AS-90972-01         | AS-90972-01         | AS-90972-01         |
| 28                  |       | Blower Plate                                                                                   | AE-90857-01         | AE-90857-01         | AE-90857-01         | AE-90857-01         | AE-90857-01         |
| 29                  | Stk   | Bearing (2)                                                                                    | 70-41854-02         | 70-41854-02         | 70-41854-02         | 70-41854-02         | 70-41854-02         |
|                     |       | Bearing Bracket (2)                                                                            | 70-42284-04         | 70-42284-04         | 70-42284-04         | 70-42284-04         | 70-42284-04         |
|                     | Stk   | Blower Wheel                                                                                   | 70-42682-01         | 70-42682-01         | 70-42682-01         | 70-42682-01         | 70-42682-01         |
| 30                  | Stk   | Shaft - Blower                                                                                 | 70-41900-05         | 70-41900-05         | 70-41900-05         | 70-41900-05         | 70-41900-05         |
| 31                  | Stk   | Sheave - Fixed                                                                                 | 71-41901-11         | 71-41901-22         | 71-41901-11         | 71-41901-22         | 71-41901-19         |
|                     |       | Key - Shaft (2)                                                                                | AE-72654-01         | AE-72654-01         | AE-72654-01         | AE-72654-01         | AE-72654-01         |
| 32                  | Stk   | Belt                                                                                           | 71-40438-22         | 71-41764-05         | 71-40438-22         | 71-41764-05         | 71-41764-06         |
| 33                  |       | Blower Support (2)                                                                             | AE-90858-01         | AE-90858-01         | AE-90858-01         | AE-90858-01         | AE-90858-01         |
| 35                  |       | Junction Box Assembly                                                                          | AS-90472-01         | AS-90472-01         | AS-90472-01         | AS-90472-01         | AS-90472-01         |
| 36                  | Stk   | Motor                                                                                          | 51-42574-01         | 51-42178-12         | 51-42177-13         | 51-42177-06         | 51-42177-06         |
| 37                  | Stk   | Sheave - Variable                                                                              | 71-40427-06         | 71-40428-34         | 71-40427-06         | 71-40428-34         | 71-40428-34         |

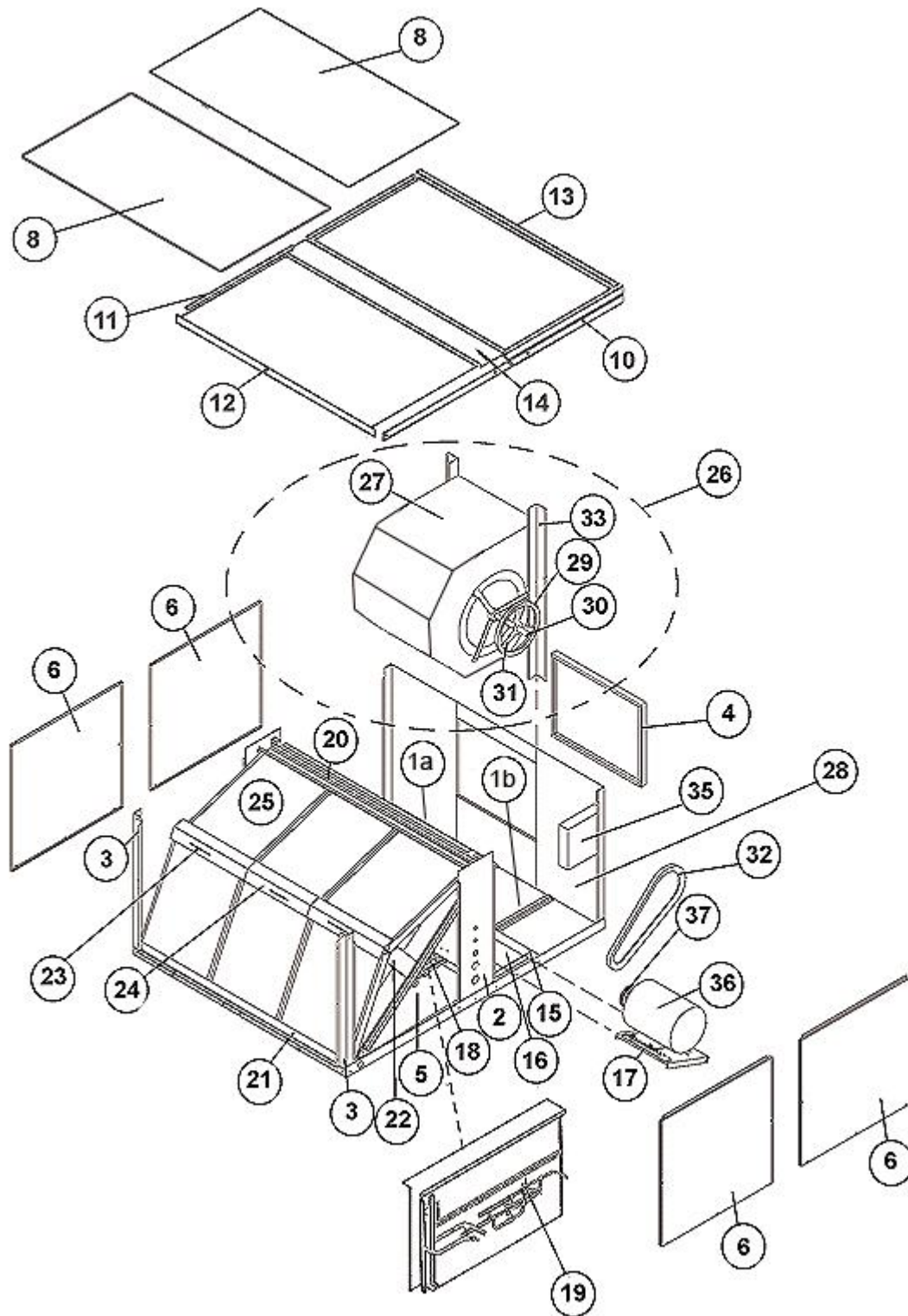


| No.               | Notes | MODEL<br>COOLING CAPACITY<br>VARIATIONS | AHCG<br>090<br>ALL | AHCG<br>120<br>ALL |
|-------------------|-------|-----------------------------------------|--------------------|--------------------|
| <b>COIL GROUP</b> |       |                                         |                    |                    |
| 5                 | Stk   | Drain Pan                               | AS-90442-01C       | AS-90442-01C       |
| 18                | Stk   | Evaporator Coil w/TXV                   | AS-90902-05        | AS-90902-06        |
| 19                | Stk   | TXV w/Distributor (2)                   | 61-42662-07        | 61-42662-08        |
|                   |       | Drip Rail                               | AE-90471-01        | AE-90471-01        |

| No.               | Notes | MODEL<br>COOLING CAPACITY<br>VARIATIONS | AHCG<br>180<br>ALL | AHCG<br>240<br>ALL |
|-------------------|-------|-----------------------------------------|--------------------|--------------------|
| <b>COIL GROUP</b> |       |                                         |                    |                    |
| 5                 | Stk   | Drain Pan                               | AS-90402-01C       | AS-90402-01C       |
| 18                | Stk   | Evaporator Coil w/ TX Valve             | AS-90902-07        | AS-90902-08        |
| 19                | Stk   | TX Valve Assembly w/ Dist (2)           | 61-42662-09        | 61-42662-10        |



Exploded View 090-120



Exploded View 180-240

# NOTES

Stk It is recommended that stock be maintained for this part.  
N/A Not Applicable