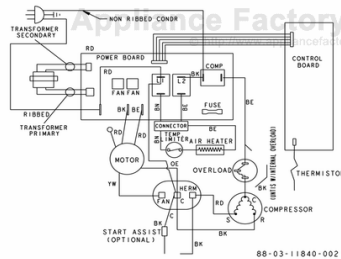
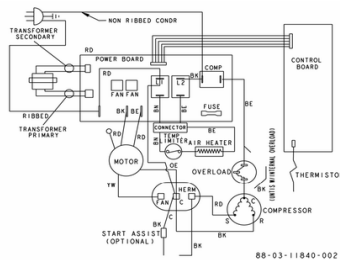


This Owner's Manual is provided and hosted by Appliance Factory Parts.



COMFORT-AIRE RAD-183-5A Owner's Manual

[Shop genuine replacement parts for COMFORT-AIRE
RAD-183-5A](#)



10/05

HEAT CONTROLLER, INC. JACKSON, MI 49203

[Find Your COMFORT-AIRE Air Conditioner Parts - Select From 599 Models](#)

----- Manual continues below -----

PARTS LISTS

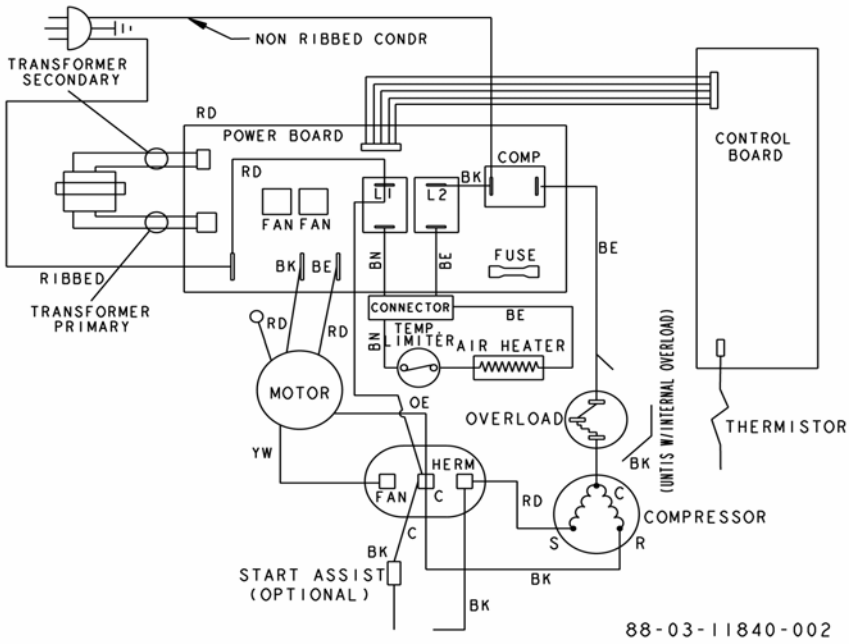
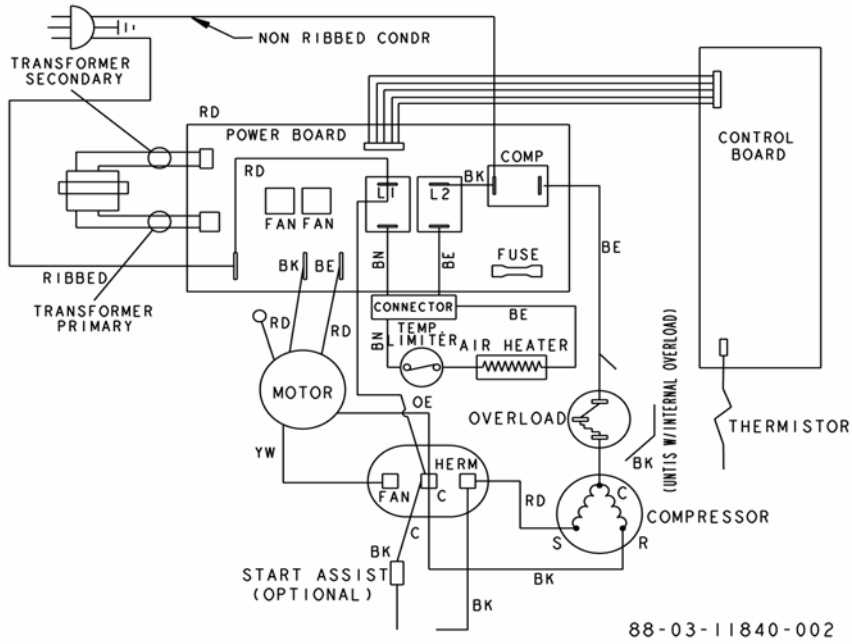
ROOM AIR CONDITIONERS

RAD-121-5
RAD-123-5
RAD-183-5
RADS-151-5
REG-81-5
REG-183-5
REG-123-5

HEAT CONTROLLER, INC.

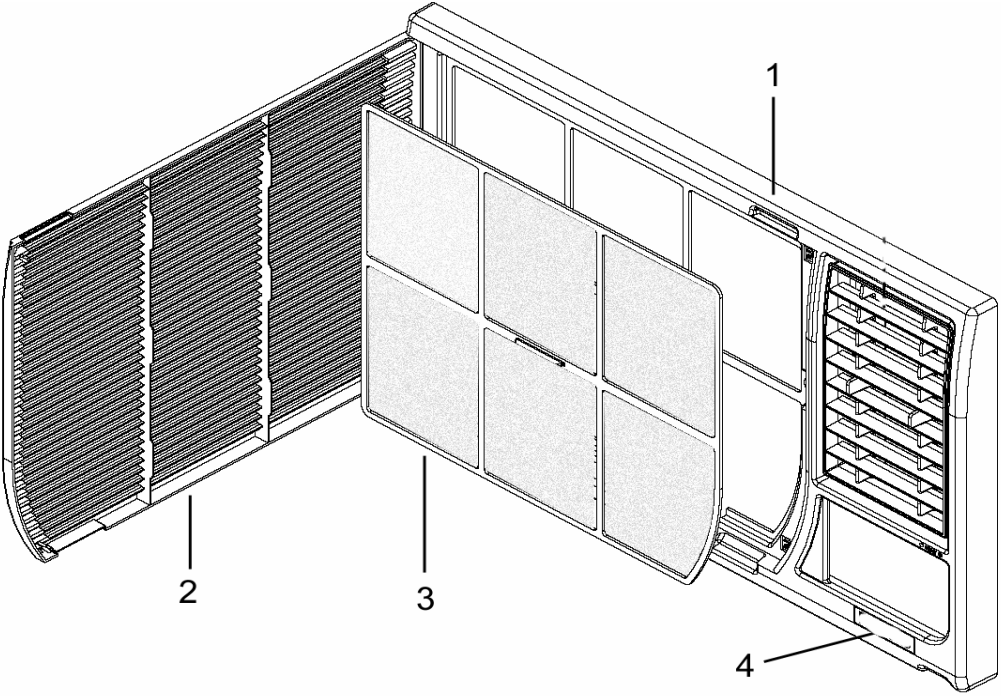
1900 Wellworth Ave. Jackson, MI 49203
www.heatcontroller.com
517-787-2100

SPECIFICATIONS										
MODEL	REV	BTUH	VOLTS	AMPS COOL	AMPS HEAT	WATTS COOL	WATTS HEAT	E.E.R.	WIRING DIAGRAM	OZ. OF R22
COMFORT-AIRE										
RAD-121-5	A	12000	115	11.0	N/A	1275	N/A	9.8	880311840001	20.50
RAD-121-5	B	12000	115	11.0	N/A	1275	N/A	9.8	880311840001	20.50
RAD-123-5	A	12000/11500	230/208	5.6/6.2	N/A	1224/1173	N/A	9.8	880311840001	21.75
RAD-123-5	B	12000/11500	230/208	5.6/6.2	N/A	1224/1173	N/A	9.8	880311840001	21.75
RAD-183-5	A	18000	230/208	7.9/8.5	N/A	1835/1805	N/A	9.7	880311840001	24.25
RAD-183-5	B	18000	230/208	7.9/8.5	N/A	1835/1805	N/A	9.7	880311840001	24.25
RAD-183-5	C	18000	230/208	7.9/8.5	N/A	1835/1805	N/A	9.7	880311840001	25.75
RAD-183-5	D	18000	230/208	7.9/8.5	N/A	1835/1805	N/A	9.7	880311840001	25.75
RADS-151-5	A	14500	115	12.0	N/A	1355	N/A	10.7	880311840001	22.25
RADS-151-5	B	14500	115	12.0	N/A	1355	N/A	10.7	880311840001	22.25
REG-123-5	A	12000/11500	230/208	5.6/6.2	15.4/14.0	1224/1173	3560/2940	9.8	880311840002	21.75
REG-123-5	B	12000/11500	230/208	5.6/6.2	15.4/14.0	1224/1173	3560/2940	9.8	880311840002	21.75
REG-183-5	A	17500/17000	230/208	7.9/8.5	15.4/14.0	1835/1805	3560/2940	9.7	880311840002	24.25
REG-183-5	B	17500/17000	230/208	7.9/8.5	15.4/14.0	1835/1805	3560/2940	9.7	880311840002	24.25
REG-183-5	C	17500/17000	230/208	7.9/8.5	15.4/14.0	1835/1805	3560/2940	9.7	880311840002	25.75
REG-183-5	D	17500/17000	230/208	7.9/8.5	15.4/14.0	1835/1805	3560/2940	9.7	880311840002	25.75
REG-81-5	A	8000	115	7.5	12.0	816	1370	9.8	880311840002	14.75
REG-81-5	B	8000	115	7.5	12.0	816	1370	9.8	880311840002	14.75



R	R	R	R	R	R	R	R	R	R	R	R	R	R	R	R	R	R	R	R	R
A	A	A	A	A	A	A	A	A	A	A	A	A	A	A	A	A	A	A	A	A
D	D	D	D	D	D	D	D	D	D	S	S	G	G	G	G	G	G	G	G	
-	-	-	-	-	-	-	-	-	-	-	-	-	-	-	-	-	-	-	-	
1	1	1	1	1	1	1	1	1	1	-	-	1	1	1	1	1	1	1	8	
2	2	2	2	2	8	8	8	8	8	1	1	2	2	8	8	8	8	8	1	
1	1	3	3	3	3	3	3	3	3	5	5	3	3	3	3	3	3	-	-	
-	-	-	-	-	-	-	-	-	-	1	1	-	-	-	-	-	-	-	5	
5	5	5	5	5	5	5	5	5	5	-	-	5	5	5	5	5	5	-	-	

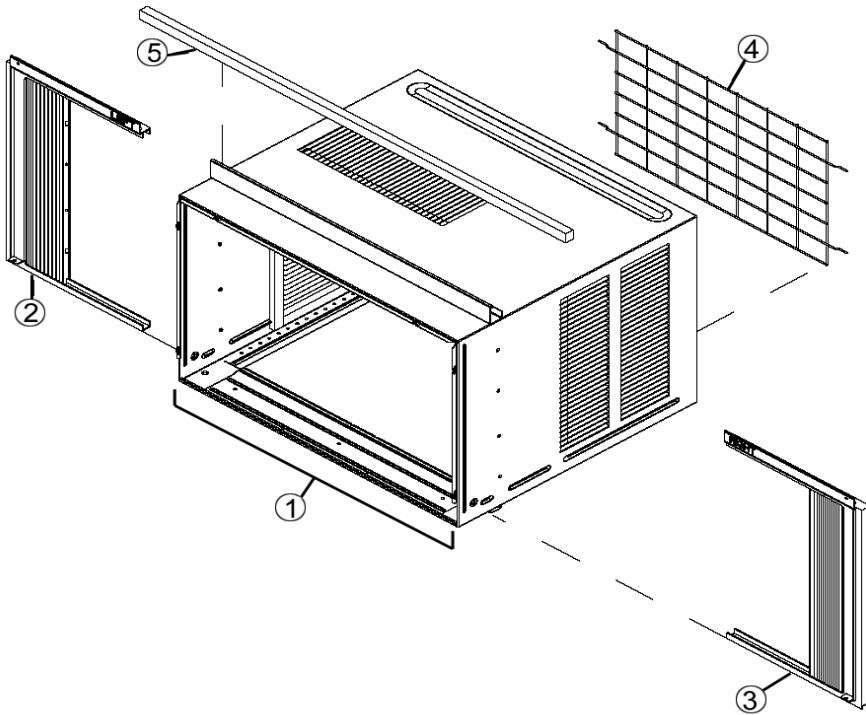
ITEM	DESCRIPTION	PART NUMBER	A	B	A	B	A	B	C	D	A	B	A	B	A	B	C	D	A	B
1	DEC. FRONT ASM, COMFORT AIRE	113900730001	1	1	1	1	1	1	1	1	1	1	1	1	1	1	1	1	1	1
2	DEC FRONT DOOR	113900350001	1	1	1	1	1	1	1	1	1	1	1	1	1	1	1	1	1	1
3	FILTER	113900440001	1	1	1	1	1	1	1	1	1	1	1	1	1	1	1	1	1	1
4	FRONT NAMEPLATE, COMFORT AIRE	881606680006	1	1	1	1	1	1	1	1	1	1	1	1	1	1	1	1	1	1

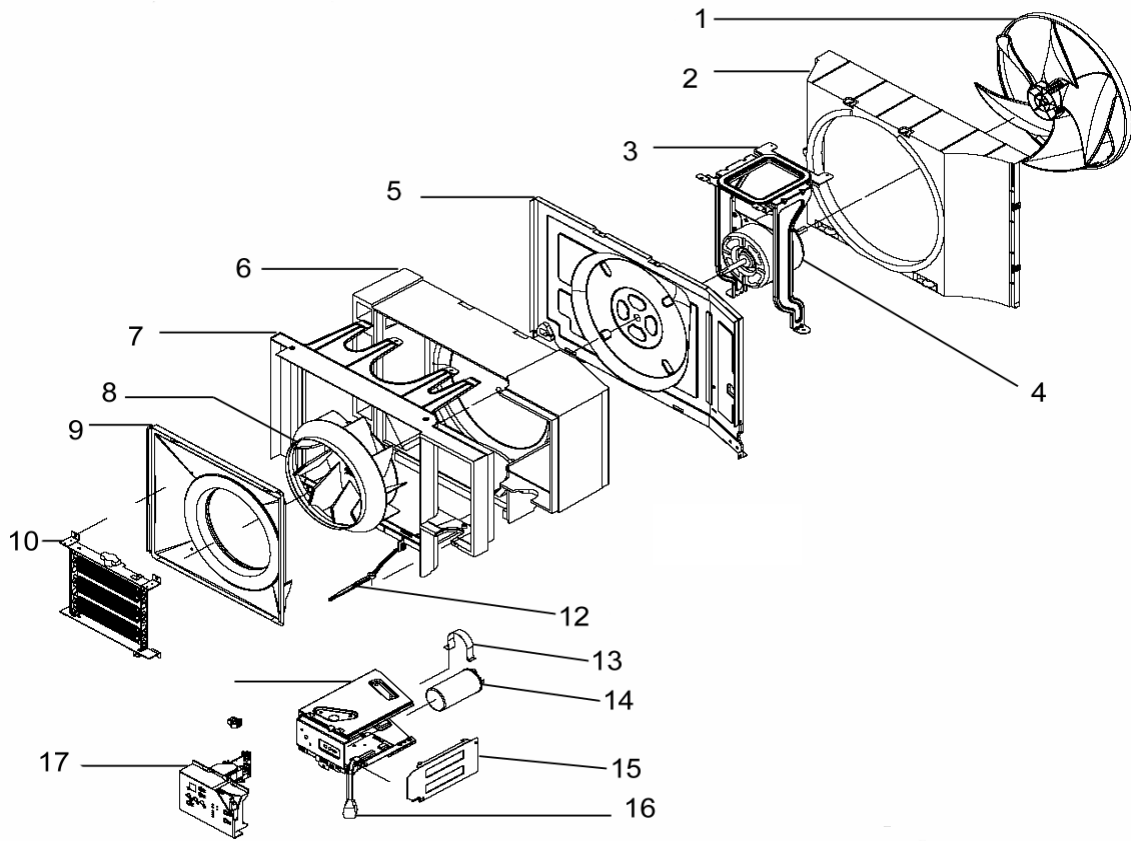


R	R	R	R	R	R	R	R	R	R	R	R	R	R	R	R	R	R	R	R	R
A	A	A	A	A	A	A	A	A	A	A	A	A	A	A	A	A	A	A	A	A
D	D	D	D	D	D	D	D	D	D	D	D	D	D	D	D	D	D	D	D	D
-	-	-	-	-	-	-	-	-	-	S	S	-	-	-	-	-	-	-	-	-
1	1	1	1	1	1	1	1	1	1	1	1	2	2	8	8	8	8	8	8	8
2	2	2	2	3	3	3	3	3	3	5	5	3	3	3	3	3	3	3	3	3
1	1	3	3	3	3	3	3	3	5	5	3	3	3	3	3	3	3	3	3	5
-	-	-	-	-	-	-	-	-	-	1	1	-	-	-	-	-	-	-	-	5
5	5	5	5	5	5	5	5	5	5	5	5	5	5	5	5	5	5	5	5	5

ITEM	DESCRIPTION	PART NO.	A	B	A	B	A	B	C	D	A	B	A	B	A	B	C	D	A	B	
1	CABINET ASM (STOCK ON 113900200003- USE UP)	113900200004	1	1	1	1	1	1	1	1	1	1	1	1	1	1	1	1	1	1	
2	CABINET ASM	113900200103	1	1
2	C FRAME ASM-L.H.,	112124040026	1	1	1	1	1	1	1	1	1	1	1	1	1	1	1	1	1	1	
3	C FRAME ASM-R.H.,	112124040025	1	1	1	1	1	1	1	1	1	1	1	1	1	1	1	1	1	1	
NI	PLEATED FILLER PANEL- CURTAIN	112124480014	2	2	2	2	2	2	2	2	2	2	2	2	2	2	2	2	2	2	
4	PANEL, REAR	113900570001	1	1	1	1	1	1	1	1	1	1	1	1	1	1	1	1	1	1	
5	FOAM SASH , 40.0X1.50X.50	112111560018	1	1	1	1	1	1	1	1	1	1	1	1	1	1	1	1	1	1	
NI	NAMEPLATE, REAR, COMFORT AIRE	881606080028	1	1	1	1	1	1	1	1	1	1	1	1	1	1	1	1	1	1	
NI	INSTALLATION PARTS KIT	112123200029	1	1	1	1	1	1	1	1	1	1	1	1	1	1	1	1	1	1	

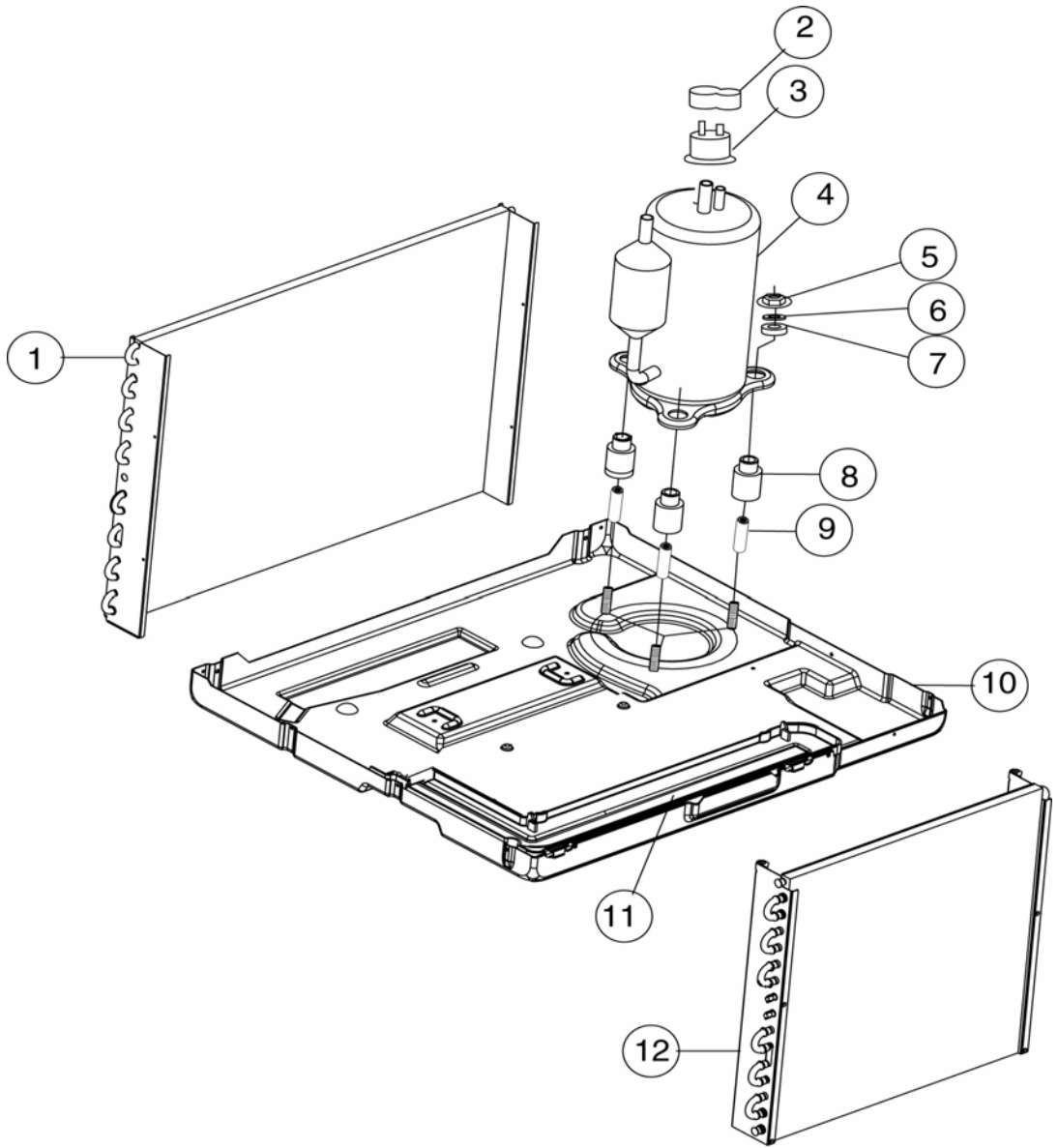
NOTES: 1. LEVELING BOLTS AND BRACKETS ARE SUPPLIED AS PARTS OF THE INSTALLATION PARTS KIT.
2. REAR PANEL AND TOP BAR ASSEMBLIES ARE SUPPLIED WITH A NEW CABINET ASSEMBLY.





R	R	R	R	R	R	R	R	R	R	R	R	R	R	R	R	R	R	R	R
A	A	A	A	A	A	A	A	A	A	A	A	A	A	A	A	A	A	A	A
D	D	D	D	D	D	D	D	D	D	S	S	G	G	G	G	G	G	G	G
-	-	-	-	-	-	-	-	-	-	-	-	-	-	-	-	-	-	-	-
1	1	1	1	1	1	1	1	1	1	1	1	1	1	1	1	1	1	1	1
2	2	2	2	2	8	8	8	8	1	1	2	2	8	8	8	8	8	1	8
1	1	3	3	3	3	3	3	3	5	5	3	3	3	3	3	3	3	-	-
-	-	-	-	-	-	-	-	-	1	1	-	-	-	-	-	-	-	5	5
5	5	5	5	5	5	5	5	5	-	-	5	5	5	5	5	5			

ITEM	DESCRIPTION	PART NUMBER	A	B	A	B	A	B	C	D	A	B	A	B	A	B	C	D	A	B
1	FAN	113900420001	1	1	1	1	1	1	1	1	1	1	1	1	1	1	1	1	1	1
NI	CLAMP, FAN/BLOWERWHEEL	113900800001	2	2	2	2	2	2	2	2	2	2	2	2	2	2	2	2	2	2
2	SHROUD- SLAB	113900410001	1	1
2	SHROUD- REAR "L" SHAPED	113900560001	1	1	.	1
2	SHROUD- REAR SUBCOOLER INSERTS	113900560002	.	.	1	1	1
2	SHROUD	113900560003	1	1	1	1	1	1	.	.	1	1	1	1	.	.
3	MOTOR MOUNT	113900120001	1	1	1	1	1	1	1	1	1	1	1	1	1	1	1	1	1	1
4	MOTOR	113990000004	1	1	1	1
4	MOTOR	113990000005	.	.	1	1	1	1
4	MOTOR	113990000010	1	1	1	1	1	1	1	1	.	.
5	BULKHEAD	113900130001	1	1	1	1	1	1	1	1	1	1	1	1	1	1	1	1	1	1
6	HOUSING BLOWER	113900150001	1	1	1	1	1	1	1	1	1	1	1	1	1	1	1	1	1	1
7	VENTURI - HEAT	113900390002	1	1	1	1	1	1	1	1	1
7	VENTURI- COOL	113900390001	1	1	1	1	1	1	1	1	1	1
8	WHEEL-BLOWER, COOL	113900040001	1	1	1	1	1	1	1	1	1	1
8	WHEEL-BLOWER, HEAT	113900040002	1	1	1	1	1	1	1	1
9	VENTURI RING, HEAT	113900430001	1	.	1	1	1	1	1	1	1
10	VENTURI RING, COOL	113900030001	1	1	1	1	1	1	1	1	1	1
10	HEATER, ELECTRIC 3.5 230V	113900380004	1	1	1	1	1	1	.	.	.
10	HEATER, ELECTRIC 1.25 115	113900380005	1	1
12	DOOR VENT	113900850001	1	1	1	1	1	1	1	1	1	1	1	1	1	1	1	1	1	1
13	STRAP-CAPACITOR-RD	112401310001	1	1	.	.	1	1	1	1	1	1	.	.	1	1	1	1	1	1
13	STRAP-CAPACITOR-RD	112401310003	.	.	1	1	1	1
14	CAPACITOR 45/6/370	160500710114	1	1
14	CAPACITOR, 35/6/370	160500710133	1	1	1	1	1	1	1	1	.	.
14	CAPACITOR 55/6/370	160500710188	1	1
14	CAPACITOR, 60/6/370	160500710194	1	1
14	CAPACITOR, 35/3/440	160500710198	.	.	1	1	1	1
16	POWER CORD, 16/3015A AFCI	112126000003	.	1
16	POWER CORD, 16/3 25A LCD	112126000503	1	1	1
16	POWER CORD, 16/3 250V 15A	112126000004	.	.	.	1	.	1	.	1
16	POWER CORD, 16/3 250V 15A	112126000504	.	.	1	.	1	.	1
16	POWER CORD, 14/3 250V 20A	112126000008	1	.	1	.	.
16	POWER CORD, 16/3 125V 15A	112126000007	1
16	POWER CORD, 16/3 125V 15A	112126000507	1	.
16	POWER CORD, 14/3 250V 20A	112126000508	1	1	1	.	1
NI	CLAMP STRAIN RELIEF	111400660002	.	1	.	.	.	1	.	1	.	1	1
NI	CLAMP STRAIN RELIEF	111500920002	1	.	1	1	1	.	1	.	1	.	1	1	1	1	1	1	1	.
NI	REMOTE CONTROL	112150010006	1	1	1	1	1	1	1	1	1	1	1	1	1	1	1	1	1	1
17	CONTROL ASM- AUTO RESTART, COOL	113900630006	1	1	1	1	1	1	1	1	1	1
17	CONTROL ASM- H/C AUTO RESTART	113900630009	1	1	1	1	1	1	1	1
NI	CLIP- THERMISTOR 5/16	112125420002	.	.	.	1	1
NI	CLIP- THERMISTOR	112125800002	1	1	1	1	1	1
NI	THERMISTOR CLIP	112125460002	1	1	1	1	.	.	1	1	1	1	1	1	1
NI	TRANSFORMER	112150000001	1	1	1	1	1	1
NI	TRANSFORMER	112150000002	.	.	1	1	1	1	1	1	.	.	1	1	1	1	1	1	.	.
NI	CLIP- START ASSIST	160602360018	1	1	1	1	1	1	1	1	1	1	1	1	1	1	1	1	1	1
NI	START ASSIST	160602360017	1	1	1	1	1	1	1	1	1	1	1	1	1	1	1	1	1	1



ITEM	DESCRIPTION	PART NO.	R	R	R	R	R	R	R	R	R	R	R	R	R	R	R	R	R	R	R	R	R	R	R	R
			A	B	A	B	A	B	C	D	A	B	A	B	A	B	C	D	A	B	A	B	A	B	A	B
1	COND ASM 2ROW 7MM 22FPI	113900960005	1	1
2	COND ASM 2ROW 7MM 22FPI	113901430004	1	1	1	1	1	1
1	COND ASM 2R1R 7MM 18/14FPI	113901850001	1	1
1	COND ASM 3ROW 7MM 18/22FPI	113901850002	1	1	1	1	1	1	1	1
3	OVERLOAD	MRA98881	1	1
3	OVERLOAD	MRA-99239L	1	1
3	OVERLOAD 155/75-28	160300430076	1	1	1	1
3	OVERLOAD 165/69 14	160300430087	1	1
4	COMPRESSOR KIT	50160061N001
4	COMPRESSOR KIT	50160069N001	1	1
4	COMPRESSOR KIT	50160151N001	1	1
4	COMPRESSOR KIT	50160153N001	.	.	1	1	1	1
4	COMPRESSOR KIT	50160154N001	1	1	.	.	.	1
4	COMPRESSOR KIT	50160157N001	1	.	1	1	1	1	1	1
10	BOTTOM PAN ASM	113901190101	1	1
10	BOTTOM PAN ASM	113901190204	1	1	1	1	1	1	1
10	BOTTOM PAN ASM	113901190304	1	1	1	1
10	BOTTOM PAN ASM	113901190210	1	1	1	1	1	1	1
10	BOTTOM PAN ASM	113901190310	1	1
11	TRAY DRIP	113900140001	1	1	1	1	1	1	1	1	1	1	1	1	1	1	1	1	1	1	1	1	1	1	1	1
12	EVAP ASM 1R 7MM 22FPI	113901370001	1	1
12	EVAP ASM 3R 7MM 22FPI	113902720001	1	1	1	.	1	1	.	1	1	.	.	1	1	1	1
12	EVAP ASM 3R 5/16 22FPI	113901590004
12	EVAP ASM 2R 3/8 22FPI	113901480002	1	1	1	1	.	1	.	1	.	1	1	.	1	1	
NI	CAPILLARY	S002C0002134	3	3	3	3	3	3
NI	CAPILLARY .042X.098X30.5	S002C0002190	1	1
NI	CAPILLARY	S002C0002221	2	2	2	2	2	2	2	2
NI	CAPILLARY .042X.098X27.5	S002C0002279	3	3
NI	VALVE-DRAIN PAN	113900710002	1	1	1	1	1	1	1	1	1	1	1	1
NI	STRAINER-.311/.305X1.38L	886000220006	1	1	1	1	1	1	1	1	1	1	1	1	1	1	1	1	1	1	1	1	1	1	1	1