

This Owner's Manual is provided and hosted by [Appliance Factory Parts](#).



# COMFORT-AIRE MAH42A-1K Owner's Manual

[Shop genuine replacement parts for COMFORT-AIRE  
MAH42A-1K](#)



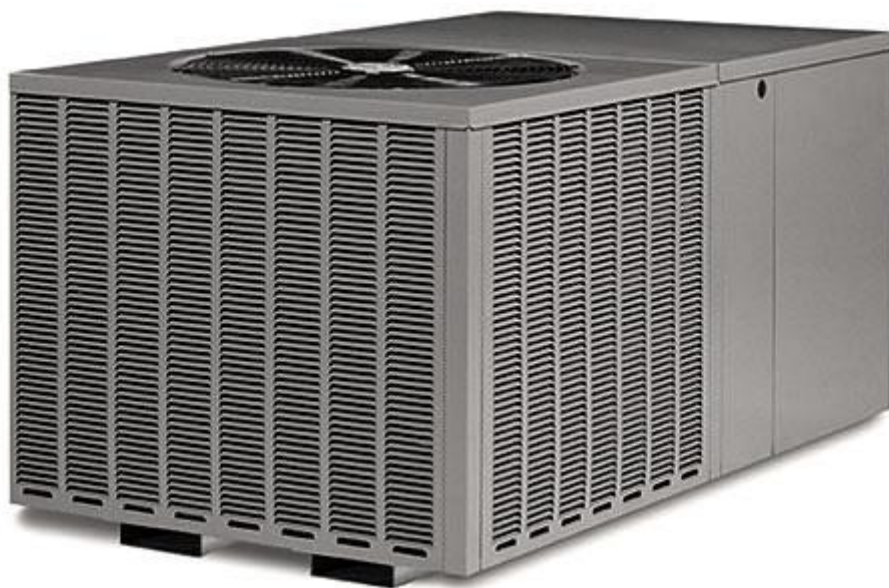
[Find Your COMFORT-AIRE HVAC Parts - Select From 1486 Models](#)

----- Manual continues below -----

HEAT CONTROLLER, INC.

# MAH

Parts List  
20-October-2011



*This parts list is current as of the above revision date.*

Form Number: 92-42810-MAH

# Table of Contents

|                                      |         |
|--------------------------------------|---------|
| Model Explanation .....              | Page 3  |
| Parts Numbers                        |         |
| Panels - Miscellaneous 024-036 ..... | Page 4  |
| Panels - Miscellaneous 042-060 ..... | Page 5  |
| Electrical Group .....               | Page 6  |
| Fan Group .....                      | Page 6  |
| Blower Group .....                   | Page 7  |
| Coil Parts .....                     | Page 8  |
| Compressor Group .....               | Page 9  |
| Heater Kits .....                    | Page 10 |
| Accessories .....                    | Page 10 |
| Drawings/Photographs                 |         |
| Exploded View .....                  | Page 11 |
| Control Panel .....                  | Page 12 |
| Blower Assembly .....                | Page 13 |
| Coil Assembly .....                  | Page 14 |
| Notes .....                          | Page 15 |

|                                 |  |  |  |  |  |  |  |  |  |
|---------------------------------|--|--|--|--|--|--|--|--|--|
| <b>MODEL NUMBER EXPLANATION</b> |  |  |  |  |  |  |  |  |  |
|---------------------------------|--|--|--|--|--|--|--|--|--|

|   |   |   |   |   |   |   |   |   |
|---|---|---|---|---|---|---|---|---|
| M | A | H | 2 | 4 | A | - | 1 | K |
| 1 |   |   | 2 |   | 3 |   |   |   |

- (1) **SERIES**
- (2) **COOLING CAPACITY (BTU/HR)**  
 24= 24,000  
 30= 30,000  
 36= 36,000  
 42= 42,000  
 48= 48,000  
 60= 60,000
- (3) **VARIATION**

|                                  |  |  |  |  |  |  |  |  |  |  |  |  |  |
|----------------------------------|--|--|--|--|--|--|--|--|--|--|--|--|--|
| <b>SERIAL NUMBER EXPLANATION</b> |  |  |  |  |  |  |  |  |  |  |  |  |  |
|----------------------------------|--|--|--|--|--|--|--|--|--|--|--|--|--|

|   |   |   |   |   |   |   |   |   |   |   |   |   |   |
|---|---|---|---|---|---|---|---|---|---|---|---|---|---|
| 7 | 0 | 9 | 2 | F | 0 | 7 | 0 | 1 | 9 | 9 | 9 | 9 | 9 |
| 1 |   |   |   | 2 | 3 |   |   | 4 | 5 |   |   |   |   |

- (1) **COMPRESSOR IDENTIFICATION NUMBER**
- (2) **PRODUCTION LOCATION**
- (3) **WEEK OF PRODUCTION**
- (4) **YEAR OF PRODUCTION**
- (5) **PRODUCTION NUMBER**

| No.                                | Notes | MODEL<br>COOLING CAPACITY<br>VARIATION           | MAH<br>24<br>A-1K | MAH<br>30<br>A-1K | MAH<br>36<br>A-1K |
|------------------------------------|-------|--|-------------------|-------------------|-------------------|
| <b>PANELS, MISCELLANEOUS PARTS</b> |       |  |                   |                   |                   |
| 1                                  |       | Louver Panel                                     | AE-100830-22      | AE-100830-22      | AE-100830-22      |
| 2                                  |       | Corner Post                                      | AE-100822-21      | AE-100822-21      | AE-100822-21      |
| 3                                  |       | Front Post                                       | AE-100821-21      | AE-100821-21      | AE-100821-21      |
| 4                                  |       | Louver Panel                                     | AE-100830-21      | AE-100830-21      | AE-100830-21      |
| 5                                  |       | Insulation Retainer                              | AE-100831-02      | AE-100831-02      | AE-100831-02      |
| 6                                  |       | Front Access Panel                               | AE-100823-21      | AE-100823-21      | AE-100823-21      |
| 7                                  | Stk   | Drainpan   | 68-100808-01      | 68-100808-01      | 68-100808-01      |
| 8                                  |       | Air Stop - Drainpan                              | AE-100825-01      | AE-100825-01      | AE-100825-01      |
| 9                                  |       | Air Stop - Drainpan                              | AE-100825-02      | AE-100825-02      | AE-100825-02      |
| 10                                 |       | Drainpan Tray                                    | AE-100809-01      | AE-100809-01      | AE-100809-01      |
| 11                                 |       | Control Access Panel                             | AE-100824-21      | AE-100824-21      | AE-100824-21      |
| 12                                 |       | Control Panel Assembly                           | AS-100807-01      | AS-100807-01      | AS-100807-01      |
| 13                                 |       | Base Rail (2)                                    | AE-100803-02      | AE-100803-02      | AE-100803-02      |
| 14                                 |       | Base Rail (2)                                    | AE-100803-01      | AE-100803-01      | AE-100803-01      |
| 15                                 |       | Base Pan   | AE-100804-01      | AE-100804-01      | AE-100804-01      |
| 16                                 |       | Right Panel Assembly                             | AS-100820-21      | AS-100820-21      | AS-100820-21      |
| 17                                 |       | Blower Support                                   | AE-100818-02      | AE-100818-02      | AE-100818-02      |
|                                    |       | Insulation Retainer (2)                          | AE-100831-01      | AE-100831-01      | AE-100831-01      |
|                                    |       | Duct Ring - 14 in.                               | 58-100850-01      | 58-100850-01      | 58-100850-01      |
| 18                                 |       | Transition Bottom                                | AE-100815-01      | AE-100815-01      | AE-100815-01      |
| 19                                 |       | Transition Top                                   | AE-100815-02      | AE-100815-02      | AE-100815-02      |
| 20                                 |       | Block Off Plate                                  | AE-100816-01      | AE-100816-01      | AE-100816-01      |
| 21                                 |       | Rear Panel Assembly                              | AS-100814-21      | AS-100814-21      | AS-100814-21      |
| 22                                 |       | Rear Air Stop                                    | AE-100810-01      | AE-100810-01      | AE-100810-01      |
| 23                                 |       | Top Panel Assembly (Indoor)                      | AS-100828-21      | AS-100828-21      | AS-100828-21      |
| 24                                 |       | Top Panel (Outdoor)                              | AE-100829-21      | AE-100829-21      | AE-100829-21      |
| 25                                 |       | Grille   | 95-100833-01      | 95-100833-01      | 95-100833-01      |
| 28                                 |       | Blower Support                                   | AE-100818-01      | AE-100818-01      | AE-100818-01      |
| 29                                 |       | Bulkhead Cap Assembly                            | AS-100826-21      | AS-100826-21      | AS-100826-21      |
| 30                                 |       | Bulkhead Assembly                                | AS-100812-01      | AS-100812-01      | AS-100812-01      |
| 37                                 |       | Low Voltage Mount                                | AE-100839-01      | AE-100839-01      | AE-100839-01      |
| 38                                 |       | Low Voltage Cover                                | AE-100839-02      | AE-100839-02      | AE-100839-02      |
| 43                                 |       | Heater Kit Delete Plate (Mounted in Control Box) | AE-100842-01      | AE-100842-01      | AE-100842-01      |
| 49                                 |       | Gaugeport Enclosure                              | AE-101352-01      | AE-101352-01      | AE-101352-01      |

| No.                                | Notes | MODEL<br>COOLING CAPACITY<br>VARIATION           | MAH<br>42<br>A-1K | MAH<br>48<br>A-1K | MAH<br>60<br>A-1K |
|------------------------------------|-------|--|-------------------|-------------------|-------------------|
| <b>PANELS, MISCELLANEOUS PARTS</b> |       |  |                   |                   |                   |
| 1                                  |       | Louver Panel                                     | AE-100830-22      | AE-100830-24      | AE-100830-24      |
| 2                                  |       | Corner Post                                      | AE-100822-21      | AE-100822-22      | AE-100822-22      |
| 3                                  |       | Front Post                                       | AE-100821-21      | AE-100821-22      | AE-100821-22      |
| 4                                  |       | Louver Panel                                     | AE-100830-21      | AE-100830-23      | AE-100830-23      |
| 5                                  |       | Insulation Retainer                              | AE-100831-02      | AE-100831-03      | AE-100831-03      |
| 6                                  |       | Front Access Panel                               | AE-100823-21      | AE-100823-22      | AE-100823-22      |
| 7                                  | Stk   | Drainpan   | 68-100808-01      | 68-100808-01      | 68-100808-01      |
| 8                                  |       | Air Stop - Drainpan                              | AE-100825-01      | AE-100825-01      | AE-100825-01      |
| 9                                  |       | Air Stop - Drainpan                              | AE-100825-02      | AE-100825-02      | AE-100825-02      |
| 10                                 |       | Drainpan Tray                                    | AE-100809-01      | AE-100809-01      | AE-100809-01      |
| 11                                 |       | Control Access Panel                             | AE-100824-21      | AE-100824-22      | AE-100824-22      |
| 12                                 |       | Control Panel Assembly                           | AS-100807-01      | AS-100807-02      | AS-100807-02      |
| 13                                 |       | Base Rail (2)                                    | AE-100803-02      | AE-100803-02      | AE-100803-02      |
| 14                                 |       | Base Rail (2)                                    | AE-100803-01      | AE-100803-01      | AE-100803-01      |
| 15                                 |       | Base Pan   | AE-100804-01      | AE-100804-01      | AE-100804-01      |
| 16                                 |       | Right Panel Assembly                             | AS-100820-21      | AS-100820-22      | AS-100820-22      |
| 17                                 |       | Blower Support                                   | AE-100818-02      | AE-100818-02      | AE-100818-02      |
|                                    |       | Insulation Retainer (2)                          | AE-100831-01      | AE-100831-01      | AE-100831-01      |
|                                    |       | Duct Ring - 14 in.                               | 58-100850-01      | 58-100850-01      | 58-100850-01      |
| 18                                 |       | Transition Bottom                                | AE-100815-01      | AE-100815-01      | AE-100815-01      |
| 19                                 |       | Transition Top                                   | AE-100815-02      | AE-100815-02      | AE-100815-02      |
| 20                                 |       | Block Off Plate                                  | AE-100816-01      | AE-100816-01      | AE-100816-01      |
| 21                                 |       | Rear Panel Assembly                              | AS-100814-21      | AS-100814-22      | AS-100814-22      |
| 22                                 |       | Rear Air Stop                                    | AE-100810-01      | AE-100810-02      | AE-100810-02      |
| 23                                 |       | Top Panel Assembly (Indoor)                      | AS-100828-21      | AS-100828-21      | AS-100828-21      |
| 24                                 |       | Top Panel (Outdoor)                              | AE-100829-21      | AE-100829-21      | AE-100829-21      |
| 25                                 |       | Grille   | 95-100833-01      | 95-100833-01      | 95-100833-01      |
| 28                                 |       | Blower Support                                   | AE-100818-01      | AE-100818-01      | AE-100818-01      |
| 29                                 |       | Bulkhead Cap Assembly                            | AS-100826-21      | AS-100826-21      | AS-100826-21      |
| 30                                 |       | Bulkhead Assembly                                | AS-100812-01      | AS-100812-02      | AS-100812-02      |
| 37                                 |       | Low Voltage Mount                                | AE-100839-01      | AE-100839-01      | AE-100839-01      |
| 38                                 |       | Low Voltage Cover                                | AE-100839-02      | AE-100839-02      | AE-100839-02      |
| 43                                 |       | Heater Kit Delete Plate (Mounted in Control Box) | AE-100842-01      | AE-100842-01      | AE-100842-01      |
| 49                                 |       | Gaugeport Enclosure                              | AE-101352-01      | AE-101352-01      | AE-101352-01      |

| No.                     | Notes | MODEL<br>COOLING CAPACITY<br>VARIATION   | MAH<br>24<br>A-1K    | MAH<br>30<br>A-1K | MAH<br>36<br>A-1K |
|-------------------------|-------|--|----------------------|-------------------|-------------------|
| <b>ELECTRICAL GROUP</b> |       |  |                      |                   |                   |
| CONTROL BOX COMPONENTS: |       |  |                      |                   |                   |
| 39                      |       | Terminal Strip                           | 45-23591-01          | 45-23591-01       | 45-23591-01       |
| 40                      | Stk   | Transformer                              | 46-100836-01         | 46-100836-01      | 46-100836-01      |
| 41                      | Stk   | Blower Time Delay                        | 47-23433-05          | 47-23433-05       | 47-23433-05       |
| 42                      | Stk   | Relay                                    | 42-101208-01         | 42-101208-01      | 42-101208-01      |
| 44                      | Stk   | Capacitor - Blower Motor                 | See Blower Group     |                   |                   |
| 45                      |       | Capacitor Strap - Blower Motor Capacitor | AE-50892-01          | AE-50892-01       | AE-50892-01       |
| 46                      | Stk   | Contactora                               | 42-42728-03          | 42-42728-03       | 42-42728-03       |
| 47                      |       | Capacitor Strap - Compressor/Fan         | AE-50892-56          | AE-50892-56       | AE-50892-56       |
| 48                      | Stk   | Capacitor - Compressor/Fan               | See Compressor Group |                   |                   |

| No.                     | Notes | MODEL<br>COOLING CAPACITY<br>VARIATION   | MAH<br>42<br>A-1K    | MAH<br>48<br>A-1K | MAH<br>60<br>A-1K |
|-------------------------|-------|--|----------------------|-------------------|-------------------|
| <b>ELECTRICAL GROUP</b> |       |  |                      |                   |                   |
| CONTROL BOX COMPONENTS: |       |  |                      |                   |                   |
| 39                      |       | Terminal Strip                           | 45-23591-01          | 45-23591-01       | 45-23591-01       |
| 40                      | Stk   | Transformer                              | 46-100836-01         | 46-100836-01      | 46-100836-01      |
| 41                      | Stk   | Blower Time Delay                        | 47-23433-05          | 47-23433-05       | 47-23433-05       |
| 42                      | Stk   | Relay                                    | 42-101208-01         | 42-101208-01      | 42-101208-01      |
| 44                      | Stk   | Capacitor - Blower Motor                 | See Blower Group     |                   |                   |
| 45                      |       | Capacitor Strap - Blower Motor Capacitor | AE-50892-01          | AE-50892-01       | AE-50892-01       |
| 46                      | Stk   | Contactora                               | 42-42728-03          | 42-42728-03       | 42-42478-02       |
| 47                      |       | Capacitor Strap - Compressor/Fan         | AE-50892-56          | AE-50892-56       | AE-50892-56       |
| 48                      | Stk   | Capacitor - Compressor/Fan               | See Compressor Group |                   |                   |

| No.              | Notes | MODEL<br>COOLING CAPACITY<br>VARIATION | MAH<br>24<br>A-1K    | MAH<br>30<br>A-1K | MAH<br>36<br>A-1K |
|------------------|-------|--|----------------------|-------------------|-------------------|
| <b>FAN GROUP</b> |       |  |                      |                   |                   |
| 26               | Stk   | Fan Motor                              | 51-100998-24         | 51-100998-24      | 51-100998-24      |
| 27               | Stk   | Fan Blade                              | 70-100580-08         | 70-100580-08      | 70-100580-08      |
| 48               |       | Capacitor - Fan Motor                  | See Compressor Group |                   |                   |

| No.              | Notes | MODEL<br>COOLING CAPACITY<br>VARIATION | MAH<br>42<br>A-1K    | MAH<br>48<br>A-1K | MAH<br>60<br>A-1K |
|------------------|-------|--|----------------------|-------------------|-------------------|
| <b>FAN GROUP</b> |       |  |                      |                   |                   |
| 26               | Stk   | Fan Motor                              | 51-100998-24         | 51-100998-25      | 51-100998-25      |
| 27               | Stk   | Fan Blade                              | 70-100580-08         | 70-100580-09      | 70-100580-09      |
| 48               |       | Capacitor - Fan Motor                  | See Compressor Group |                   |                   |

| No.                 | Notes | MODEL<br>COOLING CAPACITY<br>VARIATION | MAH<br>24<br>A-1K | MAH<br>30<br>A-1K | MAH<br>36<br>A-1K |
|---------------------|-------|--|-------------------|-------------------|-------------------|
| <b>BLOWER GROUP</b> |       |  |                   |                   |                   |
|                     | Stk   | Blower Assembly                        | AS-100841-01      | AS-100841-02      | AS-100841-03      |
| 51                  |       | Blower Housing w/Wheel                 | 70-100840-01      | 70-100840-01      | 70-100840-01      |
|                     | Stk   | Blower Wheel                           | 703017            | 703017            | 703017            |
| 52                  |       | Motor Band                             | 70-19927-03       | 70-19927-03       | 70-19927-03       |
| 53                  |       | Blower Arm Assembly (3)                | 70-19929-09       | 70-19929-09       | 70-19929-09       |
| 54                  | Stk   | Blower Motor                           | 51-100837-01      | 51-100837-02      | 51-100837-03      |
| 44                  | Stk   | Capacitor - Blower Motor               | 43-100497-09      | 43-100497-10      | 43-100497-46      |

| No.                 | Notes | MODEL<br>COOLING CAPACITY<br>VARIATION | MAH<br>42<br>A-1K | MAH<br>48<br>A-1K | MAH<br>60<br>A-1K |
|---------------------|-------|--|-------------------|-------------------|-------------------|
| <b>BLOWER GROUP</b> |       |  |                   |                   |                   |
|                     | Stk   | Blower Assembly                        | AS-100841-04      | AS-100841-05      | AS-100841-06      |
| 51                  |       | Blower Housing w/Wheel                 | 70-100840-02      | 70-100840-02      | 70-100840-02      |
|                     | Stk   | Blower Wheel                           | 703016            | 703016            | 703016            |
| 52                  |       | Motor Band                             | 70-19927-03       | 70-19927-03       | 70-19927-03       |
| 53                  |       | Blower Arm Assembly (3)                | 70-19929-09       | 70-19929-09       | 70-19929-09       |
| 54                  | Stk   | Blower Motor                           | 51-100837-04      | 51-100837-05      | 51-100837-06      |
| 44                  | Stk   | Capacitor - Blower Motor               | 43-100497-42      | 43-100497-42      | 43-100497-49      |



| No.                         | Notes | MODEL<br>TECHNICAL VARIATION<br>COOLING CAPACITY | MAH<br>24<br>A-1K          | MAH<br>30<br>A-1K | MAH<br>36<br>A-1K |
|-----------------------------|-------|--|----------------------------|-------------------|-------------------|
| <b>COIL GROUP</b>           |       |  |                            |                   |                   |
| <b>CONDENSER COIL:</b>      |       |  |                            |                   |                   |
| 32                          | Stk   | Condenser Coil (Outdoor Coil)                    | AS-100793-05               | AS-100793-05      | AS-100793-07      |
| <b>EVAPORATOR COIL:</b>     |       |  |                            |                   |                   |
| 33                          | Stk   | Evaporator Coil (Indoor Coil)                    | AS-100792-06               | AS-100792-07      | AS-100792-08      |
| 7                           |       | Drain Pan - Evaporator Coil                      | See Panels - Miscellaneous |                   |                   |
| 34                          |       | Bulb Strainer                                    | 83-26020-02                | 83-26020-02       | 83-26020-02       |
| 35                          | Stk   | TXV  | 61-101351-01               | 61-101351-02      | 61-101351-03      |
|                             |       | TXV Bulb Strap Kit                               | 64-101357-01               | 64-101357-01      | 64-101357-01      |
| 36                          |       | Draintrap Assembly                               | 68-100846-01               | 68-100846-01      | 68-100846-01      |
| <b>REFRIGERATION GROUP:</b> |       |  |                            |                   |                   |
| 50                          |       | Gaugeport Manifold - Valve Body (2)              | 61-22369-04                | 61-22369-04       | 61-22369-04       |
| 50                          |       | Gaugeport Manifold - Valve Core (2)              | 61-18551-01                | 61-18551-01       | 61-18551-01       |

| No.                         | Notes | MODEL<br>TECHNICAL VARIATION<br>COOLING CAPACITY | MAH<br>42<br>A-1K          | MAH<br>48<br>A-1K | MAH<br>60<br>A-1K |
|-----------------------------|-------|--|----------------------------|-------------------|-------------------|
| <b>COIL GROUP</b>           |       |  |                            |                   |                   |
| <b>CONDENSER COIL:</b>      |       |  |                            |                   |                   |
| 32                          | Stk   | Condenser Coil (Outdoor Coil)                    | AS-100793-07               | AS-100793-08      | AS-100793-09      |
| <b>EVAPORATOR COIL:</b>     |       |  |                            |                   |                   |
| 33                          | Stk   | Evaporator Coil (Indoor Coil)                    | AS-100792-09               | AS-100792-12      | AS-100792-13      |
| 7                           |       | Drain Pan - Evaporator Coil                      | See Panels - Miscellaneous |                   |                   |
| 34                          |       | Bulb Strainer                                    | 83-26020-02                | 83-26020-02       | 83-26020-02       |
| 35                          | Stk   | TXV  | 61-101351-04               | 61-101351-07      | 61-101351-06      |
|                             |       | TXV Bulb Strap Kit                               | 64-101357-01               | 64-101357-01      | 64-101357-01      |
| 36                          |       | Draintrap Assembly                               | 68-100846-01               | 68-100846-01      | 68-100846-01      |
| <b>REFRIGERATION GROUP:</b> |       |  |                            |                   |                   |
| 50                          |       | Gaugeport Manifold - Valve Body (2)              | 61-22369-04                | 61-22369-04       | 61-22369-04       |
| 50                          |       | Gaugeport Manifold - Valve Core (2)              | 61-18551-01                | 61-18551-01       | 61-18551-01       |

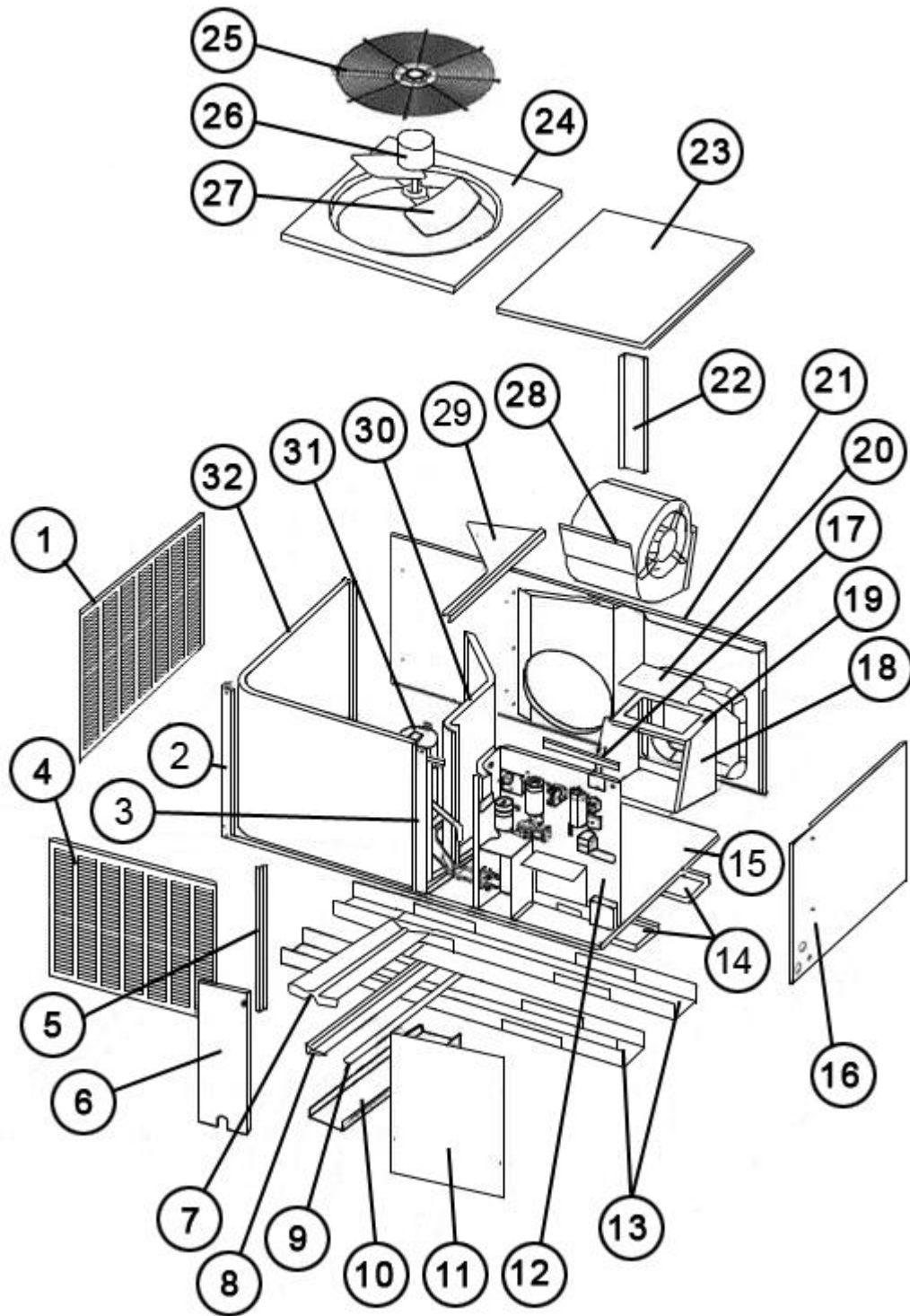
| No.                     | Notes | MODEL<br>TECHNICAL VARIATION<br>COOLING CAPACITY | MAH<br>24<br>A-1K | MAH<br>30<br>A-1K | MAH<br>36<br>A-1K |
|-------------------------|-------|--|-------------------|-------------------|-------------------|
| <b>COMPRESSOR GROUP</b> |       |  |                   |                   |                   |
|                         |       | <b>Compressor ID:</b>                            | <b>7208</b>       | <b>7210</b>       | <b>7212</b>       |
| 31                      | Stk   | Compressor                                       | 55-100835-07S     | 55-100835-17S     | 55-100835-14S     |
| 48                      | Stk   | Run Capacitor - Fan/Compressor                   | 43-101665-44      | 43-26271-41       | 43-26271-41       |
| 55                      | Stk   | Compressor Wiring Harness (Molded Plug)          | 45-100834-80      | 45-100834-80      | 45-100834-80      |

| No.                     | Notes | MODEL<br>TECHNICAL VARIATION<br>COOLING CAPACITY | MAH<br>42<br>A-1K | MAH<br>48<br>A-1K | MAH<br>60<br>A-1K |
|-------------------------|-------|--|-------------------|-------------------|-------------------|
| <b>COMPRESSOR GROUP</b> |       |  |                   |                   |                   |
|                         |       | <b>Compressor ID:</b>                            | <b>7213</b>       | <b>7214</b>       | <b>7215</b>       |
| 31                      | Stk   | Compressor                                       | 55-100835-15S     | 55-100835-04S     | 55-100835-18S     |
| 48                      | Stk   | Run Capacitor - Fan/Compressor                   | 43-26261-15       | 43-26271-38       | 43-26271-30       |
| 55                      | Stk   | Compressor Wiring Harness (Molded Plug)          | 45-100834-80      | 45-100834-80      | 45-100834-80      |

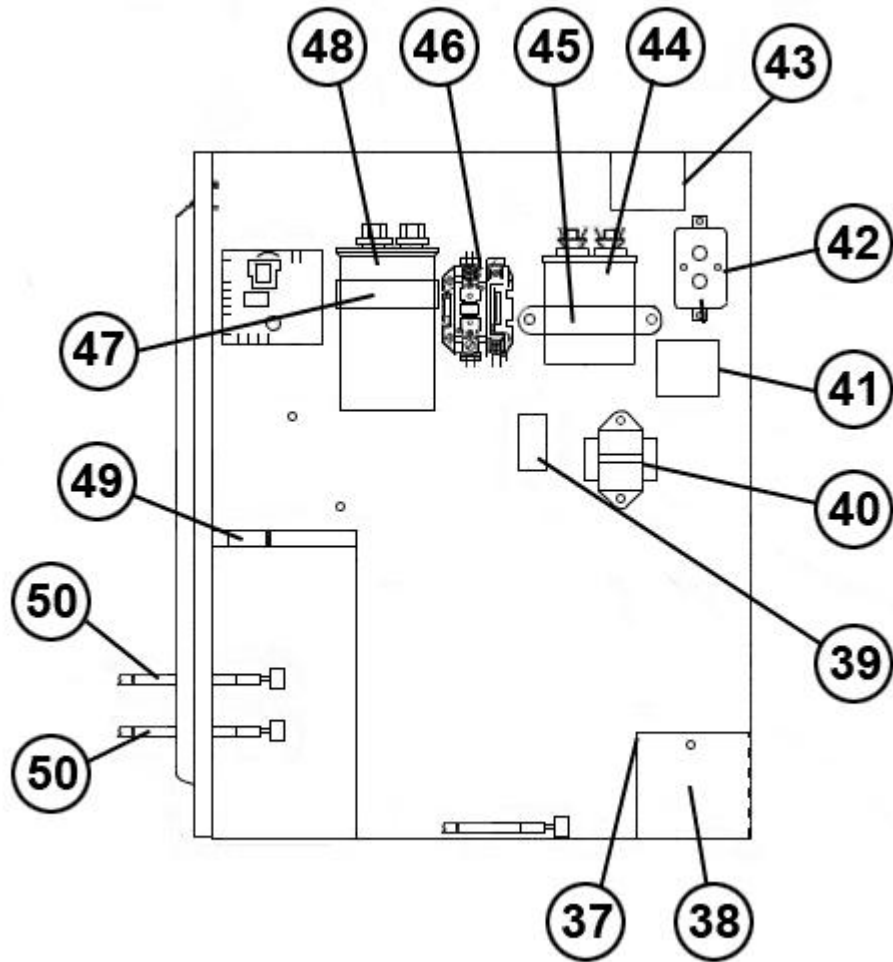
| No.                | Notes | MODEL<br>TECHNICAL VARIATION<br>COOLING CAPACITY | MAH<br>24<br>A-1K | MAH<br>30<br>A-1K | MAH<br>36<br>A-1K |
|--------------------|-------|--|-------------------|-------------------|-------------------|
| <b>HEATER KITS</b> |       |  |                   |                   |                   |
|                    |       | Heater Kit (5 kW)                                | RXQJ-C05J         | RXQJ-C05J         | RXQJ-C05J         |
|                    |       | Heater Kit (7 kW)                                | RXQJ-C07J         | RXQJ-C07J         | RXQJ-C07J         |
|                    |       | Heater Kit (10 kW)                               | RXQJ-C10J         | RXQJ-C10J         | RXQJ-C10J         |
|                    |       | Heater Kit (15 kW)                               | N/A               | RXQJ-C15J         | RXQJ-C15J         |
|                    |       | Heater Kit (20 kW)                               | N/A               | N/A               | N/A               |

| No.                | Notes | MODEL<br>TECHNICAL VARIATION<br>COOLING CAPACITY | MAH<br>42<br>A-1K | MAH<br>48<br>A-1K | MAH<br>60<br>A-1K |
|--------------------|-------|--|-------------------|-------------------|-------------------|
| <b>HEATER KITS</b> |       |  |                   |                   |                   |
|                    |       | Heater Kit (5 kW)                                | RXQJ-C05J         | RXQJ-C05J         | RXQJ-C05J         |
|                    |       | Heater Kit (7 kW)                                | RXQJ-C07J         | RXQJ-C07J         | RXQJ-C07J         |
|                    |       | Heater Kit (10 kW)                               | RXQJ-C10J         | RXQJ-C10J         | RXQJ-C10J         |
|                    |       | Heater Kit (15 kW)                               | RXQJ-C15J         | RXQJ-C15J         | RXQJ-C15J         |
|                    |       | Heater Kit (20 kW)                               | RXQJ-C20J         | RXQJ-C20J         | RXQJ-C20J         |

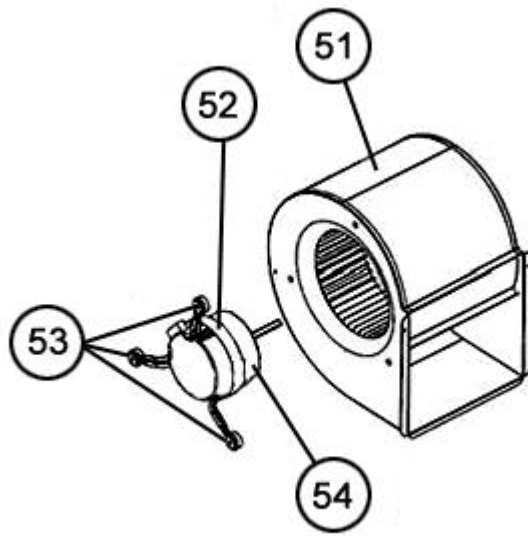
| No.                 | Notes | MODEL<br>TECHNICAL VARIATION<br>COOLING CAPACITY | MAH<br>ALL<br>ALL |  |  |
|---------------------|-------|--|-------------------|--|--|
| <b>AACCESSORIES</b> |       |  |                   |  |  |
|                     |       | Outdoor Thermostat                               | RXPT-A01          |  |  |



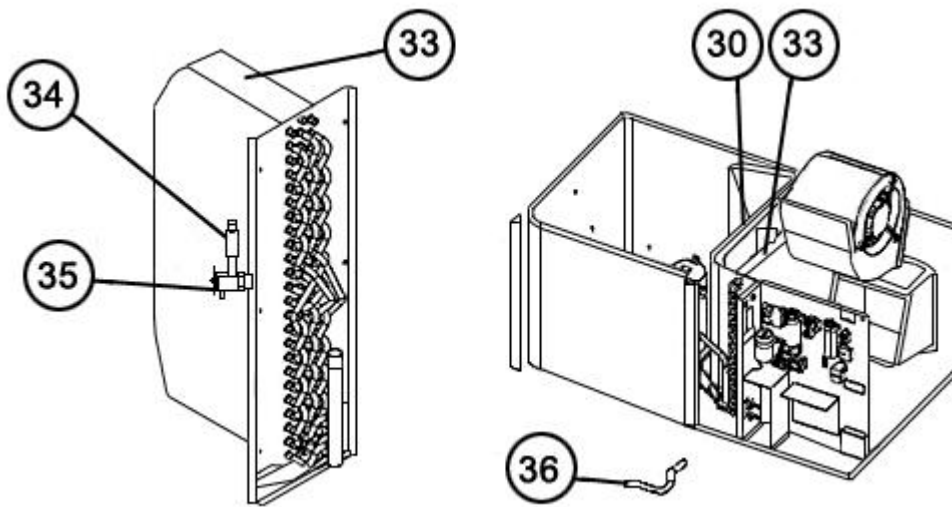
Exploded View



Control Panel



Blower Assembly



Coil Assembly

# NOTES

Stk It is recommended that stock be maintained for this part.  
N/A Not Applicable