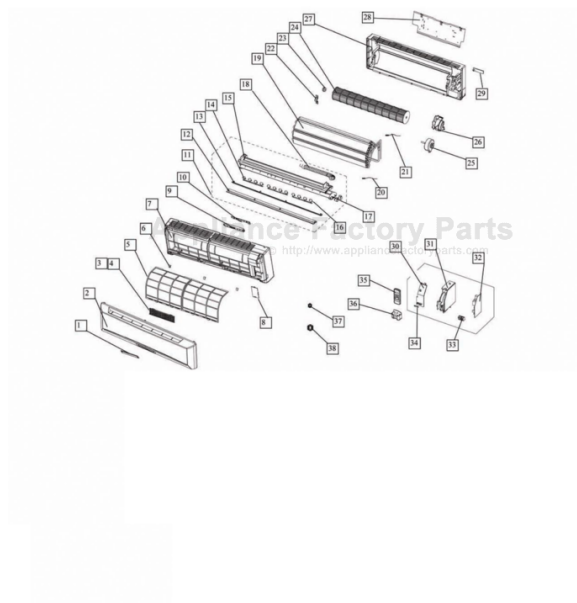


This Owner's Manual is provided and hosted by [Appliance Factory Parts](http://www.appliancefactoryparts.com).



COMFORT-AIRE SMH12SB-0 Owner's Manual

[Shop genuine replacement parts for COMFORT-AIRE
SMH12SB-0](#)



[Find Your COMFORT-AIRE HVAC Parts - Select From 1486 Models](#)

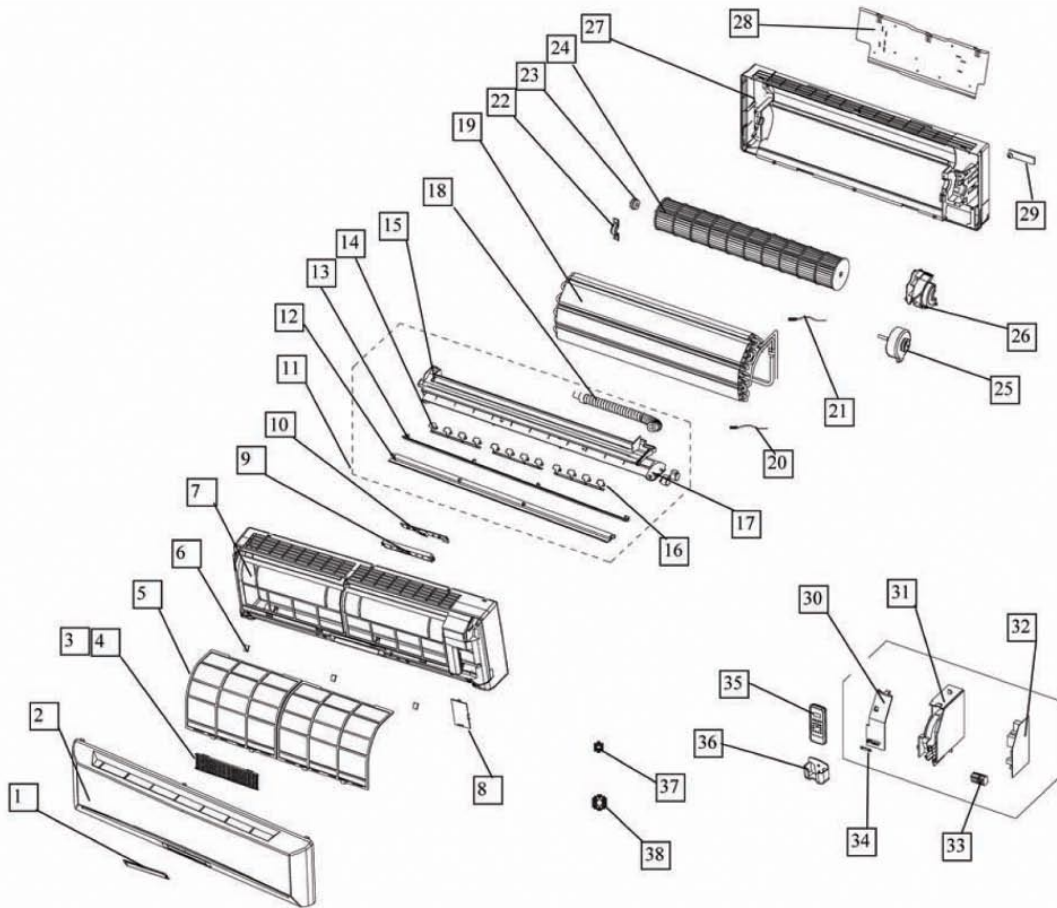
----- Manual continues below -----

HEAT CONTROLLER, INC.

**REPLACEMENT
PARTS**

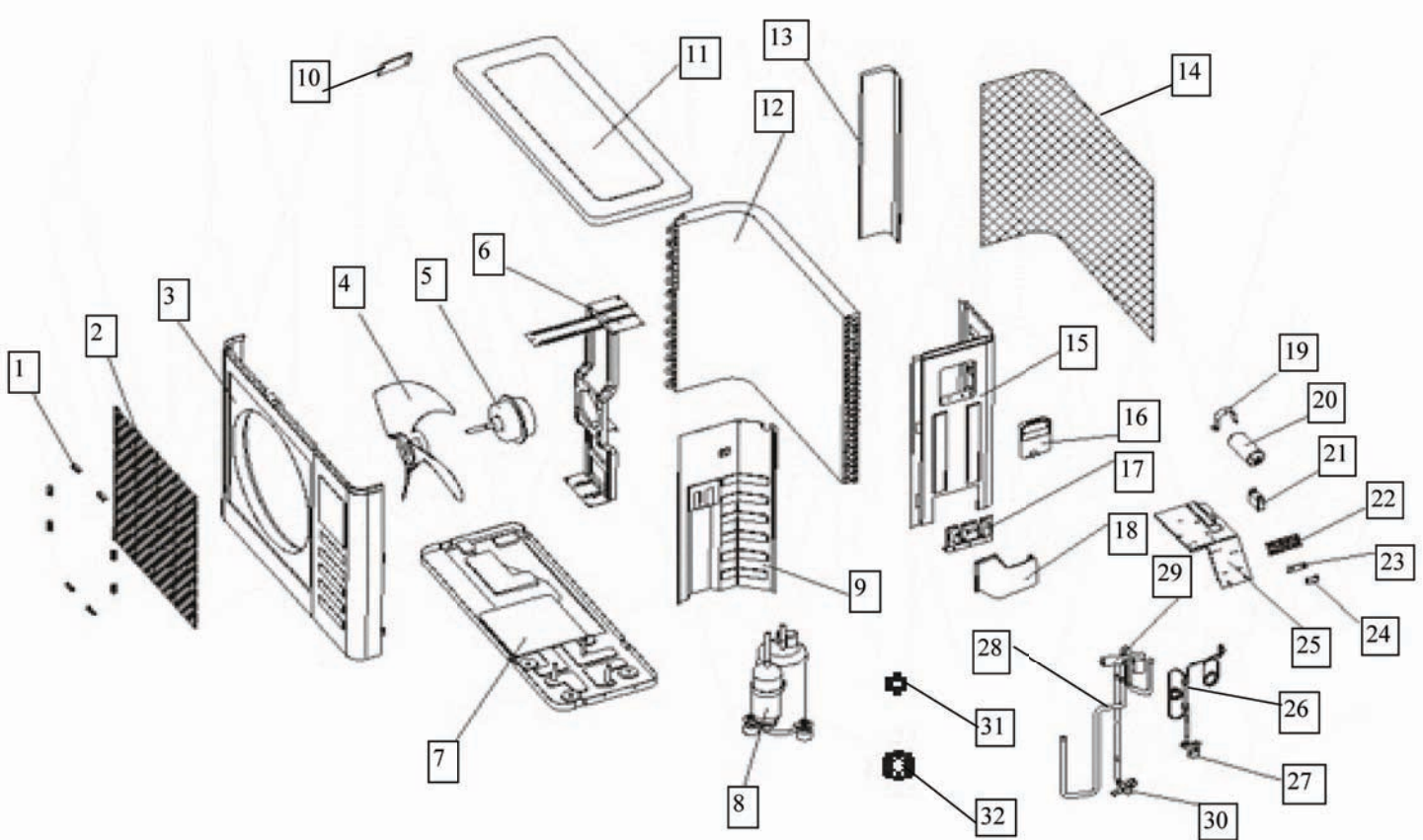
**“S” Series Mini-Split
Version B**

SMH12SB-0



No.	Part Name	Quantity	Sale code	BOM Code
1	Indicator for LED	1	13518111001	201130290215
2	Panel	1	13518111002	201130290163
3	Air cleaner	1	10109121226	201130100212
4	Air cleaner holder	1	10109121225	201130100217
5	air filter	2	13518111003	201130290162
6	Screw cap	3	13518111004	201130290161
7	Panel frame assy	1	13518111005	201130290164
8	Window cover for repairing	1	13518111028	201130290288
9	display board holder	1	13518111007	201130290159
10	display board assy	1	13518111008	203330290078
11	Air out frame assy	1	13818121029	201130290253
12	Horizontal louver,up	1	10316121818	201130290280
13	Horizontal louver,down	1	10316121819	201130290279
14	Vertical louver	12	13518111012	201130290212
15	Air out frame	1	13518111013	201130290211
16	Grille holder	3	11618111009	201130210066
17	Louver motor	1	15018121013	202400200019
18	Drain hose	1	10112121213R	201101020014
19	Evaporator,assy	1	12818111014	201530290013
20	Evaporator temp sensor	1	11612121059	202432390004
21	Indoor temp sensor	1	10312122433	202432390005
22	Fixing board for bear	1	13112121003	201130510515
23	Bearing holder	1	12818111015	202730500001
24	Cross flow fan,assy	1	11618111011	201100200014
25	Fan motor	1	10312121259	202400300011
26	Motor cover	1	10316121002	201132800003
27	Chassis	1	10316121821	201132800001
28	Installed Plate	1	10312121215	201230500005
29	Connecting pipe clamp	1	10309121225	201130100204
30	E-Parts box's cover	1	11607111052	201130210070
31	E-Parts box	1	11607111053	201130210069
32	Main control board (including Program chip)	1	10312122442	201332590059
		1	10312121795	201300740131
33	Wire joint, 5p	1	10609111006	202301450105
34	Wire Clip	1	10318121234	201130400042
35	Remote Controller (FAHRENHEIT)	1	10312122441	203355090263
36	Holder, Remote Controller	1	10718121009	201131390022
37	Copper nut, TLM-A01	1	10909121012	201600320000
38	Copper nut, TLM-C03	1	10912121019	201600320002

No.	Part Name	Quantity	Part Number	BOM Code
35	Remote Controller (CELSIUS)	1	10109121207	203355090007



No.	Part Name	Quantity	Sale code	BOM code
1	Clamp for front net	6	10112121801	201135110801
2	Front Net Cover Ass'y	1	10118111018	201235290030
3	Front clapboard	1	11612121804	201235270248
4	Propeller fan	1	10112121803	201100300502
5	Fan motor	1	12109114801	202400490020
6	Holder for fan motor	1	12909121801R	201235270402
7	Chassis	1	10312113804	201235270222
8	Compressor	1	10312121247	201400630350
9	Separating board	1	12909121804	201235270007
10	Small Handle	1	10830121811	201150290006
11	Cover	1	11612121806	201235270249
12	Condenser	1	12812121802	201535290100
13	Installation board, left	1	11612121805	201235270250
14	Rear net	1	11607111058	201135270207
15	Right clapboard	1	10312121239	201237590003
16	Big handle	1	10309121003	201235290217
17	Installation plate for valves	1	10309121809	201235120614
18	Water collector	1	10312121811	201135270201
19	Capacitor clamp	1	10109121822	201200100005
20	Compressor capacitor	1	10318111009	202401000751
21	Fan motor capacitor	1	11442122024	202401190010
22	Wire joint	1	10309121005	202301450106
23	Washer for wire joint	1	10112121817	201135000004
24	Clamp for wiring	1	10112121816	201219900001
25	Installation board for E-parts	1	10318111822	201237590006
26	High Pressure Valve Ass'y	1	10321111809	201637590078
27	Liquid pipe valve	1	10307121801	201600740523
28	Low pressure Valve Ass'y	1	10312121548	201637590109
29	4-ways valve	1	10321111811	201600690009
30	Low-pressure Valve	1	10412121801	201600720618
31	Copper nut, TLM-A01	1	10909121012	201600320000
32	Copper nut, TLM-C03	1	10912121019	201600320002
33	Main control board ass'y	1	10321121039	201337390001
34	Outdoor pipe temp sensor	1	12909121803	202440500006
35	Electric control ass'y	1	10321111812	203337590003

**Design, materials, performance data and components
subject to change without notice.**

HEAT CONTROLLER, INC.

1900 Wellworth Ave Jackson, Michigan 49203 • Ph. 517-787-2100 • Fax 517-787-9341

THE QUALITY LEADER IN CONDITIONING AIR

www.heatcontroller.com