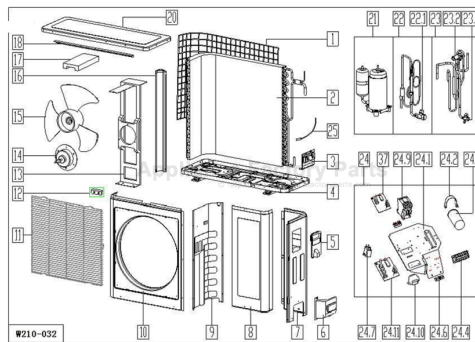


This Owner's Manual is provided and hosted by [Appliance Factory Parts](#).



COMFORT-AIRE A-SMH18SC Owner's Manual

[Shop genuine replacement parts for COMFORT-AIRE
A-SMH18SC](#)



[Find Your COMFORT-AIRE HVAC Parts - Select From 1486 Models](#)

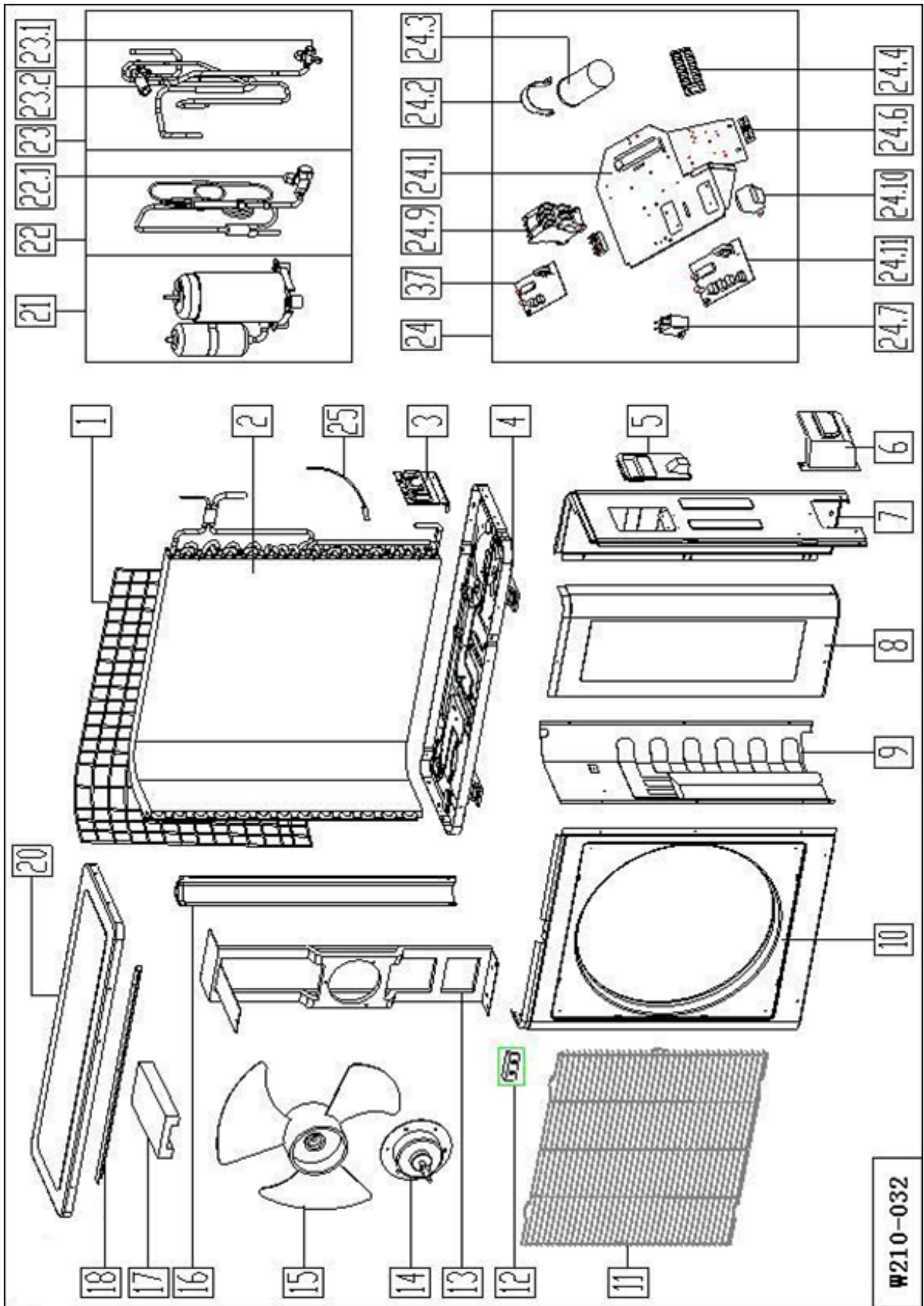
----- Manual continues below -----

HEAT CONTROLLER, INC.

REPLACEMENT PARTS LIST

Single Zone Ductless Mini-Splits A-SMH18SC Outdoor Heat Pump

EXPLODED VIEW



REPLACEMENT PARTS

| Location | Part Name | Quantity | Part No. |
|----------|--------------------------------------|----------|--------------|
| 1 | Rear net | 1 | 2011481G0001 |
| 2 | Condenser assembly | 1 | 201535490081 |
| 3 | Valve plate | 1 | 201237300285 |
| 4 | Chassis assembly | 1 | 201248100371 |
| 5 | Big handle | 1 | 201237390104 |
| 6 | Water collector | 1 | 201137390017 |
| 7 | Rear right clapboard assembly | 1 | 201237890100 |
| 8 | Front right clapboard assembly | 1 | 201248100354 |
| 9 | Partition board assembly | 1 | 2012380A0004 |
| 10 | Front panel | 1 | 201248100359 |
| 11 | Air outlet grille | 1 | 201237890119 |
| 12 | Clamp of front net | 8 | 201135110801 |
| 13 | Supporter assembly of fan motor | 1 | 2012481G0038 |
| 14 | Asynchronous motor | 1 | 202400410731 |
| 15 | Axial flow fan | 1 | 201145500002 |
| 16 | Left supporter | 1 | 201248100367 |
| 17 | Fan motor fixing foam | 1 | 202245500001 |
| 18 | Rear net frame | 1 | 201248100076 |
| 20 | Top cover assembly | 1 | 201248100363 |
| 21 | Compressor | 1 | 201400630370 |
| 22 | liquid valve assembly | 1 | 201637890044 |
| 22.1 | Liquid valve | 1 | 201600700078 |
| 23 | 4-way valve assembly | 1 | 201637890060 |
| 23.1 | Gas valve | 1 | 201600720686 |
| 23.2 | 4-Ways valve | 1 | 201600690011 |
| 24 | Electronic control box assembly | 1 | 2033378A0086 |
| 24.1 | Installation plate of electric parts | 1 | 201238090069 |
| 24.2 | Capacitor clip | 1 | 201200100057 |
| 24.3 | Capacitor of compressor | 1 | 202401090056 |
| 24.4 | Wire joint | 1 | 202301400063 |
| 24.4 | Wire joint | 1 | 202301450122 |
| 24.6 | Insulation plate | 1 | 201135000004 |
| 24.7 | Fan motor capacitor | 1 | 202401100353 |
| 24.9 | AC contactor | 1 | 202300850046 |
| 24.10 | Transformer | 1 | 202300900179 |
| 24.11 | Main control board assembly | 1 | 201337890001 |
| 25 | Pipe temperature sensor assembly | 1 | 202440500004 |
| 37 | Low ambient kit | 1 | 203319900480 |

Design, material, performance data and components
subject to change without notice.

HEAT CONTROLLER, INC.

1900 Wellworth Ave., Jackson, MI 49203 • Ph. 517-787-2100 • Fax 517-787-9341

THE QUALITY LEADER IN CONDITIONING AIR

www.heatcontroller.com