

This Owner's Manual is provided and hosted by [Appliance Factory Parts](#).



DYNA-GLO HA1360R-1 Owner's Manual

[Shop genuine replacement parts for DYNA-GLO
HA1360R-1](#)



[Find Your DYNA-GLO HVAC Parts - Select From 146 Models](#)

----- Manual continues below -----

USER'S MANUAL AND OPERATING INSTRUCTIONS



For Manual



For Product
Registration

Model #

HA1360RH
HA1360R
HA1360BK
HA2360R
HA2360BK

READ INSTRUCTIONS CAREFULLY:

Read and follow all instructions. Place instructions in a safe place for future reference. Do not allow anyone who has not read these instructions to assemble, light, adjust or operate the heater.

PORTABLE PROPANE HEATER FOR
RECREATIONAL,
COMMERCIAL AND
EMERGENCY INDOOR USE
FOR US SALE EXCEPT
MASSACHUSETTS
Patent Pending



⚠ WARNING: If the information in this manual is not followed exactly, a fire or explosion may result causing property damage, personal injury or loss of life.

- Do not store or use gasoline or other flammable vapors and liquids in the vicinity of this or any other appliance.
- An LP cylinder not connected for use shall not be stored in the vicinity of this or any other appliance.
- **WHAT TO DO IF YOU SMELL GAS**
 - Do not try to light appliance.
 - Extinguish any open flame.
 - Shut off gas to appliance.
- Service must be performed by a qualified service agency.



CSA 4.98 US, GAS-FIRED PORTABLE HEATERS
FOR RECREATIONAL AND COMMERCIAL USE

This is an unvented gas-fired portable heater. It uses air (oxygen) from the area in which it is used.

Adequate combustion and ventilation air must be provided. Refer to page 4.

CONSUMER: Retain this manual for future reference.

Questions, problems, missing parts? Before returning to your retailer, call our customer service department at 877-447-4768 8:30 a.m. – 4:30 pm CST, Monday – Friday
or email us at customerservice@ghpgroupinc.com
www.ghpgroupinc.com

TABLE OF CONTENTS

Service / Parts Ordering Information 1

General Safety Instructions 2

General Information 3

Tank Installation Instructions 5

Operating with Disposable Propane Cylinders 5

Operating With Hose Connected to Remote Cylinder. 5

Lighting Operation Instructions..... 6

Maintenance 8

Troubleshooting 9

Parts List 11

Warranty..... 13

 WARNING:

Every time hose or tank is connected to unit, connection must be checked for leaks in one or more ways: Apply soapy water to connection, look for bubbles, listen for hiss of escaping gas, feel for extreme cold, smell for rotten egg odor. Do not use if leaking!

 WARNING:

Any changes to this heater or its controls can be dangerous.

 WARNING:

Early signs of carbon monoxide poisoning resemble the flu, with headache, dizziness and/or nausea. If you have these signs, heater may not be working properly. Get fresh air at once! Have heater serviced.

 WARNING:

Some people-pregnant women, persons with heart or lung disease, anemia, those under the influence of alcohol, those at high altitudes - are more affected by carbon monoxide than others.

 WARNING:

If the recreational or commercial enclosure does not have a window or roof vent that is open, **DO NOT USE THIS HEATER** inside.

 WARNING:

Combustion by-products produced when using this product contain carbon monoxide, a chemical know to the state of California for cause cancer and birth defects (and other reproductive harm).

NOTICE: Not for use in a "dwelling home" in California.

CALIFORNIA PROPOSITION 65: Fuels used in gas or oil fired appliances and the products of combustion of such fuels, contain chemicals known to the State of California to cause cancer, birth defects or other reproductive harm. This product contains chemicals, including lead and lead compounds, known to the State of California to cause cancer, birth defects or other reproductive harm. ***Wash hands after handling.***

NEVER LEAVE THE HEATER UNATTENDED WHILE BURNING!

GENERAL INFORMATION:

- This heater is safe for indoor use in small recreational enclosures, having means for providing combustion air and ventilation, such as enclosed porches, cabins, fishing huts, trailers, tent trailers, tents, truck caps and vans. It may be used for emergency indoor heating when connected to a disposable 1 lb. propane cylinder and for indoor use in commercial enclosures, having means for providing combustion air and ventilation, such as construction trailers or temporary work enclosures.
- When the heater is cold or at room temperature, it will take a few minutes for the burner to turn bright orange. This is normal and the heater is working properly. Also, during the initial lighting, the oil used during manufacturing process needs to burn off. This can take up to 60 minutes of continuous burning. Some odor and yellow flames may occur during this time but will diminish after the burn-in period.
- After a few hours of operation the upper burner plate will discolor due to the heat of normal operation. This is normal and does not affect the safe operation of the unit.
- It is recommended not to use the heater in windy conditions. The heater may flutter reducing the effectiveness of the appliance and could have excessive pilot outages.
- When the unit is lit, there should be about a quarter inch border that will not turn bright orange. This is normal.
- When operating the heater at altitudes over 7,000 FT. above sea level, the unit may not burn as bright as in lower altitudes. This is normal. At higher altitudes, the heater may shut-off. If this happens, provide fresh air, wait 5 minutes and re-light. Due to local atmospheric conditions heater may not re-light.
- When moving heater when lit or bumping heater setting it down, tip over switch may shut off heater. If this happens, re-light.
- Operating time will vary depending on the heater setting and the supply cylinder size. See chart and "Cold Weather Operations" section.
- **NOTE: This HEATER MAY BE OPERATED WITH (1) OR (2) DISPOSABLE 1 LB. PROPANE CYLINDERS OR WITH (1) REMOTE REFILLABLE PROPANE CYLINDER MAX. 20 LBS USING BOTH (1) Dyna-Glo Model # HAKITDG 12' Extension Hose and (1) Dyna-Glo Model # HAKITDG Fuel Filter (Sold Separately)**

COLD WEATHER OPERATION:

- Cold weather is generally defined as ambient temperatures below 32 degrees F.
- 1 lb. propane cylinders have difficulty producing sufficient gas at lower temperatures and can "freeze-up", reducing the time of operation by as much as 50-70%. For this reason, it is recommended to use only 20 lb. propane tanks under these conditions.
- If a 1 lb. tank is used in cold weather, such as in an ice fishing hut, following are some operating suggestions;
 1. Expect operating times to be significantly reduced.
 2. Never use only a single 1 lb. tank on the Heat Around Elite unit, Model HA2360.
 3. Never set the heater directly on the ice. Set the heater on a rigid piece of flame retardant insulation and make sure the ventilation slots on the bottom of the heater are not obstructed.
 4. Elevate the heater slightly above the ground level. Insure the unit is level and secure and cannot be knocked over.
 5. Keep the tank access door open. This provides some additional heat to warm the 1 lb. cylinder.
 6. Adequate ventilation and combustion air must be provided.
 7. Maintain all clearances as specified on Page 4.

WARNING:

Carefully watch the Heater for signs of the 1 lb. cylinder "freezing-up". If the lower portion of the burner starts to turn from orange to blue and begins sputtering immediately shut off the heater and remove it from any enclosure.

**NEVER LEAVE THE HEATER
UNATTENDED WHILE BURNING!**

TANK INSTALLATION INSTRUCTIONS

Tank Installation for DOT Certified 1 lb. Propane Cylinder(s) (Fig. 1)

- Open easy access tank compartment door(s).
- Locate regulator and swivel it upward by hand to provide better access for cylinder
- Attach cylinder(s) to swivel mount by gently turning clockwise until it is hand tight. Do not overtighten. Do not use tools to tighten.
- Check for gas leaks by using a 50% soap-water solution at the joint of the regulator and cylinder.

Tank Installation for 20 lb. Propane Cylinder (Fig. 1a)

- Open easy access tank compartment door(s).
- Locate regulator and swivel it upward by hand to provide better access for hose end adapter.
- Attach Fuel Filter, Model HAKITDG to swivel mount by gently turning clockwise until it is hand tight. Do not over tighten. Do not use tools to tighten.
- Attach GHP hose end adapter (No. HAKITDG) to fuel filter by gently turning clockwise until it is hand tight. Do not overtighten. Do not use tools to tighten.
- Check for gas leaks by using a 50% soap-water solution at the joint of the regulator and hose end adapter.

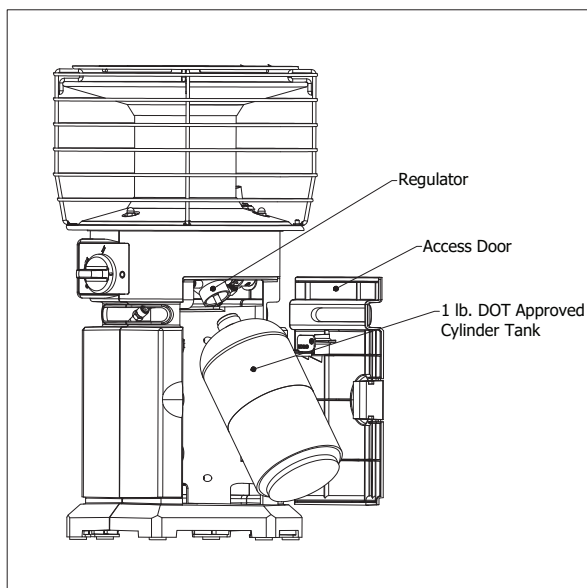


Fig. 1 - 1 lb. Cylinder Tank Installation

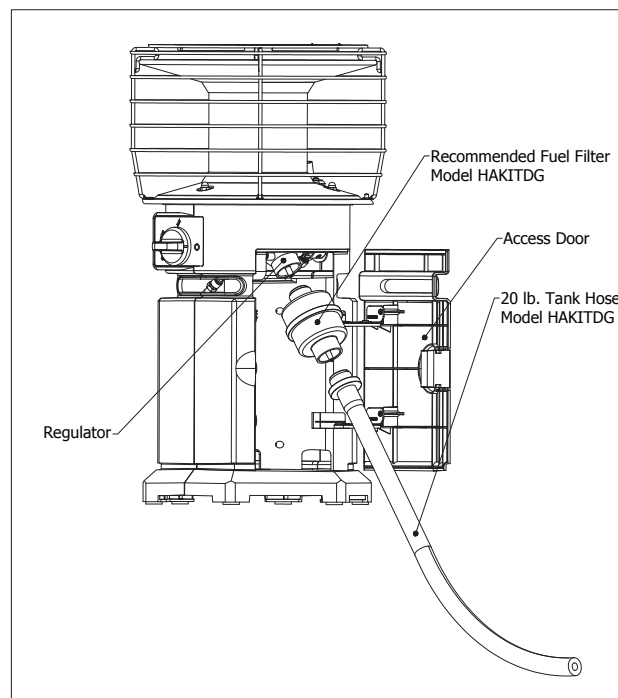


Fig. 1a - Remote Tank Installation

EMERGENCY INDOOR USE

- Adequate combustion and ventilation air must be provided when the appliance is in use. Refer to General Safety Instructions on Page 4 for additional information.
- Only disposable 1 lb. cylinders, marked as PROPANE can be used with this heater.
- NEVER bring a refillable propane cylinder indoors. A fire or explosion can occur causing property damage, serious injury, or death.

**NEVER LEAVE THE HEATER
UNATTENDED WHILE BURNING!**

LIGHTING, OPERATION, AND SHUTDOWN INSTRUCTIONS

1. Make sure the control knob is in the OFF position. "O"
2. Open the access door and install the propane fuel source;
 - a. Install a DOT certified 1 lb. propane cylinder.
 - b. Install the GHP hose connector model # HAKITDG.
 Check for gas leaks by using a 50% soap-water solution at the joint of the regulator and cylinder.
3. Depress the control knob and turn counter clockwise to the PILOT position. "⚡" The Igniter will spark each time this step is performed. Repeat until the pilot flame lights.
4. Continue holding the knob down in the PILOT position for **30 seconds or until pilot flame holds.**
5. Release the knob. The knob should return to the fully extended position and the pilot should remain lit.
6. Turn on the burner by depressing the knob slightly and gently turn the knob to the HI position "🔥".
7. Adjust heat output by turning the knob between HI and LOW position "🔥".
8. To shut down the heater turn the knob clockwise to the OFF position and remove the gas cylinder or close the propane tank shut off valve and allow the heater to burn off the gas in the hose, then turn the heater knob to the OFF position.

⚠ CAUTION

Do not try to adjust heating levels by using the propane tank shutoff valve. After turning heater off the guard will remain hot. Allow the heater to cool down before storing the heater.
Do not operate, store, connect or remove cylinder/hose connection near flammable items or ignition sources.

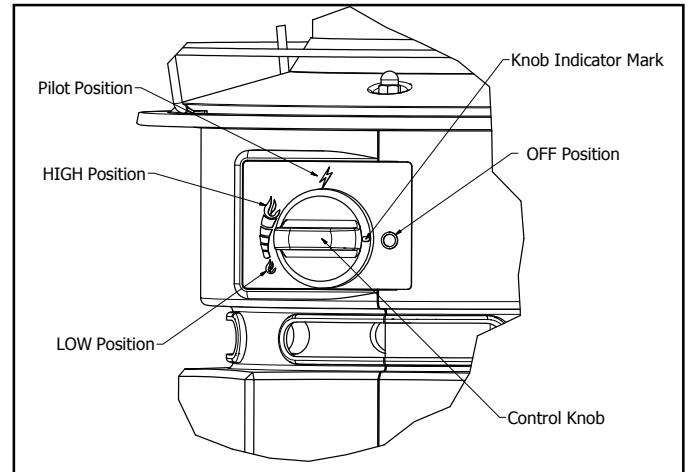


Fig. 2 - Lighting Instruction

LIGHTING / OPERATING INSTRUCTIONS FOR USE WITH HOSE(S) CONNECTED TO A REMOTE CYLINDER, MAXIMUM SIZE 20 LBS:

- This Heater may be used in a Recreational Enclosure or Temporary Construction Work Enclosure with a Remote Refillable Propane Cylinder ONLY when the Cylinder is Located Outdoors and the Heater is Used with GHP Hose No. HAKITDG.
- GHP Hose No. HAKITDG includes a hand-tightening tank connector and a #600 hose connector fitting.
- **⚠ WARNING: NEVER** bring a refillable propane cylinder indoors. A fire or explosion can occur causing property damage, serious injury or death!
- Inspect the hose before each use of the heater. If there is excessive abrasion or wear, or the hose is cut, replace prior to using the heater with Dyna-Glo HAKITDG.
- The propane cylinder must include a listed overfilling protection device as well as a collar to protect the cylinder valve.
- Heater must be in an upright position during operation.
- Screw hose connector into tank swivel on heater and screw opposite end of hose into LP gas tank valve. Tighten all hose connections. DO NOT use thread sealant on any of these connections.
- Open valve at LP-gas supply cylinder.
- Check all hose connections for leaks with soapy water at the threaded connection where the hose connector screws into the regulator and at LP-gas supply cylinder. SEE WARNING! ON ATTACHED HANG TAGS.

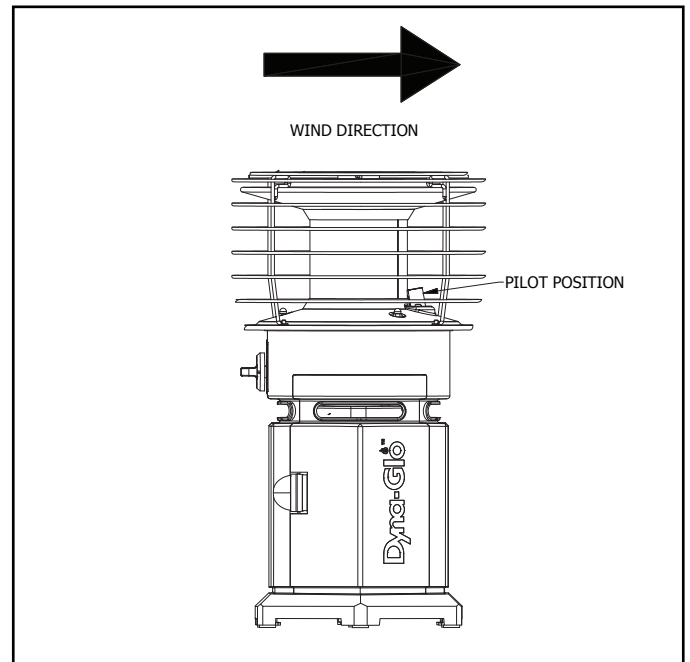


Fig. 3 - Lighting in Windy Areas

LIGHTING IN WINDY AREAS

1. Position the heater such that the Pilot is opposite the direction that the wind is coming from.
2. Position your body behind the heater such that your body blocks the wind while you are following the instructions for lighting the unit.

NEVER LEAVE THE HEATER UNATTENDED WHILE BURNING!

IMPORTANT NOTICE

REGARDING THIRD PARTY ATTACHMENTS TO ALL

DYNA-GLO HEATAROUND360 MODELS

GHP Group, Inc. is a leading manufacturing company specializing in portable heating products. Our products can be found at most major home centers, hardware stores and internet retailers across North America. In 2016, GHP introduced the HeatAround360 and HeatAround360 Elite portable heaters into the market. These heaters, which are sold under the Dyna-Glo brand feature an Oxygen Depletion Sensor ("ODS"), which shuts off the heater if the oxygen in the room gets below a certain point and a tip-over safety switch that turns it off in the event of it being knocked on its side. These features allow the heater to be safely used during numerous indoor and outdoor activities.

GHP recognizes the many different third party attachments for the HeatAround360 and is aware of their intended purpose of using the HeatAround360 to heat or cook food. GHP strongly encourages that these third party attachments NOT be used as they are neither certified, nor safe to be used to warm or cook food of any kind. HeatAround360 Heaters are not certified as a cooker and are not designed to operate in this manner. GHP explicitly prohibits the use of any type of non-approved attachments with its HeatAround360 heaters.

WARNING:




This product is a heater. It is certified to CSA International Requirement Section CSA 4.98 U.S.

"Gas Fired Portable Heaters for Recreational or Commercial Use." This product is NEVER to be used for the cooking or warming of foods as doing so can interfere with the safety systems of the heater, which may result in a fire, explosion, the production of deadly carbon monoxide, and personal injury or death to you or others. NEVER use hand-made or third party accessories or attachments with this heater; this is extremely dangerous and may result in personal injury or death to you or others

WARRANTY LANGUAGE

GHP Group, Inc. warrants its heaters and accessories to be free from defects in material and workmanship for a period of 1 year from date of purchase. GHP Group, Inc. will repair or replace this product free of charge if it has been proven to be defective within the 1-year period and is returned at customer expense with proof of purchase to GHP Group, Inc. within the warranty period. **DISCLAIMER:** This warranty does not cover any product that: a) has been subject to misuse or neglect; b) has been used in a manner inconsistent with the warnings and instructions contained in the owner's manual, including but not limited to using a heater for the cooking or warming of foods; or c) has been used with hand-made or third party accessories or attachments.

GHP prohibits the HeatAround360 heaters from being used for cooking or warming foods. Third party attachments intended to change the intended operation of the HeatAround360 are prohibited for use as they could cause serious harm to consumers. Using such products with GHP heaters will immediately void the product warranty. GHP values the safety of its consumers above all else and appreciates your continual trust in all GHP products. Please feel free to contact us at customerservice@ghpgroupinc.com with any questions.

-  **CAUTION:** After turning heater off, wire guard will remain hot. Allow to thoroughly cool before moving or storing.
-  **CAUTION:** When not in use, the gas must be turned off at the LP gas supply cylinder. As stated before allow heater to use up propane in supply line until heater shuts off. When the LP-gas supply cylinder is not disconnected from the heater, the heater and the cylinder must be stored outdoors, in a well ventilated space, out of reach of children, and must not be stored in a building, garage or any other enclosed area. Disconnect all cylinders when heater is not in use.
-  **CAUTION:** Indoor storage of the heater is permissible only if the cylinder is disconnected and removed from the heater. Cylinders must be stored outdoors out of the reach of children and must not be stored in a building, garage or any other enclosed area.

Both the 1 lb. and 20 lb. cylinders must be in an upright position during use to insure proper vapor withdraw.

1 lb. cylinders must be Dept. of Transportation (DOT) constructed and approved and have an outlet connection compatible with a CGA 600 fitting.

**NEVER LEAVE THE HEATER
UNATTENDED WHILE BURNING!**

MAINTENANCE:

Always keep the heater area clear and free from combustible materials, gasoline and other flammable vapors and liquids. Keep the vent areas (slots in the bottom and the top at the front of heater) clear at all times so combustion and ventilation air is not obstructed. Visually inspect the pilot flame and burner periodically during use so combustion and ventilation air is not obstructed. The pilot flame should be blue in color (not yellow) and will extend beyond the thermocouple. The flame will surround the thermocouple just below the tip, see Figure 4. A slight yellow flame may occur where the pilot flame and main burner flame meet. The burner(s) should be bright orange (with a slight blue color around the border, a red-orange haze that is visible on the burner is acceptable) and without a noticeable flame. A blue flame that rolls out at the top indicates an accumulation of dust, lint or spider webs inside the main burner assembly. If the pilot is yellow or the burner has a noticeable flame, cleaning may be required. Use the following procedure to inspect main burner assembly. It is necessary to periodically check the burner(s) orifice and burner venturi tube to make sure they are clear of insects/nests or spider webs that may accumulate over time. It is strongly recommended that these maintenance instructions be performed annually. A clogged tube can lead to a fire.

- 1 Allow heater to thoroughly cool before performing any maintenance.
- 2 Remove disposable 1 lb. cylinder(s) from heater or turn OFF gas supply at remote cylinder valve, and disconnect hose from heater.
- 3 Remove wire guard from heater by gently removing the four screws attaching the wire guard.
- 4 And then remove the (3) acorn nuts and gently remove the burner assembly exposing the burner venturi and pilot assembly
- 5 Inspect interior of casing assembly for accumulation of dust, lint or spider webs. If necessary, clean interior of casing assembly with a vacuum cleaner or apply air pressure. Do not damage any components within casing assembly when you are cleaning.
6. Inspect and clean main burner orifice located at bottom of burner venturi tube, by using a vacuum or apply air pressure at orifice opening.
- 7 Inspect and clean pilot (mounted to bracket) by using a vacuum or apply air pressure through the holes in the pilot indicated by the arrows in Figure 5.
WARNING: Never use needles, wires, or similar cylindrical objects to clean the pilot to avoid damaging the calibrated orifice that controls the gas flow.
- 8 Apply air pressure into burner assembly to remove dust, lint or spider webs.
- 9 Reinstall burner assembly and wire guard.

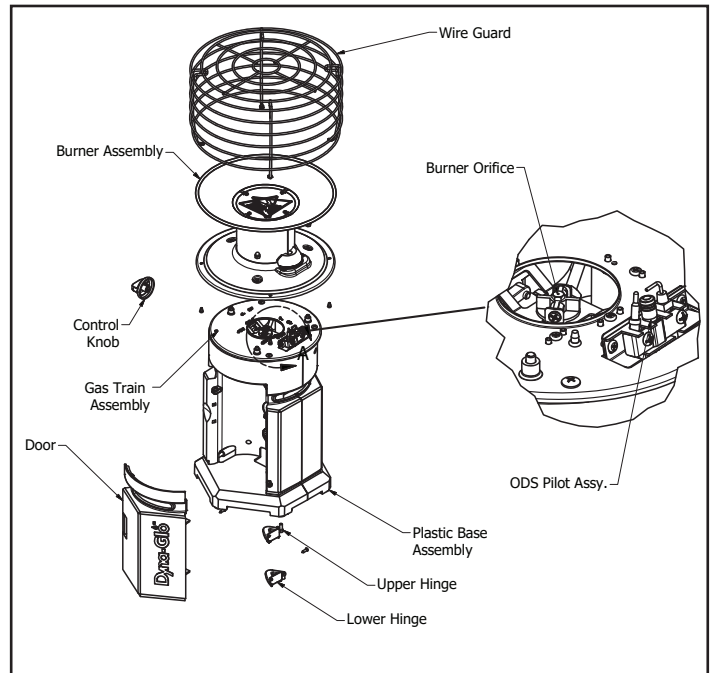


Fig. 4 - Burner Orifice Location

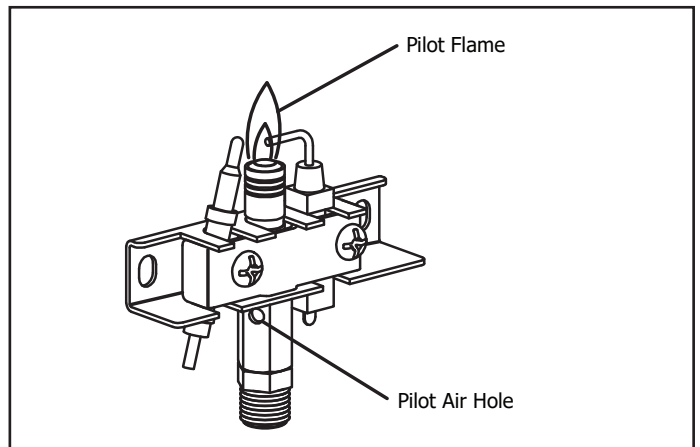


Fig. 5 - Pilot Assembly

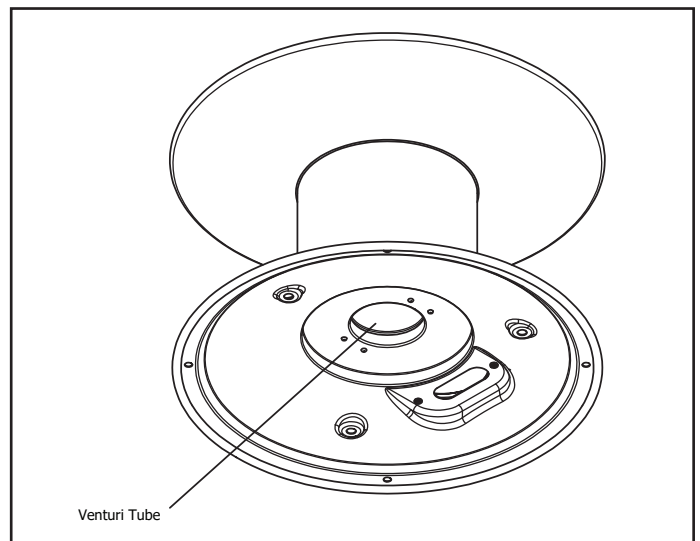


Fig. 6 - Burner Assembly

NEVER LEAVE THE HEATER UNATTENDED WHILE BURNING!

TROUBLESHOOTING

⚠ WARNING: If you smell gas:

- Shut off gas supply.
- Do not try to light any appliance.
- Do not touch any electrical switch; do not use any phone in your building.
- Immediately call your gas supplier from a neighbor's phone. Follow the gas supplier's instructions.
- If you cannot reach your gas supplier, call the fire department.

IMPORTANT: Operating heater where impurities in air exist may create odors. Cleaning supplies, paint, paint remover, cigarette smoke, cements and glues, new carpet or textiles, etc., create fumes. These fumes may mix with combustion air and create odors.

⚠ WARNING: Turn off and let cool before servicing. Only a qualified service person should service and repair heater.

⚠ CAUTION: Never use a wire, needle, or similar object to clean ODS/pilot. This can damage ODS/ pilot unit.

TROUBLESHOOTING

PROBLEM	POSSIBLE CAUSE	CORRECTIVE ACTION
When ignitor knob is turned, there is no spark at ODS/pilot.	<ol style="list-style-type: none"> 1. Ignitor electrode is positioned wrong. 2. Ignitor electrode is broken. 3. Ignitor electrode is not connected to ignitor cable. 4. Ignitor cable is pinched or wet. 5. Damaged ignitor cable. 	<ol style="list-style-type: none"> 1. Replace electrode. 2. Replace electrode. 3. Replace ignitor cable 4. Free ignitor cable if pinched by any metal or tubing. Keep ignitor cable dry. 5. Replace ignitor cable.
When ignitor knob is turned, there is a spark at ODS/ pilot but no ignition.	<ol style="list-style-type: none"> 1. Tank shutoff valve is closed. 2. Control knob not fully pressed in while pressing ignitor button. 3. Air in gas lines when installed. 4. ODS / pilot is clogged. 5. Control knob not in PILOT position. 6. Depleted gas supply (propane) 	<ol style="list-style-type: none"> 1. Turn on gas supply valve. 2. Fully press in control knob while pressing ignitor button. 3. Continue holding down control knob. Repeat igniting operation until air is removed. 4. Clean ODS/pilot (see Care and Maintenance, page 8) or replace ODS/pilot assembly. 5. Turn control knob to PILOT position. 6. Purchase new tank or refill 20 lb tank.
ODS/pilot lights but flame goes out when control knob is released.	<ol style="list-style-type: none"> 1. Control knob is not fully pressed in. 2. Control knob is not pressed in long enough. 3. Equipment shutoff valve is not fully open. 4. Thermocouple connection is loose. 5. Thermocouple damaged. 6. Control valve damaged. 	<ol style="list-style-type: none"> 1. Press in control knob fully. 2. After ODS/pilot lights, keep control knob pressed in 30 seconds. 3. Fully open equipment shutoff valve. 4. Hand tighten until snug, and then tighten ¼ turn more. 5. Replace thermocouple. 6. Contact customer service.
Burner(s) does not light after ODS/pilot is lit.	<ol style="list-style-type: none"> 1. Burner orifice is clogged. 2. Burner orifice diameter is too small. 3. Inlet gas pressure is too low. 	<ol style="list-style-type: none"> 1. Clean burner orifice (see Care and Maintenance, page 8) or contact customer service. 2. Contact customer service. 3. Change tanks.

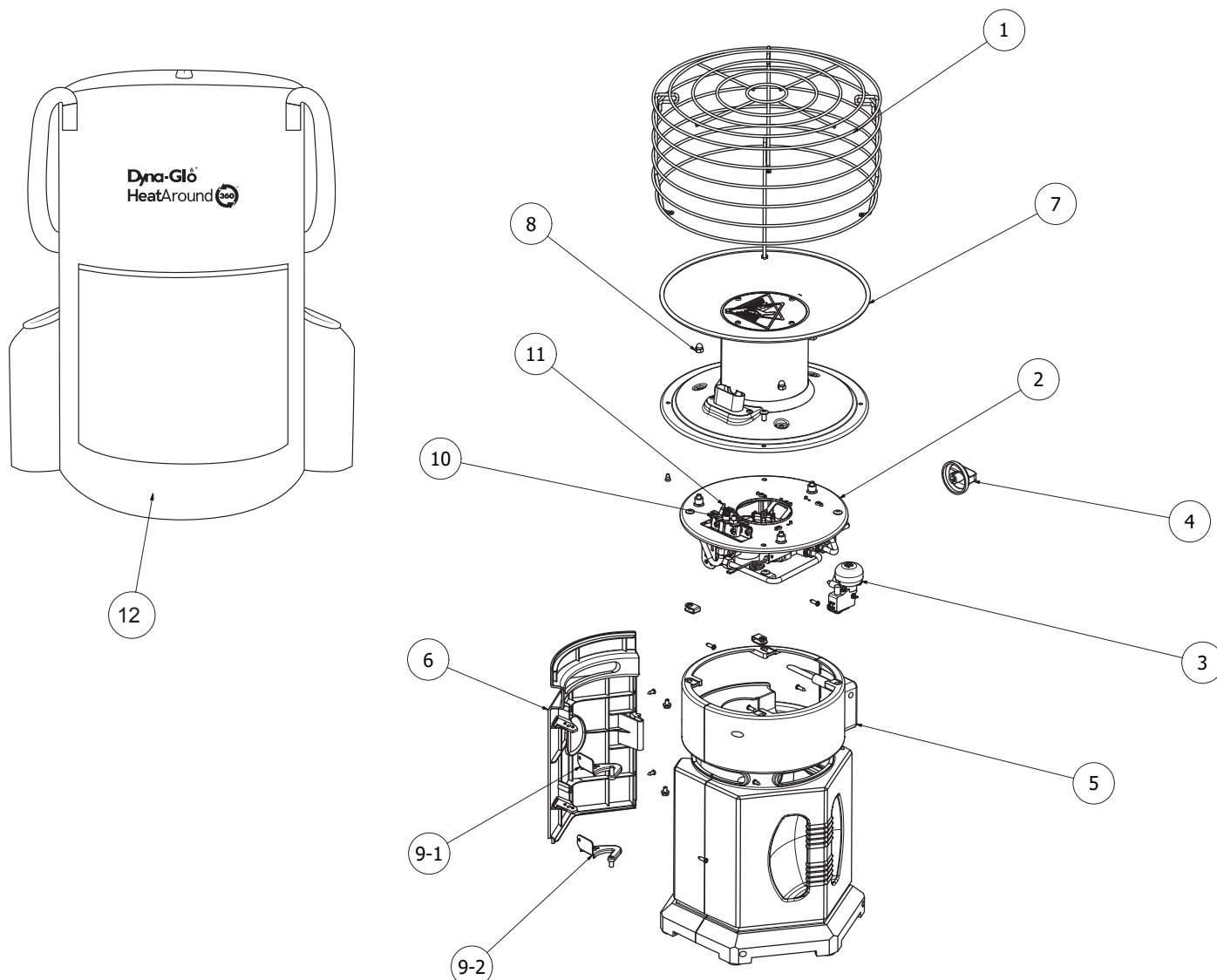
NEVER LEAVE THE HEATER UNATTENDED WHILE BURNING!

TROUBLESHOOTING

PROBLEM	POSSIBLE CAUSE	CORRECTIVE ACTION
Burner backfiring during combustion.	<ol style="list-style-type: none"> 1. Burner orifice is clogged or damaged. 2. Burner is damaged. 3. Gas regulator is damaged. 	<ol style="list-style-type: none"> 1. Clean burner orifice (see Care and Maintenance, page 8 or contact customer service. 2. Contact dealer or customer service. 3. Replace gas regulator.
High yellow flame during burner combustion	<ol style="list-style-type: none"> 1. Not enough air. 2. Gas regulator is defective. 3. Outside temperature is too low. 	<ol style="list-style-type: none"> 1. Check burner for dirt and debris. If found, clean burner (see Care and Maintenance, page 8). 2. Replace gas regulator. 3. Buy new tank or refill 20lb tank.
Gas odor during combustion.	<ol style="list-style-type: none"> 1. Foreign matter between control valve and burner. 2. Gas leak. (See Warning Statement on page 2). 	<ol style="list-style-type: none"> 1. Take apart gas tubing and remove foreign matter. 2. Locate and correct all leaks.
Heater produces a clicking/ticking noise just after burner is lit or shut off.	<ol style="list-style-type: none"> 1. Metal is expanding while heating or contracting while cooling. 	<ol style="list-style-type: none"> 1. This is common with most heaters. If noise is excessive, contact qualified service technician.
Heater shuts off in use (ODS operates).	<ol style="list-style-type: none"> 1. Not enough fresh air is available. 2. Low line pressure. 3. ODS/pilot is partially clogged. 	<ol style="list-style-type: none"> 1. Open window and/or door for ventilation. 2. Contact local gas supplier. 3. Clean ODS/pilot (see Care and Maintenance, page 8).
Gas odor exists even when control knob is in OFF position.	<ol style="list-style-type: none"> 1. Gas leak. See Warning Statement on page 2. 2. Control valve is defective. 	<ol style="list-style-type: none"> 1. Locate and correct all leaks (see "Checking Gas Connections" page 4). 2. Contact customer service.
Moisture/condensation noticed on windows.	<ol style="list-style-type: none"> 1. Not enough combustion/ventilation air. 	<ol style="list-style-type: none"> 1. Refer to "Air for Combustion and Ventilation" requirements, page 4.
Slight smoke or odor during initial operation	<ol style="list-style-type: none"> 1. Residues from manufacturing process. 	<ol style="list-style-type: none"> 1. Problem will stop after a few hours of operation.

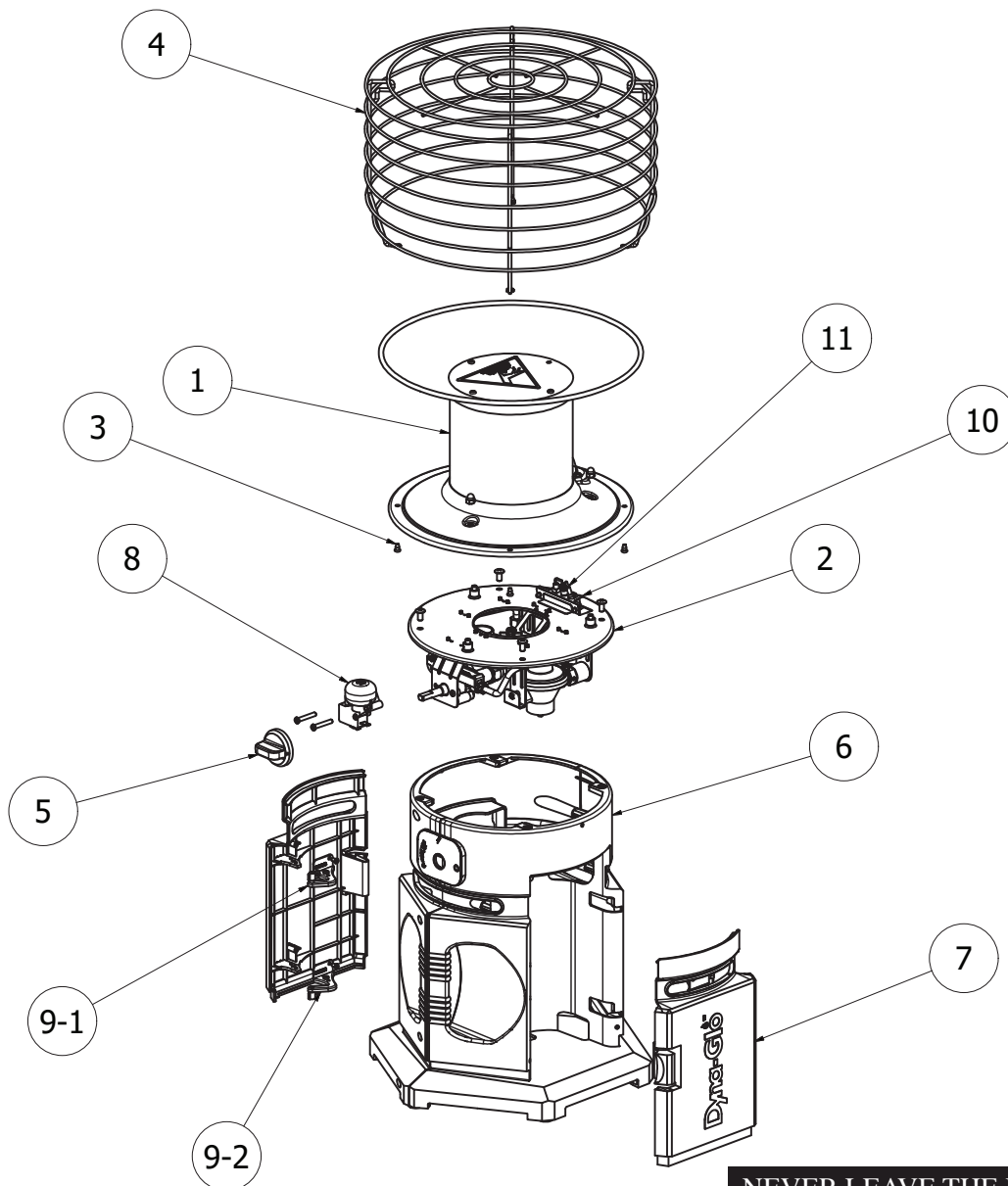
NEVER LEAVE THE HEATER UNATTENDED WHILE BURNING!

PARTS LIST					
ITEM	QTY	HA1360RH	HA1360R	HA1360BK	DESCRIPTION
1	1	HA1360-04	HA1360-04	HA1360-04	Wire Guard
2	1	HA1360-GTA	HA1360-GTA	HA1360-GTA	Gas Train Assembly
3	1	TT15C-07	TT15C-07	TT15C-07	Tip Switch
4	1	HA360-23	HA360-23	HA360-23	Control Knob
5	1	HA1360-PBA-RD	HA1360-PBA-RD	HA1360-PBA-B	Plastic Base Assembly
6	1	HA1360-15-RD	HA1360-15-RD	HA1360-15-B	Access Door
7	1	HA1360-01	HA1360-01	HA1360-10	Burner Assembly
8	N/A	HA360-HK	HA360-HK	HA360-HK	Hardware Kit (Includes all hardware to assemble unit)
9-1	1	HA1360-21	HA1360-21	HA1360-21	Hinge Assembly, upper
9-2	1	HA1360-22	HA1360-22	HA1360-22	Hinge Assembly, lower
10	1	HA1360-08	HA1360-08	HA1360-08	LP ODS Pilot Assy.
11	1	HA360-08-01	HA360-08-01	HA360-08-01	Thermocouple
12	1	HAC360-1	N/A	N/A	Carrying Case



NEVER LEAVE THE HEATER UNATTENDED WHILE BURNING!

PARTS LIST				
ITEM	QTY	HA2360R	HA2360BK	DESCRIPTION
1	1	HA2360-01	HA2360-01	Burner Assembly
2	1	HA2360-GTA	HA2360-GTA	Gas Train Assembly
3	N/A	HA360-HK	HA360-HK	Hardware Kit
4	1	HA2360-04	HA2360-04	Wire Guard
5	1	HA360-23	HA360-23	Control Knob
6	1	HA2360-PBA-RD	HA2360-PBA-B	Plastic Base Assembly
7	2	HA2360-15-RD	HA2360-15-B	Door
8	1	TT15C-07	TT15C-07	Tip Switch
9-1	2	HA2360-21	HA2360-21	Door Hinge, Upper
9-2	2	HA2360-22	HA2360-22	Door Hinge, Lower
10	1	HA2360-08	HA2360-08	LP ODS Pilot Assy.
11	1	HA360-08-01	HA360-08-01	Thermocouple



NEVER LEAVE THE HEATER UNATTENDED WHILE BURNING!

WARRANTY

LIMITED WARRANTY:

This limited warranty is extended to the original retail purchaser of this Forced Air/Convection/Radiant Heater and warrants against any defect in materials and workmanship for a period of one (1) year from the date of retail sale (lifetime warranty for the brass nozzle burner only). GHP Group, Inc., at it's option, will either provide replacement parts or replace or repair the unit, when properly returned to the retailer where purchased or one of our service centers as directed by GHP Group, Inc., within one (1) year of retail purchase. (Shipping costs, labour costs, etc. are the responsibility of the purchaser.)

DUTIES OF THE OWNER:

This heating appliance must be operated in accordance with the written instructions furnished with this heater. This warranty shall not excuse the owner from properly maintaining this heater in accordance with the written instructions furnished with this heater. A bill of sale, canceled check or payment record must be kept to verify purchase date and establish warranty period. Original carton should be kept in case of warranty return of unit.

WHAT IS NOT COVERED:

1. Damage resulting from use of improper fuel.
2. Damage caused by misuse or use contrary to the owners manual and safety guidelines.
3. Damage caused by a lack of normal maintenance.
4. Fuses
5. Use of non-standard parts or accessories.
6. Damage caused in transit. Freight charges on warranty parts or heaters to and from the factory shall be the responsibility of the owner.

This warranty does not imply or assume any responsibility for consequential damages that may result from the use, misuse, or the lack of routine maintenance of this heating appliance. A cleaning fee and the cost of parts may be charged for appliance failures resulting from lack of maintenance. This warranty does not cover claims which do not involve defective workmanship or materials. **FAILURE TO PERFORM GENERAL MAINTENANCE (INCLUDING CLEANING) WILL VOID THIS WARRANTY.**

THIS LIMITED WARRANTY IS GIVEN TO THE PURCHASER IN LIEU OF ALL OTHER WARRANTIES, EXPRESSED OR IMPLIED, INCLUDING BUT NOT LIMITED TO THE WARRANTIES OF MERCHANTABILITY OF FITNESS FOR A PARTICULAR PURPOSE. THE REMEDY PROVIDED IN THIS WARRANTY IS EXCLUSIVE AND IS GRANTED IN LIEU OF ALL OTHER REMEDIES. IN NO EVENT WILL GHP GROUP, INC. BE LIABLE FOR INCIDENTAL OR CONSEQUENTIAL DAMAGES.

Some states do not allow limitations on how long an implied warranty lasts, so the above limitation may not apply to you. Some states do not allow the exclusion or limitation of incidental or consequential damages so the above limitation or exclusion may not apply to you.

CLAIMS HANDLED AS FOLLOWS:

1. Contact your retailer and explain the problem.
2. If the retailer is unable to resolve the problem, contact our Customer Service Dept. detailing the heater model, the problem, and proof of date of purchase.
3. A representative will contact you. DO NOT RETURN THE HEATER TO GHP GROUP, INC. unless instructed by our Representative. This warranty gives you specific legal rights and you may also have other rights which vary from state to state.

TO REGISTER THE WARRANTY ON YOUR HEATER, PLEASE FILL OUT THIS CARD COMPLETELY AND MAIL WITHIN 14 DAYS FROM DATE OF PURCHASE OR REGISTER ON-LINE AT www.ghpgroupinc.com

NAME: _____ PHONE: () _____ EMAIL: _____
ADDRESS: _____ CITY: _____ STATE: _____ ZIP: _____
MODEL: _____ SERIAL #: _____ DATE PURCHASED: _____
DEALER PURCHASED FROM: _____ TYPE OF STORE: _____
CITY & STATE WHERE PURCHASED: _____ PRICE PAID: _____

Please Take a Minute To Give Us Your Answers To The Following Questions.

All Responses Are Used Solely For Market Research And Are Held In Strict Confidence.

Who primarily decided this purchase? Male Female 18-24 25-39 40-59 60 and over

Purpose of Purchase? _____

Do you own any other portable heaters? Yes No If yes, type _____ brand _____

How do you intend to use your new heater? Construction Site Farm Warehouse/Commercial Garage/Outbuilding Other

How did you become aware of this heater? In-Store Display Newspaper Ad Magazine Ad Friend/Relative

TV Commercial Store Salesperson Other _____

What made you select this heater? Style Size/Portability Price Package Brand Other _____

Do you: own rent Would you recommend this heater to a friend? Yes No

Please give us your comments: _____

THANK YOU FOR COMPLETING THIS FORM!

Information will be held confidential.

WARRANTY REGISTRATION

IMPORTANT: We urge you to fill out your warranty registration card within fourteen (14) days of date of purchase. You can also register your warranty on the internet at www.ghpgroupinc.com. Complete the entire serial number. Retain this portion of the card for your records.



GHP Group, Inc.
6440 W Howard St
Niles, IL 60714-3302

Tel: (877) 447-4768
www.ghpgroupinc.com

SAVE THIS CARD!

Place
Postage
Stamp
Here

GHP Group, Inc.
6440 W Howard St
Niles, IL 60714-3302

MANUAL DEL USUARIO E INSTRUCCIONES DE FUNCIONAMIENTO



Para manual



Para registro
del producto

N.º de modelo

HA1360RH
HA1360R
HA1360BK
HA2360R
HA2360BK

LEA ATENTAMENTE LAS INSTRUCCIONES:

Lea y respete todas las instrucciones. Guarde las instrucciones en un lugar seguro para consultarlas en el futuro. No permita que nadie ensamble, encienda, ajuste ni utilice el calefactor sin leer estas instrucciones.

CALEFACTOR PORTÁTIL A PROPANO PARA USO EN INTERIORES, RECREATIVO, COMERCIAL Y DE EMERGENCIA

PARA VENTA EN EE. UU. EXCEPTO EN MASSACHUSETTS

Patente en trámite



ADVERTENCIA: Si la información de este manual no se respeta con exactitud, se podría ocasionar una descarga eléctrica o un incendio, lo que podría provocar daños materiales y lesiones personales, incluso la muerte.

- No guarde ni utilice gasolina u otros vapores y líquidos inflamables cerca de este artefacto ni de ningún otro.
- Cuando los cilindros de gas propano líquido no estén conectados, no deben quedar guardados cerca de este artefacto ni de ningún otro.
- **QUÉ HACER SI SIENTE OLOR A GAS**
 - No intente encender el artefacto.
 - Apague toda llama abierta.
 - Cierre la conexión de gas que va al artefacto.
- Las reparaciones deben ser realizadas por una agencia de servicio calificada.



CERTIFICACIÓN CSA 4.98 DE EE. UU.,
CALEFACTORES PORTÁTILES A GAS
PARA USO COMERCIAL Y RECREATIVO

Este es un calefactor portátil a gas sin salida al exterior. Utiliza el aire (oxígeno) del área en que se utiliza.

Se debe proporcionar cantidad adecuada de aire de combustión y ventilación. Consulte la página 18.

CONSUMIDOR: conserve este manual para consultarlo cuando sea necesario.

¿Dudas, problemas, piezas faltantes? Antes de volver a la tienda, llame a nuestro departamento de servicio al cliente al 877-447-4768 de lunes a viernes de 8:30 a 16:30 (hora central estándar) o escriba a customerservice@ghpgroupinc.com
www.ghpgroupinc.com

CONTENIDO

Información sobre reparación/solicitud de piezas	15
Instrucciones generales sobre seguridad	16
Información general	17
Instrucciones de instalación del tanque	19
Funcionamiento con cilindros de gas propano desechables	19
Funcionamiento con manguera conectada a cilindro remoto.	19
Instrucciones de funcionamiento del encendido	20
Mantenimiento	22
Solución de problemas	23
Lista de piezas	25
Garantía.....	27

ADVERTENCIA:

Cada vez que se conecta la manguera o el tanque a la unidad, se debe verificar que la conexión no tenga fugas. Para esto: Aplique agua jabonosa en la conexión, observe si hay burbujas, escuche si hay un silbido de escape de gas, palpe para comprobar si está muy frío y verifique que no haya olor a huevo podrido. ¡No utilice el artefacto si hay fugas!

ADVERTENCIA:

Realizar cambios en el calefactor o en sus controles puede ser peligroso.

ADVERTENCIA:

Los signos tempranos de intoxicación por monóxido de carbono se asemejan a los de la gripe, con dolores de cabeza, mareos y/o náuseas. Si presenta estos signos, es posible que el calefactor no esté funcionando correctamente. ¡Tome aire fresco inmediatamente! Haga reparar el calefactor.

ADVERTENCIA:

Algunas personas —embarazadas, personas con enfermedades cardíacas o pulmonares, anémicas, las que están bajo los efectos del alcohol o las que están a alturas elevadas— se ven más afectadas por el monóxido de carbono que otras.

ADVERTENCIA:

Si se trata de un espacio cerrado recreativo o comercial sin ventana ni ventilación en el techo que esté abierta, **NO UTILICE ESTE CALEFACTOR** en el interior.

ADVERTENCIA:

Los derivados de la combustión que se generan por el uso de este producto contienen monóxido de carbono, una sustancia química que, según el estado de California, puede provocar cáncer o anomalías congénitas (u otros daños reproductivos).

AVISO: No se puede utilizar en una "casa habitación" en California.

PROPOSICION 65 DE CALIFORNIA: Los combustibles utilizados en los artefactos de combustión de gas o petróleo y los productos de combustión de tales combustibles, contienen sustancias químicas conocidas en el Estado de California como causantes de cáncer, defectos congénitos y otros daños del sistema reproductor. Este producto contiene sustancias químicas, incluyendo plomo y compuestos de plomo, conocidos en el Estado de California como causantes de cáncer, defectos congénitos y otros daños del sistema reproductor. **Lávese las manos después de su manipulación.**

**NUNCA DEJE DESATENDIDO EL CALEFACTOR
MIENTRAS ESTÁ ENCENDIDO.**

INFORMACIÓN GENERAL:

- Este calefactor es seguro para ser utilizado en el interior de espacios cerrados pequeños de uso recreativo que tengan medios para proporcionar aire de combustión y ventilación, como galerías cerradas, cabinas, cabañas de pescadores, remolques, tienda-remolques, tiendas de campaña, capotas de camionetas y furgonetas. Se puede utilizar como calefacción de emergencia para interiores si se conecta a un cilindro de gas propano de 1 lb desechable y también en espacios cerrados comerciales que tengan medios para proporcionar aire de combustión y ventilación, como casillas de obrador o compartimentos para trabajos temporarios.
- Cuando el calefactor está frío o a temperatura ambiente, demorará unos minutos para que el quemador se torne de color naranja brillante. Esto es normal y significa que el calefactor está funcionando correctamente. Además, durante el procedimiento de encendido inicial, el aceite utilizado en el proceso de fabricación debe quemarse. Observará un quemado continuo que puede llevar hasta 60 minutos, y tal vez perciba cierto olor y observe llamas de color amarillo. Esto disminuirá una vez finalizado el quemado del aceite.
- Después de unas horas de funcionamiento, la placa superior del quemador se descolorará debido al calor del funcionamiento normal. Esto es normal y no afecta al funcionamiento seguro de la unidad.
- No se recomienda el uso del calefactor cuando hay mucho viento. Se pueden agitar las llamas del calentador, lo que reduce la eficacia del artefacto y podría ocasionar excesivos apagados del piloto.
- Cuando la unidad esté encendida, habrá un borde de aproximadamente un cuarto de pulgada que no se tornará de color naranja brillante. Esto es normal.
- Cuando el calefactor funciona a alturas superiores a los 7000 pies sobre el nivel del mar, es posible que la unidad no queme con tanta intensidad como en alturas inferiores. Esto es normal. A alturas más elevadas, el calefactor podría apagarse. Si esto sucede, procure que haya aire fresco, espere 5 minutos y vuelva a encenderlo. Debido a las condiciones atmosféricas locales, es posible que el calefactor no se vuelva a encender.
- Si mueve el calefactor cuando está encendido o si, al colocarlo en el suelo, lo golpea, es posible que el interruptor de vuelco haga que se apague el calefactor. Si esto sucede, vuelva a encenderlo.
- El tiempo de funcionamiento variará según el lugar y el tamaño del cilindro. Consulte el gráfico y la sección "Funcionamiento en clima frío".
- **NOTA: ESTE CALEFACTOR PUEDE FUNCIONAR CON (1) O (2) CILINDROS DE GAS PROPANO DESECHABLES DE 1 LB O CON (1) CILINDRO DE GAS PROPANO RECARGABLE REMOTO DE 20 LB COMO MÁXIMO UTILIZANDO (1) manguera de extensión de 12' Dyna-Glo modelo n.º HAKITDG y (1) filtro de combustible Dyna-Glo modelo n.º HAKITDG (se venden por separado)**

FUNCIONAMIENTO EN CLIMA FRÍO:

- Por lo general, el clima frío se define como temperaturas ambiente inferiores a 32 °F.
- Los cilindros de gas propano de 1 lb tienen dificultad para producir suficiente gas a bajas temperaturas y se pueden congelar, lo que reduce el tiempo de funcionamiento entre un 50 % y un 70 %. Por esta razón, se recomienda utilizar únicamente tanques de gas propano de 20 lb bajo estas condiciones.
- Si se utiliza un tanque de 1 lb en climas fríos, por ejemplo, en una cabaña para pescadores escarchada, tenga en cuenta las siguientes sugerencias:
 1. Los tiempos de funcionamiento se reducirán considerablemente.
 2. Nunca utilice un solo tanque de 1 lb en la unidad Heat Around Elite, modelo HA2360.
 3. Nunca coloque el calefactor directamente sobre el hielo. Coloque el calefactor sobre una pieza de material aislante rígido resistente a las llamas y asegúrese de que las ranuras de ventilación de la parte inferior del calefactor no estén obstruidas.
 4. Levante ligeramente el calefactor sobre el nivel del suelo. Asegúrese de que la unidad esté nivelada y firme y no se pueda volcar.
 5. Mantenga abierta la puerta de acceso del tanque. Esto proporciona calor adicional para calentar el cilindro de 1 lb.
 6. Se debe proporcionar cantidad adecuada de aire de ventilación y combustión.
 7. Mantenga todas las distancias según se especifican en la página 18.

ADVERTENCIA:

Observe cuidadosamente el calefactor para verificar que no haya signos de congelamiento del cilindro de 1 lb. Si la parte inferior del quemador comienza a tornarse de naranja a azul y comienza a chisporrotear, apague inmediatamente el calefactor y retirelo del espacio cerrado.

NUNCA DEJE DESATENDIDO EL CALEFACTOR MIENTRAS ESTÁ ENCENDIDO.

ESPECIFICACIONES

N.º DE MODELO .HA1360RH / HA1360R / HA1360BK / HA2360R / HA2360BK
TIPO DE GAS PROPANO
ENTRADA BTU/H Serie HA1360 - 7500 - 10 000
Serie HA2360 - 13 500 - 18 000
PRESIÓN MÁX. DE SUMINISTRO PRESIÓN DEL TUBO
DISTANCIA A COMBUSTIBLES (DESDE EL BORDE DE PROTECCIÓN)
SUPERIOR17 pulgadas
FRONTAL15 pulgadas
LATERALES15 pulgadas
TRASERA15 pulgadas

PRECAUCIÓN:

- Las superficies de linóleo se pueden decolorar si el calefactor se coloca directamente sobre el revestimiento.
- Cuando el calefactor funciona a alturas superiores a los 7000 pies sobre el nivel del mar, es posible que se apague. (Lea la INFORMACIÓN GENERAL).

Tamaño del cilindro	Tiempo de funcionamiento	
	HeatAround360	HeatAround 360 Elite
Un cilindro de 1 lb	2.7 h (alto) - 3.2 h (bajo)	NO RECOMENDADO
Dos cilindros de 1 lb	N/A	3 h (alto) - 3.5 h (bajo)
Un cilindro de 20 lb	45 h (alto) - 58 h (bajo)	25 h (alto) - 32 h (bajo)

INSTRUCCIONES GENERALES SOBRE SEGURIDAD

ESTE ES UN ARTEFACTO DE CALEFACCIÓN. NO PONGA EN FUNCIONAMIENTO ESTE ARTEFACTO SI LA REJILLA DE PROTECCIÓN NO ESTÁ INSTALADA. NO INTENTE CALENTAR NI COCINAR ALIMENTOS SOBRE ESTE CALEFACTOR.

- No utilice accesorios no aprobados en este calefactor.
- **Debido a las altas temperaturas, el artefacto se debe colocar fuera del tráfico y apartado de materiales combustibles.**
- **Tanto los niños como los adultos deben estar al tanto de los peligros de las altas temperaturas y mantenerse alejados para evitar quemaduras o riesgo de que se les prenda fuego la ropa.**
- **Cuando haya niños cerca del lugar donde se encuentra el artefacto, se los deberá supervisar atentamente.**
- **Nunca coloque ropa u otro material inflamable sobre el artefacto o cerca de este.**
- No ponga en funcionamiento el calefactor sobre un vehículo en movimiento.
- Este calefactor también se puede utilizar en un espacio cerrado de uso recreativo o comercial que tenga una ventana o una ventilación en el techo. También se puede utilizar en exteriores.
- Este calefactor requiere un área de ventilación mínima de 18 pulgadas cuadradas (por ejemplo, una abertura de 4 1/4" x 4 1/4") para que la ventilación sea adecuada durante el funcionamiento. No utilice otros artefactos que queman combustible en el interior.
- LA PRESIÓN DE GAS DEL CALEFACTOR SE REGULA Y SE FIJA EN 11" DE COLUMNA DE AGUA. AL UTILIZAR UNA CONEXIÓN DE MANGUERA REMOTA A LOS REGULADORES DEL CALEFACTOR, NO REGULE NI REDUZCA LA PRESIÓN DE SUMINISTRO DEL TANQUE DE GAS PROPANO AL CALEFACTOR.
- LOS REGULADORES DEL CALEFACTOR SIEMPRE DEBEN ESTAR EN SU LUGAR DURANTE EL FUNCIONAMIENTO.
- **Antes de poner en funcionamiento el calefactor, vuelva a colocar todas las protecciones o pantallas de seguridad que hayan sido retiradas para realizar la reparación del artefacto.**
- **El artefacto debe ser inspeccionado antes de cada uso. Posiblemente se requiera una limpieza frecuente. Los compartimentos de control, los quemadores y los conductos de aire circulante deben mantenerse limpios; consulte la sección MANTENIMIENTO.**
- NO utilice este calefactor si se ha mojado alguna de las piezas. Llame inmediatamente a un técnico calificado para que inspeccione el calefactor y reemplace las piezas del sistema de control y los controles de gas que se hayan mojado.
- Si se lo utiliza sin un flujo adecuado de aire de combustión y ventilación, el calefactor puede emitir una cantidad excesiva de MONÓXIDO DE CARBONO, un gas tóxico que no produce olor.
- Algunas personas —embarazadas, personas con enfermedades cardíacas o pulmonares, anémicas, las que están bajo los efectos del alcohol o las que están a alturas elevadas— se ven más afectadas por el monóxido de carbono que otras.
- Los cilindros se deben desconectar cuando el calefactor está fuera de uso.
- Cuando el calefactor se coloque sobre el suelo, asegúrese de que el suelo esté nivelado y mantenga cualquier objeto a una distancia mínima de 15" desde el borde del calefactor. ESTE CALEFACTOR ESTÁ EQUIPADO CON UN INTERRUPTOR DE VUELCO QUE APAGA EL ARTEFACTO SI SE VUELCA. NO OBSTANTE, NUNCA DEJE EL CALEFACTOR DESATENDIDO O EN UN LUGAR DONDE LOS NIÑOS PUEDAN VOLCARLO. ¡NUNCA DEJE EN FUNCIONAMIENTO EL CALEFACTOR MIENTRAS DUERME!
- Mantenga los cilindros recargables remotos de 20 lb. por lo menos a 6 pies del calentador en todo momento.

NUNCA DEJE DESATENDIDO EL CALEFACTOR MIENTRAS ESTÁ ENCENDIDO.

INSTRUCCIONES DE INSTALACIÓN DEL TANQUE

Instalación del tanque para cilindros de gas propano de 1 lb con certificación del Departamento de Transporte (DOT) (Fig. 1)

- Abra las puertas de fácil acceso del compartimento del tanque.
- Localice el regulador y gírelo hacia arriba con la mano de manera que tenga mejor acceso para el cilindro.
- Conecte los cilindros en el montaje giratorio girando suavemente en sentido de las agujas del reloj hasta que quede ajustado. No ajuste demasiado. No utilice herramientas para ajustar.
- Coloque una solución de agua con 50 % de jabón en la junta entre el regulador y el cilindro para detectar fugas de gas.

Instalación del tanque para cilindros de gas propano de 20 lb (Fig. 1a)

- Abra las puertas de fácil acceso del compartimento del tanque.
- Localice el regulador y gírelo hacia arriba con la mano de manera que tenga mejor acceso para el adaptador del extremo de la manguera.
- Conecte el filtro de combustible modelo HAKITDG en el montaje giratorio girando suavemente en sentido de las agujas del reloj hasta que quede ajustado. No lo ajuste demasiado. No utilice herramientas para ajustar.
- Conecte el adaptador del extremo de la manguera GHP (n.º HAKITDG) al filtro de combustible girando suavemente en sentido de las agujas del reloj hasta que quede ajustado. No ajuste demasiado. No utilice herramientas para ajustar.
- Coloque una solución de agua con 50 % de jabón en la junta entre el regulador y el adaptador del extremo de la manguera para detectar fugas de gas.

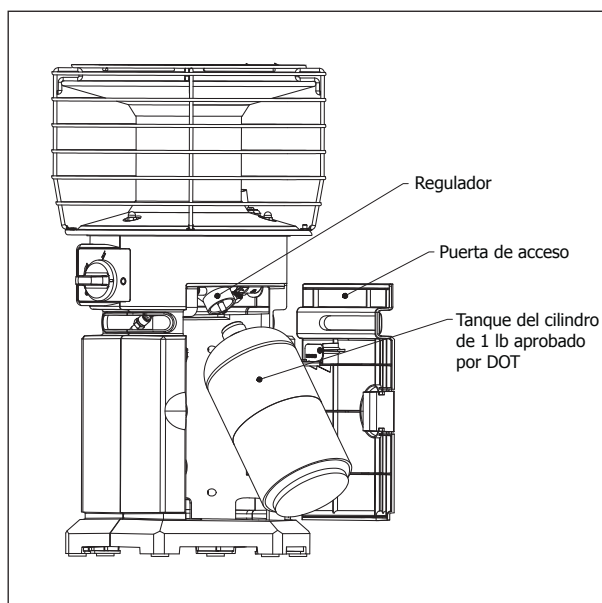


Fig. 1 - Instalación del tanque del cilindro de 1 lb

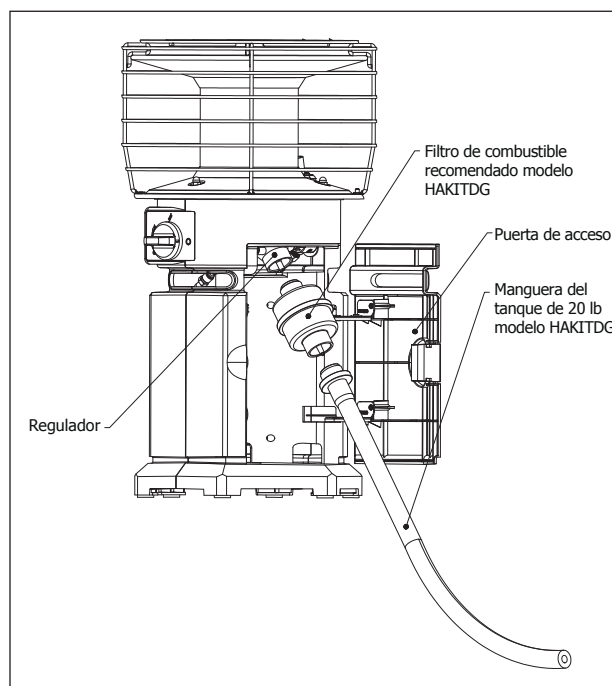


Fig. 1a - Instalación del tanque remoto

PARA USO EN INTERIORES Y DE EMERGENCIA

- Cuando el artefacto está en uso, se debe proporcionar cantidad adecuada de aire de combustión y ventilación. Para obtener más información, consulte las Instrucciones generales sobre seguridad en la página 18.
- En este calefactor solo se pueden utilizar cilindros de 1 lb. marcados con la leyenda PROPANO.
- NUNCA use un cilindro de gas propano recargable en lugares cerrados. Podría producirse un incendio o una explosión, con daños materiales y lesiones graves o mortales.

NUNCA DEJE DESATENDIDO EL CALEFACTOR MIENTRAS ESTÁ ENCENDIDO.

INSTRUCCIONES DE ENCENDIDO, FUNCIONAMIENTO Y APAGADO

1. Asegúrese de que la perilla de control esté en la posición de APAGADO "O".
2. Abra la puerta de acceso e instale la fuente de combustible propano:
 - a. Instale un cilindro de gas propano de 1 lb con certificación del Departamento de Transporte (DOT).
 - b. Instale el conector de manguera GHP modelo n.º HAKITDG. Coloque una solución de agua con 50 % de jabón en la junta entre el regulador y el cilindro para detectar fugas de gas.
3. Presione la perilla de control y gírela en sentido contrario a las agujas del reloj hasta la posición PILOTO "🔥". El dispositivo de encendido producirá una chispa cada vez que se realice este paso. Repita el procedimiento hasta que se encienda la llama piloto.
4. Mantenga presionada la perilla en la posición PILOTO durante **30 segundos o hasta asegurarse de que la llama piloto permanece encendida.**
5. Suelte la perilla. Esta debería regresar a la posición completamente extendida y el piloto debería permanecer encendido.
6. Encienda el quemador presionando levemente la perilla y girándola con suavidad hasta colocarla en la posición ALTO "🔥".
7. Regule la salida de calor girando la perilla entre la posición ALTO y BAJO "🔥".
8. Para apagar el calefactor, gire la perilla en sentido de las agujas del reloj hasta la posición de APAGADO, retire el cilindro de gas o cierre la válvula del tanque de gas propano para que el calefactor pueda quemar el gas en la manguera y luego gire la perilla del calefactor hasta la posición APAGADO.

⚠️ PRECAUCIÓN

No intente regular la temperatura con la válvula de paso del tanque de gas propano. Una vez que se apague el calefactor, la protección seguirá estando caliente. Deje que el calefactor se enfríe antes de guardarlo. No utilice, guarde, conecte ni retire la conexión de la manguera/cilindro cerca de elementos inflamables o fuentes de ignición.

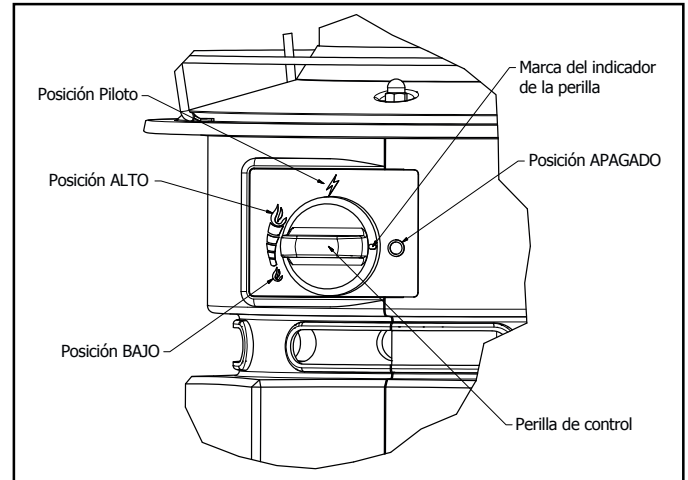


Fig. 2 - Instrucciones de encendido

INSTRUCCIONES DE ENCENDIDO/ FUNCIONAMIENTO CON MANGUERAS CONECTADAS A UN CILINDRO REMOTO, TAMAÑO MÁXIMO DE 20 LB

- Este calefactor se puede utilizar, en un espacio cerrado de uso recreativo o en un espacio cerrado destinado al trabajo temporario de constructores, con un cilindro de gas propano recargable remoto ÚNICAMENTE cuando el cilindro se encuentra en el exterior y el calefactor se utiliza con una manguera GHP n.º HAKITDG.
- La manguera de GHP n.º HAKITDG incluye un conector de tanque que se ajusta con la mano y un accesorio conector de manguera n.º 600.
- ⚠️ **ADVERTENCIA:** NUNCA use un cilindro de gas propano recargable en lugares cerrados. Podría producirse un incendio o una explosión, con daños materiales y lesiones graves o mortales.
- Inspeccione la manguera antes de cada uso. Si hay demasiada abrasión o está demasiado gastada, reemplácela antes de usar el calefactor con Dyna-Glo HAKITDG.
- El cilindro de gas propano debe incluir un dispositivo de protección contra sobrellenado registrado y un collarín para proteger la válvula del cilindro.
- El calefactor debe estar en posición vertical durante el funcionamiento.
- Atornille el conector de la manguera en el montaje giratorio del tanque del calefactor y atornille el extremo opuesto de la manguera en la válvula del tanque de gas propano líquido. Ajuste todas las conexiones de la manguera. NO utilice sellador de roscas en ninguna de estas conexiones.
- Abra la válvula del cilindro de suministro de gas propano líquido.
- Verifique todas las conexiones de la manguera para detectar fugas colocando agua jabonosa en la conexión roscada, donde el conector de la manguera se atornilla al regulador y al cilindro de suministro de gas propano líquido. LEA LAS ADVERTENCIAS DE LAS ETIQUETAS COLGANTES.

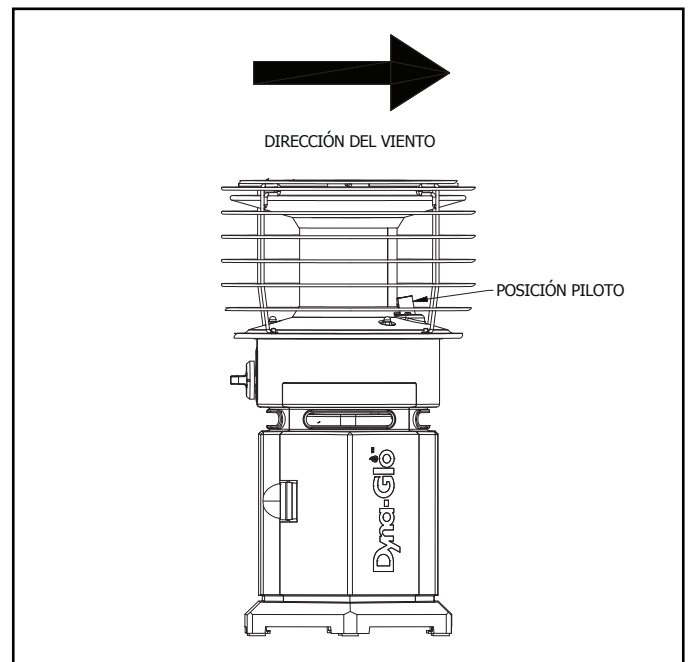


Fig. 3 - Encendido en áreas ventosas

ENCENDIDO EN ÁREAS VENTOSAS

1. Coloque el calefactor de manera que el piloto quede en dirección opuesta al viento.
2. Colóquese detrás del calefactor de manera que su cuerpo bloquee el viento y siga las instrucciones para encender la unidad.

NUNCA DEJE DESATENDIDO EL CALEFACTOR MIENTRAS ESTÁ ENCENDIDO.

AVISO IMPORTANTE

SOBRE EL USO DE ACCESORIOS DE TERCEROS EN TODOS LOS

MODELOS DYNA-GLO HEATAROUND360

GHP Group, Inc. es una importante empresa que se especializa en productos de calefacción portátiles. Nuestros productos se pueden encontrar en la mayoría de las principales tiendas de artículos para el hogar, ferreterías y comercios de venta minorista por Internet de Norteamérica. En 2016, GHP lanzó al mercado los calefactores portátiles HeatAround360 y HeatAround360 Elite. Estos calefactores, que se venden bajo la marca Dyna-Glo, incluyen un sensor de agotamiento de oxígeno (ODS), que apaga el calefactor si el oxígeno de la habitación disminuye a un cierto punto, y un interruptor de vuelco que apaga el calefactor cuando se vuelca. Estas características permiten que el calefactor se pueda utilizar de forma segura durante distintas actividades en interiores y al aire libre.

GHP reconoce que existen muchos accesorios de terceros para el calefactor HeatAround360 y que el objetivo de estos accesorios es utilizar el calefactor HeatAround360 para calentar o cocinar alimentos. GHP recomienda firmemente NO utilizar estos accesorios de terceros ya que no están certificados y no son seguros para calentar o cocinar alimentos de ningún tipo. Los calefactores HeatAround360 no están certificados como artefactos de cocina y no están diseñados para funcionar como tales. GHP prohíbe explícitamente el uso de cualquier tipo de accesorio no aprobado en sus calefactores HeatAround360.

ADVERTENCIA:




Este producto es un calefactor. Está certificado según la sección de requisitos internacionales CSA 4.98 de EE. UU.

"Calefactores portátiles a gas para uso recreativo o comercial". Este producto NUNCA se debe utilizar para cocinar o calentar alimentos, ya que esto puede interferir en los sistemas de seguridad del calefactor, lo que podría provocar un incendio, una explosión, la producción de monóxido de carbono mortal y lesiones personales o mortales a usted o a otras personas. NUNCA utilice accesorios ni dispositivos de terceros ni hechos a mano en este calefactor; es muy peligroso y podría ocasionar lesiones personales o mortales a usted o a otras personas.

INFORMACIÓN DE GARANTÍA

GHP Group, Inc. garantiza que sus calefactores y accesorios están libres de defectos en materiales y mano de obra durante un período de 1 año a partir de la fecha de compra. GHP Group, Inc. reparará o reemplazará este producto sin cargo si se prueba que el defecto se produjo dentro del período de 1 año y el cliente devuelve el producto a GHP Group, Inc. junto con el comprobante de compra dentro del período de garantía y asumiendo los costos de envío. DESCARGO DE RESPONSABILIDAD: Esta garantía no cubre ningún producto que: a) se haya sometido a uso indebido o negligencia; b) no se haya utilizado de acuerdo con las advertencias e instrucciones de este manual, incluido, entre otros, el uso del calefactor para cocinar o calentar alimentos o c) se lo haya utilizado con accesorios o dispositivos de terceros o hechos a mano.

GHP prohíbe que los calefactores HeatAround360 se utilicen para cocinar o calentar alimentos. El uso de accesorios de terceros diseñados para cambiar el funcionamiento del HeatAround360 está prohibido ya que podría causar daños graves a los usuarios. El uso de estos productos con los calefactores de GHP anulará instantáneamente la garantía. GHP valora la seguridad de los usuarios sobre todo lo demás y aprecia su confianza continua en todos los productos de GHP. Si tiene alguna pregunta, no dude en comunicarse con nosotros a customerservice@ghpgroupinc.com.

-  **PRECAUCIÓN:** Una vez que se apague el calefactor, la rejilla de protección seguirá estando caliente. Deje que se enfríe completamente antes de mover o guardar el calefactor.
-  **PRECAUCIÓN:** Cuando no esté en uso, se debe cerrar el gas en el cilindro de suministro de gas propano líquido. Como se indicó anteriormente, deje que el calefactor utilice todo el gas propano de la tubería de suministro hasta que el calefactor se apague. Cuando el cilindro de suministro de gas propano líquido no está conectado en el calefactor, el calefactor y el cilindro se deben guardar al aire libre, en un espacio bien ventilado, fuera del alcance de los niños, y no se debe guardar dentro de un edificio, garaje ni ningún otro lugar cerrado. Desconecte todos los cilindros cuando el calefactor no esté en uso.
-  **PRECAUCIÓN:** El calefactor se puede guardar en un espacio interior siempre que se haya desconectado y extraído el cilindro. Los cilindros se deben guardar al aire libre, fuera del alcance de los niños; no se deben guardar dentro de un edificio, garaje ni ningún otro lugar cerrado.

Los cilindros de 1 lb y 20 lb deben estar en posición vertical durante el uso para garantizar que el vapor se extraiga correctamente.

Los cilindros de 1 lb deben estar fabricados y aprobados por el Departamento de Transporte (DOT) y deben tener una conexión de salida compatible con el accesorio CGA 600.

**NUNCA DEJE DESATENDIDO EL CALEFACTOR
MIENTRAS ESTÁ ENCENDIDO.**

MANTENIMIENTO:

Siempre asegúrese de que no haya material combustible, gasolina ni otros vapores y líquidos inflamables en el lugar donde se encuentra el calefactor. Mantenga en todo momento despejadas las áreas de ventilación (ranuras en la parte inferior y superior, en el frente del calefactor) de manera que la combustión y el aire de ventilación no estén obstruidos. Con frecuencia, inspeccione visualmente la llama piloto y el quemador durante el uso para verificar que la combustión y el aire de ventilación no estén obstruidos. La llama del piloto debe ser de color azul (no amarillo) y se debe extender más allá de la termocupla. La llama rodeará la termocupla debajo de la punta; consulte la Figura 4. Se puede producir una llama de color levemente amarillo cuando la llama del piloto se cruza con la llama del quemador principal. Los quemadores deben ser de color naranja brillante (con un color levemente azul en torno al borde; una sombra de color naranja rojizo visible en el quemador es aceptable) y sin una llama perceptible. Una llama azul que se despliega en la parte superior indica una acumulación de polvo, pelusas o telarañas adentro del conjunto del quemador principal. Si el piloto es amarillo o el quemador tiene una llama perceptible, posiblemente se requiera una limpieza. Utilice el siguiente procedimiento para inspeccionar el conjunto del quemador principal. Si es necesario revise periódicamente el orificio y el tubo de Venturi del quemador para asegurarse de que estén limpios y no tengan insectos, nidos o telarañas que se suelen acumular con el tiempo. Se recomienda especialmente que estas instrucciones de mantenimiento se realicen una vez por año. Un tubo obstruido puede ocasionar un incendio.

1. Deje que el calefactor se enfríe completamente antes de realizar cualquier tarea de mantenimiento.
 2. Extraiga los cilindros de 1 lb del calefactor o cierre el suministro de gas en la válvula del cilindro remoto y desconecte la manguera del calefactor.
 3. Retire la rejilla de protección del calefactor extrayendo con cuidado los cuatro tornillos que sujetan la rejilla.
 4. Extraiga las (3) tuercas ciegas y retire con cuidado el conjunto del quemador exponiendo el conjunto del piloto y el tubo de Venturi.
 5. Inspeccione que no haya polvo, pelusas ni telarañas acumulados en el interior del conjunto de la carcasa. Si es necesario, limpie el interior del conjunto de la carcasa con una aspiradora o aplique presión de aire. Tenga cuidado de no dañar ningún componente del conjunto de la carcasa durante la limpieza.
 6. Inspeccione y limpie el orificio del quemador principal en la parte inferior del tubo de Venturi del quemador utilizando una aspiradora o aplicando presión de aire en la abertura del orificio.
 7. Inspeccione y limpie el piloto (montado en el soporte) utilizando una aspiradora o aplicando presión de aire a través de los orificios del piloto, que se indican con flechas en la figura 5.
- ADVERTENCIA:** Nunca utilice agujas, alambres ni otros objetos cilíndricos similares para limpiar el piloto ya que podría dañar el orificio calibrado que controla el flujo de gas.
8. Aplique presión de aire en el conjunto del quemador para quitar el polvo, las pelusas o las telarañas.
 9. Vuelva a instalar el conjunto del quemador y la rejilla de protección.

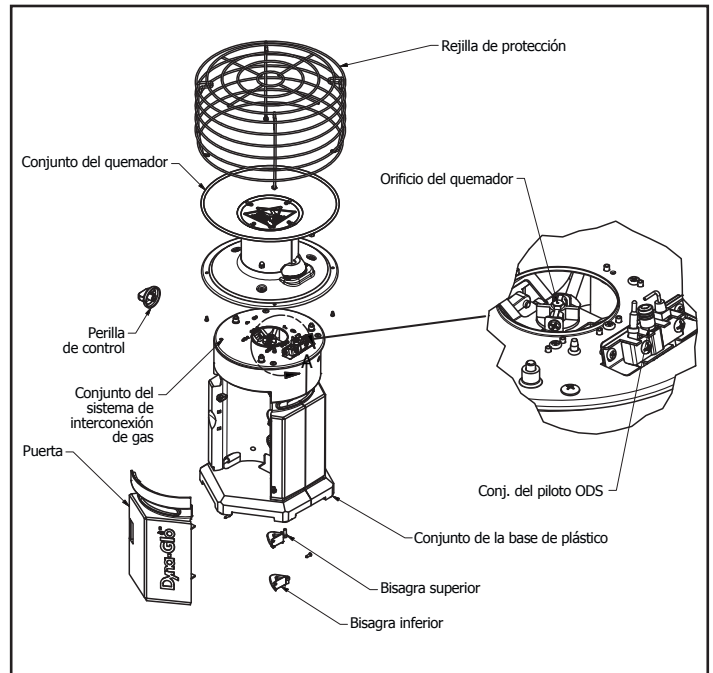


Fig. 4 - Ubicación del orificio del quemador

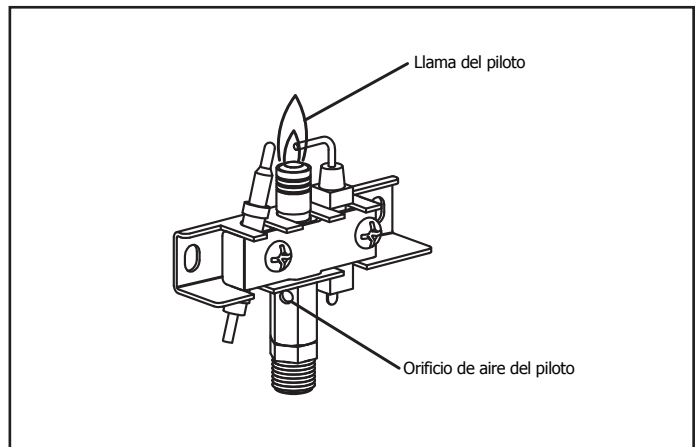


Fig. 5 - Conjunto del piloto

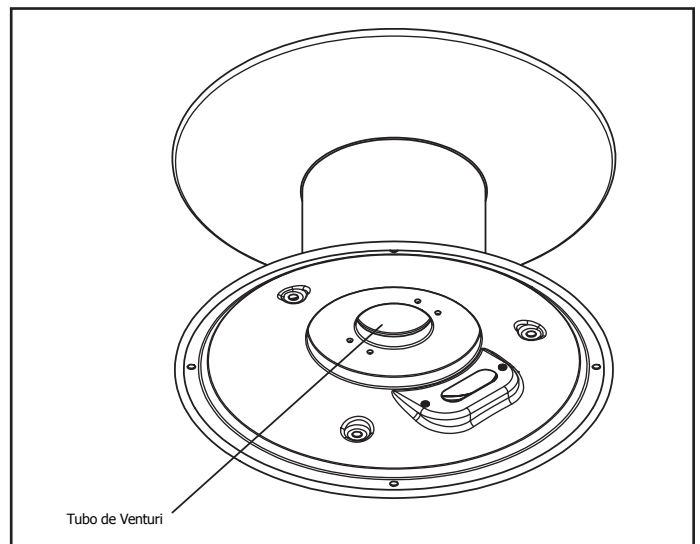


Fig. 6 - Conjunto del quemador

NUNCA DEJE DESATENDIDO EL CALEFACTOR MIENTRAS ESTÁ ENCENDIDO.

SOLUCIÓN DE PROBLEMAS

⚠️ ADVERTENCIA: Si percibe olor a gas:

- Cierre el suministro de gas.
- No intente encender el artefacto.
- No toque ningún interruptor eléctrico; no utilice ningún teléfono del edificio.
- Llame inmediatamente al proveedor de gas desde el teléfono de un vecino. Siga las instrucciones del proveedor de gas.
- Si no puede comunicarse con el proveedor de gas, llame al departamento de bomberos.

IMPORTANTE: Poner en funcionamiento el calefactor cuando hay impurezas en el aire podría causar olores. Los elementos de limpieza, las pinturas, los removedores de pintura, el humo del cigarrillo, el cemento y los pegamentos, las alfombras o telas nuevas, etc. generan humos. Estos humos se pueden mezclar con el aire de combustión y crear olores.

⚠️ ADVERTENCIA: Apague el calefactor y déjelo enfriar antes de repararlo. Solamente un técnico capacitado debe realizar el mantenimiento y la reparación del calefactor.

⚠️ PRECAUCIÓN: Nunca utilice un alambre, una aguja ni un objeto similar para limpiar el ODS/piloto. Esto puede dañar la unidad del ODS/piloto.

SOLUCIÓN DE PROBLEMAS

PROBLEMA	POSIBLE CAUSA	ACCIÓN CORRECTIVA
Cuando se gira la perilla del dispositivo de encendido, no hay chispas en el ODS/piloto.	<ol style="list-style-type: none"> 1. El electrodo del dispositivo de encendido está mal ubicado. 2. El electrodo del dispositivo de encendido está roto. 3. El electrodo del dispositivo de encendido no está conectado al cable del dispositivo. 4. El cable del dispositivo de encendido está aplastado o húmedo. 5. El cable del dispositivo de encendido está dañado. 	<ol style="list-style-type: none"> 1. Reemplace el electrodo. 2. Reemplace el electrodo. 3. Reemplace el cable del dispositivo de encendido. 4. Libere el cable del dispositivo de encendido si está aplastado debajo de un metal o una tubería. Mantenga seco el cable del dispositivo de encendido. 5. Reemplace el cable del dispositivo de encendido.
Cuando se gira la perilla del dispositivo de encendido, hay una chispa en el ODS/piloto, pero no se enciende.	<ol style="list-style-type: none"> 1. La válvula de cierre del tanque está cerrada. 2. La perilla de control no se presiona completamente al pulsar el botón del dispositivo de encendido. 3. Quedó aire en la tubería de gas cuando se instaló. 4. El ODS/piloto está obstruido. 5. La perilla de control no está en la posición PILOTO. 6. El suministro de gas (propano) está agotado. 	<ol style="list-style-type: none"> 1. Abra la válvula de suministro de gas. 2. Presione completamente la perilla de control al pulsar el botón del dispositivo de encendido. 3. Mantenga presionada la perilla de control. Repita el procedimiento de encendido hasta que se elimine el aire. 4. Limpie el ODS/piloto (consulte Cuidado y mantenimiento, página 22) o reemplace el conjunto del ODS/piloto. 5. Gire la perilla de control a la posición PILOTO. 6. Compre un tanque nuevo o recargue el tanque de 20 lb.
El ODS/piloto se enciende, pero la llama se apaga cuando se suelta la perilla de control.	<ol style="list-style-type: none"> 1. La perilla de control no está bien presionada. 2. La perilla de control no se mantiene presionada lo suficiente. 3. La válvula de cierre del equipo no está completamente abierta. 4. La conexión de la termocupla está floja. 5. La termocupla está dañada. 6. La válvula de control está dañada. 	<ol style="list-style-type: none"> 1. Presione completamente la perilla de control. 2. Una vez que el ODS/piloto se encienda, mantenga presionada la perilla de control durante 30 segundos. 3. Abra completamente la válvula de cierre del equipo. 4. Ajuste con la mano hasta que quede bien apretada y luego ajuste ¼ giro más. 5. Reemplace la termocupla. 6. Comuníquese con el servicio al cliente.
Los quemadores no se encienden después de encender el ODS/piloto.	<ol style="list-style-type: none"> 1. El orificio del quemador está obstruido. 2. El diámetro del orificio del quemador es demasiado pequeño. 3. La presión del gas de entrada es demasiado baja. 	<ol style="list-style-type: none"> 1. Limpie el orificio del quemador (consulte Cuidado y mantenimiento, página 22) o comuníquese con el servicio al cliente. 2. Comuníquese con el servicio al cliente. 3. Cambie los tanques.

NUNCA DEJE DESATENDIDO EL CALEFACTOR MIENTRAS ESTÁ ENCENDIDO.

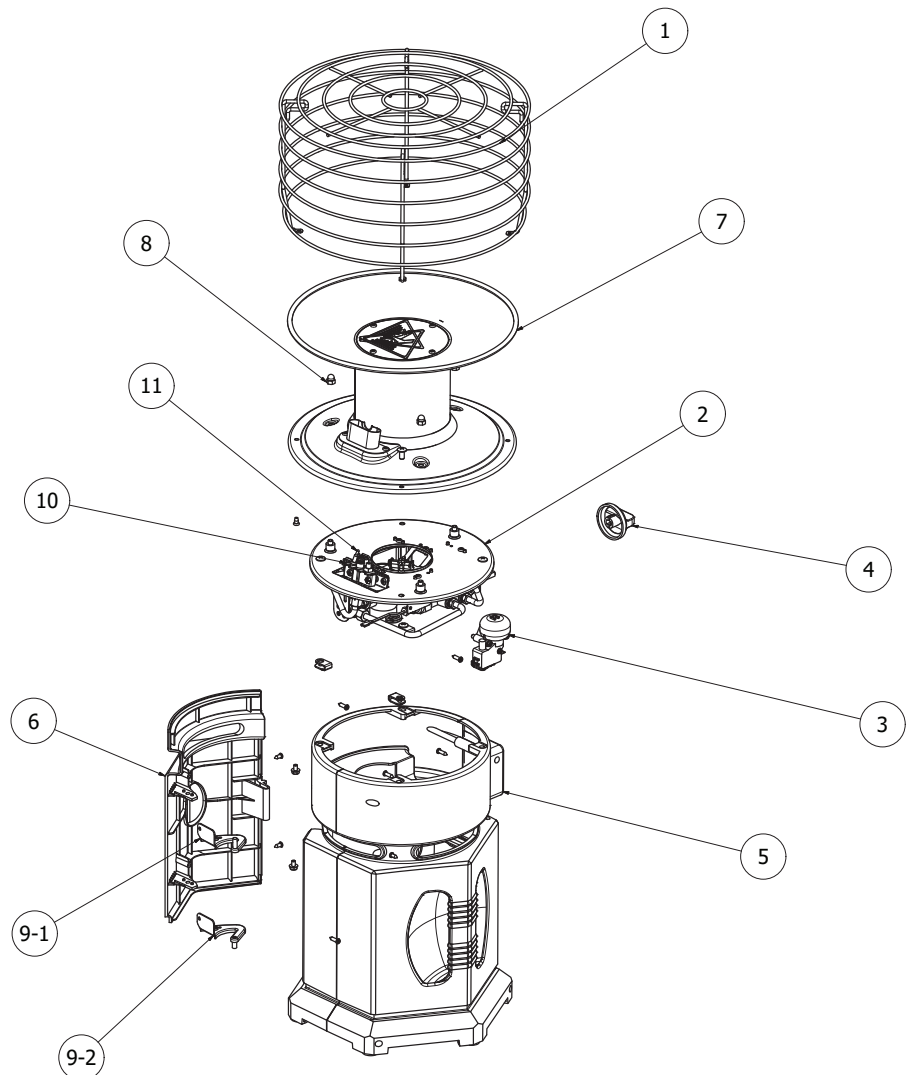
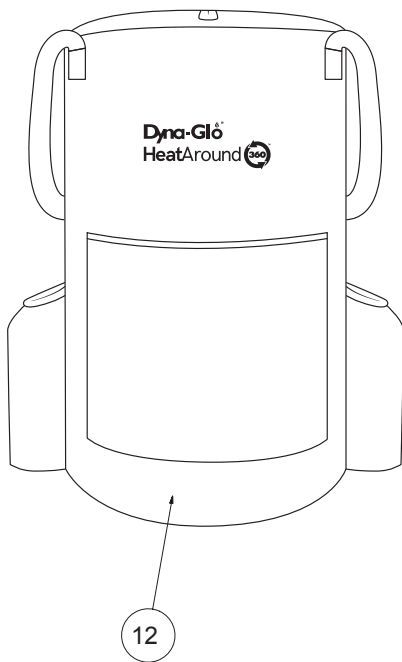
SOLUCIÓN DE PROBLEMAS

PROBLEMA	POSIBLE CAUSA	ACCIÓN CORRECTIVA
El quemador hace explosiones durante la combustión.	<ol style="list-style-type: none"> 1. El orificio del quemador está obstruido o dañado. 2. El quemador está dañado. 3. El regulador de gas está dañado. 	<ol style="list-style-type: none"> 1. Limpie el orificio del quemador (consulte Cuidado y mantenimiento, página 22) o comuníquese con el servicio al cliente. 2. Comuníquese con el distribuidor o el servicio al cliente. 3. Reemplace el regulador de gas.
La llama es alta y amarilla durante la combustión del quemador.	<ol style="list-style-type: none"> 1. No hay suficiente aire. 2. El regulador de gas tiene un defecto. 3. La temperatura del exterior es demasiado baja. 	<ol style="list-style-type: none"> 1. Verifique que no haya suciedad ni desechos en el quemador. En este caso, limpie el quemador (consulte Cuidado y mantenimiento, página 22). 2. Reemplace el regulador de gas. 3. Compre un tanque nuevo o recargue el tanque de 20 lb.
Hay olor a gas durante la combustión.	<ol style="list-style-type: none"> 1. Hay una materia extraña entre la válvula de control y el quemador. 2. Hay fuga de gas. (Consulte la advertencia de la página 16). 	<ol style="list-style-type: none"> 1. Desmonte la tubería de gas y extraiga la materia extraña. 2. Localice y corrija todas las fugas.
El calentador produce un ruido de chasquido inmediatamente después de encender o apagar el quemador.	<ol style="list-style-type: none"> 1. El metal se expande al calentarse y se contrae al enfriarse. 	<ol style="list-style-type: none"> 1. Esto es común en la mayoría de los calefactores. Si el ruido es excesivo, comuníquese con un técnico capacitado.
El calentador se apaga cuando está en uso (se activa el ODS).	<ol style="list-style-type: none"> 1. No hay suficiente aire fresco. 2. La presión en la tubería es baja. 3. El ODS/piloto está parcialmente obstruido. 	<ol style="list-style-type: none"> 1. Abra una ventana y/o una puerta para que haya ventilación. 2. Comuníquese con el proveedor de gas local. 3. Limpie el ODS/piloto (consulte Cuidado y mantenimiento, página 22).
Hay olor a gas aunque la perilla de control está en posición APAGADO.	<ol style="list-style-type: none"> 1. Hay fuga de gas. Consulte la advertencia de la página 30. 2. La válvula de control está dañada. 	<ol style="list-style-type: none"> 1. Localice y corrija todas las fugas (consulte "Verificación de las conexiones de gas", página 18). 2. Comuníquese con el servicio al cliente.
Se observa humedad/condensación en las ventanas.	<ol style="list-style-type: none"> 1. No hay suficiente aire de combustión/ventilación. 	<ol style="list-style-type: none"> 1. Consulte los requisitos de "Aire para combustión y ventilación", página 18.
Hay un poco de humo u olor cuando se enciende por primera vez.	<ol style="list-style-type: none"> 1. Residuos del proceso de fabricación. 	<ol style="list-style-type: none"> 1. El problema se solucionará después de unas horas de funcionamiento.

NUNCA DEJE DESATENDIDO EL CALEFACTOR MIENTRAS ESTÁ ENCENDIDO.

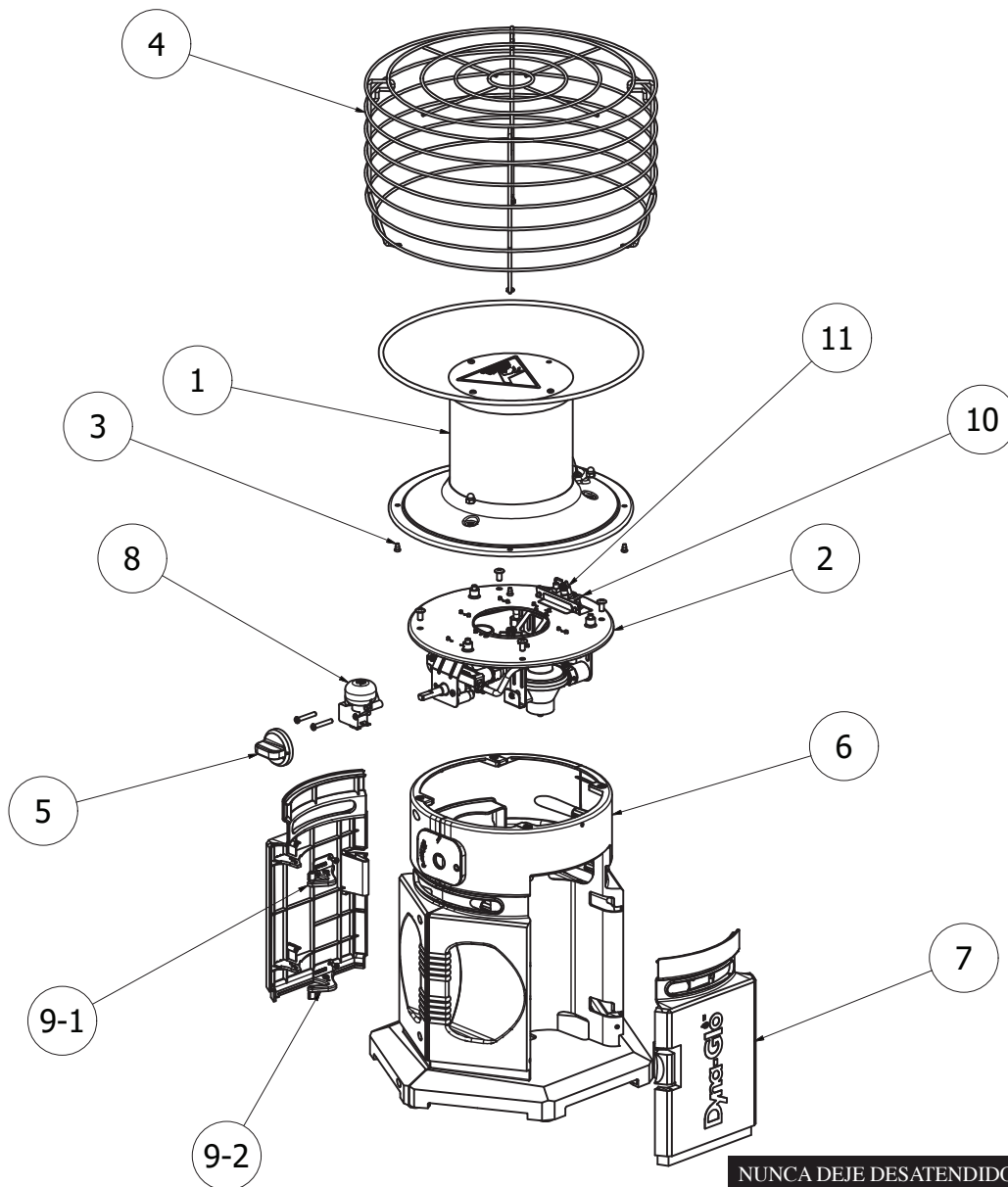
LISTA DE PIEZAS

ARTÍCULO	CANT.	HA1360RH	HA1360R	HA1360BK	DESCRIPCIÓN
1	1	HA1360-04	HA1360-04	HA1360-04	Rejilla de protección
2	1	HA1360-GTA	HA1360-GTA	HA1360-GTA	Conjunto del sistema de interconexión de gas
3	1	TT15C-07	TT15C-07	TT15C-07	Interruptor de vuelco
4	1	HA360-23	HA360-23	HA360-23	Perilla de control
5	1	HA1360-PBA-RD	HA1360-PBA-RD	HA1360-PBA-B	Conjunto de la base de plástico
6	1	HA1360-15-RD	HA1360-15-RD	HA1360-15-B	Puerta de acceso
7	1	HA1360-01	HA1360-01	HA1360-10	Conjunto del quemador
8	N/A	HA360-HK	HA360-HK	HA360-HK	Kit de tornillería para instalación (incluye la tornillería para ensamblar la unidad)
9-1	1	HA1360-21	HA1360-21	HA1360-21	Conjunto de bisagras, superior
9-2	1	HA1360-22	HA1360-22	HA1360-22	Conjunto de bisagras, inferior
10	1	HA1360-08	HA1360-08	HA1360-08	Conj. del piloto/ODS para propano líquido
11	1	HA360-08-01	HA360-08-01	HA360-08-01	Termocupla
12	1	HAC360-1	N/A	N/A	Caja de acarreo



NUNCA DEJE DESATENDIDO EL CALEFACTOR MIENTRAS ESTÁ ENCENDIDO.

LISTA DE PIEZAS				
ARTÍCULO	CANT.	HA2360R	HA2360BK	DESCRIPCIÓN
1	1	HA2360-01	HA2360-01	Conjunto del quemador
2	1	HA2360-GTA	HA2360-GTA	Conjunto del sistema de interconexión de gas
3	N/A	HA360-HK	HA360-HK	Kit de tornillería para instalación
4	1	HA2360-04	HA2360-04	Rejilla de protección
5	1	HA360-23	HA360-23	Perilla de control
6	1	HA2360-PBA-RD	HA2360-PBA-B	Conjunto de la base de plástico
7	2	HA2360-15-RD	HA2360-15-B	Puerta
8	1	TT15C-07	TT15C-07	Interruptor de vuelco
9-1	2	HA2360-21	HA2360-21	Bisagra de la puerta, superior
9-2	2	HA2360-22	HA2360-22	Bisagra de la puerta, inferior
10	1	HA2360-08	HA2360-08	Conj. del piloto/ODS para propano líquido
11	1	HA360-08-01	HA360-08-01	Termocupla



NUNCA DEJE DESATENDIDO EL CALEFACTOR MIENTRAS ESTÁ ENCENDIDO.

GARANTÍA

GARANTÍA LIMITADA:

Esta garantía limitada se extiende al comprador minorista original de este calefactor de aire forzado/convección/radiante, que está garantizado contra defectos de materiales y mano de obra por un período de un (1) año a partir de la fecha de la venta minorista (garantía de por vida solo para el quemador con boquilla de bronce). GHP Group, Inc., a su discreción, proporcionará las piezas de repuesto o reparará la unidad, cuando esta sea devuelta a la tienda minorista donde se compró o a uno de nuestros centros de servicio, según lo indique GHP Group, Inc., dentro de un período de un (1) año a partir de la compra minorista. (Los costos de envío, los costos de mano de obra, etc. son responsabilidad del comprador).

OBLIGACIONES DEL PROPIETARIO:

Este artefacto de calefacción se debe utilizar de acuerdo con las instrucciones escritas incluidas con el calefactor. Esta garantía no eximirá al propietario del mantenimiento adecuado del calefactor de acuerdo con las instrucciones escritas incluidas con el calefactor. Se debe conservar la factura de compra, el cheque cobrado o el registro de pago para verificar la fecha de compra y establecer el período de la garantía. Se debe conservar la caja original en caso de que se desee devolver la unidad en garantía.

QUÉ NO CUBRE:

1. Daños ocasionados por el uso del combustible incorrecto.
2. Daños ocasionados por el uso indebido o contrario al manual del propietario y a las pautas de seguridad.
3. Daños ocasionados por la falta de mantenimiento normal.
4. Fusibles
5. Uso de piezas o accesorios no estándar.
6. Daños ocasionados en el traslado. Los cargos de flete para las piezas o los calefactores en garantía trasladados hacia o desde la fábrica serán responsabilidad del propietario.

Esta garantía no implica ni asume ninguna responsabilidad de daños indirectos que se podrían ocasionar por el uso, el uso indebido o la falta de mantenimiento habitual de este artefacto de calefacción. Se podría cobrar una tarifa por limpieza y el costo de las piezas en caso de que las fallas del artefacto se ocasionaran por falta de mantenimiento. Esta garantía no cubre reclamos que no estén relacionados con la mano de obra o materiales defectuosos. **SI NO SE REALIZA MANTENIMIENTO GENERAL (INCLUIDA LA LIMPIEZA), LA GARANTÍA QUEDARÁ ANULADA.**

ESTA GARANTÍA LIMITADA SE OTORGA AL COMPRADOR EN REEMPLAZO DE TODAS LAS OTRAS GARANTÍAS, EXPRESAS O IMPLÍCITAS, INCLUIDAS, ENTRE OTRAS, LAS GARANTÍAS DE COMERCIALIZACIÓN E IDONEIDAD PARA UN FIN DETERMINADO. EL RECURSO PROPORCIONADO EN ESTA GARANTÍA ES EXCLUSIVO Y SE OTORGA EN REEMPLAZO DE TODOS LOS OTROS RECURSOS. EN NINGÚN CASO, GHP GROUP, INC. SERÁ RESPONSABLE DE NINGÚN DAÑO INCIDENTAL O INDIRECTO.

Algunos estados no permiten limitaciones por el tiempo que dura una garantía implícita. Por lo tanto, es posible que la limitación mencionada no se aplique en su caso. Algunos estados no permiten la exclusión o limitación de daños incidentales o indirectos. Por lo tanto, es posible que la limitación o exclusión mencionada no se aplique en su caso.

LOS RECLAMOS SE APLICAN DE LA SIGUIENTE MANERA:

1. Comuníquese con la tienda y explique el problema.
2. Si en la tienda no pueden resolver el problema, comuníquese con nuestro Departamento de servicio al cliente detallando el modelo del calefactor, el problema y el comprobante de la fecha de compra.
3. Un representante se podrá en contacto con usted. NO DEVUELVA EL CALEFACTOR A GHP GROUP, INC. a menos que se lo haya indicado el representante. Esta garantía otorga derechos legales específicos, y podría haber otros derechos aplicables según el estado.

PARA REGISTRAR LA GARANTÍA DE SU CALEFACTOR, COMPLETE ESTA TARJETA
Y ENVÍELA POR CORREO DENTRO DE LOS 14 DÍAS A PARTIR DE LA FECHA DE COMPRA O REGÍSTRELA EN LÍNEA EN www.ghpgroupinc.com.

NOMBRE: _____ TELÉFONO: _____ CORREO ELECTRÓNICO: _____
DIRECCIÓN: _____ CIUDAD: _____ ESTADO: _____ CÓDIGO POSTAL: _____
MODELO: _____ N.º DE SERIE: _____ FECHA DE COMPRA: _____
DISTRIBUIDOR DONDE REALIZÓ LA COMPRA: _____ TIPO DE TIENDA: _____
CIUDAD Y ESTADO DONDE REALIZÓ LA COMPRA: _____ PRECIO ABONADO: _____

Tómese un minuto para responder las siguientes preguntas.

Todas las respuestas se utilizan exclusivamente para investigación de mercado y se mantiene estrictamente la confidencialidad de la información.

¿Quién decidió principalmente esta compra? Masculino Femenino 18-24 25-39 40-59 60 o más
¿Objetivo de la compra? _____
¿Posee alguno de los otros calefactores portátiles? Sí No Si la respuesta es afirmativa, tipo _____ marca _____
¿Cómo pretende utilizar su calefactor nuevo? Obra en construcción Finca Almacén/comercio Garaje/edificación anexa Otro
¿Cómo se enteró de este calefactor? En la vidriera de una tienda Anuncio publicitario en un periódico Anuncio publicitario en una revista
 Amigo/familiar Comercial en televisión Vendedor de una tienda Otro _____
¿Por qué eligió este calefactor? Estilo Tamaño/Portabilidad Precio Embalaje Marca Otro _____
¿Usted: es propietario? alquila? ¿Recomendaría este calefactor a un amigo? Sí No
Déjenos sus comentarios: _____

GRACIAS POR COMPLETAR ESTE FORMULARIO.
Se mantendrá la confidencialidad de la información.

REGISTRO DE LA GARANTÍA

IMPORTANTE: Lo instamos a que complete la tarjeta de registro de la garantía dentro de los catorce (14) días de la fecha de compra. También puede registrar la garantía por Internet en www.ghpgroupinc.com. Complete el número de serie. Conserve esta parte de la tarjeta para su constancia.



GHP Group, Inc.
6440 W Howard St
Niles, IL 60714-3302

Tel: 1 (877) 447-4768
www.ghpgroupinc.com

¡GUARDE ESTA TARJETA!

Coloque aquí
el sello postal

GHP Group, Inc.
6440 W Howard St
Niles, IL 60714-3302