

This Owner's Manual is provided and hosted by [Appliance Factory Parts](#).



DYNA-GLO IR6NTDG-1-1 Owner's Manual

[Shop genuine replacement parts for DYNA-GLO
IR6NTDG-1-1](#)



[Find Your DYNA-GLO HVAC Parts - Select From 146 Models](#)

----- Manual continues below -----



VENT-FREE INFRARED GAS WALL HEATER

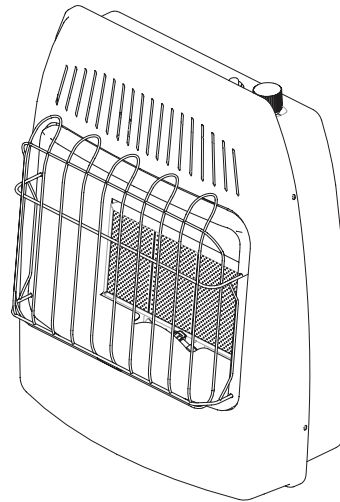
MODEL #

Propane

IR6PTDG-1/PMDG-1
IR12PTDG-1/PMDG-1
IR18PTDG-1/PMDG-1
IR30PTDG-1/PMDG-1

Natural Gas

IR6NTDG-1/NMDG-1
IR12NTDG-1/NMDG-1
IR18NTDG-1/NMDG-1
IR30NTDG-1/NMDG-1



US

ANS Z21.11.2-2013

Gas Fired Room Heaters
Volume II - Unvented Room Heaters

⚠ WARNING: This appliance is equipped for (natural or propane) gas. Field conversion is not permitted.

⚠ WARNING: IF THE INFORMATION IN THIS MANUAL IS NOT FOLLOWED EXACTLY, A FIRE OR EXPLOSION MAY RESULT CAUSING PROPERTY DAMAGE, PERSONAL INJURY OR LOSS OF LIFE.

- Do not store or use gasoline or other flammable vapors and liquids in vicinity of this or any other appliance.

WHAT TO DO IF YOU SMELL GAS

- Do not try to light any appliance.
 - Do not touch any electrical switch; do not use any phone in your building.
 - Immediately call your gas supplier from a neighbor's phone. Follow the gas supplier's instructions.
 - If you cannot reach your gas supplier, call the fire department.
- Installation and service must be performed by a qualified installer, service agency or the gas supplier.

This is an unvented gas-fired heater. It uses air (oxygen) from the room in which it is installed. Provisions for adequate combustion and ventilation air must be provided. Refer to Air For Combustion and Ventilation section on page 8 of this manual.

**INSTALLER: Leave this manual with the appliance.
CONSUMER: Retain this manual for future reference.**

This appliance may be installed in an aftermarket, permanently located, manufactured (mobile) home, where not prohibited by local codes.

This appliance is only for use with the type of gas indicated on the rating plate. This appliance is not convertible for use with other gases.



Questions, problems, missing parts? Before returning to your retailer, call our customer service department at 1-877-447-4768, 8:30 a.m. – 4:30 p.m., CST, Monday – Friday or email us at customerservice@ghpgroupinc.com.

TABLE OF CONTENTS

Important Safety Information	4
Product Features	6
Air For Combustion and Ventilation	8
Installation	11
Operation.....	18
Care and Maintenance	22
Troubleshooting.....	23
Replacement Parts	27
Warranty	28

⚠ WARNING: Read the Installation & Operating Instructions before using this appliance.
IMPORTANT: Read all instructions and warnings carefully before starting installation.
Failure to follow these instructions may result in possible injury to persons or a fire hazard and will void the warranty.

PRODUCT SPECIFICATIONS

SERIES	IR6PTDG-1/PMDG-1	IR12PTDG-1/PMDG-1
MAX BTU	6,000	12,000
Fuel Type	Propane	Propane
Ignition	Electronic Push Button	Electronic Push Button
Manifold Pressure	10 in. W.C.	10 in. W.C.
Inlet Gas Pressure		
Maximum	14 in. W.C.	14 in. W.C.
*Minimum (*For purposes of input adjustment)	11 in. W.C.	11 in. W.C.
Dimensions (in.) (H x W x D)	20.00 in. x 17.32 in. x 9.49 in.	20.00 in. x 17.32 in. x 9.49 in.
Fan Ratings (Select Models)	Not Available	120V/60Hz, 18W, 0.15A

SERIES	IR18PTDG-1/PMDG-1	IR30PTDG-1/PMDG-1
MAX BTU	18,000	30,000
Fuel Type	Propane	Propane
Ignition	Electronic Push Button	Electronic Push Button
Manifold Pressure	10 in. W.C.	10 in. W.C.
Inlet Gas Pressure		
Maximum	14 in. W.C.	14 in. W.C.
*Minimum (*For purposes of input adjustment)	11 in. W.C.	11 in. W.C.
Dimensions (in.) (H x W x D)	24.02 in. x 20.94 in. x 10.08 in.	24.09 in. x 28.07 in. x 10.51 in.
Fan Ratings (Select Models)	120V/60Hz, 18W, 0.15A	120V/60Hz, 18W, 0.15A








SERIES	IR6NTDG-1/NMDG-1	IR12NTDG-1/NMDG-1	
MAX BTU	6,000	12,000	
Fuel Type	Natural Gas	Natural Gas	
Ignition	Electronic Push Button	Electronic Push Button	
Manifold Pressure	5 in. W.C.	5" W.C. (IR12NTDG-1)	4" W.C. (IR12NMDG-1)
Inlet Gas Pressure			
Maximum	14 in. W.C.	14 in. W.C.	
*Minimum (*For purposes of input adjustment)	6 in. W.C.	6 in. W.C.	
Dimensions (in.) (H x W x D)	20.00 in. x 17.32 in. x 9.49 in.	20.00 in. x 17.32 in. x 9.49 in.	
Fan Ratings (Select Models)	Not Available	120V/60Hz,18W, 0.15A	

SERIES	IR18NTDG-1/NMDG-1		IR30NTDG-1/NMDG-1	
MAX BTU	18,000		30,000	
Fuel Type	Natural Gas		Natural Gas	
Ignition	Electronic Push Button		Electronic Push Button	
Manifold Pressure	5" W.C. (IR18NTDG-1)	4" W.C. (IR18NMDG-1)	5" W.C. (IR30NTDG-1)	4.5" W.C. (IR30NMDG-1)
Inlet Gas Pressure				
Maximum	14 in. W.C.		14 in. W.C.	
*Minimum (*For purposes of input adjustment)	6 in. W.C.		6 in. W.C.	
Dimensions (in.) (H x W x D)	24.02 in. x 20.94 in. x 10.08 in.		24.09 in. x 28.07 in. x 10.51 in.	
Fan Ratings (Select Models)	120V/60Hz,18W, 0.15A		120V/60Hz,18W, 0.15A	

IMPORTANT SAFETY INFORMATION

IMPORTANT: Read this owner's manual carefully and completely before trying to assemble, operate, or service this heater. Improper use of this heater can cause serious injury or death from burns, fire, explosion, electrical shock, and carbon monoxide poisoning.

Installation and repair should be done by a qualified service person. The appliance should be inspected before use and at least annually by a professional service person. More frequent cleaning may be required due to excessive lint from carpeting, bedding material, etc. It is imperative that control compartments, burners and circulating air passageways of the appliance be kept clean.

-  **WARNING:** Any change to this heater or its controls can be dangerous.
-  **WARNING:** Carefully supervise young children when they are in the room with the heater.
-  **WARNING:** Heater becomes very hot when operating. Children and adults should be alerted to the hazard of high surface temperatures and should stay away to avoid burns or clothing ignition. Heater will remain hot for a time after shutoff. Allow surfaces to cool before touching.
-  **WARNING:** Make sure any panel, safety screen or guard removed for servicing an appliance is replaced prior to operating the heater.
-  **WARNING:** Keep the appliance area clear and free from combustible materials, gasoline, and other flammable vapors and liquids.
-  **WARNING:** Do not place clothing or other flammable material on or near the appliance. Never place any objects on the heater.
-  **WARNING:** Due to high temperatures, locate this appliance out of traffic and away from furniture and draperies.

This appliance is intended for supplemental heating.

CARBON MONOXIDE POISONING: Early signs of carbon monoxide poisoning resemble the flu with headaches, dizziness, or nausea. If you have these signs, the heater may not be working properly. Get fresh air immediately! Have heater serviced. Some people are more affected by carbon monoxide than others. These include pregnant women, people with heart or lung disease, people who are anemic, those under the influence of alcohol, and those living in high altitudes.

NATURAL AND PROPANE/LP GAS: Natural and Propane/LP gases are odorless. An odor-making agent is added to the gas. The odor helps you detect a gas leak. However, the odor added to the gas can fade. Gas may be present even though no odor exists. Make certain you read and understand all warnings. Keep this manual for reference. It is your guide to operating this heater safely.

WARNING:

If the heater is being installed in a residential garage, it must be secured firmly to the wall, a minimum of 18 in. (457mm) above the floor. The heater must be located so that it is protected against any possibility of damage by a moving vehicle, etc.


Raising the heater will reduce BUT NOT eliminate the possibility of lighting the vapor of any flammable liquids which may be improperly stored or accidentally spilled. If the smell of gasoline is present, do not operate this heater until the area has been properly ventilated.

SAFETY INFORMATION

 **WARNING:** Do not use any accessories not approved for use with this heater.

CALIFORNIA PROPOSITION 65

Fuels used in gas or oil fired appliances and the products of combustion of such fuels contain chemicals known to the state of California to cause cancer, birth defects or other reproductive harm. This product contains chemicals, including lead and lead compounds, known to the state of California to cause cancer, birth defects or other reproductive harm. ***Wash hands after handling.***

1. Do not place Propane/LP supply tank(s) inside any structure. Place Propane/LP supply tank(s) outdoors.
2. Only the IR6 Series can be installed in a bedroom or bathroom.
When installing in a bedroom or bathroom the heater **MUST** be mounted to the wall (See Wall Mounting, Page 13). All other models cannot be installed in a bathroom or bedroom.
3. This heater needs fresh air ventilation to run properly. This heater has an Oxygen Depletion Sensing (ODS) safety shutoff system. The ODS shuts down the heater if not enough fresh air is available. See Air for Combustion and Ventilation, pages 7 through 9. If heater keeps shutting off, see Troubleshooting, pages 23 through 26.
4. Keep all air openings in front, top and bottom of heater free of objects and debris to ensure adequate air for proper combustion.
5. If heater shuts off, do not relight until you have provided fresh, outside air. If heater keeps shutting off, have it serviced.
6. Do not run heater:
 - Where flammable liquids or vapors are used or stored.
 - Under dusty conditions.
7. Before using furniture polish, wax, carpet cleaner, or similar products, turn heater and pilot off. If heated, the vapors from these products may create a white powder residue within burner box or on adjacent walls or furniture.
8. Do not use heater if any part has been under water. Immediately call a qualified service technician to inspect the room heater and to replace any part of the control system and any gas control which has been under water.
9. Turn off and unplug heater and let cool before servicing. Only a qualified service person should service and repair heater.
10. To prevent performance problems, do not use propane/LP fuel tank of less than 100 lbs. capacity.
11.  **WARNING:** Do not allow fans to blow directly into the heater. Avoid any drafts that alter burner flame patterns.
12. **SAVE THESE INSTRUCTIONS.**

PRODUCT FEATURES

SAFETY PILOT

This heater has a pilot with an Oxygen Depletion Sensing (ODS) safety shutoff system. The ODS/pilot shuts off the heater if there is not enough fresh air and cuts off main burner gas in the event of flame out.

LEG KIT(Select models)

2 support legs and 4 support leg screws are included for floor mounting the heater. See page 13.

NOTE: This is an optional accessory and is not required for operation of the heater.

ELECTRONIC PUSH BUTTON IGNITION SYSTEM

This heater is equipped with an electronic push button ignition system. This system requires one AAA battery (provided).

THERMOSTAT HEAT CONTROL(SELECT MODELS)

The control automatically cycles the burner on and off to maintain a desired room temperature. See page 24.

FAN KIT(SELECT MODELS)

The fan kit helps to distribute the warmed air into the space more rapidly.

NOTE: This is an optional accessory and is not required for operation of the heater.

State of Massachusetts: The installation must be made by a licensed plumber or gas fitter in the Commonwealth of Massachusetts. Sellers of unvented propane or natural gas-fired supplemental room heaters shall provide to each purchaser a copy of 527 CMR 30 upon sale of the unit.

In the State of Massachusetts, unvented propane or natural gas-fired space heaters shall be prohibited in bedrooms and bathrooms.

In the State of Massachusetts the gas cock must be a T-handle type. The State of Massachusetts requires that a flexible appliance connector cannot exceed three feet in length.

LOCAL CODES

Install and use heater with care. The installation must conform with local codes or, in the absence of local codes, with the latest edition of The Nation Fuel Gas Code, ANSI Z223.1/NFPA 54

*Available from:

American National Standard Institute, Inc.
1430 Broadway
New York, NY 10018

National Fire Protection Association, Inc.
1 Batterymarch Park
Quincy, MA 02269-9101

This heater is designed for vent-free operation. State and local codes in some areas prohibit, restrict and or have special requirements for vent-free heaters.

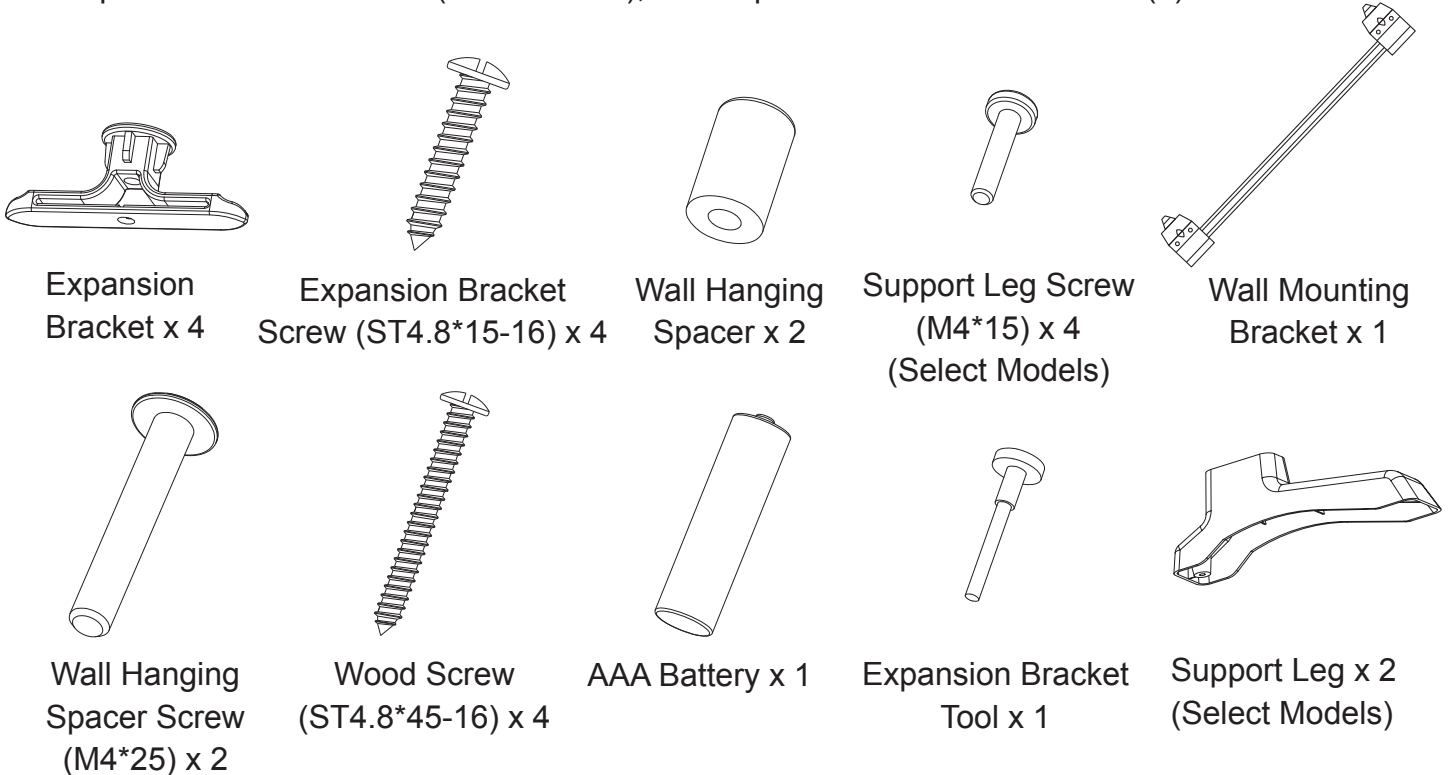
PREPARING FOR INSTALLATION

Before beginning assembly or operation of the product, make sure all parts are present. Compare parts with package contents list. If any part is missing or damaged, do not attempt to assemble, install or operate the product. Contact customer service for replacement parts.

UNPACKING

1. Remove heater from carton.
2. Remove all protective packaging applied to heater for shipping
3. Verify all contents are present.

NOTE: Support Leg Screw (M4*15) (Select Models), Wood Screw (ST4.8*45-16), Expansion Bracket Screw (ST4.8*15-16), and Expansion Bracket come with (2) extra each.



4. Check heater for any shipping damage. If heater is damaged, promptly inform dealer where you bought the heater.

WATER VAPOR: A BY-PRODUCT OF UNVENTED ROOM HEATERS

Water vapor is a by-product of gas combustion. An unvented room heater produces approximately one (1) ounce (30 mL) of water for every 1,000 BTUs (.3 Kw) of gas input per hour. An unvented room heater is intended as a supplemental heater rather than a primary heat source. In most supplemental heat applications, the water vapor does not create a problem. In most applications, the water vapor enhances the low humidity atmosphere experienced during cold weather.

The following steps will help ensure that water vapor does not become a problem:

1. Be sure the heater is the proper size for the application, including adequate combustion air and circulation air.
2. If there is high humidity, a dehumidifier may be used to help lower the water vapor content of the air.
3. Do not use an unvented room heater as the primary heat source.

PREPARING FOR INSTALLATION

AIR FOR COMBUSTION AND VENTILATION

⚠ CAUTION: This heater shall not be installed in a room or space unless the required volume of indoor combustion air is provided by the method described in the National Fuel Gas Code, ANSI Z223.1/NFPA54, the International Fuel Gas Code, or applicable local codes.

PRODUCING ADEQUATE VENTILATION

All spaces in homes fall into one of the three following ventilation classifications:

1. Unusually Tight Construction
2. Unconfined Space
3. Confined Space

The information on pages 7 through 9 will help you classify your space and provide adequate ventilation.

Confined and Unconfined Space

A confined space as a space whose volume is less than 50 cu. ft. per 1,000 BTU/hr (4.8 m³ per kw) of the aggregate input rating of all appliances installed in that space and an unconfined space as a space whose volume is not less than 50 cu. ft. per 1,000 BTU/hr (4.8 m³ per kw) of the aggregate input rating of all appliances installed in that space. Rooms connecting directly with the space in which the appliances are installed*, through openings not furnished with doors, are considered a part of the unconfined space.

This heater shall not be installed in a confined space or unusually tight construction unless provisions are provided for adequate combustion and ventilation air.

* Adjoining rooms are connecting only if there are doorless passageways or ventilation grills between them.

Unusually Tight Construction

The air that leaks around doors and windows may provide enough fresh air for combustion and ventilation. However, in buildings of unusually tight construction, you must provide additional fresh air.

Unusually tight construction is defined as construction where:

- a) walls and ceilings exposed to the outside atmosphere have a continuous water vapor retarder with a rating of one perm (6x10⁻¹¹kg per pa-sec-m²) or less with openings gasketed or sealed and
- b) weather stripping has been added on windows that can be opened and on doors and
- c) caulking or sealants are applied to areas such as joints around window and door frames, between sole plates and floors, between wall-ceiling joints, between wall panels, at penetrations for plumbing, electrical, and gas lines, and at other openings.

If your home meets all of the three criteria above, you must provide additional fresh air. See "Ventilation Air From Outdoors" (page 9). If your home does not meet all of the three criteria above, proceed to "Determining Fresh-Air Flow For Heater Location".

PREPARING FOR INSTALLATION

DETERMINING FRESH-AIR FLOW FOR HEATER LOCATION

Determining if You Have a Confined or Unconfined Space

Use this worksheet to determine if you have a confined or unconfined space.

Space: Includes the room in which you will install heater plus any adjoining rooms with doorless passageways or ventilation grills between the rooms.

1. Determine the volume of the space $\text{Length} \times \text{Width} \times \text{Height} = \text{cu. ft. (volume of space)}$
Example: Space size 20 ft. (length) \times 16 ft.(width) \times 8 ft. (ceiling height) = 2560 cu. ft. (volume of space)

If additional ventilation to adjoining room is supplied with grills or openings, add the volume of these rooms to the total volume of the space.

2. Divide the space volume by 50 cu. ft. to determine the maximum BTU/hr the space can support.
_____ (volume of space) \div 50 cu. ft. = (Maximum BTU/hr the space can support)
Example: 2560 cu. ft. (volume of space) \div 50 cu. ft. = 51.2 or 51,200 (maximum BTU/hr the space can support)

3. Add the BTU/hr of all fuel burning appliances in the space.

Vent-free heater _____ BTU/hr

Gas water heater* _____ BTU/hr

Gas furnace _____ BTU/hr

Vented gas heater _____ BTU/hr Example:

Gas heater logs _____ BTU/hr Gas water heater 30,000 BTU/hr

Other gas appliances*+ _____ BTU/hr Vent-free heater + 26,000 BTU/hr

Total = _____ BTU/hr Total = 56,000 BTU/hr

*Do not include direct-vent gas appliances. Direct-vent draws combustion air from the outdoors and vents to the outdoors.

4. Compare the maximum BTU/hr the space can support with the actual amount of BTU/hr used.

_____ BTU/hr (maximum the space can support)

_____ BTU/hr (actual amount of BTU/hr used).

Example : 51,200 BTU/hr (maximum the space can support) 56,000 BTU/hr (actual amount of BTU/hr used)

The space in the above example is a confined space because the actual BTU/hr used is more than the maximum BTU/hr the space can support.

You must provide additional fresh air. Your options are as follows:

- a) Rework worksheet, adding the space of an adjoining room. If the extra space provides an unconfined space, remove door to adjoining room or add ventilation grills between rooms. See "Ventilation Air From Inside Building," page 9.
- b) Vent room directly to the outdoors. See "Ventilation Air From Outdoors", page 9.
- c) Install a lower BTU/hr heater if lower BTU/hr size makes room unconfined. If the actual BTU/hr used is less than the maximum BTU/hr the space can support, the space is an unconfined space. You will need no additional fresh air ventilation.

PREPARING FOR INSTALLATION

Ventilation Air From Inside Building

This fresh air would come from adjoining unconfined space. When ventilating to an adjoining unconfined space, you must provide two permanent openings: one within 12 in. of the wall connecting the two spaces (see options 1 and 2, Fig. 1). You can also remove door into adjoining room (see option 3, Fig. 1). Follow the National Fuel Gas Code NFPA 54/ANS Z223.1. Air for Combustion and Ventilation for required size of ventilation grills or ducts.

Ventilation Air From Outdoors

Provide extra fresh air by using ventilation grills or duct. You must provide two permanent openings: one within 12 in. of the ceiling and one within 12 in. of the floor. Connect these items directly to the outdoors or spaces open to the outdoors. These spaces include attics and crawl spaces. Follow the National Fuel Gas Code NFPA 54/ANS Z223.1. Air for Combustion and Ventilation for required size of ventilation grills or ducts.

IMPORTANT: Do not provide openings for inlet or outlet air into attic if attic has a thermostat-controlled power vent. Heated air entering the attic will activate the power vent. Rework worksheet, adding the space of the adjoining unconfined space. The combined spaces must have enough fresh air to supply all appliances in both spaces.

Fig. 1 - Ventilation Air from Inside Building

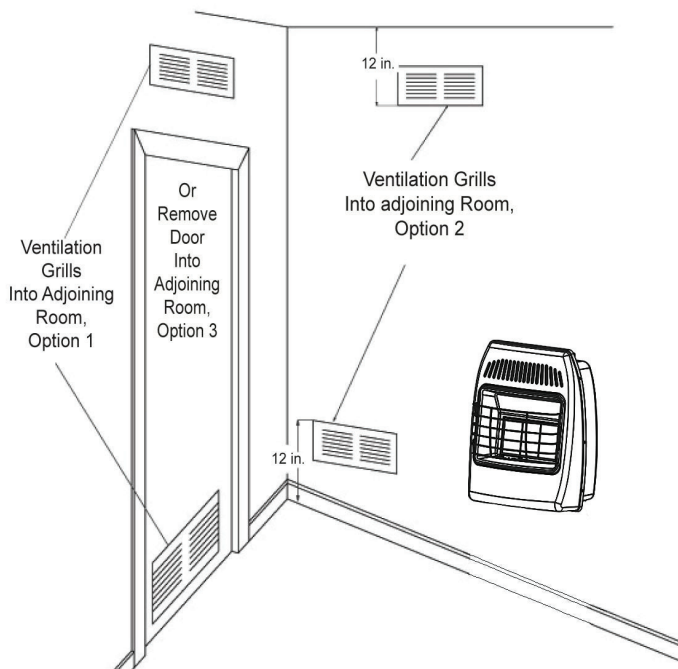
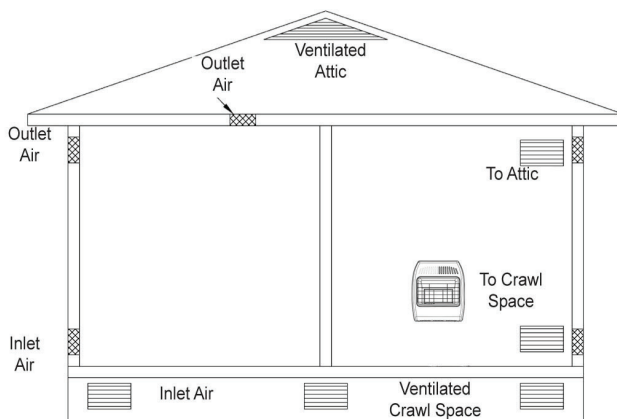


Fig. 2 - Ventilation Air from Outdoors



INSTALLATION

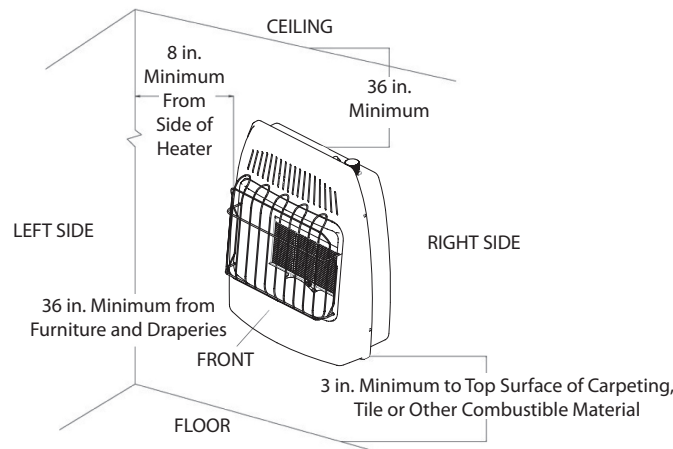
- ⚠ NOTICE:** This heater is intended for use as supplemental heat. Use this heater along with your primary heating system. Do not install this heater as your primary heat source.
- ⚠ WARNING:** A qualified technician must install heater. Follow all local codes.
- ⚠ WARNING:** Maintain the minimum clearances. If possible, provide greater clearances from the floor, ceiling, and adjoining wall than required.
- ⚠ CAUTION:** This heater creates warm air currents. These currents move heat to wall surfaces next to heater. Installing heater next to vinyl or cloth wall coverings or operating heater where impurities (such as tobacco smoke, candles, cleaning fluids, oil or kerosene lamps, etc.) in the air exist, may cause walls to discolor.

CLEARANCES TO COMBUSTIBLES

Carefully follow the instructions below. This heater can be mounted on the wall or on the floor using the support legs (Select models).

- ⚠ WARNING:** Maintain the minimum clearances shown in (See Fig. 3). If you can, provide greater clearances from floor, ceiling, and joining wall.

Fig. 3 - Mounting clearances as viewed from front of heater (inches)



*A Second Side Wall Must be at Least 18in. Away from the Other Side of the Heater.

MINIMUM CLEARANCE TO COMBUSTIBLES				
*LEFT / RIGHT	TOP	BOTTOM	FRONT	Rear
8 in.	36 in.	3 in.	36 in.	0 in. to Spacer
Top clearance is from top of heater to ceiling, wood shelf or other combustible material				
Bottom clearance is from bottom of heater to surface of carpet, tile or other combustible material.				

- *A second side wall must be at least 18 in. away from the other side of the heater. Always maintain a minimum of 36 in. clearance from furniture and draperies.
- *For the installation in residential garages please refer to the bottom of page 4.

INSTALLATION

INSTALLING IGNITOR BATTERY

- Battery is included.
- Unscrew ignitor cap and insert included battery negative (flat) side down (See Fig. 7). Replace Ignitor cap.
- Be sure to observe proper polarity (+/-) when installing or replacing the battery. Damage due to improper battery installation may void the warranty on the product.
- Install/replace the battery according to the type and quantity stated in table below.
- Remove battery when depleted.
- For long periods of non-operation, remove the battery from all components for safety.

⚠ WARNING: Do not use rechargeable silver oxide cell batteries.

Component	Type of Battery	Battery Qty.
Ignitor	AAA	1

Do NOT dispose of batteries in fire. Improper disposal may cause batteries to leak or explode.

INSTALLING FAN (OPTIONAL)

IMPORTANT: Optional fan is not approved for use in IR6 series wall heaters.

⚠ WARNING: Electrical Grounding Instructions
This appliance is equipped with a three-prong (grounding) plug for your protection against shock hazard and should be plugged directly into a properly grounded three-prong receptacle (See Fig. 8).

1. Wall mounted heater must be disconnected from gas supply and removed from wall before installing fan accessory. Contact a qualified service person to do this.
2. Remove fan knock-out panel using a screwdriver (See Fig. 9). Attach Fan to the rear panel of the heater using the four screws provided.

NOTE: Be sure the rocker switch is positioned in the upper right corner. (See Fig. 10).

3. This fan is equipped with manual “MAN” and automatic “AUTO” settings (See Fig. 11 on page 13). Set the rocker switch to “MAN” for manual mode, allowing the fan to continuously run until the rocker switch is returned to the OFF “O” position. Set the rocker switch to “AUTO” for the automatic mode, which will turn the fan on and off based on ambient room temperature. It may take 5 to 10 minutes for the fan to come on when the unit is cold.

NOTE: If any of the original wire as supplied with the appliance must be replaced, it must be replaced with a wire of at least an equal temperature rating. Refer to Fig. 12 on page 13 for wiring diagram.

⚠ CAUTION: Label all wires prior to disconnection when servicing controls. Wiring errors can cause improper and dangerous operation. Verify proper operation after servicing.

Fig. 7 - Installing Ignitor Battery

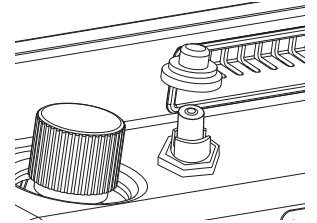


Fig. 8 - Fan Electric Supply

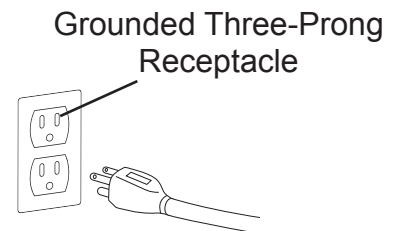


Fig. 9 - Knock-out Panel

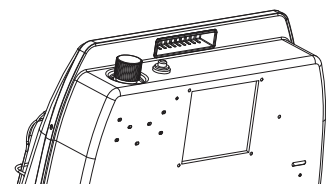
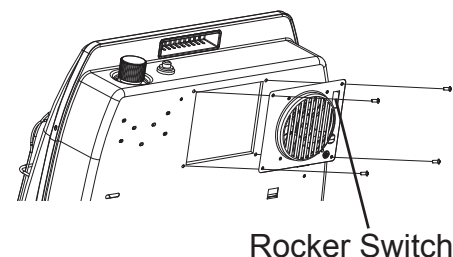
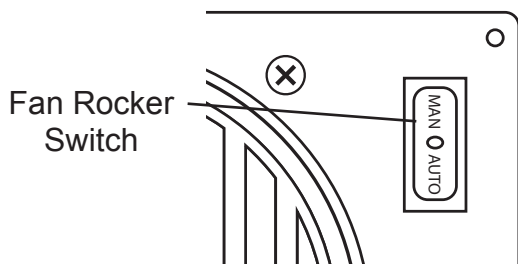


Fig. 10 - Attaching Fan



INSTALLATION

Fig. 11 - Operating Fan



LOCATING HEATER

This heater is designed to be mounted on a wall or on a floor, using the Support Legs (Select Models) included with select models.

For convenience and efficiency, install heater:

1. Where there is easy access for operation, inspection, and service.
2. In the coldest part of room.
3. A minimum of 3' away from furniture and draperies.

FLOOR MOUNTING (SELECT MODELS)

(Cannot be done in bedroom or bathroom)

(Cannot be used for garage and ice-house heaters)

NOTE: This is an optional accessory and is not required for operation of the heater.

Before installing Support Legs to heater base, please make sure you have the following items:

- (2) Support Legs
- (4) Support Leg Screws (M4*15)

1. Set down a blanket onto the table where the heater will be placed for leg installation to prevent scratching of the table and/or the heater.
2. Set back of heater on table with the bottom of heater extending outside the table edge.
3. Fasten Support Legs to heater using Support Leg Screws (Fig.13)

Note: If the heater is to be installed directly on carpeting, tile or other combustible material, other than wood flooring, the appliance shall be installed on a metal or wood panel extending the full width and depth of the appliance.

3. Once positioned, secure heater to the floor using Support Leg Screws (M4*15) and mounting holes found on heater Support Legs (See Fig. 14).

WALL MOUNTING

⚠ WARNING: Failure to position the parts in accordance with these diagrams or failure to use only parts specifically approved with this heater may result in property damage or personal injury.

Mounting Bracket

The mounting bracket is located separately from the unit, but packed inside the same box.

Fig. 12- Fan Wiring Diagram

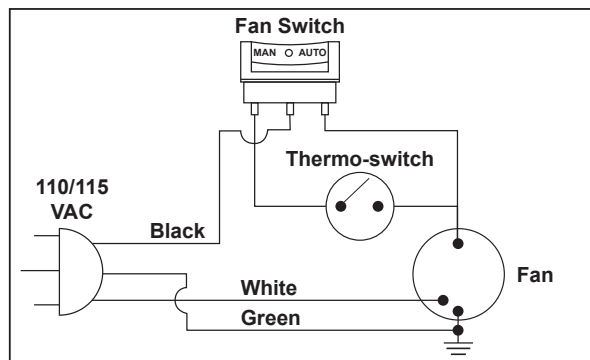


Fig. 13 - Attaching Legs

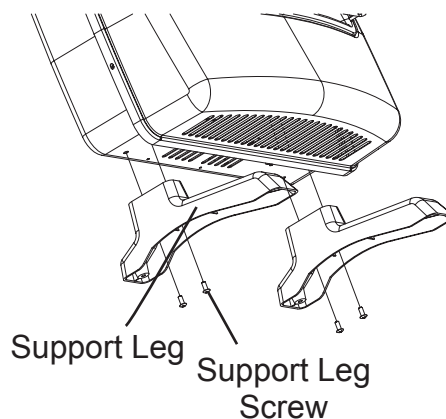
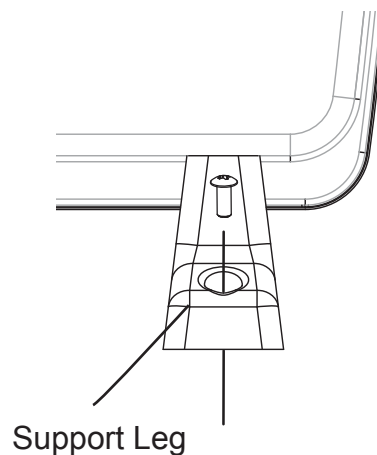


Fig. 14 - Securing Support Leg



INSTALLATION

Methods For Attaching Mounting Bracket To Wall

⚠ WARNING

ELECTRICAL, PLUMBING OR GAS LINES MAY BE IN WALL.
Before cutting, drilling or hammering verify their location. If needed, contact your electrician, plumber or service person.

Use only the last hole on each end of mounting bracket to attach bracket to wall. Attach mounting bracket to a wall only in one of two ways:

1. Attaching to wall stud: This method provides the strongest hold. Insert wood screws (ST.8*45-16) through mounting bracket and into wall studs.
2. Attaching to expansion bracket: This method allows you to attach mounting bracket to hollow walls (wall areas between studs) or to solid walls (concrete or masonry).

Decide which method better suits your needs. Either method will provide a secure hold for the mounting bracket.

Marking Screw Locations

1. Tape mounting bracket to wall where heater will be located. Make sure mounting bracket is level.
2. Mark screw locations on wall (See Fig. 16).
Note: Mark only last hole on each end of mounting bracket. Insert (2) wood screws (ST.8*45-16) total through these holes only.
3. Remove tape and mounting bracket from wall.

Attaching Mounting Bracket To Wall

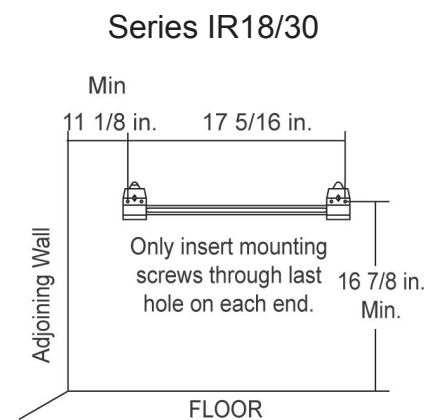
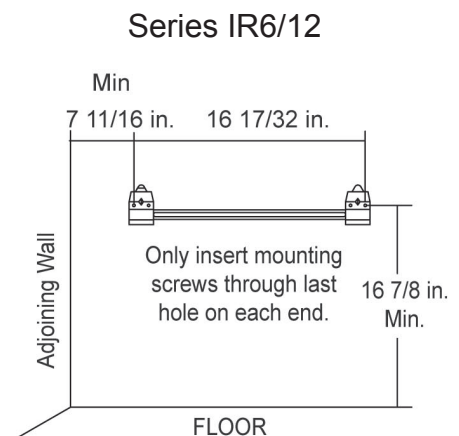
Note: Expansion bracket, wood screws (ST.8*45-16), and wall hanging spacers are in hardware package. The hardware package is provided with heater.

Attaching to Wall Stud Method

For attaching mounting bracket to wall studs:

1. Drill holes at marked locations using 9/64-inch drill bit.
2. Place mounting bracket onto wall. Line up last hole on each end of bracket with holes drilled in wall.
3. Insert wood screws (ST.8*45-16) through bracket and into wall studs.
4. Tighten wood screws (ST.8*45-16) until mounting bracket is firmly fastened to wall studs.
5. Check that the bracket is secure before mounting heater!

Fig. 16 - Mounting Bracket Clearances (inches)



INSTALLATION

Attaching to Expansion Bracket Method

For attaching mounting bracket to hollow walls (wall areas between studs) or solid walls (concrete or masonry):

1. Drill holes at marked locations using 5/16-inch drill bit. For solid walls (concrete or masonry), drill at least 1 inch deep.
2. Fold wall expansion bracket as shown in (See Fig. 17).
3. Insert wall expansion bracket (wings first) into hole. Tap expansion bracket flush to wall.
4. For thin walls (1/2 inch or less), insert expansion bracket tool into expansion bracket. Push expansion bracket tool to “pop” open expansion bracket wings (See Fig. 18).

⚠ IMPORTANT: Do not hammer expansion bracket tool! For thick walls (over 1/2 inch thick) or solid walls, do not pop open wings.

5. Place mounting bracket onto wall. Line up last hole on each end of bracket with expansion bracket.
6. Insert expansion bracket screws (ST4.8*15-16) through wall mounting bracket and into expansion brackets.
7. Tighten expansion bracket screws (ST4.8*15-16) until mounting bracket is firmly fastened to wall.
8. Check that the bracket is secure before mounting heater!

Attaching Wall Hanging Spacers to Heater

⚠ WARNING: Failure to properly install the wall hanging spacers may result in property damage, personal injury or even death.

1. Locate spacer mounting holes on the lower right/left sections of the heater back panel.
2. Secure (2) wall hanging spacers to heater back panel using (2) wall hanging spacer screws (M4*25) (See Fig. 19a).

Placing Heater On Mounting Bracket

1. Locate two horizontal slots on back panel of heater.
2. Place heater onto mounting bracket. Slide horizontal slots onto stand-out tabs on mounting bracket. Be sure spacers rest evenly against wall (See Fig. 19b).

Fig. 17 - Folding the Expansion Bracket

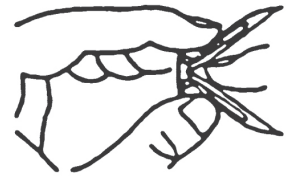


Fig. 18 - Popping Open Anchor Wing For Thin Walls

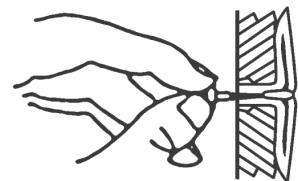


Fig. 19a - Attaching Wall Hanging Spacers to Heater

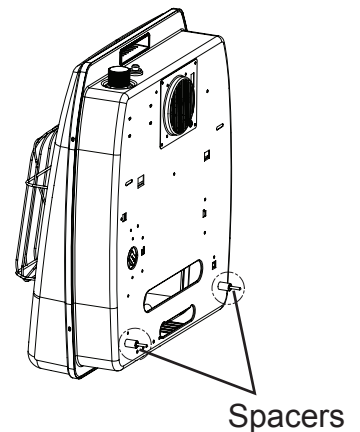
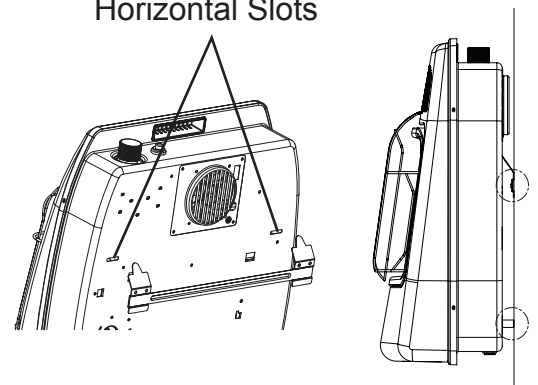


Fig. 19b - Mounting Heater Onto Mounting Bracket

Horizontal Slots



INSTALLATION

CONNECTING TO GAS SUPPLY

- ⚠ WARNING:** A qualified service technician must connect heater to gas supply. Follow all local codes.
- ⚠ IMPORTANT:** This appliance requires a 3/8-inch NPT (National Pipe Thread) inlet connection to the pressure regulator. Never connect the heater to private (non-utility) gas wells, commonly known as wellhead gas.
- ⚠ WARNING:** Do not overtighten gas connections.
- ⚠ CAUTION:** Use only new, black iron or steel pipe. Internally tinned copper tubing may be used in certain areas. Check your local codes. Use pipe of 1/2-in. diameter or greater to allow proper gas volume to heater. If pipe is too small, undue loss of pressure will occur.
- ⚠ CAUTION:** Check your gas line pressure before connecting heater to gas line. Gas line pressure must be a minimum 6" WC for NG and 11" WC for LP with a max pressure of 14"WC. If gas line pressure is higher, heater regulator damage could occur.
- ⚠ CAUTION:** Never connect heater directly to an LP supply. This heater requires an external regulator (not supplied). Install the external regulator between the heater and gas supply.
- ⚠ CAUTION:** Avoid damage to regulator. Hold gas regulator with wrench when connecting into gas piping and/or fittings.
- ⚠ CAUTION:** Use pipe joint sealant that is resistant to gas (Propane or Natural Gas).

Typical Inlet Pipe Diameters

Use 3/8-inch black iron pipe or greater. Installation must include an equipment shutoff valve, union, and plugged 1/8-inch NPT tap.

Locate NPT tap within reach for test gauge hook up. NPT tap must be upstream from heater (see Fig. 20).

- ⚠ IMPORTANT:** Install an equipment shutoff valve in an accessible location. The equipment shutoff valve is for turning on or shutting off the gas to the appliance.

Apply pipe joint sealant lightly to male threads. This will prevent excess sealant from going into pipe. Excess sealant in pipe could result in clogged heater valves.

INSTALLATION

Install sediment trap in supply line as shown (See Fig. 20). Place sediment trap where it is within reach for cleaning. Place sediment trap where trapped matter is not likely to freeze. A sediment trap traps moisture and contaminants. This keeps them from going into heater controls. If sediment trap is not installed or is installed wrong, heater may not run properly.

CHECKING GAS CONNECTIONS

⚠ WARNING: Test all gas piping and connections for leaks after installing or servicing. Correct all leaks immediately.

⚠ WARNING: Never use an open flame to check for a leak. Apply a 50/50 mixture of liquid soap and water to all joints. If bubbles form, there may be a leak. Correct all leaks immediately.

Pressure Testing Gas Supply Piping System Test Pressures In Excess Of 1/2 PSIG (3.5kPa)

The appliance and its appliance main gas valve must be disconnected from the gas supply piping system during any pressure testing of that system at test pressures in excess of ½ psi (3.5 kPa).

Pressure Testing Gas Supply Equal To or less than 1/2 PSIG (3.5kPa)

The appliance must be isolated from the gas supply piping system by closing its equipment shut-off valve during any pressure testing of the gas supply piping system at test pressures equal to or less than ½ psi (3.5 kPa).

Leak Testing Heater Gas Internal Connections

1. Open equipment shutoff valve (See Fig. 21).
2. Make sure control knob of heater is in the OFF position.
3. Open gas supply tank valve (LP systems).
4. Check all joints from equipment shutoff valve to control valve. Apply 50/50 mixture of liquid soap and water to gas joints. If bubbles form, there may be a leak.
5. Light heater (see Operation, page 18). Check all other internal joints for leaks.
6. Turn off heater (see "To Turn Off Gas to Appliance," page 19).

Fig. 20 - Gas Connection

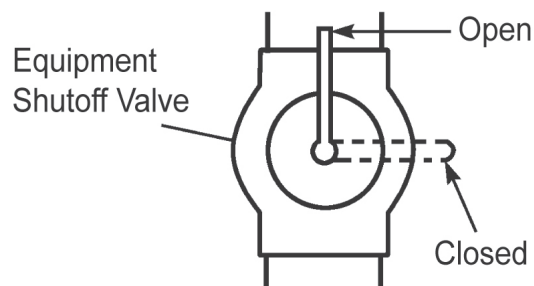
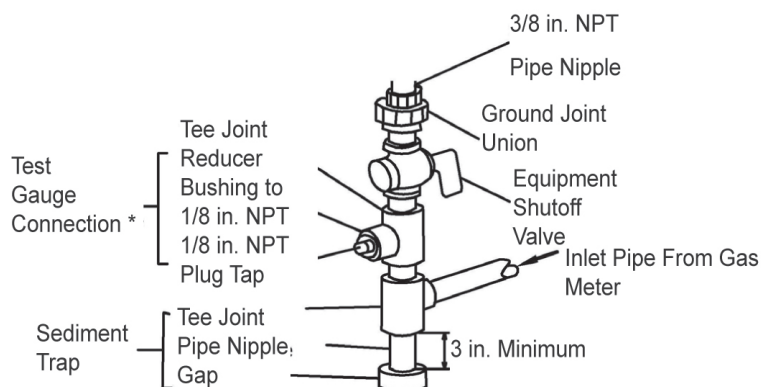


Fig. 21 - Equipment Shut -off Valve

OPERATION

FOR YOUR SAFETY READ BEFORE LIGHTING



WARNING: If you do not follow these instructions exactly, a fire or explosion may result causing property damage, personal injury or loss of life.


- A. This appliance has a pilot which must be lighted using the Ignitor. When lighting the pilot, follow these instructions exactly.
- B. BEFORE LIGHTING smell all around the appliance area for gas. Be sure to smell next to the floor because some gas is heavier than air and will settle on the floor.

WHAT TO DO IF YOU SMELL GAS


- Do not try to light any appliance.
 - Do not touch any electrical switch; do not use any phone in your building.
 - Immediately call your gas supplier from a neighbor's phone. Follow the gas supplier's instructions.
 - If you cannot reach your gas supplier, call the fire department.
- C. Use only your hand to push in or turn the gas control knob. Never use tools. If the knob will not push in or turn by hand, don't try to repair it, call a qualified service technician. Forced or attempted repair may result in a fire or explosion.
 - D. Do not use this appliance if any part has been under water. Immediately call a qualified service technician to inspect the appliance and to replace any part of the control system and any gas control, which has been under water.

LIGHTING INSTRUCTIONS


MANUAL GAS CONTROL

1. STOP! Read the safety information above on this page.
2. Turn off all electric power to the appliance.
3. Push in gas control knob slightly and turn clockwise  to OFF "○" position. (See Fig. 22a)

NOTE: Knob cannot be turned from PILOT "⊗" to OFF "○" unless knob is pushed in slightly. Do not force.

4. Wait (5) minutes to clear out any gas. Then smell for gas, including near the floor. If you smell gas, STOP! Follow "B" in the safety information above. If you don't smell gas, go to the next step.
5. Push in gas control knob slightly and turn counterclockwise  to the PILOT "⊗" position. (See Fig. 23a) Depress control knob.
6. With control knob depressed, push down on the ignitor button until the pilot lights. The pilot is visible, centered below the main burner, behind the glass panel. (See Fig. 24 on page 19)
7. Keep control depressed for (30) seconds after pilot lights. Release control knob.

Note: If pilot goes out repeat steps 3 through 7. Wait (1) minute before attempting to light pilot again.

If after several tries the pilot still goes out, turn the gas control knob clockwise  to the OFF "○" position and call your service technician or gas supplier. Fig. 23a

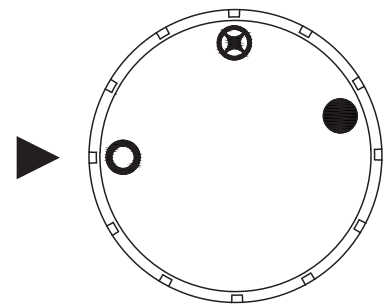
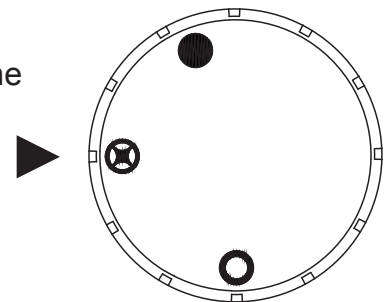



Fig. 22a



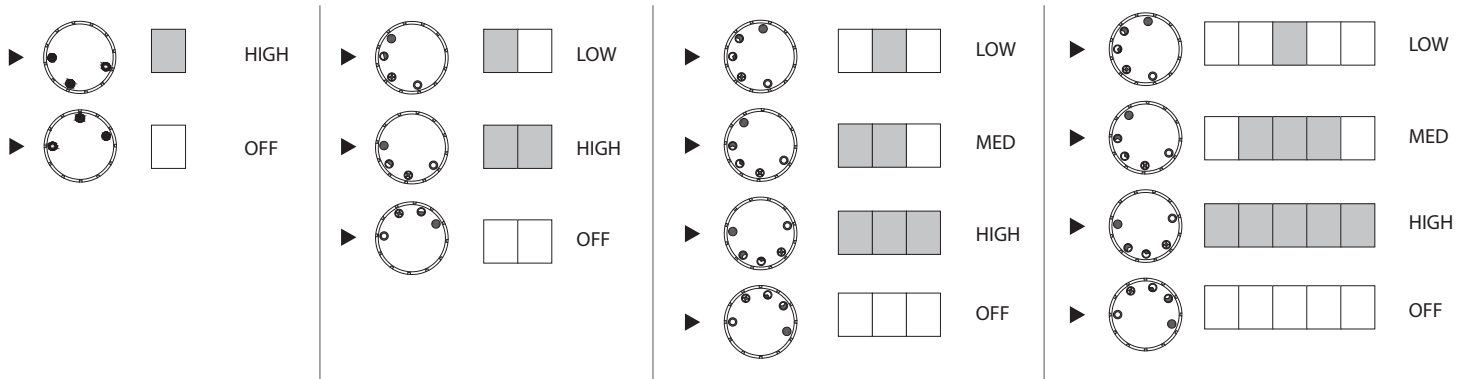
OPERATION

LIGHTING INSTRUCTIONS



If the control knob does not pop up when released, stop and immediately call your service technician or gas supplier.


8. Turn on all electric power to the appliance.
9. Turn control knob counter clockwise  to desired setting.


Burner Patterns (Manual Control)



THERMOSTAT GAS CONTROL

1. STOP! Read the safety information on the previous page.
2. Turn off all electric power to the appliance.
3. Turn control knob clockwise  to "OFF" position. (See Fig. 22b)
4. Wait (5) minutes to clear out any gas. Then smell for gas, including near the floor. If you smell gas, STOP! Follow "B" in the safety information above. If you don't smell gas, go to the next step.
5. Turn knob counterclockwise  to the "PILOT" position. (See Fig. 23b) Depress control knob.
6. With control knob depressed, push down on the ignitor button until the pilot lights. The pilot is visible, centered below the main burner, behind the glass panel. (See Fig. 24 on page 19)
7. Keep control depressed for (30) seconds after pilot lights. Release control knob.

Note: If pilot goes out repeat steps 3 through 7. Wait (1) minute before attempting to light pilot again. If after several tries the pilot still goes out, turn the gas control knob clockwise  to the "OFF" position and call your service technician or gas supplier. If the control knob does not pop up when released, stop and immediately call your service technician or gas supplier.

8. Turn on all electric power to the appliance.
9. Turn control knob counter clockwise  to desired setting.

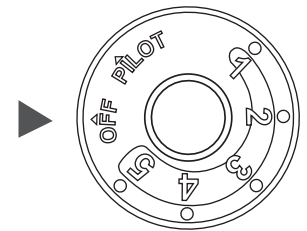


Fig. 22b

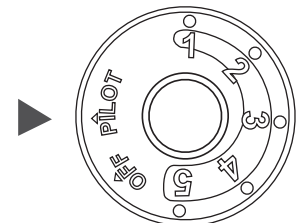


Fig. 23b

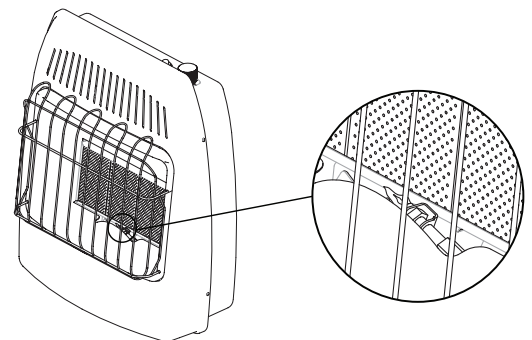
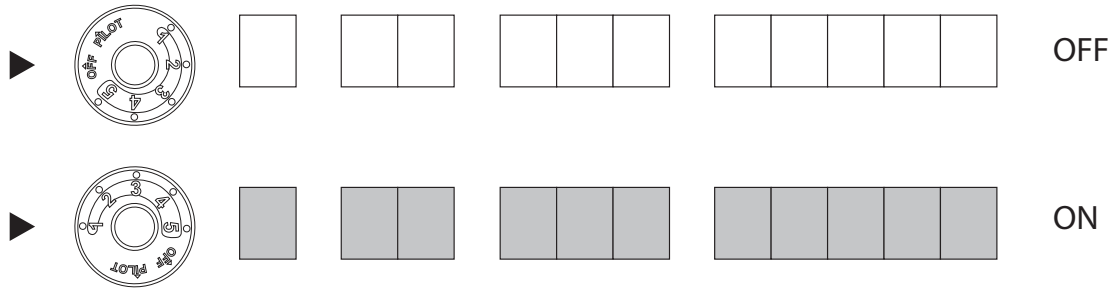


Fig. 24 - Pilot Flame Location

LIGHTING INSTRUCTIONS

Burner Patterns (Thermostatic Control)



TO TURN OFF GAS TO APPLIANCE

1. Turn off all electric power to the appliance if service is to be performed.
2. Push in gas control knob slightly and turn clockwise to "OFF" or "○" position.
DO NOT FORCE.

THERMOSTATIC CONTROL OPERATION (SELECT MODELS)

The thermostat used on this heater senses the room temperature. At times the room may exceed the set temperature. If so, the burner will shut off. The burner will cycle back on when room temperature drops below the set temperature. The control knob can be set to any comfort level between "HIGH" (5) and "LOW"(1) (See Fig. 25).

MANUAL CONTROL OPERATION

Manual valves remain burning in the desired setting until manually turned to OFF "○"(See Fig. 25).

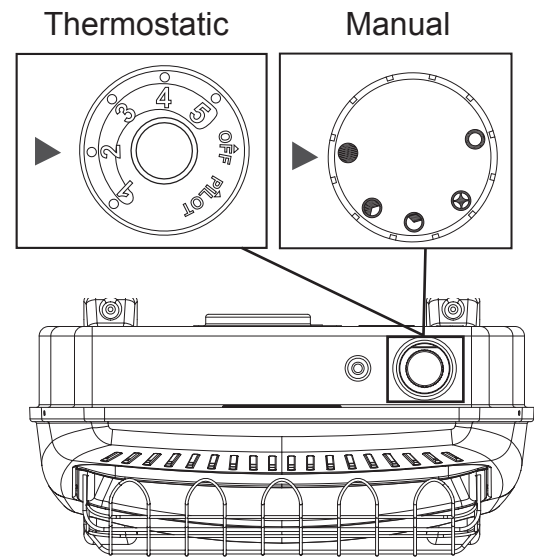


Fig. 25 - Control Knob Position

OPERATION

INSPECTING BURNERS

Check pilot flame pattern daily when in use and at least yearly by a qualified service agency.

PILOT FLAME PATTERN

Fig. 26 shows a correct pilot flame pattern. Fig. 27 shows an incorrect pilot flame pattern. The incorrect pilot flame is not touching the thermocouple. This will cause the thermocouple to cool, which shuts the heater off. If pilot flame pattern is incorrect:

- turn heater off (see “To Turn Off Gas to Appliance” on page 19)
- see Troubleshooting pages 23 through 26.

Fig. 26 - Correct Pilot Flame Pattern

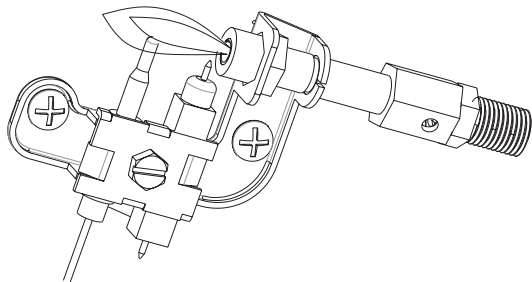
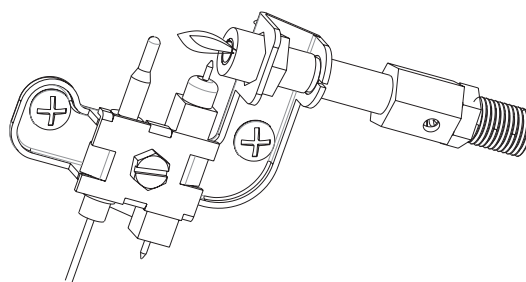


Fig. 27 - Incorrect Pilot Flame Pattern



⚠ WARNING: If yellow tipping occurs, your heater could produce increased levels of carbon monoxide. If burner flame pattern shows yellow tipping, follow instructions under BURNER FLAME PATTERN, page 21.

Notice: Do not mistake orange flames with yellow tipping. Dirt or other fine particles enter the heater and burn causing brief patches of orange flame.

BURNER FLAME PATTERN

Fig. 28 shows a correct burner flame pattern. Fig. 29 shows an incorrect burner flame pattern with lifting, and excessive flame height.

If burner flame is incorrect:

- turn heater off (see “To Turn Off Gas to Appliance”, page 19).
- see Troubleshooting, pages 23 through 26.

Fig. 28 - Correct/Normal Flame Pattern with short flames with Control Knob Set to High Flame (5)

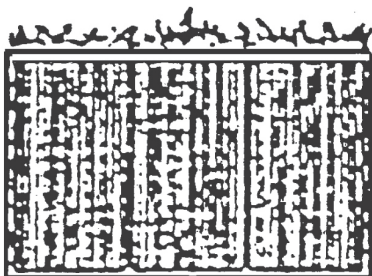
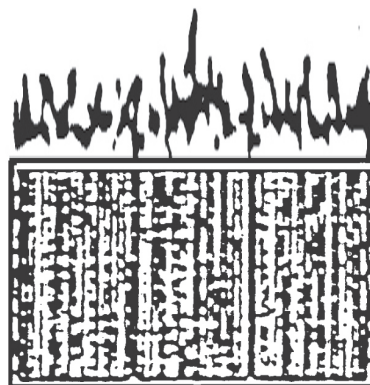


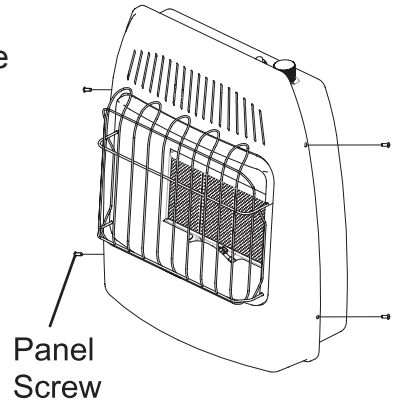
Fig. 29 - Incorrect/Abnormal Flame Pattern with tall flames with Control Knob Set to High Flame (5)



CARE AND MAINTENANCE

NOTE: Before servicing you will need to remove the front panel of the heater. There are 4 Philips head screws, 2 on the left side and 2 on the right, securing the front panel to the heater (See Fig. 30). Always allow the unit to cool for at least thirty minutes before attempting to remove the front panel.

Fig. 30 - Front Panel Removal



⚠ WARNING: Turn off heater, unplug electrical cord and let cool before servicing.

⚠ CAUTION: You must keep control areas, burner, and circulating air passageways of heater clean. Inspect these areas of heater before each use. Have heater inspected yearly by a qualified service person. Heater may need more frequent cleaning due to excessive lint from carpeting, bedding material, pet hair, etc.

⚠ WARNING: Failure to keep the primary air opening(s) of the burner(s) clean may result in sooting and property damage.

CLEANING ODS/PILOT AND BURNER

Use a vacuum cleaner, pressurized air, or a small, soft bristled brush to clean tile face, orifice and primary burner. Look into burner opening and ensure that it is clean.

CLEANING BURNER PILOT AIR INLET HOLE

We recommend that you clean the unit every three months or after 2,500 hours of operation. We also recommend that you keep the burner tube and pilot assembly clean and free of dust and dirt. To clean these parts we recommend using compressed air no greater than 30 PSI. You can use a vacuum cleaner in the blow position. If using compressed air in a can, please follow the directions on the can. If you don't follow directions on the can, you could damage the pilot assembly.

⚠ CAUTION: Never use a wire, needle, or similar object to clean ODS/pilot. This can damage ODS/ pilot unit.

1. Shut off the unit, including the pilot. Allow the unit to cool for at least thirty minutes.
2. Remove 4 screws - 2 screws on each side of the front panel.
3. Pull front panel forward.
4. Blow air through the ports/slots and holes in the burner. Also clean the pilot assembly. A yellow tip on the pilot flame indicates dust and dirt in the pilot assembly. There is a small pilot air inlet hole about two inches from where the pilot flame comes out of the pilot assembly (see Fig. 26 & 27 on page 20). With the unit off, lightly blow air through the air inlet hole. You may blow through a drinking straw if air is not available.
5. Replace front panel when completed, using the screws removed.

CLEANING CABINET AIR PASSAGEWAYS

Use a vacuum cleaner or pressurized air to clean.

CLEANING FAN (Select models)

Carefully use a vacuum cleaner or compressed air to keep fan compartment and blades free of dust and debris.

NOTE: The fan motor is pre-lubricated for extended bearing life and requires no further lubrication.

CLEANING EXTERIOR

Use a soft cloth dampened with a mild soap and water mixture. Wipe the cabinet to remove dust.

TROUBLESHOOTING

⚠ WARNING: If you smell gas:

- Shut off gas supply.
- Do not try to light any appliance.
- Do not touch any electrical switch; do not use any phone in your building.
- Immediately call your gas supplier from a neighbor's phone. Follow the gas supplier's instructions.
- If you cannot reach your gas supplier, call the fire department.

IMPORTANT: Operating heater where impurities in air exist may create odors. Cleaning supplies, paint, paint remover, cigarette smoke, cements and glues, new carpet or textiles, etc., create fumes. These fumes may mix with combustion air and create odors.

⚠ WARNING: Make sure that power is turned off before proceeding.

⚠ WARNING: Turn off and let cool before servicing. Only a qualified service person should service and repair heater.

PROBLEM	POSSIBLE CAUSE	CORRECTIVE ACTION
When Ignitor is pressed in, there is no spark at ODS/ pilot.	<ol style="list-style-type: none"> 1. Ignitor electrode is positioned wrong. 2. Ignitor electrode is broken. 3. Ignitor electrode is not connected to ignitor cable. 4. Ignitor cable is pinched or wet. 5. Damaged ignitor cable. 6. Bad piezo ignitor or ignition module. 7. Bad battery. 	<ol style="list-style-type: none"> 1. Replace ODS. 2. Replace ODS. 3. Replace ignitor cable 4. Free ignitor cable if pinched by any metal or tubing. Keep ignitor cable dry. 5. Replace ignitor cable. 6. Replace piezo ignitor or ignition module. 7. Replace the battery.
Unit shuts off after running a few minutes.	<ol style="list-style-type: none"> 1. Gas supply is turned off or equipment shutoff valve is closed. 2. Control knob not fully pressed in while pressing Ignitor. 3. Air in gas lines when installed. 4. ODS / pilot is clogged. 5. Control knob not in PILOT position. 6. Depleted gas supply (propane) 	<ol style="list-style-type: none"> 1. Turn on gas supply or open equipment shutoff valve. 2. Fully press in control knob while pressing Ignitor. 3. Continue holding down control knob. Repeat igniting operation until air is removed. 4. Clean ODS/pilot (see Care and Maintenance, page 21) or replace ODS/pilot assembly. 5. Turn control knob to PILOT position. 6. Contact local propane/LP gas company.

TROUBLESHOOTING

PROBLEM	POSSIBLE CAUSE	CORRECTIVE ACTION
ODS/pilot lights but flame goes out when control knob is released.	<ol style="list-style-type: none"> Control knob is not fully pressed in. Control knob is not pressed in long enough. Equipment shutoff valve is not fully open. Thermocouple connection is loose. Thermocouple damaged. Control valve damaged. Inlet gas pressure is too high 	<ol style="list-style-type: none"> Press in control knob fully. After ODS/pilot lights, keep control knob pressed in 30-60 seconds. Fully open equipment shutoff valve. Hand tighten until snug, and then tighten $\frac{1}{4}$ turn more. Replace thermocouple. Contact customer service. Contact your gas supplier to check and adjust the inlet pressure.
Burner(s) does not light after ODS/pilot is lit.	<ol style="list-style-type: none"> Thermostat setting too low. Burner orifice is clogged. Burner orifice diameter is too small. Inlet gas pressure is too low. 	<ol style="list-style-type: none"> Turn thermostat knob to a higher setting. Clean burner orifice (see Care and Maintenance, page 21) or contact customer service. Contact customer service. Contact your gas supplier.
Delayed ignition of burner(s).	<ol style="list-style-type: none"> Manifold pressure is too low. Burner orifice is clogged. 	<ol style="list-style-type: none"> Contact your gas supplier. Clean burner (see Care and Maintenance, page 21) or contact customer service.
Burner backfiring during combustion.	<ol style="list-style-type: none"> Burner orifice is clogged or damaged. Burner is damaged. Gas regulator is damaged. 	<ol style="list-style-type: none"> Clean burner orifice (see Care and Maintenance, page 21) or contact customer service. Contact dealer or customer service. Replace gas regulator.
High yellow flame during burner combustion	<ol style="list-style-type: none"> Not enough air. Gas regulator is defective. 	<ol style="list-style-type: none"> Check burner for dirt and debris. If found, clean burner (see Care and Maintenance, page 21). Replace gas regulator.
Gas odor during combustion.	<ol style="list-style-type: none"> Foreign matter between control valve and burner. Gas leak. (See Warning Statement at top of page 23). 	<ol style="list-style-type: none"> Take apart gas tubing and remove foreign matter. Locate and correct all leaks (see "Checking Gas Connections," page 17).
Heater produces a clicking/ticking noise just after burner is lit or shut off.	<ol style="list-style-type: none"> Metal is expanding while heating or contracting while cooling. 	<ol style="list-style-type: none"> This is common with most heaters. If noise is excessive, contact qualified service technician.

TROUBLESHOOTING

PROBLEM	POSSIBLE CAUSE	CORRECTIVE ACTION
White powder residue forming within burner box or on adjacent walls or furniture.	1. When heated, the vapors from furniture polish, wax, carpet cleaners, etc., turn into white powder residue.	1. Turn heater off when using furniture polish, wax, carpet cleaner or similar products.
Heater produces unwanted odors.	1. Heater is burning vapors from paint, hair spray, glues, etc. See IMPORTANT statement, page 22. 2. Gas leak. See Warning Statement, page 23. 3. Low fuel supply.	1. Ventilate room. Stop using odor causing products while heater is running. 2. Locate and correct all leaks (see "Checking Gas Connections," page 17). 3. Refill supply tank (Propane /LP models).
Heater shuts off in use (ODS operates).	1. Not enough fresh air is available. 2. Low line pressure. 3. ODS/pilot is partially clogged.	1. Open window and/or door for ventilation. 2. Contact local gas supplier. 3. Clean ODS/pilot (see Care and Maintenance, page 22).
Gas odor exists even when control knob is in OFF position.	1. Gas leak. See Warning Statement at top of page 22. 2. Control valve is defective.	1. Locate and correct all leaks (see "Checking Gas Connections", page 17). 2. Contact customer service.
Moisture/condensation noticed on windows.	1. Not enough combustion/ventilation air.	1. Refer to "Air for Combustion and Ventilation" requirements, page 8.
Slight smoke or odor during initial operation	1. Residues from manufacturing process.	1. Problem will stop after a few hours of operation.
Heater produces a whistling noise when burner is lit.	1. Turning control knob to high (5) position when burner is cold. 2. Air in gas line. 3. Air passageways on heater are blocked. 4. Dirty or partially clogged burner orifice.	1. Turn control knob to low (1) position and let warm up for a minute. 2. Operate burner until air is removed from line. Have gas line checked by local propane/LP gas company. 3. Observe minimum installation clearances (Fig. 3, page 11) 4. Clean burner (see Care and Maintenance, page 22) or contact customer service.

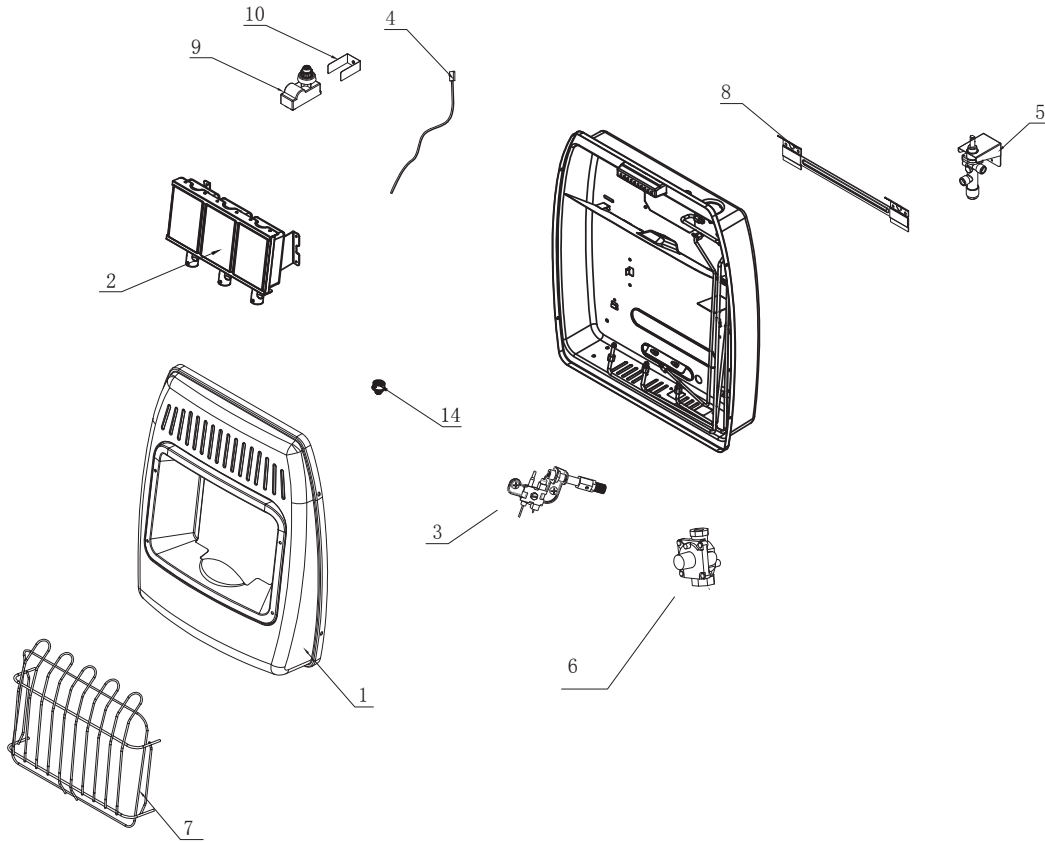
TROUBLESHOOTING

PROBLEM	POSSIBLE CAUSE	CORRECTIVE ACTION
Fan is not spinning. (Select models)	<ol style="list-style-type: none">1. There is no power to the fan.2. Fan is set to "AUTO".3. Fan motor is bad.	<ol style="list-style-type: none">1. Verify fan is plugged in and set to "MAN" or "AUTO".2. Allow 5-10 minutes for fan to engage.3. Replace fan.
Fan is making a loud noise. (Select models)	<ol style="list-style-type: none">1. Fan housing or blades are dirty.2. Fan rotation is blocked.3. Defective fan.	<ol style="list-style-type: none">1. See "Cleaning Fan", page 22.2. Verify wiring is not in fan path.3. Replace fan.

REPLACEMENT PARTS LIST

For replacement parts, call our customer service department at 1-877-447-4768, 8:30 a.m. – 4:30 p.m., CST, Monday – Friday.

⚠ WARNING: Only use genuine replacement parts from the GHP Group, Inc. Using any parts other than the original replacement parts may result in property damage, personal injury or even death.



ITEM No.	DESCRIPTION	QTY	PART NO.			
			IR6P/6N Series	IR12P/12N Series	IR18P/18N Series	IR30P/30N Series
1	Front Panel Assembly	1	AQ000090B	AQ000090	AQ000060	AQ000001
2	Burner Assembly	1	AQ000098	AQ000368 LP AQ000380 NG	AQ000370 LP AQ000381 NG	AQ000371 LP AQ000382 NG
3	ODS Assembly (Complete)					
3-1	ODS - (LP) Propane Pilot	1	AQ000121	AQ000121-1	AQ000121-2	AQ000121-2
3-2	ODS - (NG) Natural Gas Pilot	1	AQ000120	AQ000120-1	AQ000120-2	AQ000120-2
4	ODS Connector Wire	1	AQ000110	AQ000110	AQ000052	AQ000052
5	Manual Gas Valve	1	AQ000112	AQ000327	AQ000363	AQ000363 - LP AQ000369 - NG
6-1	NG Regulator Assembly	1	AQ000073F	AQ000073H	AQ000073I	AQ000073J
6-2	LP Regulator Assembly	1	AQ000073G	AQ000073E	AQ000073C	AQ000073A
7	Front Grille	1	AQ000099	AQ000099	AQ000063	AQ000023
8	Wall Mounting Bracket	1	AQ000108	AQ000108	AQ000006	AQ000006
9	Ignitor Module	1	AQ000221	AQ000221	AQ000221	AQ000221
10	Ignitor Bracket	1	AQ000019	AQ000019	AQ000019	AQ000019
11	Support Leg (Select Models)	2	AQ000038*	AQ000038*	AQ000038*	AQ000038*
12	Fan Assembly (Select Models)	1	N/A	AQ000232*	AQ000232*	AQ000232*
13	Hardware Pack	1	AQ000233*	AQ000233*	AQ000233*	AQ000233*
14-1	Replacement Orifice (LP)	1	AQ000201 (1 per unit)	AQ000326 (2 per unit)	AQ000326 (3 per unit)	AQ000361 (2 per unit) AQ000326 (3 per unit)
14-2	Replacement Orifice (NG)	1	AQ000200 (1 per unit)	AQ000333 (2 per unit)	AQ000333 (3 per unit)	AQ000362 (2 per unit) AQ000333 (3 per unit)

* Item/version not shown in exploded parts diagram

WARRANTY

The manufacturer warrants that your new product is free from manufacturing and material defects for a period of one year from date of purchase, subject to the following conditions and limitations.

1. This product must be installed and operated at all times in accordance with the instructions furnished with the product. Any alteration, willful abuse, accident, or misuse of the product shall nullify this warranty.
2. This warranty is non-transferrable, and is made to the original owner, provided that the purchase was made through an authorized supplier of the manufacturer.
3. This warranty is limited to the repair or replacement of part(s) found to be defective in material or workmanship, provided that such part(s) have been subjected to normal conditions of use and service, after said defect is confirmed by the manufacturer's inspection.
4. The manufacturer may, at its discretion, fully discharge all obligations with respect to this warranty by refunding the wholesale price of the defective part(s).
5. Any installation, labor, construction, transportation, or other related costs/expenses arising from defective part(s), repair, replacement, or otherwise of same, will

not be covered by this warranty, nor shall the manufacturer assume responsibility for same. Further, the manufacturer will not be responsible for any incidental, indirect, or consequential damages, except as provided by law.

6. All other warranties - expressed or implied - with respect to the product, its components and accessories, or any obligations/liabilities on the part of the manufacturer are hereby expressly excluded.
7. The manufacturer neither assumes, nor authorizes any third party to assume, on its behalf, any other liabilities with respect to the sale of this product.
8. The warranties as outlined within this document do not apply to non-manufacturer accessories used in conjunction with the installation of this product.

This warranty is void if:

- a) The product has been operated in atmospheres contaminated by chlorine, fluorine or other damaging chemicals.
- b) The product is subjected to prolonged periods of dampness or condensation.
- c) Any alteration, willful abuse, accident, or misuse of the product.

IF WARRANTY SERVICE IS NEEDED . . .

- 1) Contact customer service at 1-877-447-4768, 8:30 a.m. – 4:30 p.m., CST, Monday – Friday. Make sure you have your warranty, your sales receipt, and the model/serial number of your product.
- 2) DO NOT ATTEMPT TO DO ANY SERVICE WORK YOURSELF.

TO REGISTER THE WARRANTY ON YOUR HEATER, PLEASE FILL OUT THIS CARD COMPLETELY AND MAIL WITHIN 14 DAYS FROM DATE OF PURCHASE OR REGISTER ON-LINE AT www.ghpgroupinc.com

NAME: _____ PHONE: () _____ EMAIL: _____
ADDRESS: _____ CITY: _____ STATE: _____ ZIP: _____
MODEL: _____ SERIAL #: _____ DATE PURCHASED: _____
DEALER PURCHASED FROM: _____ TYPE OF STORE: _____
CITY & STATE WHERE PURCHASED: _____ PRICE PAID: _____

Please Take a Minute To Give Us Your Answers To The Following Questions.

All Responses Are Used Solely For Market Research And Are Held In Strict Confidence.

Who primarily decided this purchase? Male Female 18-24 25-39 40-59 60 and over
Purpose of Purchase? _____
Do you own any other portable heaters? Yes No If yes, type _____ brand _____
How do you intend to use your new heater? Construction Site Farm Warehouse/Commercial Garage/Outbuilding Other
How did you become aware of this heater? In-Store Display Newspaper Ad Magazine Ad Friend/Relative
 TV Commercial Store Salesperson Other _____
What made you select this heater? Style Size/Portability Price Package Brand Other _____
Do you: own rent Would you recommend this heater to a friend? Yes No
Please give us your comments: _____

THANK YOU FOR COMPLETING THIS FORM!

Information will be held confidential.

WARRANTY REGISTRATION

IMPORTANT: We urge you to fill out your warranty registration card within fourteen (14) days of date of purchase. You can also register your warranty on the internet at www.ghpgroupinc.com. Complete the entire serial number. Retain this portion of the card for your records.

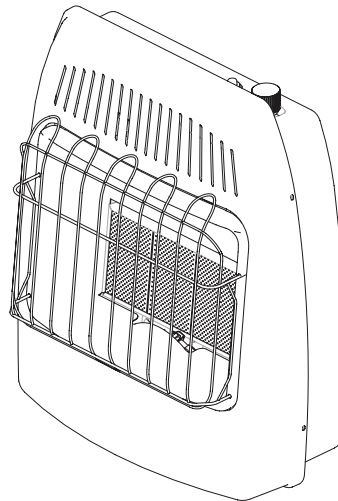


GHP Group, Inc.
6440 W Howard St
Niles, IL 60714-3302

Tel: (877) 447-4768
www.ghpgroupinc.com

SAVE THIS CARD!

GHP Group, Inc.
6440 W Howard St
Niles, IL 60714-3302



Propano

IR6PTDG-1/PMDG-1
IR12PTDG-1/PMDG-1
IR18PTDG-1/PMDG-1
IR30PTDG-1/PMDG-1

Gas Natural

IR6NTDG-1/NMDG-1
IR12NTDG-1/NMDG-1
IR18NTDG-1/NMDG-1
IR30NTDG-1/NMDG-1



US

ANS Z21.11.2-2013

Calentadores de habitación accionados por gas
Volumen II - Calentadores de habitación no ventiladas

⚠ ADVERTENCIA: Este aparato está equipado para gas (natural o propano). No se permite la conversión.

⚠ ADVERTENCIA: SI NO SE SIGUE CON EXACTITUD LA INFORMACIÓN EN ESTE MANUAL, PUEDE RESULTAR UN INCENDIO O EXPLOSIÓN OCASIONANDO DAÑOS A LA PROPIEDAD, LESIONES PERSONALES O LA MUERTE.

- No almacene ni use gasolina ni otros vapores y líquidos inflamables en la vecindad de este o cualquier otro aparato.

QUÉ HACER SI HUELE A GAS

- No trate de encender ningún aparato.
- No toque ningún interruptor eléctrico; no use ningún teléfono en su edificio.
- Llame de inmediato a su proveedor de gas del teléfono de un vecino. Siga las instrucciones del proveedor de gas.
- Si no puede contactar a su proveedor de gas, llame al Cuerpo de Bomberos.

- La instalación y el servicio deben ser hechos por un electricista calificado, agencia de servicio o el proveedor de gas.

Este es un calefactor accionado por gas no ventilado. Utiliza aire (oxígeno) de la habitación en la cual está instalado. Deben tomarse medidas para una combustión y aire de ventilación adecuados. Consulte la sección Aire para la combustión y ventilación, página 8 de este manual.

**INSTALADOR: Deje este manual con el dispositivo.
CONSUMIDOR: Conserve este manual para uso futuro.**

Este aparato debe instalarse en una casa (móvil) prefabricada localizada permanentemente, de un mercado de piezas de repuesto, donde no esté prohibida por los códigos locales.

Este aparato es solo para usar con el tipo de gas indicado en las características de placa. Este aparato no es convertible con otros gases.



¿Tiene preguntas, problemas, o faltan piezas? Antes de regresar a su tienda minorista, llame a nuestro departamento de servicio al cliente al 1-877-447-4768, de lunes a viernes de 8:30 a.m. a 4:30 p.m. hora estándar del Centro, o escribanos a customerservice@ghpgroupinc.com.

TABLA DE CONTENIDO

Información de seguridad importante.....	4
Características del producto.....	6
Aire para la combustión y ventilación.....	8
Instalación.....	11
Operación.....	18
Cuidado y mantenimiento.....	22
Resolución de fallas.....	23
Piezas de repuesto.....	27
Garantía.....	28

⚠ ADVERTENCIA: Lea las Instrucciones de instalación y operación antes de usar este aparato.
IMPORTANTE: Lea cuidadosamente todas las instrucciones y advertencias antes de comenzar la instalación. No seguir estas instrucciones puede resultar en posibles lesiones a las personas o peligro de incendio y anulará la garantía.

ESPECIFICACIONES DEL PRODUCTO

SERIE	IR6PTDG-1/PMDG-1	IR12PTDG-1/PMDG-1
BTU MÁX	6,000	12,000
Tipo de combustible	Propano	Propano
Ignición	Electrónica de botón de presión	Electrónica de botón de presión
Presión del distribuidor	10 pulg. de columna de agua	10 pulg. de columna de agua
Presión de gas de entrada		
Máximo	14 pulg. de columna de agua	14 pulg. de columna de agua
*Mínimo (*Para fines de ajuste de entrada)	11 pulg. de columna de agua	11 pulg. de columna de agua
Dimensiones (pulg.) (Alto x Ancho x Diámetro)	20.00 pulg. x 17.32 pulg. x 9.49 pulg.	20.00 pulg. x 17.32 pulg. x 9.49 pulg.
Capacidades nominales del ventilador (Modelos seleccionados)	No disponible	120V/60Hz, 18W, 0.15A

SERIE	IR18PTDG-1/PMDG-1	IR30PTDG-1/PMDG-1
BTU MÁX	18,000	30,000
Tipo de combustible	Propano líquido	Propano líquido
Ignición	Electrónica de botón de presión	Electrónica de botón de presión
Presión del distribuidor	10 pulg. de columna de agua	10 pulg. de columna de agua
Presión de gas de entrada		
Máximo	14 pulg. de columna de agua	14 pulg. de columna de agua
*Mínimo (*Para fines de ajuste de entrada)	11 pulg. de columna de agua	11 pulg. de columna de agua
Dimensiones (pulg.) (Alto x Ancho x Diámetro)	24.02 pulg. x 20.94 pulg. x 10.08 pulg.	24.09 pulg. x 28.07 pulg. x 10.51 pulg.
Capacidades nominales del ventilador (Modelos seleccionados)	120V/60Hz, 18W, 0.15A	120V/60Hz, 18W, 0.15A

SERIE	IR6NTDG-1/NMDG-1	IR12NTDG-1/NMDG-1
BTU MÁX	6,000	12,000
Tipo de combustible	Gas natural	Gas natural
Ignición	Electrónica de botón de presión	Electrónica de botón de presión
Presión del distribuidor	5 pulg. de columna de agua	5 pulg. de columna de agua (IR12NTDG-1) 4 pulg. de columna de agua (IR12NMDG-1)
Presión de gas de entrada		
Máximo	14 pulg. de columna de agua	14 pulg. de columna de agua
*Mínimo (*Para fines de ajuste de entrada)	6 pulg. de columna de agua	6 pulg. de columna de agua
Dimensiones (pulg.) (Alto x Ancho x Diámetro)	20.00 pulg. x 17.32 pulg. x 9.49 pulg.	20.00 pulg. x 17.32 pulg. x 9.49 pulg.
Capacidades nominales del ventilador (Modelos seleccionados)	No disponible	120V/60Hz, 18W, 0.15A

SERIE	IR18NTDG-1/NMDG-1	IR30NTDG-1/NMDG-1
BTU MÁX	18,000	30,000
Tipo de combustible	Gas natural	Gas natural
Ignición	Electrónica de botón de presión	Electrónica de botón de presión
Presión del distribuidor	5 pulg. de columna de agua (IR18NTDG-1) 4 pulg. de columna de agua (IR18NMDG-1)	5 pulg. de columna de agua (IR30NTDG-1) 4.5 pulg. de columna de agua (IR30NMDG-1)
Presión de gas de entrada		
Máximo	14 pulg. de columna de agua	14 pulg. de columna de agua
*Mínimo (*Para fines de ajuste de entrada)	6 pulg. de columna de agua	6 pulg. de columna de agua
Dimensiones (pulg.) (Alto x Ancho x Diámetro)	24.02 pulg. x 20.94 pulg. x 10.08 pulg.	24.09 pulg. x 28.07 pulg. x 10.51 pulg.
Capacidades nominales del ventilador (Modelos seleccionados)	120V/60Hz, 18W, 0.15A	120V/60Hz, 18W, 0.15A



INFORMACIÓN DE SEGURIDAD IMPORTANTE

IMPORTANTE: Por favor, lea cuidadosa y completamente este manual del propietario antes de intentar ensamblar, operar o darle servicio a este calefactor. El uso inapropiado de este calefactor puede causar lesiones graves o la muerte por quemaduras, incendio, explosión, choque eléctrico y envenenamiento por monóxido de carbono.

La instalación y reparación serán hechos solamente por una persona de servicio calificada. El dispositivo debe ser inspeccionado antes de su uso al menos una vez al año por una persona de servicio profesional. Se puede necesitar limpieza más frecuente debido a pelusa excesiva de alfombras, ropa de cama, etc. Es imperativo que se mantengan limpios los compartimientos de control, quemadores y los pasillos de aire circulante del dispositivo.

- ⚠ ADVERTENCIA:** Cualquier cambio a este calefactor o a sus controles puede ser peligroso.
- ⚠ ADVERTENCIA:** Supervise cuidadosamente a niños pequeños cuando estén en la habitación con el calefactor.
- ⚠ ADVERTENCIA:** El calefactor se calienta mucho cuando está en funcionamiento. Los niños y adultos deben ser alertados de los peligros de las altas temperaturas superficiales y deben permanecer lejos para evitar quemaduras o ignición de la ropa. El calefactor permanecerá caliente durante un tiempo después de apagarse. Deje que las superficies enfrién antes de tocarlo.
- ⚠ ADVERTENCIA:** Asegúrese de que cualquier panel, pantalla de seguridad o protección retiradas para darle servicio a un aparato es instalarse de nuevo antes de operar el calefactor.
- ⚠ ADVERTENCIA:** Mantenga el área del aparato despejada y libre de materiales combustibles, gasolina y otros vapores y líquidos inflamables.
- ⚠ ADVERTENCIA:** No coloque ropa ni otro material inflamable en o cerca del aparato. Nunca coloque ningún objeto en el calefactor.
- ⚠ ADVERTENCIA:** Debido a las altas temperaturas, ubique este aparato fuera del tráfico y lejos de muebles y cortinajes.

Este aparato está previsto para calefacción complementaria.

Este aparato puede ser usado con propano o gas natural. Es enviado de la fábrica ajustado para ser usado con propano.

PELIGRO DE ENVENENAMIENTO CON MONÓXIDO DE CARBONO: Las señales tempranas de envenenamiento con monóxido de carbono se parecen a la gripe con dolores de cabeza, mareos o náusea. Si tiene estas señales, el calefactor puede no estar funcionando adecuadamente. ¡Respire aire fresco de inmediato! Haga que se le de servicio al calefactor. Algunas personas resultan más afectadas que otras por el monóxido de carbono. Estas incluyen mujeres embarazadas, personas con enfermedades del corazón o pulmones, personas anémicas, personas bajo la influencia del alcohol y las que viven a grandes altitudes.

GAS NATURAL Y PROPANO/PL: El gas natural y el propano/PL son inodoros. Un agente generador de olor se agrega al gas. El agente ayuda a detectar una fuga de gas. Sin embargo, el olor agregado al gas puede desaparecer. El gas puede estar presente a pesar de que no se sienta olor. Asegúrese de leer y comprender todas las advertencias. Conserve este manual para referencia. Es su guía para operar este calefactor de forma segura.

⚠ ADVERTENCIA:

Si se instala el calentador en un garaje residencial, él debe sujetarse firmemente a la pared, con un mínimo de 18 pulgadas (457mm) por encima del piso. El calentador debe estar situado en un lugar en el que se protegido contra cualquier posibilidad de daños causados por un vehículo en movimiento y otros peligros.

Levantando el calentador se reducir pero no eliminar la posibilidad de iluminación vapor de cualquier los líquidos inflamables que han almacenado incorrectamente o derrama accidentalmente. Si el olor de la gasolina está presente, no utilice este calentador hasta que el área ha sido ventilado adecuadamente.



INFORMACIÓN DE SEGURIDAD



ADVERTENCIA: No use ningún accesorio no aprobado para uso con este calefactor.

PROPUESTA 65 DE CALIFORNIA

Los combustibles usados en aparatos accionados por gas u aceite y los productos de combustión de tales combustibles contienen sustancias químicas que el Estado de California sabe producen cáncer o defectos de nacimiento u otros daños reproductivos. Este producto contiene sustancias químicas, incluyendo plomo y compuestos de plomo, que el Estado de California sabe producen cáncer o defectos de nacimiento u otros daños reproductivos. **Lávese las manos después de su manipulación.**

1. No coloque el(los) tanque(s) de suministro de propano/PL dentro de ninguna estructura. Coloque el(los) tanque(s) de suministro de propano/PL en exteriores.
2. Solamente los de la Serie IR6 pueden ser instalados en dormitorios o baños. Cuando se instale en un dormitorio o baño, el calefactor DEBE ser montado en la pared (Ver Montaje en pared, página 13). Todos los otros modelos no pueden ser instalados en un baño o dormitorio.
3. Este calefactor necesita ventilación de aire fresco para que funcione apropiadamente. Este calefactor tiene un sistema de apagado de seguridad de Detección de disminución de oxígeno (ODS). El ODS apaga el calefactor si no está disponible suficiente aire fresco. Consulte Aire para la combustión y ventilación, páginas 7 a 9. Si el calefactor se mantiene apagándose, vea Resolución de fallas, páginas 23 a 26.
4. Mantenga todas las aberturas de aire en el frente, parte superior y parte inferior del calentador libres de objetos y desechos para asegurar aire adecuado para una combustión apropiada.
5. Si el calefactor se apaga, no lo encienda de nuevo sino hasta que haya suministrado aire fresco del exterior. Si el calefactor se mantiene apagándose, haga que se le dé servicio.
6. No haga funcionar el calefactor:
 - Donde se almacenen o usen líquidos o vapores inflamables.
 - Bajo condiciones de mucho polvo.
7. Antes de usar pulidor de mueble, cera, limpiador de alfombra o productos similares, apague el calefactor y el piloto. Si se calientan, los vapores de estos productos pueden crear un residuo de polvo blanco dentro de la caja del quemador o en paredes adyacentes o muebles.
8. No use este calefactor si alguna pieza ha estado bajo el agua. Llame de inmediato a un técnico de servicio calificado. Para inspeccionar el calefactor de habitación y reemplazar cualquier pieza del sistema de control y cualquier control del gas que haya estado bajo el agua.
9. Apague y desconecte el calefactor y deje que se enfríe antes de darle servicio. Solo una persona de servicio calificada debe darle servicio y reparar el calefactor.
10. Para evitar problemas de desempeño, no use tanque de combustible de propano/PL de menos de 100 lbs. de capacidad.
11. **ADVERTENCIA:** No permita que los ventiladores soplen directamente al calefactor. Evite corrientes que alteren los patrones de la llama del quemador.
12. CONSERVE ESTAS INSTRUCCIONES.

CARACTERÍSTICAS DEL PRODUCTO

PILOTO DE SEGURIDAD

Este calefactor tiene un piloto con un sistema de apagado de seguridad de Detección de disminución de oxígeno (ODS). El ODS/piloto apaga el calefactor si no hay suficiente aire fresco y corta el gas del quemador principal en el caso de que la llama se apague.

JUEGO DE PATAS (MODELOS SELECCIONADOS)

Están incluidas 2 patas y 4 tornillos de montaje para montar el calefactor en el piso. Ver página 13.

SISTEMA DE IGNICIÓN ELECTRÓNICA DE BOTÓN DE PRESIÓN

Este calefactor está equipado con un sistema de ignición electrónica de botón de presión. Este sistema requiere una batería AAA (proporcionada).

CONTROL DE CALOR DEL TERMOSTATO (MODELOS SELECCIONADOS)

El control alterna automáticamente el apagado y encendido del quemador para mantener la temperatura deseada de la habitación. Ver página 24.

JUEGO DEL VENTILADOR (MODELOS SELECCIONADOS)

El juego del ventilador ayuda a distribuir el aire caliente dentro del espacio más rápidamente.

Estado de Massachusetts: La instalación debe ser hecha por un fontanero o técnico de gas calificado en la Commonwealth de Massachusetts. Los vendedores de calefactores complementarios de habitación no ventilados accionados por propano o gas natural deben proporcionar a cada comprador una copia de 527 CMR 30 con la venta de la unidad.

En el Estado de Massachusetts, los calefactores de espacio no ventilados accionados por propano o gas natural están prohibidos en dormitorios y baños.

En el Estado de Massachusetts la válvula de cierre del gas debe ser del tipo mango en T. El Estado de Massachusetts exige que un conector flexible de dispositivo no exceda de tres pies de longitud.

CÓDIGOS LOCALES

Instale y use el calefactor con cuidado. La instalación debe hacerse conforme a los códigos locales o, en ausencia de códigos locales, conforme a la última edición del Código Nacional de Gas Combustible, ANSI Z223.1/NFPA 54

*Disponible en:

American National Standard Institute, Inc.
1430 Broadway
New York, NY 10018

National Fire Protection Association, Inc.
1 Batterymarch Park
Quincy, MA 02269-9101

Este calefactor está diseñado para operación de tiro natural. Los códigos estatales y locales en algunas áreas prohíben, restringen y o tienen requisitos especiales para calefactores de tiro natural.

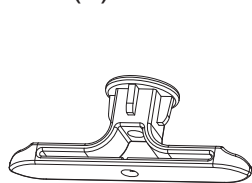
PREPARACIÓN PARA LA INSTALACIÓN

Antes de comenzar a ensamblar u operar este producto, asegúrese de que todas las piezas estén presentes. Compare las piezas con la lista de contenido del paquete. Si hace falta alguna pieza o se encuentra dañada, no intente ensamblar, instalar u operar el producto. Póngase en contacto con servicio al cliente para las piezas de reemplazo.

DESEMPAQUE

1. Retire el calefactor de la caja.
2. Retire todo el empaque protector aplicado al calefactor para envío.
3. Verifique que no falte ninguna pieza

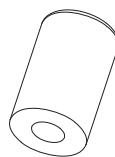
NOTA: Tornillo de pata soporte (M4*15) x 4 (Modelos seleccionados) Tornillo para madera (ST4.8*45-16), Colgante de pared Spacer Tornillo (ST4.8*15-16), y Soporte de expansión tiene (2) adicional.



Soporte de expansión x 4



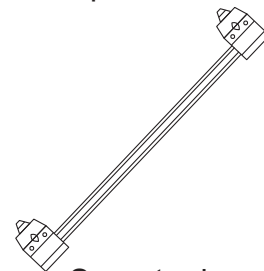
Expansión Tornillo del soporte (ST4.8*15-16) x 4



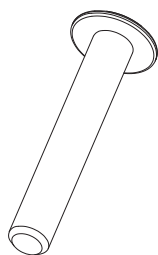
Separador de colgador de pared x 2



Tornillo de pata soporte (M4*15) x 4 (Modelos seleccionados)



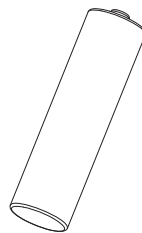
Soporte de montaje la pared x 1



Colgante de pared Spacer Tornillo (M4*25) x 2



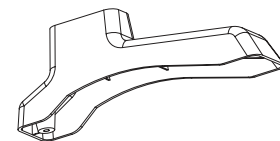
Tornillo para madera (ST4.8*45-16) x 4



Batería AAA x 1



Herramienta de soporte de expansión x 1



Pata soporte x 2 (Modelos Seleccionados)

4. Revise el calefactor en busca de daños de envío. Si el calefactor está dañado, infórmelo oportunamente al convecionario donde compró el calefactor.

VAPOR DE AGUA: UN SUBPRODUCTO DE CALEFACTORES NO VENTILADOS DE HABITACIÓN

El vapor de agua es un subproducto de la combustión del gas. Un calefactor no ventilado de habitación produce aproximadamente (1) onza (30 mL) de agua por cada 1,000 BTUs (0.3 Kw) de entrada de gas por hora. Un calefactor no ventilado de habitación está previsto como un calefactor complementario en lugar de una fuente primaria de calor. En la mayoría de aplicaciones de calor complementario, el vapor de agua no crea un problema. En la mayoría de aplicaciones, el vapor de agua mejora la atmósfera de baja humedad que se experimenta durante clima frío. Los pasos siguientes ayudarán a que el vapor de agua no se convierta en un problema:

1. Asegúrese de que el calefactor sea del tamaño apropiado para la aplicación, incluyendo aire de combustión adecuado y aire de circulación.
2. Si hay humedad alta, se puede usar un deshumidificador para ayudar a disminuir el contenido de vapor de agua del aire.
3. No use un calefactor no ventilado de habitación como la fuente primaria de calor.

PREPARACIÓN PARA LA INSTALACIÓN

AIRE PARA LA COMBUSTIÓN Y VENTILACIÓN

⚠ PRECAUCIÓN: Este calefactor no deberá ser instalado en una habitación o espacio a menos que el volumen requerido de aire de combustión de interiores sea proporcionado por el método descrito en el Código Nacional de Gas Combustible, ANSI Z223.1/NFPA54, el Código Internacional de Gas Combustible, o códigos locales aplicables.

CÓMO PRODUCIR UNA VENTILACIÓN ADECUADA

Todos los espacios en los hogares caen dentro de una de las siguientes clasificaciones de ventilación:

1. Construcción inusualmente hermética
2. Espacio no confinado
3. Espacio confinado

La información en las páginas 7 a 9 le ayudará a clasificar su espacio y proporcionar una ventilación adecuada.

Espacio confinado y no confinado

Un espacio confinado es un espacio cuyo volumen es menor de 50 pies cúbicos por 1,000 BTU/hr (4.8 m³ por kw) de la capacidad nominal de entrada agregada de todos los aparatos instalados en ese espacio y un espacio no confinado es un espacio cuyo volumen no es menor de 50 pies cúbicos por 1,000 BTU/hr (4.8 m³ por kw) de la capacidad nominal de entrada agregada de todos los aparatos instalados en ese espacio. Las habitaciones que se conectan directamente con el espacio en el cual están instalados* los aparatos, mediante aberturas no proporcionadas con puertas, son consideradas una parte del espacio no confinado.

Este calefactor no deberá ser instalado en un espacio confinado o construcción inusualmente hermética a menos que se tomen medidas para una combustión y aire de ventilación adecuados.

* Las habitaciones contiguas se conectan solo si hay pasillos sin puertas o rejillas de ventilación entre ellas.

Construcción inusualmente hermética

El aire que se filtra a través de puertas y ventanas puede brindar suficiente aire para la combustión y ventilación. Sin embargo, en edificios inusualmente herméticos, usted debe proporcionar aire fresco adicional.

La construcción inusualmente hermética se define como una construcción donde:

- a) Las paredes y techos expuestos a la atmósfera exterior tienen un retardante continuo de agua y vapor con un valor de un perm (6x10⁻¹¹kg por pa-seg-m²) o menos con aberturas con juntas o selladas y
- b) Se han agregado burletes a las ventanas que se pueden abrir y en puertas y
- c) Se ha aplicado masilla o selladores a áreas como juntas alrededor de los marcos de ventanas y puertas, entre zapatas y pisos, entre juntas pared-techo, entre paneles de pared, en penetraciones para líneas de fontanería, eléctricas y de gas, y en otras aberturas.

Si su hogar cumple con los tres criterios anteriores, usted debe proporcionar aire fresco adicional. Consulte "Aire de ventilación desde el exterior" (página 9). Si su hogar no cumple con todos los tres criterios anteriores, proceda a la "Determinación del flujo de aire fresco a la ubicación del calefactor".

PREPARACIÓN PARA LA INSTALACIÓN

DETERMINACIÓN DEL FLUJO DE AIRE FRESCO A LA UBICACIÓN DEL CALEFACTOR

Determinación de si tiene un espacio confinado o no confinado

Use esta hoja de cálculo para determinar si tiene un espacio confinado o no confinado.

Espacio: Incluye la habitación en la cual instalará el calefactor más cualquier habitación contigua a pasillos sin puertas o rejillas de ventilación entre las habitaciones.

1. Determine el volumen del espacio Longitud × Anchura × Altura = pies cúbicos (volumen del espacio)
Ejemplo: Tamaño del espacio 20 pies (longitud) × 16 pies (anchura) × 8 pies (altura del cielo raso)
= 2560 pies cúbicos (volumen del espacio)

Si se suministra ventilación adicional a la habitación contigua mediante rejillas o aberturas, agregue el volumen de estas habitaciones al volumen total del espacio.

2. Divida el volumen del espacio entre 50 pies cúbicos para determinar los BTU/hr máximos que el espacio puede soportar. _____ (volumen del espacio) ÷ 50 pies cúbicos = (BTU/hr máximos que el espacio puede soportar)

Ejemplo: 2560 pies cúbicos (volumen del espacio) ÷ 50 pies cúbicos = 51.2 o 51,200 (BTU/hr máximos que el espacio puede soportar)

3. Agregue los BTU/hr de todos los aparatos que queman combustible en el espacio.

Calefactor de tiro natural _____ BTU/hr

Calentador de agua a gas* _____ BTU/hr

Horno a gas _____ BTU/hr

Calentador a gas venteado _____ BTU/hr Ejemplo:

Leños de calentador a gas _____ BTU/hr Calefactor de agua a gas 30,000 BTU/hr

Otros aparatos a gas*+ _____ BTU/hr Calefactor de tiro natural + 26,000 BTU/hr

Total = _____ BTU/hr Total = 56,000 BTU/hr

*No incluya aparatos a gas de ventilación directa. La ventilación directa extrae aire para la combustión del exterior y descarga al exterior.

4. Compare los BTU/hr máximos que el espacio puede soportar con la cantidad real de BTU/hr usadas.

_____ BTU/hr (máximos que el espacio puede soportar)

_____ BTU/hr (cantidad real de BTU/hr usados).

Ejemplo: 51,200 BTU/hr (máximos que el espacio puede soportar) 56,000 BTU/hr (cantidad real de BTU/hr usados)

El espacio en el ejemplo anterior es un espacio confinado porque los BTU/hr reales usados es más que los BTU/hr máximos que el espacio puede soportar.

Usted debe proporcionar aire fresco adicional. Sus opciones son las siguientes:

- Revise la hoja de cálculo, agregando el espacio de una habitación contigua. Si el espacio extra proporciona un espacio no confinado, retire la puerta de la habitación contigua o agregue rejillas de ventilación entre las habitaciones. Consulte "Aire de ventilación desde el interior del edificio," página 9.
- Ventile la habitación directamente al exterior. Consulte "Aire de ventilación desde el exterior", página 9.
- Instale un calefactor de menos BTU/hr si el tamaño de menos BTU/hr hace que la habitación sea confinada. Si la cantidad de BTU/hr reales usados es menor que los BTU/hr máximos que el espacio puede soportar, el espacio es un espacio no confinado.

No necesitará ventilación adicional de aire fresco.

PREPARACIÓN PARA LA INSTALACIÓN

Aire de ventilación desde el interior del edificio

Este aire fresco vendría del espacio no confinado contiguo. Cuando se ventila a un espacio no confinado contiguo, debe proporcionar dos aberturas permanentes: una dentro de 12 pulg. de la pared que conecta los dos espacios (ver opciones 1 y 2, Fig. 1). También puede retirar la puerta de la habitación contigua (ver opción 3, Fig. 1). Siga el Código Nacional de Gas Combustible NFPA 54/ANS Z223.1. Aire para la combustión y ventilación para el tamaño requerido de las rejillas o ductos de ventilación.

Aire de ventilación desde el exterior

Proporcione aire fresco extra usando rejillas o ductos de ventilación. Debe proporcionar dos aberturas permanentes: una dentro de 12 pulg. del techo y otra dentro de 12 pulg. del piso. Conecte estos artículos directamente al exterior o a espacios abiertos al exterior. Estos espacios incluyen áticos y cámaras. Siga el Código Nacional de Gas Combustible NFPA 54/ANS Z223.1. Aire para la combustión y ventilación para el tamaño requerido de las rejillas o ductos de ventilación.

IMPORTANTE: No proporcione aberturas para aire de entrada o salida en el ático si este tiene un respiradero de potencia controlado por termostato. El aire caliente que ingresa al ático activará el respiradero de potencia. Revise la hoja de cálculo, agregando el espacio del espacio contiguo no confinado. Los espacios combinados deben tener suficiente aire fresco para abastecer a todos los aparatos en ambos espacios.

Fig. 1 - Rejillas de ventilación en habitación contigua, Opción 1

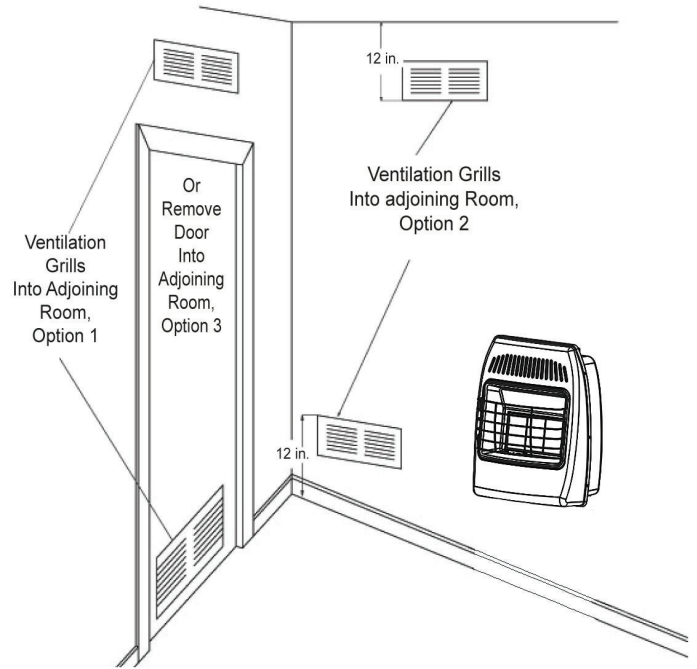
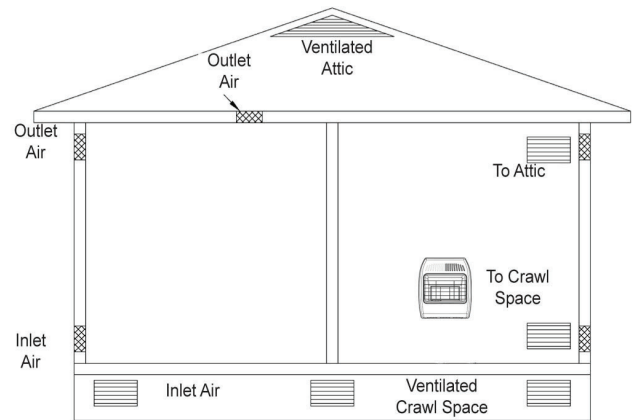


Fig. 2 - Ventilación aire desde el exterior



INSTALACIÓN

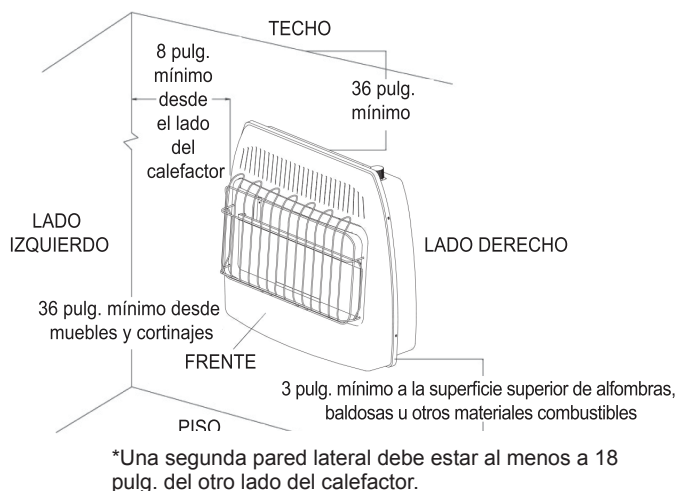
- ⚠ **AVISO:** Este calefactor está diseñado para ser usado como calor complementario. Use este calefactor junto con su sistema de calefacción primario. No instale este calefactor como su fuente primaria de calor.
- ⚠ **ADVERTENCIA:** Un técnico calificado debe instalar el calefactor. Siga todos los códigos locales.
- ⚠ **ADVERTENCIA:** Mantenga los espacios libres mínimos. De ser posible, proporcione espacios libres más grandes que los requeridos desde el piso, techo y pared contigua.
- ⚠ **PRECAUCIÓN:** Este calentador crea corrientes de aire caliente. Estas corrientes mueven al calor a las superficies de la pared contiguas al calefactor. La instalación del calefactor cerca de revestimientos de vinilo o de tela para pared o la operación del calefactor donde existan impurezas (como humo de tabaco, velas aromáticas, líquidos de limpieza, aceite o lámparas de queroseno, etc.) en el aire, puede hacer que las paredes se decoloren.

ESPACIOS LIBRES PARA COMBUSTIBLES

Siga las siguientes instrucciones con mucho cuidado. Este calefactor se puede montar en la pared o en el piso usando las patas de soporte (Modelos seleccionados).

- ⚠ **ADVERTENCIA:** Mantenga los espacios libres mínimos mostrados en (Ver Fig. 3). Si puede, proporcione espacios libres más grandes desde el piso, techo y pared adyacente.

Fig. 3 - Espacios libres de montaje vistos desde el frente del calefactor (pulgadas)



ESPACIO LIBRE MÍNIMO A COMBUSTIBLES				
*IZQUIERDA/DERECHA	CUBIERTA	FONDO	FRENTE	Parte trasera
8 pulg.	36 pulg.	3 pulg.	36 pulg.	0 pulg. al separador
El espacio libre superior es desde la cubierta del calefactor al techo, repisa de madera u otro material combustible.				
El espacio libre del fondo es desde el fondo del calefactor hasta la superficie de alfombras, baldosas u otros materiales combustibles.				

- *Una segunda pared lateral debe estar al menos a 18 pulg. del otro lado del calefactor. Mantenga siempre un mínimo de 36 pulg. de espacio libre de muebles y cortinajes.
- *Para la instalación en garajes residenciales consulte la parte inferior de la página 4.

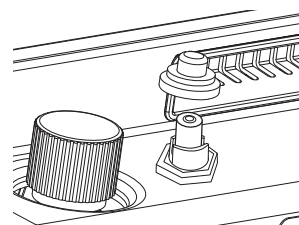
INSTALACIÓN

INSTALACIÓN DE LA BATERÍA DEL ENCENDEDOR

- La batería está incluida.
- Quite la tapa del encendedor e inserte la batería incluida con el negativo (plano) hacia abajo (Ver Fig. 7). Vuelva a colocar la tapa del encendedor.
- Asegúrese de respetar la polaridad correcta (+/-) cuando instale o vuelva a instalar la batería. Los daños debidos a una instalación inapropiada de la batería puede anular la garantía del producto.
- Instale/reemplace la batería de acuerdo al tipo y cantidad indicada en la tabla de abajo.
- Retire la batería cuando se haya agotado.
- Para periodos largos de no operación, retire la batería de todos los componentes por seguridad.

⚠ ADVERTENCIA: No use baterías recargables de óxido de plata.

Fig. 7 - Instalación de la batería del encendedor



NO deseche las baterías en el fuego. La eliminación inadecuada puede hacer que las baterías goteen o exploten.

Componente	Tipo de batería	Cantidad de baterías
Encendedor	AAA	1

INSTALACIÓN DEL VENTILADOR (OPCIONAL)

IMPORTANTE: El ventilador opcional no está aprobado para su uso con la serie IR6 calentadores de pared.

⚠ ADVERTENCIA: Instrucciones de conexión eléctrica a tierra. Este aparato está equipado con un enchufe con conexión a tierra de tres terminales para su protección contra peligro de choque eléctrico y debe ser conectado directamente en un receptáculo de tres terminales con conexión a tierra apropiada (Ver Fig. 8).

1. El calefactor montado en pared debe desconectarse del suministro de gas y retirado de la pared antes de instalar el accesorio del ventilador. Contacte a una persona de servicio calificada para hacer esto.
2. Retire el panel perforado del ventilador del panel usando un destornillador (Ver Fig. 9). Instale el ventilador en el panel trasero del calefactor usando los cuatro tornillos proporcionados.

NOTA: Asegúrese de que el interruptor oscilante esté colocado en la esquina superior derecha. (Ver Fig. 10).

3. Este ventilador está equipado con ajustes manual "MAN" y automático "AUTO" (Ver Fig. 11 en la página 13). Ajuste el interruptor oscilante a la posición "MAN" para modo manual, dejando que el ventilador funcione continuamente hasta que el interruptor oscilante vuelva a la posición OFF "O". Ajuste el interruptor oscilante a la posición "AUTO" para modo automático, que encenderá y apagará el ventilador con base en la temperatura de la habitación. Puede tomar de 5 a 10 minutos para que el ventilador encienda cuando la unidad esté fría.

NOTA: Si alguno de los cables originales suministrados con el aparato se debe reemplazar, debe hacerse con un cable de al menos una capacidad nominal de temperatura igual. Consulte la Fig. 12 en la página 13 para el diagrama de cableado.

⚠ PRECAUCIÓN: Etiquete todos los cables antes de la desconexión cuando le dé servicio a los controles. Los errores de cableado pueden causar funcionamiento inadecuado y peligroso. Compruebe el funcionamiento apropiado después del servicio.

Fig. 8 - Suministro de energía eléctrica al ventilador

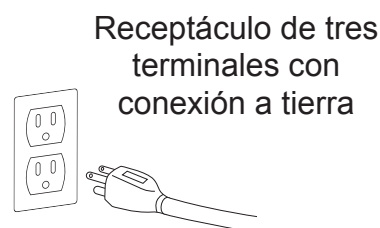


Fig. 9 - Panel perforado

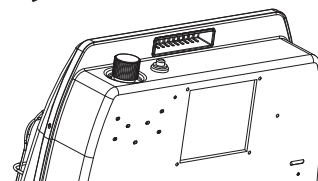


Fig. 10 - Instalación del ventilador

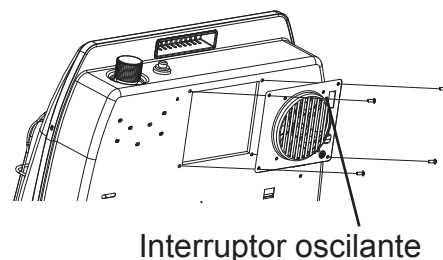


Fig. 11 - Ventilador de operación

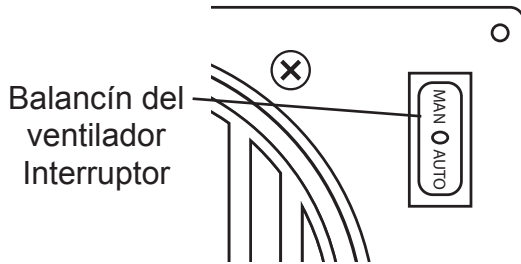
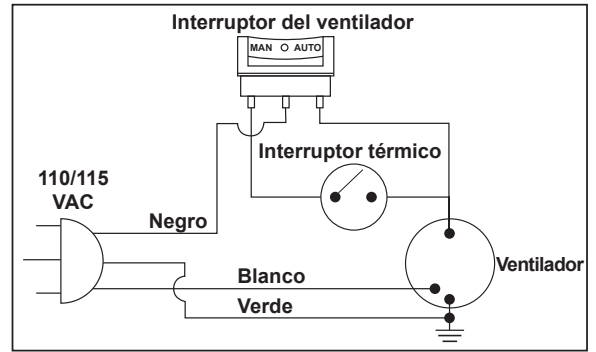


Fig. 12- Diagrama del cableado del ventilador



CÓMO UBICAR EL CALEFACTOR

Este calefactor está diseñado para ser montado en una pared o en el piso, usando las patas de soporte (Modelos seleccionados) incluidas con el calefactor.

Por conveniencia y eficiencia, instale el calefactor:

1. Donde haya fácil acceso para la operación, inspección y servicio.
2. En la parte más fría de la habitación.
3. A una distancia mínima de 3 pies de muebles y cortinajes.

MONTAJE EN EL PISO

(Modelos seleccionados)

(No se puede hacer en el dormitorio o cuarto de baño)
(No puede utilizarse para calentadores de garaje y casa de hielo)

NOTA : Este es un accesorio opcional y no es necesario para el funcionamiento del calentador.

Antes de instalar las patas de soporte en la base del calefactor, asegúrese de tener los siguientes elementos:

- (2) Patas de soporte
- (4) Tornillos de las patas de soporte (M4*15)

1. Ponga abajo una manta sobre la mesa donde se colocará el calentador para prevenir que la instalación de la pierna evite rallar la mesa o el calentador.
2. Coloque la parte de atrás sobre la mesa con el fondo del calefactor extendiéndose hacia afuera del borde de la mesa.
3. Sujete las patas de soporte al calefactor usando los tornillos de las patas de soporte (Fig. 13)

Nota: Si el calefactor va a ser instalado directamente sobre alfombra, baldosa u otro material combustible que no sea piso de madera, el aparato debe ser instalado sobre un panel metálico o de madera que se extienda en la anchura y profundidad completas del aparato.

3. Una vez en su posición, asegure el calefactor al piso usando los tornillos de las patas soporte (M4*15) y agujeros de montaje que se encuentran en las patas de soporte del calefactor (Ver Fig. 14).

MONTAJE EN PARED

⚠ ADVERTENCIA: No colocar las piezas de acuerdo con estos diagramas o no usar solamente piezas específicamente aprobadas con este calefactor puede resultar en daños a la propiedad o lesiones personales.

Soporte de montaje

El soporte de montaje está ubicado situado por separado desde el calentador, pero en la misma caja.

Fig. 13 - Instalación de las patas

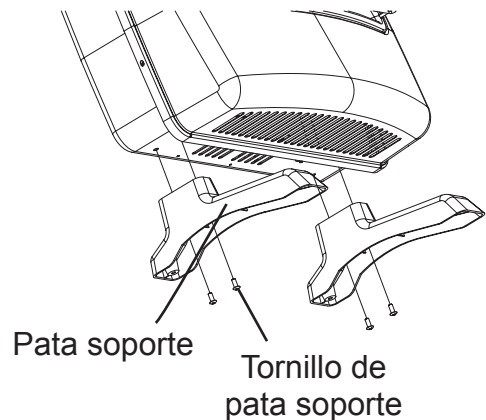
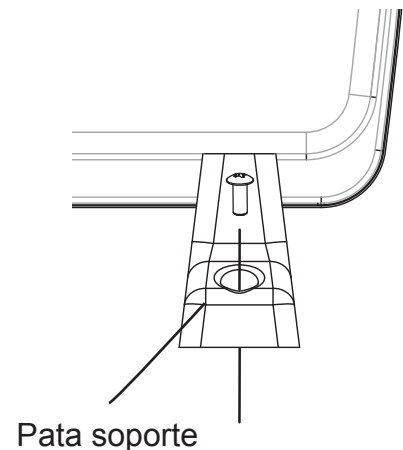



Fig. 14 - Cómo asegurar la pata soporte



INSTALACIÓN

Métodos para instalar el soporte de montaje a la pared

⚠ ALERTA



LAS LÍNEAS ELÉCTRICAS, DE PLOMERÍA O DE GAS DEBEN ESTAR EN PARED.
Antes de cortar, perforar o martillar, verifique su localización. Si es necesario, entre en contacto con su electricista, plomero o persona del servicio.

Use solamente el último agujero en cada extremo del soporte de montaje para instalar el soporte en la pared. Inserte los tornillos para madera (ST4.8*45-16) a través del soporte de montaje y en montantes de la pared.

1. Instalación en soporte de expansión: Este método proporciona la sujeción más fuerte. Inserte los tornillos de montaje a través del soporte de montaje y en los montantes de pared.
2. Instalación en ancla de pared: Este método le permite instalar el soporte de montaje en paredes huecas (áreas de la pared entre montantes) o a paredes sólidas (concreto o mampostería).

Decida qué método se adecúa mejor a sus necesidades. Cualquier método proporcionará una sujeción segura para el soporte de montaje.

Marcado de las ubicaciones del tornillo

1. Pegue con cinta adhesiva el soporte de montaje a la pared donde estará localizado el calefactor. Asegúrese de que el soporte de montaje esté nivelado.
2. Marque las ubicaciones del tornillo en la pared (Ver Fig. 16). **Nota:** Marque solamente el último agujero en cada extremo del soporte de montaje. Inserte (2) tornillos para madera (ST4.8*45-16) en total de a través de estos agujeros solamente.
3. Retire la cinta y el soporte de montaje de la pared.

Instalación del soporte de montaje en la pared

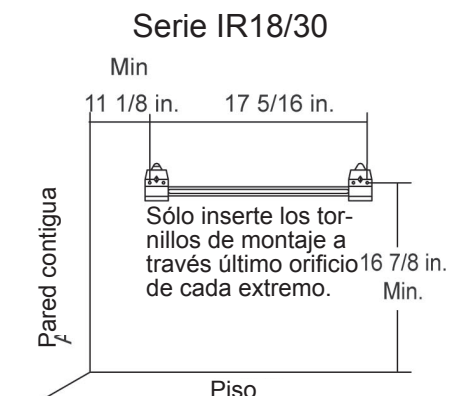
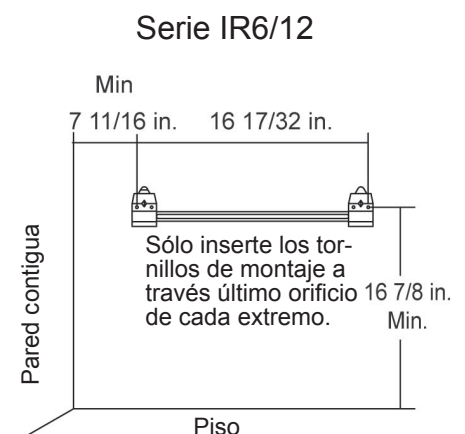
Nota: Los soporte de expansión, los tornillos para madera (ST4.8*45-16) y los Separador de colgador de pared están en el paquete de herrajes. El paquete de herrajes se proporciona con el calefactor.

Instalación con el método de montante de pared

Para instalar el soporte de montaje a montantes de pared:

1. Perfore agujeros en las ubicaciones marcadas usando una broca de 9/64 pulgadas.
2. Coloque el soporte de montaje sobre la pared. Alinee el último agujero en cada extremo del soporte con los agujeros perforados en la pared.
3. Inserte los tornillos para madera (ST4.8*45-16) a través del soporte y en los montantes de pared.
4. Apriete los tornillos para madera (ST4.8*45-16) hasta que el soporte de montaje esté sujetado firmemente en los montantes de pared.
5. ¡Compruebe que el soporte esté seguro antes de montar el calefactor!

Fig. 16 - Soporte de montaje Separadores (pulgadas)



INSTALACIÓN

Instalación con el método de Soporte de expansión

Para instalar el soporte de montaje a paredes huecas (áreas de la pared entre montantes) o paredes sólidas (concreto o mampostería):

1. Perfore agujeros en lugares marcados usando una broca de 5/16 pulgadas. Para paredes sólidas (concreto o mampostería), perfore al menos 1 pulgada de profundidad.
 2. Doble soporte de expansión como se muestra en (Ver Fig. 17).
 3. Inserte el soporte de expansión (las alas primero) en el agujero. Golpee el ancla hasta que quede alineada con la pared.
 4. Para paredes delgadas (1/2 pulgada o menos), inserte la herramienta de soporte de expansión en el soporte de expansión. Empuje la herramienta de soporte de expansión hasta que las alas del soporte de expansión abran repentinamente (Ver Fig. 18).
- ⚠ IMPORTANTE:** ¡No golpee la herramienta de soporte de expansión! Para paredes gruesas (más de 1/2 pulgada de grueso) o paredes sólidas, no abra repentinamente las alas.
5. Coloque el soporte de montaje sobre la pared. Alinee el último agujero en cada extremo del soporte de expansión.
 6. Inserte los expansión tornillos del soporte (ST4.8*15-16) a través del soporte y en los soportes de expansión
 7. Apriete los expansión tornillos del soporte (ST4.8*15-16) hasta que el soporte de montaje esté sujetado firmemente en la pared.
 8. ¡Compruebe que el soporte esté seguro antes de montar el calefactor!

Instalación de separadores de colgador al calefactor

⚠ ADVERTENCIA: No instalar apropiadamente los separadores de colgador de pared puede resultar en daños a la propiedad, lesiones personales o incluso la muerte.

1. Ubique los agujeros de montaje del separador en las secciones inferiores derecha/izquierda del panel trasero del calefactor.
2. Asegure (2) separadores de colgador de pared en el panel trasero del calefactor usando (2) colgante de pared spacer tornillo (M4*25) (Ver Fig. 19a).

Colocación del calefactor en el soporte de montaje

1. Localice dos ranuras horizontales en el panel trasero del calefactor.
2. Coloque el calefactor sobre el soporte de montaje. Deslice las ranuras horizontales sobre las pestañas que sobresalen en el soporte de montaje. Asegúrese de que los separadores descansen uniformemente contra la pared (Ver Fig. 19b).

Fig. 17 - Cómo doblar el ancla

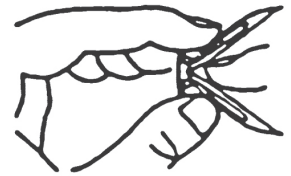


Fig. 18 - Cómo abrir repentinamente el ala del ancla para paredes delgadas

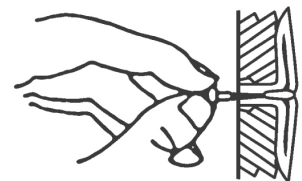
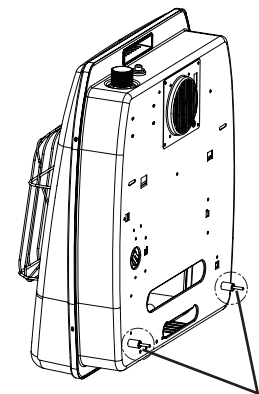


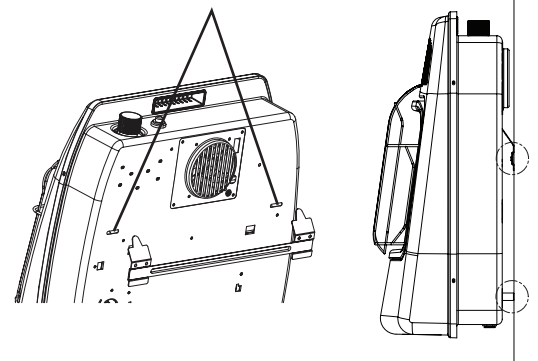
Fig. 19a - Instalación de separadores de colgador de pared en el calefactor



Separadores

Fig. 19b - Montaje del calefactor sobre el soporte de montaje

Ranuras horizontales



CONEXIÓN AL SUMINISTRO DE GAS

- ⚠ **ADVERTENCIA:** Un técnico de servicio calificado debe conectar el calefactor al suministro de gas. Siga todos los códigos locales.
- ⚠ **IMPORTANTE:** Este aparato requiere una conexión de entrada NPT (National Pipe Thread) de 3/8 pulgadas al regulador de presión. Nunca conecte el calefactor a pozos de gas privados (no del servicio público), comúnmente conocidos como gas de boca de pozo.
- ⚠ **ADVERTENCIA:** No apriete demasiado las conexiones de gas.
- ⚠ **PRECAUCIÓN:** Use solamente tubo nuevo de hierro negro o acero. En ciertas áreas se puede usar tubería de cobre internamente estañada. Revise sus códigos locales. Use tubería de 1/2 pulg. de diámetro o mayor para permitir un volumen adecuado de gas al calefactor. Si el tubo es demasiado pequeño, ocurrirá pérdida indebida de presión.
- ⚠ **PRECAUCIÓN:** Revise la presión de la línea del gas antes de conectar el calefactor a la línea de gas. La presión de línea de gas debe ser de un mínimo de 6" de columna de agua (WC) para GN y de 11" WC para PL con una presión máxima de 14" WC. Si la presión de la línea de gas es mayor, podrían ocurrir daños al regulador del calefactor.
- ⚠ **PRECAUCIÓN:** Nunca conecte el calefactor directamente a un suministro de PL. Este calefactor requiere un regulador externo (no suministrado). Instale el regulador externo entre el calefactor y el suministro de gas.
- ⚠ **PRECAUCIÓN:** Evite dañar el regulador. Sostenga el regulador de gas con una llave cuando lo esté conectando a la tubería de gas y/o accesorios.
- ⚠ **PRECAUCIÓN:** Use sellador de juntas de tubo que sea resistente al gas (Propano o gas natural).

Diámetros típicos de la tubería de entrada

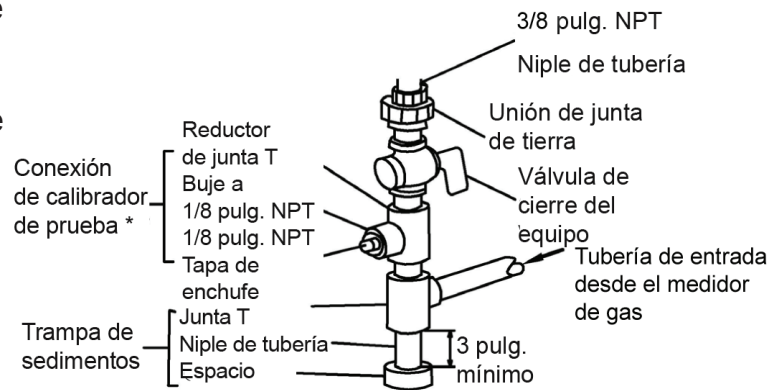
Use tubería de hierro negro de 3/8 pulg. o mayor. La instalación debe incluir una válvula de cierre del equipo, unión y conectada a una toma de 1/8 pulg. NPT. Ubique el macho de rosca NPT de modo que sea de fácil acceso para conectar el calibrador de prueba. La toma NPT debe estar corriente arriba del calefactor (Ver Fig. 20).

- ⚠ **IMPORTANTE:** Instale una válvula de cierre del equipo en un lugar accesible. La válvula de cierre del equipo es usada para abrir y cerrar el gas al aparato.

Aplice ligeramente sellador de juntas de tubo en las roscas macho. Esto evitará que el exceso de sellador se vaya al tubo. El exceso de sellador en el tubo podría resultar en que las válvulas del calefactor se obstruyan.

Instale una trampa de sedimentos en la línea de suministro como se muestra (Ver Fig. 20). Coloque la trampa de sedimentos donde resulte fácil de acceder para su limpieza. Coloque la trampa de sedimentos donde no exista la probabilidad de que el material atrapado se congele. Una trampa de sedimentos atrapa la humedad y contaminantes. Esto evita que se vayan a los controles del calefactor. Si la trampa de sedimentos no está instalada o está instalada incorrectamente, el calefactor puede no funcionar apropiadamente.

Fig. 20 - Conexión del gas



REVISIÓN DE LAS CONEXIONES DE GAS

⚠ ADVERTENCIA: Pruebe toda la tubería y conexiones de gas en contra de fugas después de la instalación y el servicio. Corrija todas las fugas de inmediato.

⚠ ADVERTENCIA: Nunca use una llama abierta para revisar en busca de fugas. Aplique una mezcla 50/50 de jabón líquido y agua en todas las juntas. Si se forman burbujas, puede haber una fuga. Corrija todas las fugas de inmediato.

Prueba de presión del sistema de tuberías del suministro de gas Presiones de prueba mayores de 1/2 PSIG (3.5kPa)

El aparato y su válvula de gas principal deben estar desconectados del sistema de tubería de suministro de gas durante cualquier prueba de presión de ese sistema a presiones de prueba mayores de 1/2 psi (3.5 kPa).

Presión de prueba del suministro de gas igual o mayor que 1/2 PSIG (3.5kPa)

El aparato debe aislarse del sistema de tubería de suministro de gas cerrando su válvula de cierre del equipo durante cualquier prueba de presión del sistema de tubería de suministro de gas a presiones de prueba iguales o mayores que 1/2 psi (3.5 kPa).

Prueba de fugas de las conexiones internas de gas del calefactor

1. Abra la válvula de cierre del equipo (Ver Fig. 21).
2. Asegúrese de que la perilla de control del calefactor esté en la posición OFF.
3. Abra la válvula del tanque de suministro de gas (Sistemas de PL).
4. Revise todas las juntas de la válvula de cierre del equipo a la válvula de control. Aplique una mezcla 50/50 de jabón líquido y agua en las juntas de gas. Si se forman burbujas, puede haber una fuga.
5. Encienda el calefactor (ver Operación, página 18).
Revise todas las otras juntas internas en busca de fugas.
6. Apague el calefactor (ver "Apagar el gas al aparato", página 19).

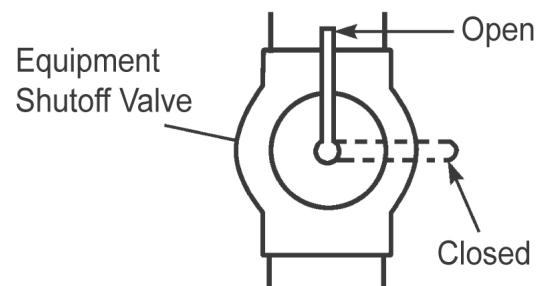


Fig. 21 - Válvula de cierre del equipo

OPERACIÓN

PARA SU SEGURIDAD, LEA ANTES DE ENCENDER



ADVERTENCIA: Si no sigue estas instrucciones con exactitud, puede resultar un incendio o explosión ocasionando daños a la propiedad, lesiones personales o la muerte.


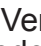
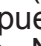



- A. Este aparato tiene un piloto que debe ser encendido con el encendedor. Cuando encienda el piloto, siga estas instrucciones con exactitud.
- B. ANTES DE ENCENDER huela todo alrededor del área del aparato en busca de gas. Asegúrese de oler cerca del piso porque algún gas es más pesado que el aire y se asentará en el piso.

QUÉ HACER SI HUELE GAS


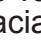
- No trate de encender ningún aparato.
 - No toque ningún interruptor eléctrico; no use ningún teléfono en su edificio.
 - Llame de inmediato a su proveedor de gas del teléfono de un vecino. Siga las instrucciones del proveedor de gas.
 - Si no puede contactar a su proveedor de gas, llame al Cuerpo de Bomberos.
- C. Use solamente su mano para presionar o girar la perilla de control del gas. Nunca use herramientas. Si la perilla no se puede presionar o girar a mano, no trate de repararla, llame a un técnico de servicio calificado. Una reparación forzada puede resultar en incendio o explosión.
- D. No use este aparato si alguna pieza ha estado bajo el agua. Llame de inmediato a un técnico de servicio calificado para que inspeccione el aparato y reemplace cualquier pieza del sistema de control y cualquier control del gas, que haya estado bajo el agua.

INSTRUCCIONES DE ENCENDIDO

CONTROL MANUAL DEL GAS

1. ¡ALTO! Lea la información de seguridad arriba en esta página.
 2. Apague la energía eléctrica al aparato.
 3. Presione la perilla de control suavemente y gírela  hacia la derecha a la posición "OFF" . (Ver Fig. 22a)
- NOTA:** La perilla no se puede girar de "PILOT"  a "OFF"  a menos que se presione ligeramente. No la fuerce.
4. Espere cinco (5) minutos para que se vacíe todo el gas. Luego huela en busca de gas, incluyendo cerca del piso. Si huele gas, ¡ALTO! Siga "B" en la información de seguridad anterior. Si no huele a gas, vaya al siguiente paso.
 5. Presione la perilla de control suavemente y gírela  hacia la izquierda a la posición "PILOT" . (Ver Fig. 23a) Oprima la perilla de control.
 6. Con la perilla de control oprimida, presione el encendedor hasta que el piloto se encienda. El piloto es visible, centrado abajo de las quemador principal, detrás de la panel de vidrio. (Ver Fig. 24 en la página 19)
 7. Mantenga oprimida la perilla de control durante (30) segundos después de que el piloto encienda. Suelte la perilla de control.

Nota: Si el piloto se apaga repita los pasos 3 al 7. Espere (1) minuto antes de intentar encender el piloto otra vez.

Si después de varios intentos el piloto todavía se apaga, gire la perilla de control  hacia la derecha a la posición "OFF"  y llame a su técnico de servicio o al proveedor de gas.

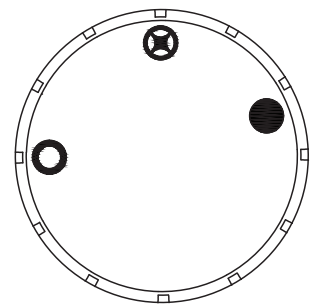


Fig. 22a

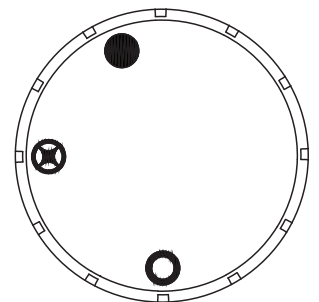


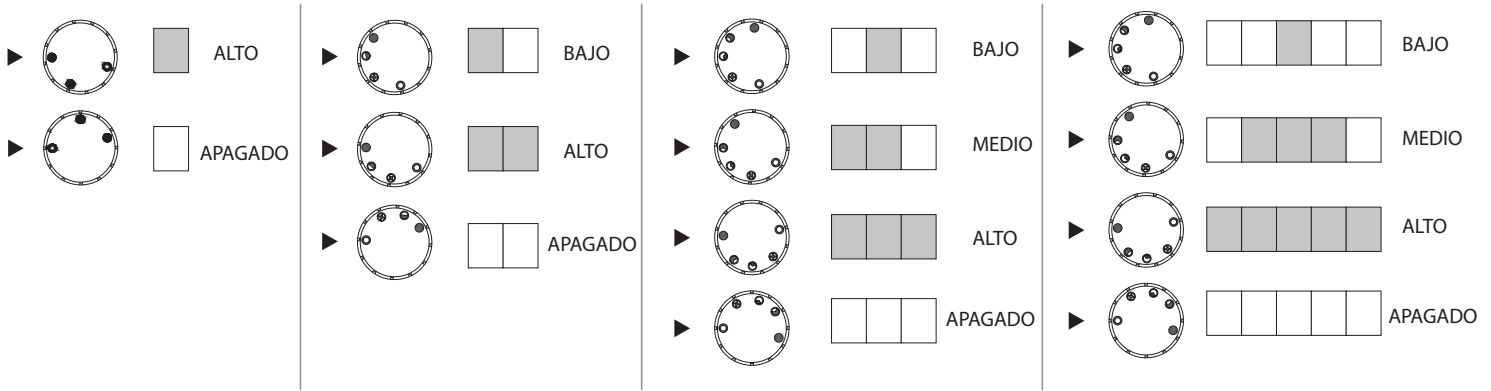
Fig. 23a

INSTRUCCIONES DE ENCENDIDO

Si la perilla de control no salta cuando se suelte, pare y llame de inmediato a su técnico de servicio o al proveedor de gas.

8. Encienda la energía eléctrica al aparato.
9. Gire la perilla de control ↶ hacia la izquierda al ajuste deseado.

Patron del Quemador (Control Manual del Gas)



CONTROL DE GAS DEL TERMOSTATO

1. ¡ALTO! Lea la información de seguridad en la página anterior.
2. Apague la energía eléctrica al aparato.
3. Gire la perilla de control ↷ hacia la derecha a la posición "OFF" (Ver Fig. 22b)
4. Espere cinco (5) minutos para que se vacíe todo el gas. Luego huela en busca de gas, incluyendo cerca del piso. Si huele gas, ¡ALTO! Siga "B" en la información de seguridad anterior. Si no huele a gas, vaya al siguiente paso.
5. Gire la perilla de control ↶ hacia la izquierda a la posición "PILOT" (Ver Fig. 23b) Oprima la perilla de control.
6. Con la perilla de control oprimida, presione el encendedor hasta que el piloto se encienda. El piloto es visible, centrado abajo de las quemador principal, detrás de la panel de vidrio. (Ver Fig. 24 en la página 19)
7. Mantenga oprimida la perilla de control durante (30) segundos después de que el piloto encienda. Suelte la perilla de control.

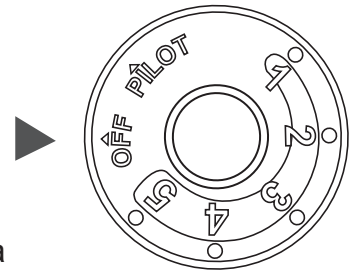


Fig. 22b

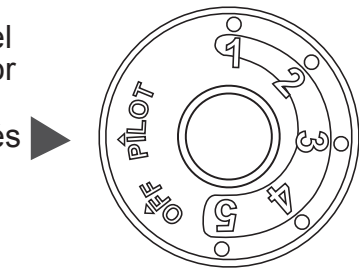


Fig. 23b

Nota: Si el piloto se apaga repita los pasos 3 al 7. Espere (1) minuto antes de intentar encender el piloto de nuevo. Si después de varios intentos el piloto todavía se apaga, gire la perilla de control ↷ hacia la derecha a la posición "OFF" y llame a un técnico de servicio calificado o al proveedor de gas. •Si la perilla de control no salta cuando se suelte, pare y llame de inmediato a un técnico de servicio calificado o al proveedor de gas.

8. Encienda la energía eléctrica al aparato.
9. Gire la perilla de control ↶ hacia la izquierda al ajuste deseado.

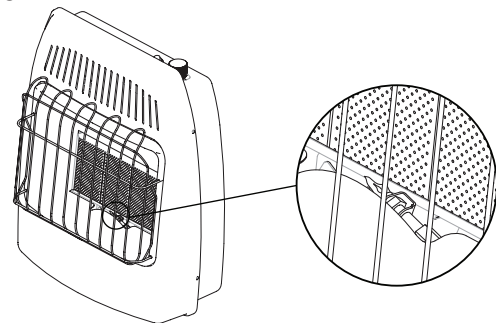
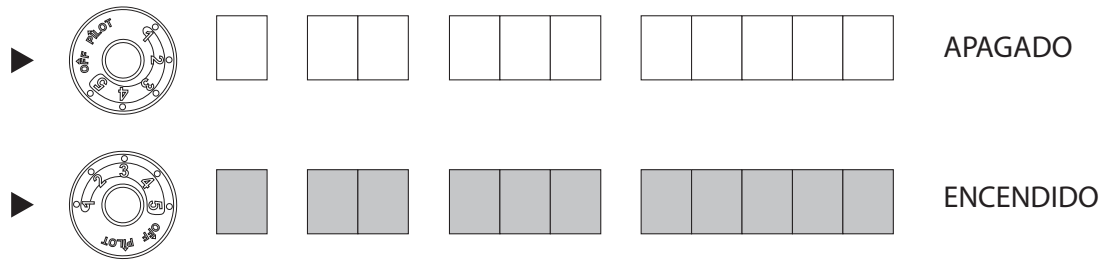


Fig. 24 - Ubicación de la llama del piloto


OPERACIÓN

INSTRUCCIONES DE ENCENDIDO

Patron del Quemador (Control del gas del termostato)




PARA APAGAR EL GAS AL APARATO

1. Apague la energía eléctrica al aparato si se le va a dar servicio.
2. Presione la perilla de control suavemente y gírela  hacia la derecha a la posición "OFF" o "O". NO LA FUERCE.

OPERACIÓN DEL CONTROL TERMOSTÁTICO (MODELOS SELECCIONADOS)

El termostato usado en este calefactor detecta la temperatura ambiente. A veces, la temperatura ambiente puede ser mayor que la temperatura de ajuste. Si eso ocurre, el calefactor se apagará. El quemador se activará cuando la temperatura ambiente caiga abajo de la temperatura de ajuste. La perilla de control se puede ajustar a cualquier nivel de comodidad entre "HIGH" (5) y "LOW" (1) (Ver Fig. 25).

OPERACIÓN DEL CONTROL MANUAL

Gire la perilla de control hacia la izquierda al ajuste deseado que se ponen manualmente en la posición "OFF"  (Ver Fig. 25).

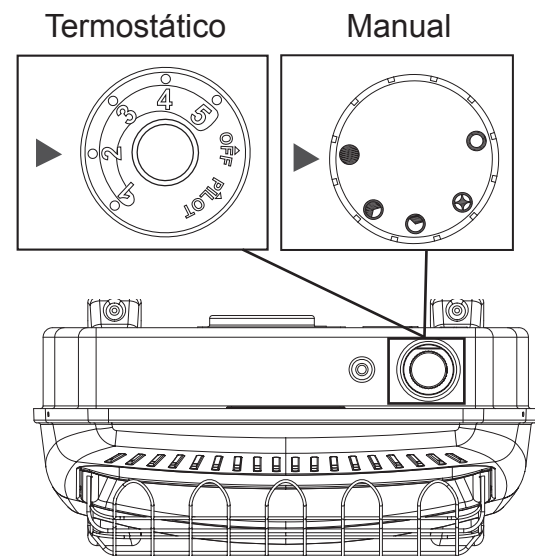


Fig. 25 - Posición de la perilla de control

OPERACIÓN

INSPECCIÓN DE LOS QUEMADORES

Revise diariamente el patrón de la llama cuando esté en uso y al menos una vez al año por una agencia de servicio calificada.

PATRÓN DE LA LLAMA DEL PILOTO

La Figura 26 muestra un patrón correcto de la llama del piloto. La Figura 27 muestra un patrón incorrecto de la llama del piloto. La llama incorrecta del piloto no está tocando el termopar. Esto hará que el termopar se enfríe, lo que apagará el calefactor. Si el patrón de la llama del piloto es incorrecto:

- apague el calefactor (ver "Apagar el gas al aparato" en la página 19).
- ver Resolución de fallas, páginas 23 a 26.

Fig. 26 - Patrón correcto de llama piloto

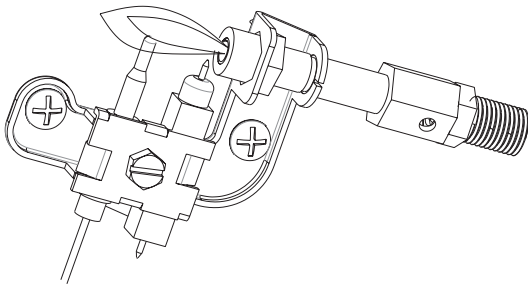
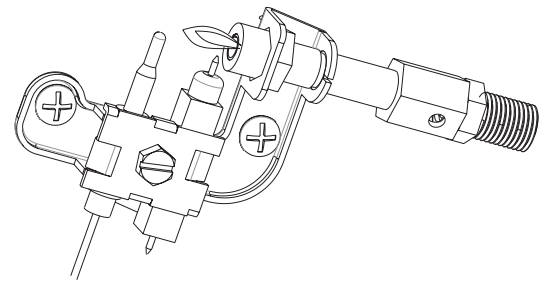


Fig. 27 - Patrón incorrecto de llama piloto



⚠ ADVERTENCIA: Si se da coloración amarilla, su calefactor podría producir niveles en aumento de monóxido de carbono. Si el patrón de la llama del quemador muestra coloración amarilla, siga las instrucciones bajo PATRÓN DE LA LLAMA DEL QUEMADOR, página 21.

Aviso: No confunda las llamas anaranjadas con la coloración amarilla. El polvo u otras partículas finas que entran al calefactor y quemador ocasionan parches breves de llama anaranjada.

PATRÓN DE LA LLAMA DEL QUEMADOR

La Fig. 28 muestra un patrón correcto de la llama del quemador. La Fig. 29 muestra un patrón incorrecto de la llama del quemador con altura de llama excesiva que se levanta.

Si la llama del quemador es incorrecta:

- apague el calefactor (ver "Apagar el gas al aparato," página 19).
- ver Resolución de fallas, páginas 23 a 26.

Fig. 28 - Patrón correcto/normal con llamas cortas con la perilla de control ajustada a llama alta (5)

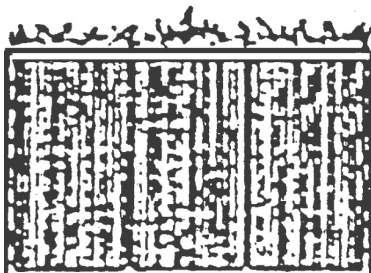
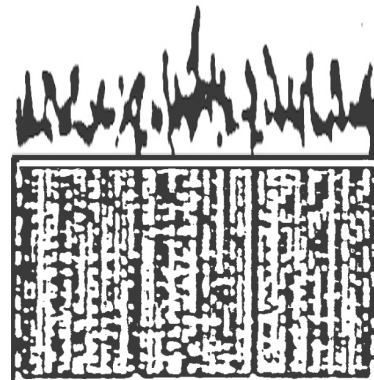


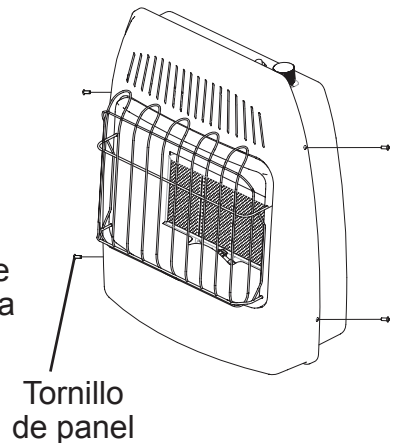
Fig. 29 - Patrón incorrecto/anormal con llamas altas con la perilla de control ajustada a llama alta (5)



CUIDADO Y MANTENIMIENTO

NOTA: Antes de dar servicio necesitará retirar el panel frontal del calefactor. Hay 4 tornillos Philips, 2 en el lado izquierdo y 2 en el derecho, asegurando el panel frontal al calefactor (Ver Fig. 30). Permita siempre que la unidad se enfríe durante al menos treinta minutos antes de intentar retirar el panel frontal.

Fig. 30 - Retiro del panel frontal



⚠ ADVERTENCIA: Apague el calefactor, desconecte el cable eléctrico y deje enfriar antes de dar servicio.

⚠ PRECAUCIÓN: Debe mantener limpias las áreas de control, el quemador y los pasillos de aire circulante del calefactor. Inspeccione estas áreas del calefactor antes de cada uso. Haga que una persona de servicio calificada inspeccione el calefactor una vez al año. El calefactor puede necesitar limpieza frecuente debido a pelusa proveniente de alfombras, ropa de cama, pelo de mascotas, etc.

⚠ ADVERTENCIA: No mantener limpias las aberturas de aire primario del quemador puede resultar en generación de hollín y daños a la propiedad.

LIMPIEZA DEL ODS/PILOTO Y QUEMADOR

Use una aspiradora, aire presurizado o un cepillo pequeño de cerda suave para limpiar el rostro de la baldosa, el orificio y el quemador primario. Revise la abertura del quemador y asegúrese de que esté limpia.

LIMPIEZA DEL AGUJERO DE ENTRADA DEL AIRE DEL PILOTO DEL QUEMADOR

Recomendamos que limpie la unidad cada tres meses o después de 2,500 horas de operación. También recomendamos que mantenga el tubo del quemador y el ensamblaje del piloto limpios y libres de polvo y suciedad. Para limpiar estas piezas, recomendamos usar aire comprimido a no más de 30 PSI. Puede usar una aspiradora en la posición de soplado. Si usa aire comprimido en una lata, siga las instrucciones en la lata. Si no sigue las instrucciones en la lata, podría dañar el ensamblaje del piloto.

⚠ PRECAUCIÓN: Nunca use un alambre, aguja u objeto similar para limpiar el ODS/piloto. Esto puede dañar la unidad del ODS/ piloto.

1. Apague la unidad incluyendo el piloto. Deje que la unidad se enfríe al menos durante 30 minutos.
2. Retire 4 tornillos - 2 tornillos en cada lado del panel frontal.
3. Hale hacia adelante el panel frontal.
4. Sople aire a través de los puertos/ranuras y agujeros en el quemador. Limpie también el ensamblaje del piloto. Una punta amarilla en la llama del piloto indica polvo y suciedad en el ensamblaje del piloto. Hay un pequeño agujero en la entrada de aire del piloto a dos pulgadas desde donde la llama del piloto sale del ensamblaje del piloto (Ver Fig. 26 y 27 en la página 20). Con la unidad apagada, sople aire ligeramente a través del agujero de entrada de aire. Puede soplar a través de una pajilla si no tiene aire disponible.
5. Vuelva a colocar el panel frontal cuando haya terminado usando los tornillos que retiró.

LIMPIEZA DE LOS PASILLOS DE AIRE DEL GABINETE

Use una aspiradora o aire presurizado para limpieza.

LIMPIEZA DEL VENTILADOR (MODELOS SELECCIONADOS)

Con cuidado, use una aspiradora o aire comprimido para mantener el compartimiento del ventilador y las aspas libres de polvo y desechos.

NOTA: El motor del ventilador está prelubricado para prolongar la vida del cojinete y no requiere lubricación adicional.

LIMPIEZA DEL EXTERIOR

Use un paño suave humedecido con una mezcla de jabón suave y agua. Limpie el gabinete para eliminar el polvo.

RESOLUCIÓN DE FALLAS

⚠️ **ADVERTENCIA:** Si huele gas:

- Apague el suministro de gas.
- No trate de encender ningún aparato.
- No toque ningún interruptor eléctrico; no use ningún teléfono en su edificio.
- Llame de inmediato a su proveedor de gas del teléfono de un vecino. Siga las instrucciones del proveedor de gas.
- Si no puede contactar a su proveedor de gas, llame al Cuerpo de Bomberos.

IMPORTANTE: La operación del calentador donde existan impurezas en el aire puede crear malos olores. Los suministros de limpieza, pintura, removedor de pintura, humo de cigarrillo, cementos y pegamentos, alfombra nueva o textiles, etc. crean humos. Estos humos pueden mezclarse con el aire de la combustión y crear malos olores.

⚠️ **ADVERTENCIA:** Asegúrese de que la energía esté apagada antes de proceder.

⚠️ **ADVERTENCIA:** Apague el calefactor y deje que se enfríe antes de darle servicio. Solo una persona de servicio calificada debe dar servicio y reparar el calefactor.

PROBLEMA	CAUSA POSIBLE	ACCIÓN CORRECTIVA
Cuando se oprime el encendedor, no hay chispa en el ODS/piloto.	<ol style="list-style-type: none"> 1. El electrodo del encendedor está colocado de forma incorrecta. 2. El electrodo del encendedor está roto. 3. El electrodo del encendedor no está conectado al cable del encendedor. 4. El cable del encendedor está aplastado o húmedo. 5. Cable del encendedor dañado. 6. Encendedor o módulo de ignición malo. 7. Batería mala. 	<ol style="list-style-type: none"> 1. Reemplace el ODS. 2. Reemplace el ODS. 3. Reemplace el cable del encendedor. 4. Libere el cable del encendedor si está aplastado por algún metal o tubería. Mantenga seco el cable del encendedor. 5. Reemplace el cable del encendedor. 6. Reemplace el encendedor o módulo de ignición. 7. Reemplace la batería.
La unidad se apaga después de funcionar unos pocos minutos.	<ol style="list-style-type: none"> 1. El suministro de gas está apagado o la válvula de cierre del equipo está cerrada. 2. La perilla de control no está completamente oprimida mientras se presiona el encendedor. 3. Aire en las líneas de gas cuando se instalaron. 4. El ODS / piloto está obstruido. 5. La perilla de control no está en la posición PILOT. 6. Suministro de gas agotado (propano). 	<ol style="list-style-type: none"> 1. Encienda el suministro de gas o abra la válvula de cierre del equipo. 2. Oprima por completo la perilla de control mientras presiona el encendedor. 3. Continúe oprimiendo la perilla de control. Repita la operación de ignición hasta que el aire sea removido. 4. Limpie el ODS/piloto (ver Cuidado y Mantenimiento, página 21) o reemplace el ensamblaje del ODS/piloto. 5. Gire la perilla de control a la posición "PILOT". 6. Póngase en contacto con la compañía local de propano/Gas PL.

RESOLUCIÓN DE FALLAS

PROBLEMA	CAUSA POSIBLE	ACCIÓN CORRECTIVA
El ODS/piloto enciende pero la llama se apaga cuando la perilla de control se suelta.	<ol style="list-style-type: none"> 1. La perilla de control no está completamente presionada. 2. La perilla de control no está presionada suficiente tiempo. 3. La válvula de cierre del equipo no está completamente abierta. 4. La conexión del termopar está floja. 5. Termopar dañado. 6. Válvula de control dañada. 7. La presión del gas de entrada es demasiado alto 	<ol style="list-style-type: none"> 1. Oprima por completo la perilla de control. 2. Después que enciendan el ODS/piloto, mantenga la perilla de control oprimida durante 30 a 60 segundos. 3. Abra por completo la válvula de cierre del equipo. 4. Apriete a mano hasta que se ajuste y luego apriete ¼ de vuelta más. 5. Reemplace el termopar. 6. Llame a Servicio al Cliente. 7. Llame a su proveedor de gas.
El(los) quemador(es) no enciende(n) después de que el ODS/piloto enciende.	<ol style="list-style-type: none"> 1. Ajuste demasiado bajo del termostato. 2. El orificio del quemador está obstruido. 3. El diámetro del orificio del quemador es demasiado pequeño. 4. La presión del gas de entrada es demasiado baja. 	<ol style="list-style-type: none"> 1. Gire la perilla del termostato a un ajuste más alto. 2. Limpie el ofiricio del quemador (ver Cuidado y Mantenimiento, página 21) o póngase en contacto con Servicio al Cliente. 3. Llame a Servicio al Cliente. 4. Llame a su proveedor de gas.
Ignición retrasada del(los) quemador(es).	<ol style="list-style-type: none"> 1. La presión del distribuidor es demasiado baja. 2. El orificio del quemador está obstruido. 	<ol style="list-style-type: none"> 1. Llame a su proveedor de gas. 2. Limpie el quemador (ver Cuidado y Mantenimiento, página 21) o llame a servicio al cliente.
Retorno de llama del quemador durante la combustión.	<ol style="list-style-type: none"> 1. El orificio del quemador está obstruido o dañado. 2. El quemador está dañado. 3. El regulador de gas está dañado. 	<ol style="list-style-type: none"> 1. Limpie el ofiricio del quemador (ver Cuidado y Mantenimiento, página 21) o póngase en contacto con Servicio al Cliente. 2. Llame al concesionario o servicio al cliente. 3. Reemplace el regulador de gas.
Llama amarilla alta durante la combustión del quemador.	<ol style="list-style-type: none"> 1. Aire insuficiente. 2. El regulador de gas está defectuoso. 	<ol style="list-style-type: none"> 1. Revise el quemador en busca de suciedad y desechos. Si se encuentran, limpie el quemador (ver Cuidado y Mantenimiento, página 21). 2. Reemplace el regulador de gas.
Olor a gas durante la combustión.	<ol style="list-style-type: none"> 1. Material extraño entre la válvula de control y el quemador. 2. Fuga de gas. (Ver Declaración de advertencia en la parte superior de la página 23). 	<ol style="list-style-type: none"> 1. Desarme la tubería de gas y retire el material extraño. 2. Localice y corrija todas las fugas (ver "Revisión de las conexiones de gas", página 17).
El calefactor produce un chasquido/tictac justo después de que el quemador se enciende o apaga.	<ol style="list-style-type: none"> 1. El metal se expande mientras se calienta o se contrae mientras se enfría. 	<ol style="list-style-type: none"> 1. Esto es común en la mayoría de calentadores. Si el ruido es excesivo, póngase en contacto con un técnico de servicio calificado.

RESOLUCIÓN DE FALLAS

PROBLEMA	CAUSA POSIBLE	ACCIÓN CORRECTIVA
Residuo de polvo blanco que se forma dentro de la caja del quemador o en paredes adyacentes o muebles.	1. Cuando se calientan, los vapores del pulidor de muebles, cera, limpiadores de alfombra, ect. se convierten en residuo de polvo blanco.	1. Apague el calefactor cuando use pulidor de mueble, cera, limpiador de alfombra o productos similares.
El calefactor produce olores indeseados.	1. El calefactor está quemando vapores de pintura, spray para el cabello, pegamentos, etc. Ver declaración IMPORTANTE, página 22. 2. Fuga de gas. Ver Declaración de advertencia, página 23. 3. Bajo suministro de combustible.	1. Ventile la habitación. Deje de usar productos que producen olor mientras el calefactor está funcionando. 2. Localice y corrija todas las fugas (ver "Revisión de las conexiones de gas", página 17). 3. Llene el tanque de suministro (Modelos de Propano /PL).
El calefactor se apaga en uso (opera el ODS).	1. No está disponible suficiente aire fresco. 2. Presión de línea baja. 3. El ODS / piloto está parcialmente obstruido.	1. Abra la ventana y/o puerta para ventilación. 2. Llame a su proveedor local de gas. 3. Limpie el ODS/piloto (ver Cuidado y mantenimiento, página 22).
Hay olor a gas incluso cuando la perilla de control está en la posición OFF.	1. Fuga de gas. Ver Declaración de advertencia en la parte superior de la página 22. 2. La válvula de control está defectuosa.	1. Localice y corrija todas las fugas (ver "Revisión de las conexiones de gas", página 17). 2. Llame a Servicio al Cliente.
Se advierte humedad/condensación en las ventanas.	1. El aire de combustión/ventilación es insuficiente.	1. Consulte requisitos de "Aire para combustión y ventilación", página 8.
Humo u olor escasos durante la operación inicial	1. Residuos del proceso de fabricación.	1. El problema terminará después de unas pocas horas de operación.
El calefactor produce un silbido cuando el calefactor está encendido.	1. Girar la perilla de control a la posición (5) alta cuando el quemador está frío. 2. Aire en la línea de gas. 3. Los pasillos de aire en el calefactor están obstruidos. 4. Orificio del quemador sucio o parcialmente obstruido.	1. Girar la perilla de control a la posición (1) baja y deje que caliente durante un minuto. 2. Opere el quemador hasta que el aire sea removido de la línea. Haga que la línea de gas la revise la compañía local de propano/gas PL. 3. Respete los espacios libres mínimos de instalación (Fig. 3, página 11) 4. Limpie el quemador (ver Cuidado y mantenimiento, página 22) o llame a servicio al cliente.

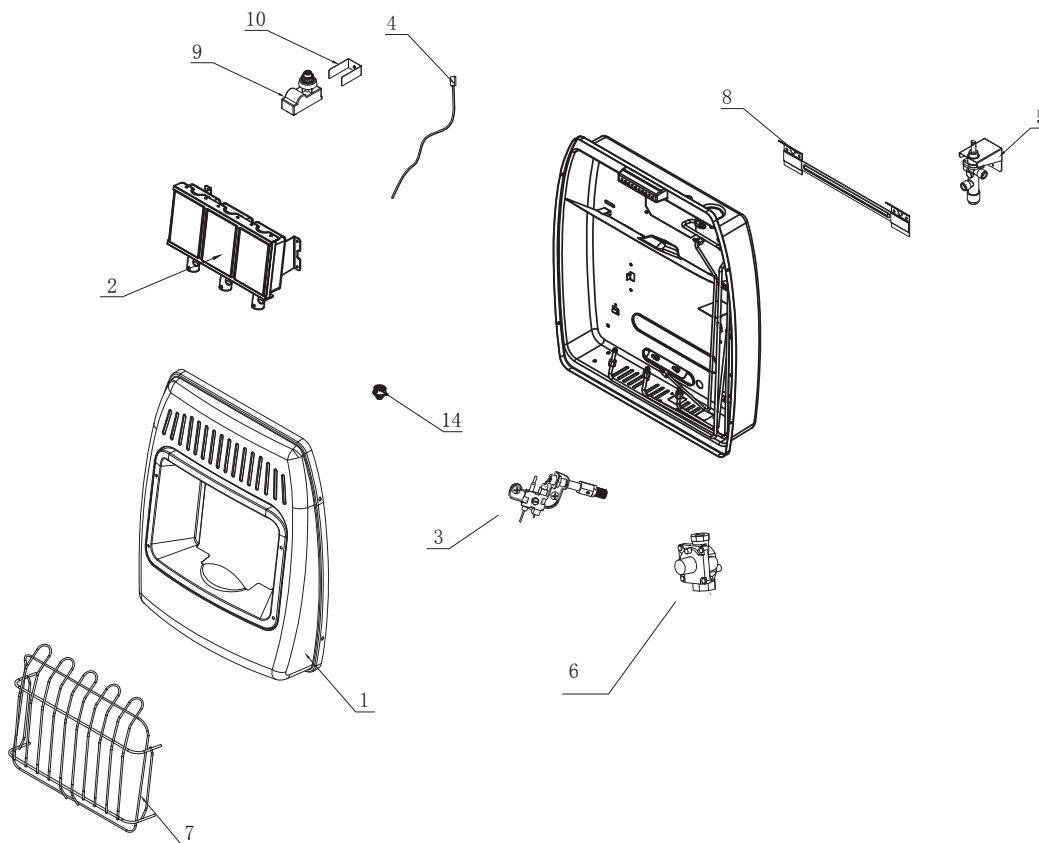
RESOLUCIÓN DE FALLAS

PROBLEMA	CAUSA POSIBLE	ACCIÓN CORRECTIVA
El ventilador no está girando.	<ol style="list-style-type: none">1. No hay energía en el ventilador.2. El ventilador está ajustado a "AUTO".3. El motor del ventilador está malo.	<ol style="list-style-type: none">1. Compruebe que el ventilador esté conectado y ajustado a "MAN" o "AUTO".2. Espere de 5 a 10 minutos para que el ventilador se enganche.3. Reemplace el ventilador.
El ventilador está haciendo un alto ruido.	<ol style="list-style-type: none">1. La carcasa o las aspas del ventilador están sucias.2. La rotación del ventilador está bloqueada.3. Ventilador defectuoso.	<ol style="list-style-type: none">1. Ver "Limpieza del ventilador", página 22.2. Compruebe que el cableado no esté en el paso del ventilador.3. Reemplace el ventilador.

LISTA DE PIEZAS DE REPUESTO

Para piezas de repuesto, llame a nuestro departamento de servicio al cliente al 1-877-447-4768, de lunes a viernes, de 8:30 a.m. a 4:30 p.m., hora estándar del Centro.

⚠ ADVERTENCIA: Use solamente piezas de repuesto genuinas de GHP Group, Inc. El uso de piezas que no sean piezas de repuesto originales puede resultar en daños a la propiedad, lesiones personales e incluso la muerte.



Artículo No.	DESCRIPCIÓN	QTY	NÚMERO DE PIEZA			
			IR6P/6N Serie	IR12P/12N Serie	IR18P/18N Serie	IR30P/30N Serie
1	Ensamble del Panel Frontal	1	AQ000090B	AQ000090	AQ000060	AQ000001
2	Ensamble del Quemador	1	AQ000098	AQ000368 LP AQ000380 NG	AQ000370 LP AQ000381 NG	AQ000371 LP AQ000382 NG
3	Ensamble del SAO (Completo)					
3-1	SAO - (GN) Piloto de Gas Natural	1	AQ000121	AQ000121-1	AQ000121-2	AQ000121-2
3-2	SAO - (PL) Piloto de Propano	1	AQ000120	AQ000120-1	AQ000120-2	AQ000120-2
4	Cable Conector del A+B	1	AQ000110	AQ000110	AQ000052	AQ000052
5	Válvula Manual de Gas	1	AQ000112	AQ000327	AQ000363	AQ000363 - LP AQ000369 - NG
6-1	(GN) Ensamble del Regulador	1	GR-130A	GR-130A	GR-130A	GR-130A
6-2	(PL) Ensamble del Regulador	1	GR-130	GR-130	GR-130	GR-130
7	Parrilla Delantera	1	AQ000099	AQ000099	AQ000063	AQ000023
8	Soporte de Pared	1	AQ000108	AQ000108	AQ000006	AQ000006
9	Módulo del Encendedor	1	AQ000221	AQ000221	AQ000221	AQ000221
10	Soporte del Encendedor	1	AQ000019	AQ000019	AQ000019	AQ000019
11	Pata de Apoyo (Modelos seleccionados)	2	AQ000038*	AQ000038*	AQ000038*	AQ000038*
12	Ensamble del ventilador (Modelos seleccionados)	1	N/A	AQ000232*	AQ000232*	AQ000232*
13	Paquete de Hardware	1	AQ000233*	AQ000233*	AQ000233*	AQ000233*
14-1	Orificio de Reemplazo (PL)	1	AQ000201 (1 por unidad)	AQ000326 (2 por unidad)	AQ000326 (3 por unidad)	AQ000361 (2 por unidad) AQ000326 (3 por unidad)
14-2	Orificio de Reemplazo (GN)	1	AQ000200 (1 por unidad)	AQ000333 (2 por unidad)	AQ000333 (3 por unidad)	AQ000362 (2 por unidad) AQ000333 (3 por unidad)

* El artículo / versión no se muestra en el diagrama detallado de las piezas

Garantía

El fabricante garantiza que su nuevo producto está libre de defectos de fabricación y materiales por un periodo de un año a partir de la fecha de compra, sujeto a las siguientes condiciones y limitaciones.

1. Este producto debe ser instalado y operado en todo momento de acuerdo con las instrucciones proporcionadas con el producto. Cualquier alteración, abuso intencionado, accidente o mal uso del producto anulará esta garantía.
2. Esta garantía es intransferible y es hecha al propietario original, siempre que la compra fue hecha mediante un proveedor autorizado del fabricante.
3. Esta garantía está limitada a la reparación o reemplazo de pieza(s) que se encuentren defectuosas en materiales o mano de obra, siempre que tal(es) pieza(s) hayan estado sujetas a condiciones normales de uso y servicio, luego de que dicho defecto sea confirmado por la inspección de fabricante.
4. El fabricante puede, a su discreción, liberar de todas las obligaciones, con respecto a esta garantía mediante el reembolso del precio al por mayor de la(s) pieza(s) defectuosa(s).
5. Cualquier costo/gasto de instalación, trabajo, construcción, transporte u otros costos/gastos relacionados que surjan de pieza(s) defectuosa(s), reparación, reemplazo o de otra manera relativa a los mismos, no serán cubiertos por

esta garantía, y tampoco el fabricante asumirá responsabilidad por lo mismo. Además, el fabricante no será responsable de ningún daño incidental, indirecto o consecuente, excepto como lo establezca la ley.

6. Todas las otras garantías, expresas o implícitas, con respecto al producto, sus componentes y accesorios, o cualquier obligación/responsabilidad civil sobre la pieza del fabricante, por la presente se excluyen expresamente.
7. El fabricante tampoco asume, ni autoriza a ninguna tercera parte a asumir, en su nombre, cualquier otra responsabilidad civil con respecto a la venta de este producto.
8. Las garantías como están descritas dentro de este documento, no aplican a accesorios que no son del fabricante usadas junto con la instalación de este producto.

Esta garantía no tiene validez si:

- a) El producto ha sido operado en atmósferas contaminadas por cloro, flúor u otros productos químicos perjudiciales.
- a. El producto está sujeto a periodos prolongados de humedad o condensación.
- c) Cualquier alteración no autorizada, abuso intencionado, accidente o mal uso del producto.

SI SE NECESITA SERVICIO DE GARANTÍA. . .

- 1) Comuníquese con servicio al cliente al 1-877-447-4768, de lunes a viernes, de 8:30 a.m. a 4:30 p.m., hora estándar del Centro. Asegúrese de tener su garantía, su recibo de venta y el número de modelo/serie de su producto.
- 2) NO INTENTE HACER TRABAJO DE SERVICIO USTED MISMO.

PARA REGISTRAR LA GARANTÍA DE SU CALEFACTOR, LLENE COMPLETAMENTE ESTA TARJETA Y ENVÍELA POR CORREO DENTRO DE 14 DÍAS A PARTIR DE LA FECHA DE COMPRA O REGÍSTRESE EN LÍNEA EN ghpgroupinc.com

NOMBRE : _____ TELÉFONO: () _____ CORREO ELECTRÓNICO: _____
DIRECCIÓN: _____ CIUDAD: _____ ESTADO: _____ CÓDIGO POSTAL: _____
MODELO: _____ NÚMERO DE SERIE _____ FECHA DE COMPRA: _____
TIENDA MINORISTA DE LA COMPRA: _____ TIPO DE TIENDA: _____
CIUDAD Y ESTADO DONDE SE HIZO LA COMPRA: _____ PRECIO PAGADO: _____

Por favor, tómese un minuto para darnos sus respuestas a las siguientes preguntas.

Todas las respuestas serán usadas únicamente para investigación de mercado y serán mantenidas en estricta confidencialidad.

¿Quién decidió principalmente esta compra? Hombre Mujer 18-24 25-39 40-59 60 y mayor

¿Propósito de la compra? _____

¿Posee otro calefactor portátil? Sí No Si la respuesta es Sí, tipo _____ marca _____

¿Cómo pretende usar su nuevo calefactor? Sitio de construcción Granja Bodega/Comercial Garaje/Construcción anexa Otro

¿Cómo se dio cuenta de este calefactor? Exhibidor de la tienda Anuncio de periódico Anuncio de revista Amigo/Pariente

Comercial de TV Vendedor de la tienda Otro _____

¿Qué lo hizo elegir este calefactor? Estilo Tamaño/Portabilidad Precio Empaque Marca Otro _____

Usted: Posee Alquila ¿Le recomendaría este calefactor a un amigo? Sí No

Por favor, denos sus comentarios: _____

¡GRACIAS POR LLENAR ESTE FORMULARIO!

La información se mantendrá confidencial.

REGISTRO DE LA GARANTÍA

IMPORTANTE: Le urgimos que llene su tarjeta de registro de la garantía en el plazo de catorce (14) días después de la fecha de compra. También puede registrar su garantía en internet en www.ghpgroupinc.com. Complete el número de serie. Conserve esta porción de la tarjeta para sus registros.



GHP Group, Inc.
6440 W Howard St
Niles, IL 60714-3302

Tel: (877) 447-4768
www.ghpgroupinc.com

¡GUARDE ESTA TARJETA!

GHP Group, Inc.
6440 W Howard St
Niles, IL 60714-3302