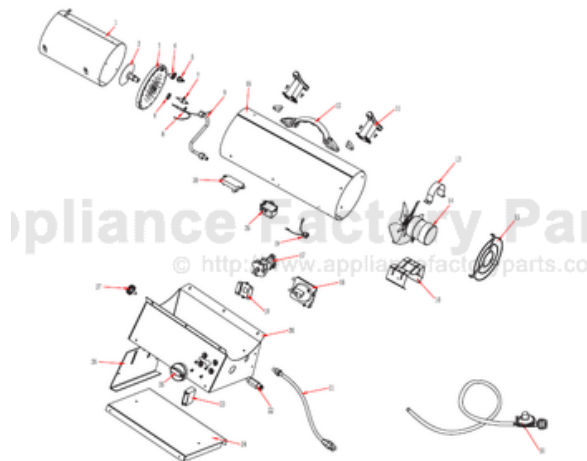


This Owner's Manual is provided and hosted by [Appliance Factory Parts](#).



# DYNA-GLO LPFA125H-1 Owner's Manual

[Shop genuine replacement parts for DYNA-GLO  
LPFA125H-1](#)



[Find Your DYNA-GLO HVAC Parts - Select From 146 Models](#)

----- Manual continues below -----



# PROPANE CONSTRUCTION HEATER

## USER'S MANUAL AND OPERATING INSTRUCTIONS

<b>Dyna-Glo™DELUX MODELS:</b>	RMC-FA40DGD	(40,000 BTU/HR,	FORCED - AIR)
	RMC-FA50DGD	(30,000/50,000 BTU/HR,	FORCED - AIR)
	RMC-FA60DGD	(30,000/60,000 BTU/HR,	FORCED - AIR)
	RMC-FA100DGD	(70,000/100,000 BTU/HR,	FORCED - AIR)
	RMC-FA125DGD/LPFA125DGD	(70,000/125,000 BTU/HR,	FORCED - AIR)
	RMC-FA150DGD	(120,000/150,000 BTU/HR,	FORCED - AIR)

<b>Dyna-Glo™Pro MODELS:</b>	RMC-FA40/DGP/DGP-01	(40,000 BTU/HR,	FORCED - AIR)
	RMC-FA50/DGP/DGP-01	(30,000/50,000 BTU/HR,	FORCED - AIR)
	RMC-FA60/DGP/DGP-01	(30,000/60,000 BTU/HR,	FORCED - AIR)
	RMC-FA100/DGP/DGP-01	(70,000/100,000 BTU/HR,	FORCED - AIR)
	RMC-FA125/DGP/DGP-01	(70,000/125,000 BTU/HR,	FORCED - AIR)
	LPFA125H/LPFA125H-01 RMC-FA150/DGP/DGP-01	(120,000/150,000 BTU/HR,	FORCED - AIR)



C US

ANS Z83.7-2011 CSA 2.14-2011



Adequate ventilation must be provided.



**GHP Group, Inc.**  
6440 W Howard St  
Niles, IL 60714-3302



FA40DGP-01



FA60DGP/DGP-01



LPFA125H/H-01



### **GENERAL HAZARD WARNING**

FAILURE TO COMPLY WITH THE PRECAUTIONS AND INSTRUCTIONS PROVIDED WITH THIS HEATER, CAN RESULT IN DEATH, SERIOUS BODILY INJURY AND PROPERTY LOSS, OR DAMAGE FROM THE HAZARDS OF FIRE, EXPLOSION, BURN, ASPHYXIATION, CARBON MONOXIDE POISONING, AND/OR ELECTRICAL SHOCK.

ONLY PERSONS WHO CAN UNDERSTAND AND FOLLOW THE INSTRUCTIONS SHOULD USE OR SERVICE THIS HEATER.

IF YOU NEED ASSISTANCE OR HEATER INFORMATION SUCH AS AN INSTRUCTION MANUAL, LABELS, ETCETERA, CONTACT THE MANUFACTURER.

**CONSUMER:** Retain this manual for future reference.

Questions, problems, missing parts? Before returning to your retailer, call our customer service department at 877-447-4768 8:30 a.m. – 4:30 pm CST, Monday – Friday or email us at [customerservice@ghpgroupinc.com](mailto:customerservice@ghpgroupinc.com)

[www.ghpgroupinc.com](http://www.ghpgroupinc.com)

Printed in China

IMLPFDG - GDK




# PROPANE CONSTRUCTION HEATER




## TABLE OF CONTENTS

Introduction & Specifications . . . . .	3
• General Safety Instructions . . . . .	4
• Product Features . . . . .	4
• Unpacking Heater . . . . .	5 - 6
• Size & Capacity Of Propane Cylinders . . . . .	7
• Installation To The Propane Gas Tank . . . . .	8
• Refilling The Propane Gas Tank . . . . .	8
• Leak Checking & Positioning Heater . . . . .	9
• Lighting & Shutdown Instructions . . . . .	9 - 10
• Test Firing Heater & Storage . . . . .	10
• Troubleshooting . . . . .	10
• Wiring Diagrams . . . . .	12 - 13
Replacement Parts List . . . . .	15, 17, 19
PROPANE CONSTRUCTION HEATER ILLUSTRATED / PARTS BREAKDOWN:	
RMC-FA40, 50 & 60 SERIES . . . . .	14
RMC-FA100DGD, RMC-FA125DGD, LPFA125H & RMC-FA150DGD . . . . .	16
RMC-FA100DGP/DGP-01, RMC-FA125DGP/DGP-01 & LPFA125DGD . . . . .	18
• Warranty . . . . .	20

 **WARNING:** FIRE, BURN, INHALATION, AND EXPLOSION HAZARD, KEEP SOLID COMBUSTIBLES, SUCH AS BUILDING MATERIALS, PAPER OR CARDBOARD, A SAFE DISTANCE AWAY FROM THE HEATER AS RECOMMENDED BY THE INSTRUCTIONS.

NEVER USE THE HEATER IN SPACES WHICH DO OR MAY CONTAIN VOLATILE OR AIRBORNE COMBUSTIBLES, OR PRODUCTS SUCH AS GASOLINE, SOLVENTS, PAINT THINNERS, DUST PARTICLES OR UNKNOWN CHEMICALS.

**CALIFORNIA PROPOSITION 65:** Fuels used in gas or oil fired appliances and the products of combustion of such fuels, contain chemicals known to the State of California to cause cancer, birth defects or other reproductive harm. This product contains chemicals, including lead and lead compounds, known to the State of California to cause cancer, birth defects or other reproductive harm. *Wash hands after handling.*

 **WARNING:** Using this heater in a residential garage requires that the heater is positioned so that it is protected against any possible damage by a moving vehicle, etc. It must be positioned so that the base of the heater is no less than 18 in (450 mm) above the garage floor or 8 ft (2450 mm) in repair garages. The heater must be placed on a stable surface. Do not place it on a chair, ladder, etc. Raising the heater will reduce BUT NOT eliminate the possibility of lighting the vapor of any flammable liquids which may be improperly stored or accidentally spilled. If the smell of gasoline is present, DO NOT operate this heater until the area has been properly ventilated.

 **WARNING: CONSTRUCTION HEATERS ARE NOT FOR USE IN GARAGES IN CANADA.**

 **WARNING: NOT FOR HOME OR RECREATIONAL VEHICLE USE.**

NEVER LEAVE THE HEATER UNATTENDED WHILE BURNING!



# PROPANE CONSTRUCTION HEATER

## DYNA-GLO PROPANE FORCED AIR CONSTRUCTION HEATERS

The heater is designed and approved for use as a construction heater under ANS Z83.7 CSA 2.14. It is hard to anticipate every use which may be made of this heater. **CHECK WITH YOUR LOCAL FIRE SAFETY AUTHORITY IF YOU HAVE QUESTIONS ABOUT APPLICATIONS.**

Other standards govern the use of fuel gases and heat producing products in specific applications. Your local authority can advise you about these.

**IMPORTANT: READ THIS USER'S MANUAL CAREFULLY AND COMPLETELY BEFORE TRYING TO OPERATE OR SERVICE THIS HEATER. IMPROPER USE OF THIS HEATER CAN CAUSE SERIOUS INJURY OR DEATH FROM FIRE, EXPLOSION AND CARBON MONOXIDE POISONING.**

This is a direct-fired forced air construction heater for either indoor construction or outdoor use. Its intended use is primarily the temporary heating of buildings or structures under construction, alteration or repair. All the products of combustion generated by the heater are forced through the heater and released into the area being heated. This heater operates at approximately 98%+ combustion efficiency but still produces a small amount of carbon monoxide. Humans can tolerate small amounts of carbon monoxide for short periods. Carbon monoxide can build up in a heated space and failure to provide adequate ventilation could result in poisoning or death.

**⚠️ WARNING: NOT FOR USE WITH DUCT WORK.**

## SPECIFICATIONS

Model No.	RMC-FA40DGP/ DGP-01	FA50 Series	FA60 Series	RMC-FA100DGD/ DGP/DGP-01	LPFA125DGD/ RMC-FA125DGP/ DGP-01	LPFA125H/H-01/ RMC-FA125DGD	RMC-FA150DGD
<b>Input Rating</b>	40,000 BTU/hr	30,000 BTU/hr 50,000 BTU/hr	30,000 BTU/hr 60,000 BTU/hr	70,000 BTU/hr 100,000 BTU/hr	70,000 BTU/hr 125,000 BTU/hr	70,000 BTU/hr 125,000 BTU/hr	120,000 BTU/hr 150,000 BTU/hr
<b>Type of Gas</b>	Propane	Propane	Propane	Propane	Propane	Propane	Propane
<b>Gas Supply Pressure to Regulator Maximum</b>	Cylinder Pressure	Cylinder Pressure	Cylinder Pressure	Cylinder Pressure	Cylinder Pressure	Cylinder Pressure	Cylinder Pressure
<b>Minimum (for purpose of Input Adjustment)</b>	5psig	5psig	5psig	5psig	5psig	5psig	5psig
<b>Manifold Pressure</b>	11" W.C	11" W.C	11" W.C	11" W.C	11" W.C	11" W.C	11" W.C
<b>Gas Consumption</b>	1.9lbs/hr 0.86 kg/hr	1.4lbs/hr 0.63 kg/hr 2.3lbs/hr 1.04 kg/hr	1.4lbs/hr 0.63 kg/hr 2.8lbs/hr 1.27 kg/hr	3.3lbs/hr 1.5 kg/hr 4.6lbs/hr 2.09 kg/hr	3.3lbs/hr 1.5 kg/hr 5.8lbs/hr 2.63 kg/hr	3.3lbs/hr 1.5 kg/hr 5.8lbs/hr 2.63 kg/hr	5.6lbs/hr 2.54 kg/hr 7.0lbs/hr 3.18 kg/hr
<b>Electrical Input</b>	120V, 60Hz, 1Ø	120V, 60Hz, 1Ø	120V, 60Hz, 1Ø	120V, 60Hz, 1Ø	120V, 60Hz, 1Ø	120V, 60Hz, 1Ø	120V, 60Hz, 1Ø
<b>Amperage</b>	<b>Load</b>	0.68amps	0.65amps	0.65amps	0.7amps	0.7amps	0.7amps
<b>Fan</b>	<b>Unload Load</b>	3550rpm 3000rpm	3570rpm 3300rpm	3570rpm 3300rpm	3580rpm 3300rpm	3580rpm 3300rpm	3580rpm 3300rpm
<b>Ignition</b>	Piezo/Manual Spark	Continuous Spark	Continuous Spark	Continuous Spark	Continuous Spark	Continuous Spark	Continuous Spark
<b>Spark Gap</b>	0.16" (4mm)	0.16" (4mm)	0.16" (4mm)	0.16" (4mm)	0.16" (4mm)	0.16" (4mm)	0.11" (2.8mm)
<b>Size (LxWxH)</b>	19.3"x8.3"x15.2" (49.0x21.1x38.6)cm	19.3"x8.3"x15.2" (49.0x21.1x38.6)cm	19.3"x8.3"x15.2" (49.0x21.1x38.6)cm	25.6"x12.7"x15.6" (65.0x32.3x39.6)cm 25.6"x11.8"x16.1" (65.0x30.0x40.9)cm	26.6"x13.0"x17.3" (67.6x33.0x43.9)cm 25.6"x11.8"x16.1" (65.0x30.0x40.9)cm	26.2"x11.8"x17.2" (66.6x30.0x43.6)cm 25.6"x11.8"x16.1" (65.0x30.0x41.0)cm	25.6"x11.8"x16.1" (65.0x30.0x40.9)cm

# PROPANE CONSTRUCTION HEATER



## **GENERAL SAFETY INSTRUCTION**

Accidents are always tragic especially because so many of them could have been prevented with little care and judgment. There are some basic good practices, we hope you will follow for safe use of your heater.

## **IMPORTANT SAFETY INSTRUCTION**

- Children should be carefully supervised, when they are in the area.
- Always maintain proper clearance from combustible materials. Minimum clearance from combustibles: Side - 24" (61 cm); Top - 36" (92 cm); Front - 72" (183 cm). Floor - combustible. Not for use on finished floors.
- Heater must be placed on level and stable surface.
- Never place anything including clothes or other flammable items on the heater.
- The appliance area shall be kept clear and free from combustible materials, gasoline and other flammable vapours and liquids.
- Do not modify or operate a heater which has been modified.
- Adequate clearance for accessibility and for combustion & ventilation air supply must be maintained at all times when the heater is operating.
- Service and repair should be done by a qualified service person. The heater should be inspected before each use and at least annually by a qualified person. More frequent cleaning may be required as necessary. Do not service while hot or operating.
- Never connect heater to an unregulated gas supply.
- The heater is shipped from the factory for LP(Propane) gas. This heater is for use with propane gas only, do not convert heater to any other gas. Installation must conform to local codes or, in the absence of local codes, with the standard for the Storage and Handling of Liquefied Petroleum Gases ANSI/NFPA 58 and the Natural Gas and Propane Installation Code CSA B149.1
- The minimum and maximum inlet pressures to the regulator from the gas tank are 5 psi and bottle pressure, respectively. Use only the regulator & hose assembly provided with the heater. Inspect the regulator/hose assembly prior to each use of the heater. If there is excessive abrasion or wear, or hose is cut, replace with regulator/hose assembly listed on the parts list prior to using this heater.
- Gas supply connections should be checked using a 50/50 solution of liquid dish soap and never use a flame to check for gas leaks.
- The electrical connection & grounding must comply with National Electrical Code. ANSI/NFPA 70 or in Canada CSA C22.1, Canadian Electrical Code, Part 1. Use only a properly grounded three (3) prong receptacle.
- Do not restrict inlet or outlet by any means. The flow of combustion and ventilation air is not to be obstructed.
- This heater should not be directed toward any propane-gas container within 20 ft (6M). The heater must be located at least 6 ft. (1.83 m) in the U.S.; or (ii) 10 ft. (3 m) in Canada, from any propane gas container.
- The propane cylinder supply system must be arranged to provide for vapour withdrawal from the operating cylinder.
- This heater is not to be used with external thermostats, timers or other devices that control or alter electrical supply to the heater.

**⚠ WARNING:** Motor and fan must be running before lighting, during operation and at shutdown, in order to prevent a flame-out condition which could result in personal injury or property damage.

## **PRODUCT FEATURES**

- Portable & Stable
- Wind Resistant & Rain Protected
- Continuous Spark Ignition or Piezo Electric Spark Ignition
- 100% Safety Shutoff System
- Continuous Adjustable Input Ratings (Except FA40)

**NEVER LEAVE THE HEATER  
UNATTENDED WHILE BURNING!**



# PROPANE CONSTRUCTION HEATER

## **UNPACKING HEATER**

1. Remove heater from carton.
2. Remove all protective packing applied to heater for shipment.
3. Retain cartons and packaging material until unit is operated and found in good condition.
4. Check heater for any shipping damage. If heater shows any external or internal damage, promptly inform dealer/distributor where you purchased heater.

### **Assembly Components and Instructions for Steel Base Units:**

#### **Tools required for assembly:**

**All Models:** Adjustable Wrench  
**FA100 - FA150:** Phillips Head  
Screw Driver

#### **Contents:**

**All Models:** Unit, Manual, Hose and Regulator  
Assembly

#### **Assembly Time:**

5 Minutes

#### **FA100 - FA150 Series Includes:**

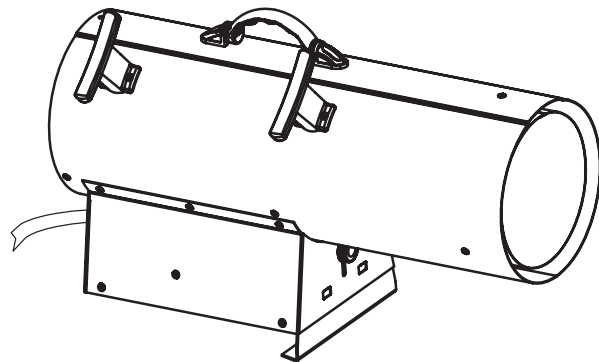
2 Cord Wrap Attachments, 4 Screws (ST3.5x10)

### **1. Assembling the Cord Wrap Attachments: (FA100 - FA150 Series Only)**

#### **Parts Required:**

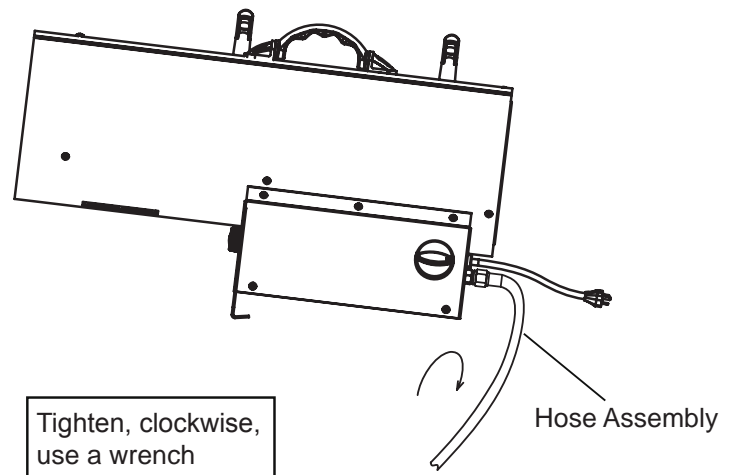
4 Screws (ST3.5x10),  
and 2 Cord Wrap Attachments

Place the cord wrap attachment as shown, then use Phillips screwdriver to tighten the screws and secure the cord wrap attachments.



### **2. Regulator and Hose Connection: (All Models)**

See figure on right.  
Connect the hose tightly to the heater using a wrench.  
Please also refer to page 8 in the manual.



# PROPANE CONSTRUCTION HEATER



## Assembly Components and Instructions for Plastic Base Units:

### Tools required for assembly:

**All Models:** Adjustable Wrench

**FA125 Series:** Phillips Head Screw Driver

### Contents:

**All Models:** Unit, Manual, Hose and Regulator Assembly, Adjustable Leg, 2 Height Control Screws

### FA125 Series Includes:

2 Cord Wrap Attachments, 4 Screws (ST3.5x10)

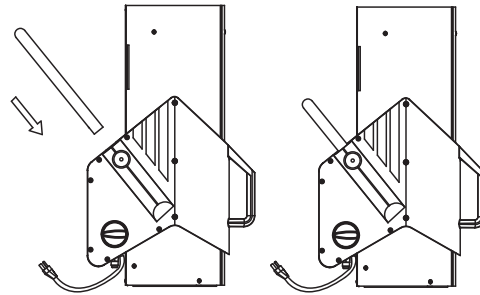
### Assembly Time:

5 Minutes

## 1. Assemble the Leg:

### Parts Required: Adjustable Leg

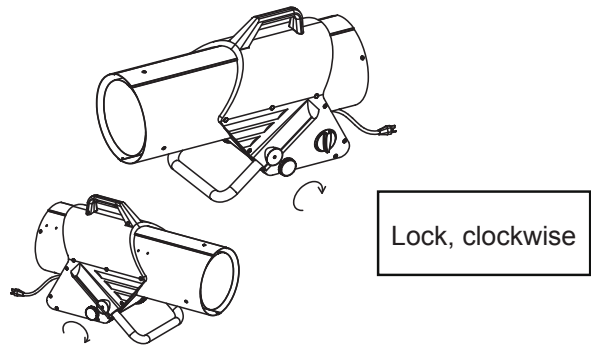
Place the heater as shown, insert the leg into holes of the base, then adjust to the desired height.



## 2. Assemble the Height Control Screw:

### Parts Required: Height Control Screw 2 pcs

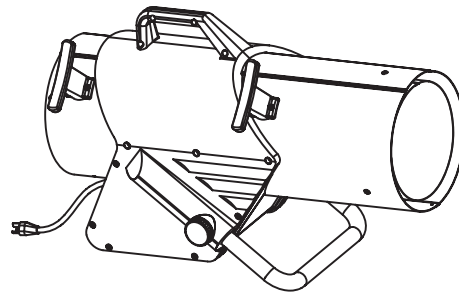
Turn the Height Control Screw clockwise to lock it. Turn the Height Control Screw counter-clockwise to unlock it.



## 3. Assembling the Cord Wrap Attachments:

### Parts Required: 4 Screws (ST3.5X10) and 2 Cord Wrap Attachments

Place the cord wrap attachments as shown, then use Phillips screwdriver to tighten the screws and secure the cord wrap attachments.

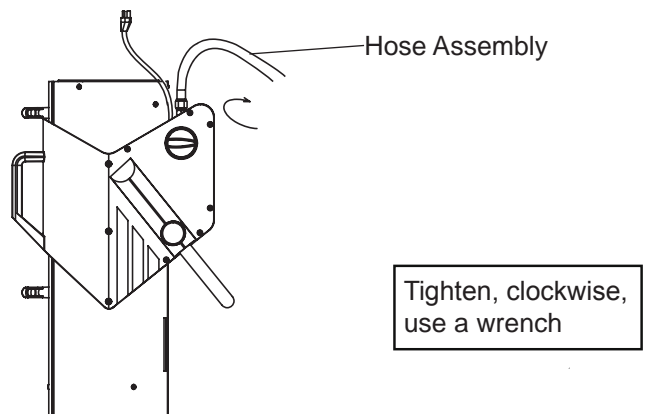


## 4. Regulator and Hose Connection:

See figure on right.

Connect the hose tightly to the heater using a wrench.

Please also refer to page 8 in the manual.



**NEVER LEAVE THE HEATER UNATTENDED WHILE BURNING!**





# PROPANE CONSTRUCTION HEATER

## **INFORMATION ON SIZE \* CAPACITY OF PROPANE GAS CYLINDERS:**

The chart below shows the number and size of propane tanks needed to run this heater.

\*Less gas is vaporized at lower temperatures.

You may need two or more 100 pound (45 kg) tanks or one larger tank in colder weather.

(See the parts list for your model of heater to get the specified regulator assembly.)

Temperature (°F-°C) at tank	Number of Tanks		
	40,000-60,000 BTU/h	100,000 - 125,000 BTU/h	150,000 BTU/h
Above 32°F (0°C)	1 - 20lb (9kg)	2 - 100lb (45kg)	2 - 100lb (45kg)
32°F (0°C)	1 - 20lb (9kg)	2 - 100lb (45kg)	2 - 100lb (45kg)
20°F (-7°C)	1 - 20lb (9kg)	2 - 100lb (45kg)	3 - 100lb (45kg)
10°F (-12°C)	1 - 20lb (9kg)	3 - 100lb (45kg)	3 - 100lb (45kg)
-10°F (-23°C)	2 - 20lb (9kg)	Use Larger Tank	Use Larger Tank
-20°F (-29°C)	1 - 100lb (45kg)	Use Larger Tank	Use Larger Tank

### **The propane (LP) gas tank must also be equipped with the following:**

- A collar to protect the Propane gas valve.
- A shutoff valve terminating a Propane gas cylinder valve outlet as specified in the American National Standards for Compressed Gas Cylinder Valve Outlets and Inlet Connections.
- A safety relief valve having direct communications with the vapor space of the tank.
- An arrangement of vapor withdrawal.

### **The propane (LP) gas pressure regulator and hose assembly supplied with this heater must be used without alteration.**

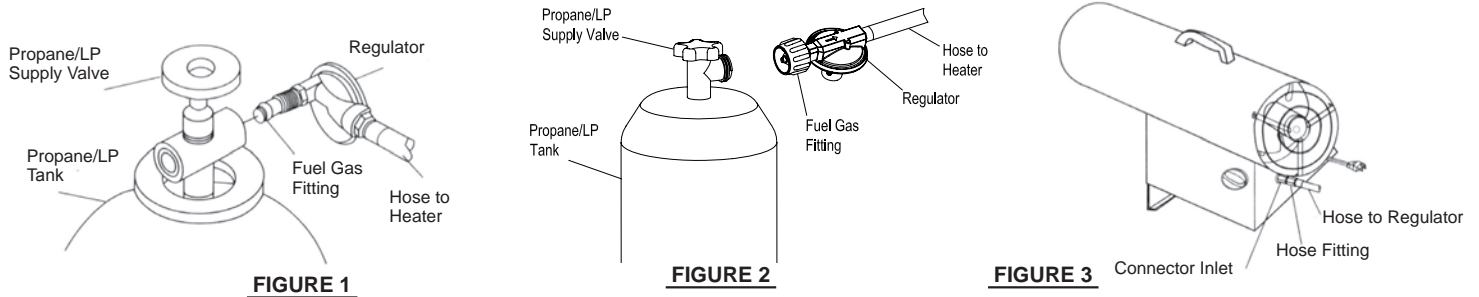
The hose assembly shall be visually inspected prior to each use of the heater. If it is evident that there is excessive abrasion or wear, or the hose is cut, it must be replaced prior to the heater being put into operation. The replacement hose assembly shall be that specified by the manufacturer.

# PROPANE CONSTRUCTION HEATER



## INSTALLATION TO THE PROPANE GAS TANK

**IMPORTANT:** You must use a propane/LP gas supply cylinder that is compatible with the connection device provided with the hose and regulator.



1. Provide propane/LP supply system. Ensure that the valve on the cylinder is fully closed by turning the knob fully clockwise (↻). Ensure that the cylinder is fully upright for vapor withdrawal. (see size/capacity, page 7).
2. Connect hose to heater inlet. Tighten firmly using a wrench. You must use the regulator supplied with heater.
3. Connect fuel gas fitting hose/regulator assembly to propane LP tank(s).
  - 3a. For units with a POL fitting (see figure 1) turn fuel fitting counterclockwise into threads on tank. Tighten firmly using a wrench. Some models have a hand wheel that can be used to tighten the fitting. This hand wheel can be slid off of the nut so that a wrench can also be used to tighten the fitting. **IMPORTANT:** Position regulator so that hose leaving the regulator is in a horizontal position.
  - 3b. For units with a QCC fitting (see figure 2) turn QCC gas fitting clockwise onto threads on tank. Tighten firmly using your hand (DO NOT USE A WRENCH). **IMPORTANT:** Position regulator so that the regulator vent is pointing down toward the floor and the arrow on the regulator is visible.
4. Open propane/LP supply valve on propane/LP tank(s) slowly. NOTE: If not opened slowly, excess flow device in regulator may stop gas flow. If this happens, close propane/LP supply valve, wait one minute (or until you hear a click) and open again slowly.
5. Check all connections for leaks. Apply a 50/50 solution of liquid dish soap and water to gas joints. Bubbles forming show a leak that must be corrected.
6. Close propane / LP supply valve before attempting to repair connection.

**WARNING:** Purging and filling of LP gas tanks must be performed by personnel who has been thoroughly trained in accepted LP gas industry procedures. Failure to follow these instructions may result in explosion, fire, severe personal injury, or death.

## REFILLING THE PROPANE GAS TANK

### ALL NEW CYLINDERS MUST BE PURGED BEFORE THE FIRST FILLING.

- Turn heater gas valve knob and gas tank valve to OFF position.
- Propane tank valve equipped with the old style fitting has LEFT HANDED THREADS. Turn POL fitting CLOCKWISE to loosen. Protect POL fitting when disconnected from tank.
- Have tank filled by your local Propane gas supplier.
- Fasten full Propane tank and connect POL fitting to tank valve by turning COUNTERCLOCKWISE.
- With heater gas valve knob still in the OFF position, turn ON tank valve and check for leaks with soap solution.

**NEVER LEAVE THE HEATER  
UNATTENDED WHILE BURNING!**



# PROPANE CONSTRUCTION HEATER

## **PROPANE SAFETY**

Propane is safe to use when properly handled. Careless handling of the Propane gas tank could result in fire and/or an explosion. Therefore:

- Always keep tank/cylinder securely fastened in an upright position.
- Avoid tipping tank on its side when connected to a regulator since this may cause damage to diaphragm in regulator.
- Handle valves with care.
- Never connect an unregulated Propane tank to construction heater.
- Do not subject Propane tank to excessive heat.
- Tightly close the gas shutoff valve on the Propane tank after each use.
- The POL fitting must be protected when disconnected from the propane tank.
- Never store a Propane gas tank inside a building or in the vicinity of any gas burning appliance.

**THE DISCONNECTED TANK MUST NEVER BE STORED IN A BUILDING, GARAGE OR ANY OTHER ENCLOSED AREA.**

## **LEAK CHECKING**







Check all gas connections with a soap solution to be sure they are tight and leak proof.

- The installation of your heater must meet all local codes and/or gas utility requirements or, in the absence of local codes, with the Storage and Handling of Liquefied Petroleum Gases, ANSI/ NFPA 58 and the Natural and Propane Installation Code, CSA B149.1.
- The minimum clearances to combustible construction: Side - 24" (61 cm); Top - 36" (92 cm); Front - 72" (183 cm); Floor - combustible, must be maintained at all times.
- The hose assembly should be visually inspected prior to each use of the heater. If it is evident that there is excessive abrasion or wear, or the hose is cut, it must be replaced prior to the heater being put into operation.
- The replacement hose assembly shall be that specified by the manufacturer (Refer to parts list).

## **LIGHTING INSTRUCTIONS**

**⚠ WARNING:** Motor and fan must be running before lighting, during operation and shutdown, in order to prevent a flame-out condition which could result in personal injury or property damage.

**NOTE:** This heater uses a continuous spark ignition system. This unit will continue to make a clicking/ticking sound at all times before ignition, after ignition and during operation, regardless of valve knob positioning.

1. Connect power cord to a properly grounded three (3) prong 120V, 60Hz, single phase receptacle.
2. Turn gas valve knob clockwise  to OFF  position.
3. Wait five (5) minutes to clear any gas. Then smell for gas, if you don't smell gas, go to next step.
4. Turn gas supply ON by turning Propane tank valve counterclockwise .
5. Push in and turn gas control knob counterclockwise  to "LOW/IGN". This will light the burner. If needed, keep pressing control knob until the burner lights and keep depressing and turning from OFF  to LOW/IGN on Piezo electric spark models. ("HIGH/IGN": In case of FA40 series)
6. Keep the valve knob depressed for at least 30 seconds after lighting the burner. After 30 seconds release valve knob.
7. If burner does not stay lit, repeat the lighting procedure.
8. When burner is lit, turn gas valve knob counterclockwise  to desired setting. (All models, except FA40 series).

**NEVER LEAVE THE HEATER UNATTENDED WHILE BURNING!**

# PROPANE CONSTRUCTION HEATER



## SHUTDOWN INSTRUCTIONS

**⚠ WARNING:** Motor and fan must be running before lighting, during operation and at shutdown, in order to prevent a flame-out condition which could result in personal injury or property damage. Turn gas valve knob clockwise ↻ to OFF ○ position. Turn gas supply OFF by turning Propane tank valve clockwise ↻ to close. Disconnect the power cord once the heater has cooled to ambient temperature.

## TEST FIRING HEATER

Test fire your construction heater, following the lighting instructions applicable to the gas control system employed. Leak test all gas connections with soap solution. Soap bubbles indicate gas leakage. DO NOT use a match or flame to test for gas leaks.

## STORAGE

Never store a Propane gas tank inside a building or in the vicinity of any gas or oil burning appliance. When the Propane tank is not disconnected from the construction heater, the gas tank and heater must be stored outdoors in a well ventilated area, out of the reach of children. If for any reason the heater is to be stored indoors, the tank must be disconnected and stored outdoors in a well ventilated area out of reach of children, in accordance with the standard for the the Storage and Handling of Liquefied Petroleum Gases, ANSI / NFPA 58 and CSA B149.1, Natural Gas and Propane Installation Code. The plastic tank valve plug supplied with your tank must be tightly installed when the tank is disconnected from the heater.

## MAINTENANCE INSTRUCTIONS

1. Turn unit off, allow heater to fully cool and disconnect propane hose before performing any Maintenance functions. Unplug the unit from the 120V receptacle.
2. Keep unit clean and keep the inside of the torpedo housing debris free.
3. Have unit checked by a qualified technician at least once a year, preferably prior to the heating season.

## REPLACEMENT PARTS

**Warning: Use only original replacement parts. This Heater must use design-specific parts. Do not substitute or use generic parts. Improper replacement parts could cause serious or fatal injuries.**

**This will also protect your warranty coverage for parts replaced under warranty.**

Parts warranty and non-warranty: Contact authorized dealers of this product. If they can not supply original replacement part(s), either contact your nearest Parts Central or GHP Group Inc., Technical Service Department at 1-877-447-4768.

When calling GHP Group Inc., have ready:

- your name
- your address
- how heater was malfunctioning
- serial number of heater
- model number of heater
- replacement part number

**NEVER LEAVE THE HEATER  
UNATTENDED WHILE BURNING!**



# PROPANE CONSTRUCTION HEATER

## TROUBLESHOOTING

PROBLEM	POSSIBLE CAUSE	CORRECTIVE ACTION
1. Control dial is off and unit is clicking/ticking	1. This heater uses a continuous spark ignition system. This unit will continue to make a clicking/ticking sound at all times before ignition, after ignition and during operation, regardless of valve knob positioning.	1. No corrective action is needed.
2. The unit is ticking/clicking while the heater is lit.	1. This heater uses a continuous spark ignition system. This unit will continue to make a clicking/ticking sound at all times before ignition, after ignition and during operation, regardless of valve knob positioning.	1. No corrective action is needed.
3. Fan does not turn when electrical connection is made.	1. No electric power to heater. 2. Fan blade contacts inside of heater housing. 3. Fan blade(s) bent 4. Fan motor defective.	1. Check current to electric outlet. If voltage is correct, check power cord and extension cord for 2. Be sure that housing is not damaged. Make sure there are no obstructions to the fan. 3. Straighten blade(s) to match others. 4. Replace motor.
4. Heater will not fire.	1. No spark at ignitor. 2. Improper spark gap. 3. Bad electrode.	1. Check ignitor wire. Re-attach or tighten if loose. Check Spark module. Replace if necessary. 2. Set gap (See specifications for gap). 3. Replace Spark Plug.
5. Heater quits while running.	1. Internal temperature too high causing limit switch to shut down operation. 2. Damaged Control Valve. 3. Dust or debris build-up inside of heater.	1. If the heaters output is restricted, internal temperature becomes too high. Move heater away from any obstructions. 2. Replace Control Valve. 3. Clean inside of heater.

**Always be sure to follow proper maintenance procedures, by cleaning the heater once per month during regular usage, and check spark gap at least once per season.**

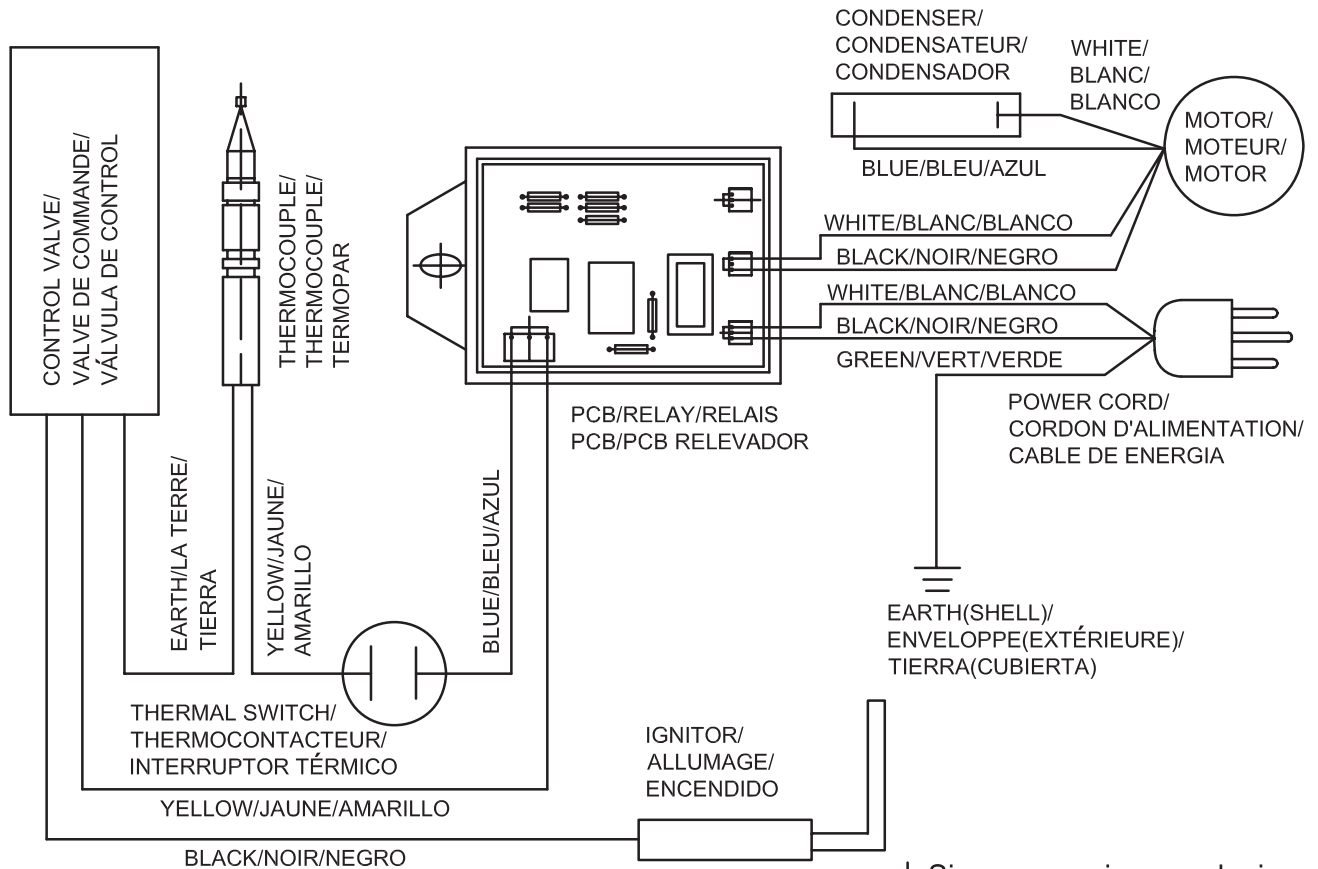
**NEVER LEAVE THE HEATER UNATTENDED WHILE BURNING!**

# PROPANE CONSTRUCTION HEATER



## WIRING DIAGRAMS

PIEZO / MANUAL SPARK MODELS  
MODÈLES À ÉTINCELLE PIÉZOÉLECTRIQUE / MANUELLE  
MODELOS DE CHISPA MANUAL O PIEZOELÉCTRICA



If any original wiring supplied with the heater must be replaced, it must be type AWG 105°C wire or its equivalent, except as indicated.

Si vous devez faire remplacer les fils d'origine du radiateur, procurez-vous du fil AWG 105 Celsius ou l'équivalent, sauf indication contraire.

Si se proporciona cualquier cableado con el calentador se debe reemplazar, debe ser cable tipo AWG 105°C o su equivalente, excepto como se indica.

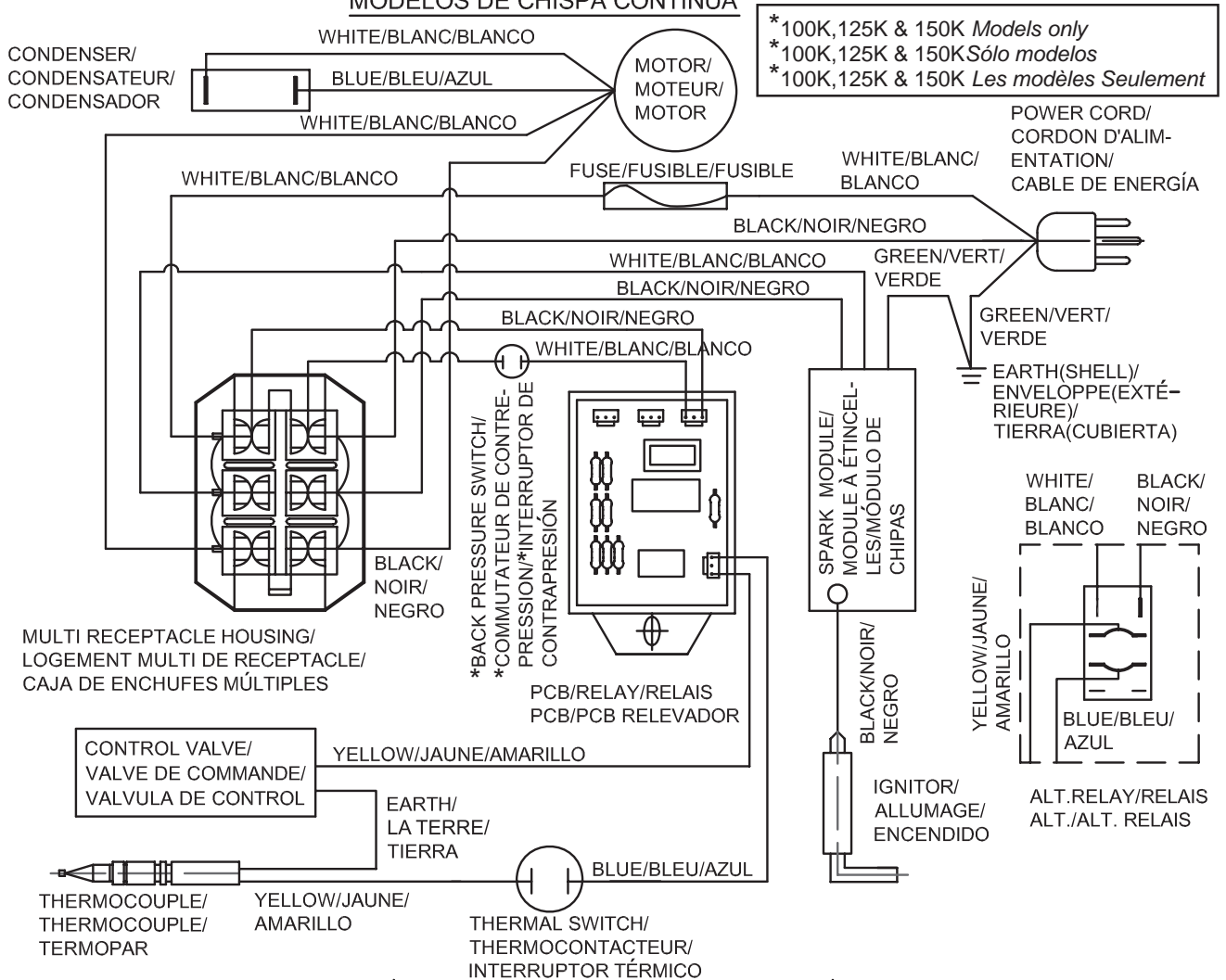
**NEVER LEAVE THE HEATER UNATTENDED WHILE BURNING!**



# PROPANE CONSTRUCTION HEATER

## WIRING DIAGRAMS

### CONTINUOUS SPARK MODELS/MODÈLES À ÉTINCELLE CONTINUE MODELOS DE CHISPA CONTINUA



If any original wiring supplied with the heater must be replaced, it must be type AWG 105°C wire or its equivalent, except as indicated.

Si vous devez faire remplacer les fils d'origine du radiateur, procurez-vous du fil AWG 105 Celsius ou l'équivalent, sauf indication contraire.

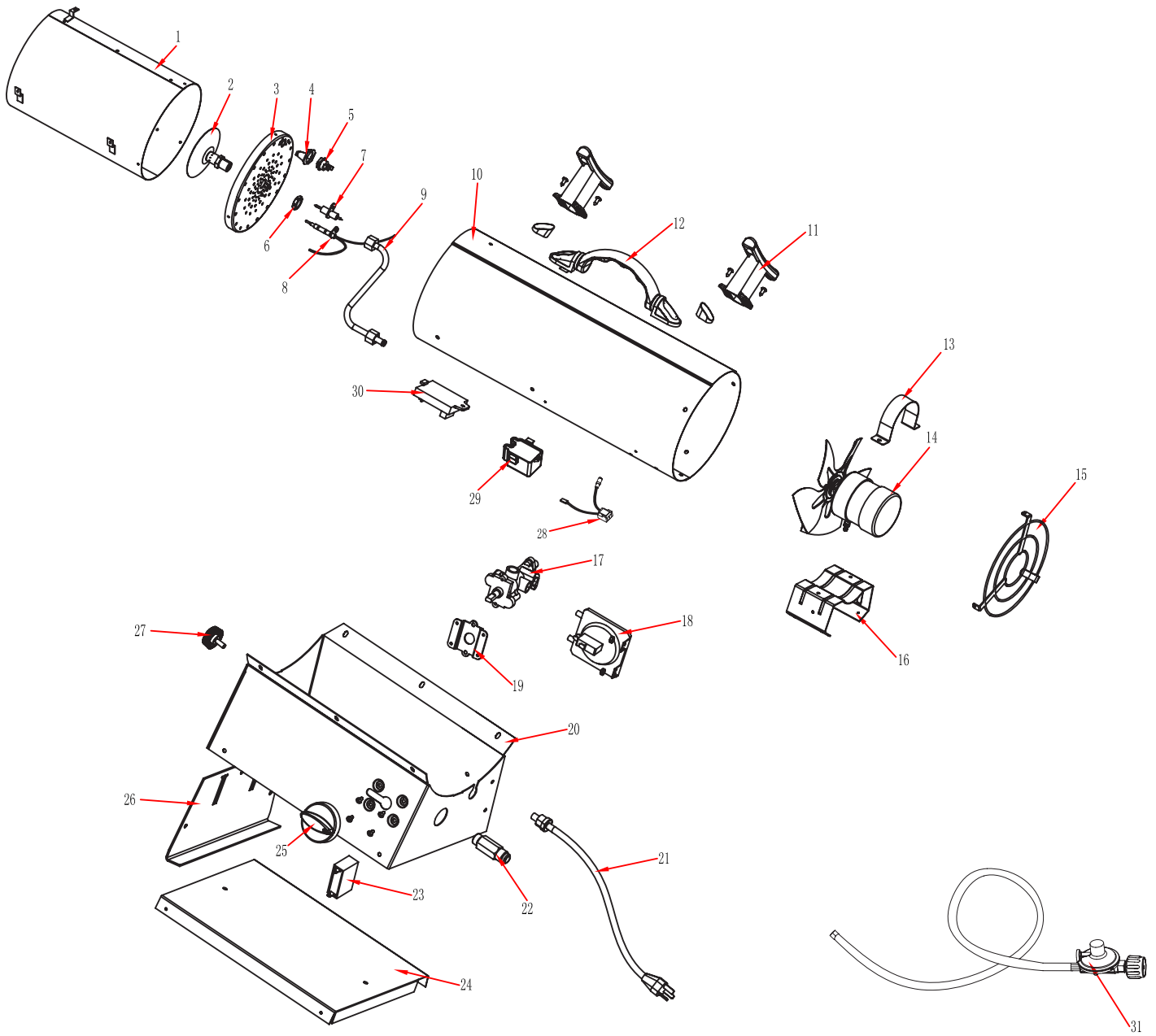
Si se proporciona cualquier cableado con el calentador se debe reemplazar, debe ser cable tipo AWG 105°C o su equivalente, excepto como se indica.

# PROPANE CONSTRUCTION HEATER



## REPLACEMENT PARTS LIST

MODELS: FA40 Series  
FA50 Series  
FA60 Series



**NEVER LEAVE THE HEATER  
UNATTENDED WHILE BURNING!**





# PROPANE CONSTRUCTION HEATER

## REPLACEMENT PARTS LIST

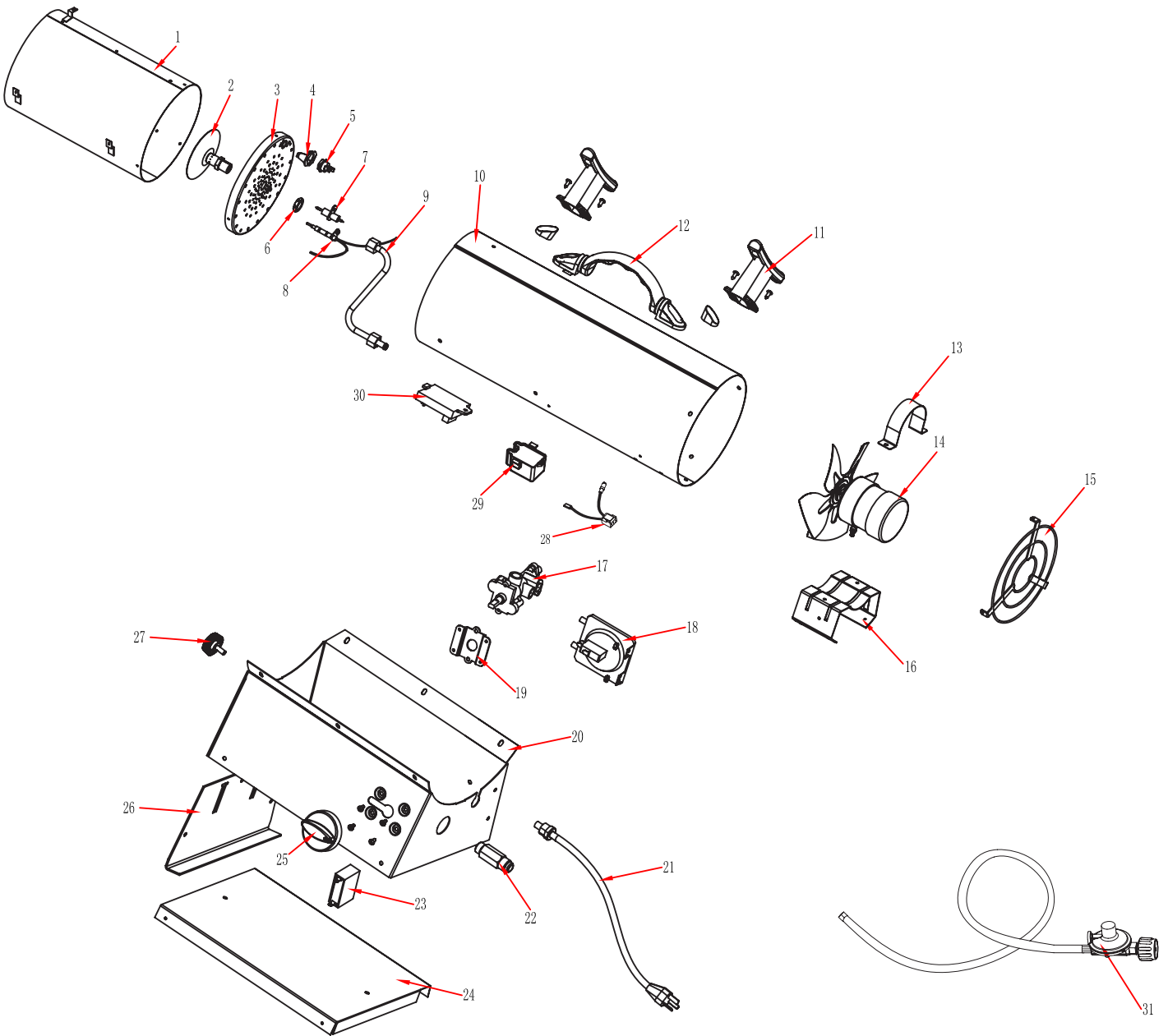
ITEM No.	DESCRIPTION	QTY	PART NUMBER		
			40 SERIES	50 SERIES	60 SERIES
1	INNER SHELL ASSEMBLY	1	2304818	2304818	2304818
2	NOZZLE	1	*2304829	*2304942	*2325121
3	FLAME CAP	1	2304819	2304819	2325120
4	THERMAL SWITCH BRACKET	1	2304826	2304826	2304826
5	THERMAL SWITCH	1	2201373	2201563	2201599
6	NOZZLE NUT	1	2304578	2304578	2304578
7	SPARK PLUG ASSEMBLY	1	2201375	2201375	2206033
8	THERMOCOUPLE ASSEMBLY (1130/1474-425L)	1	2304885	2304885	2304885
9	GAS TUBING ASSEMBLY	1	2304830	2304830	2304830
10	OUTER SHELL - ORANGE	1	2305403	2305403	2305403
	OUTER SHELL - BLACK	1	2315915	2315915	2315915
	OUTER SHELL - GRAY	1	2315956	2315956	2315956
	OUTER SHELL - BLUE	1	2315312	2315312	2315312
11	CORD WRAP (select models only)	2	N/A	N/A	N/A
12	HANDLE ASSEMBLY - BLACK	1	2101447	2101447	2101447
	HANDLE ASSEMBLY - GRAY	1	2305426	2305426	2305426
12.1	SCREW - HANDLE FRONT	1	2001355	2001355	2001355
12.2	SCREW - HANDLE FRONT	1	2001077	2001077	2001077
12.3	NUT - HANDLE REAR	1	2000384	2000384	2000384
13	MOTOR SUPPORT	1	2304823	2304823	2304823
13.1	MOTOR - MOUNTING BOLT	2	2001332	2001332	2001332
13.2	SLEEVE	1	2304949	2304949	2304949
14	MOTOR ASSEMBLY	1	2305909	2305447	2304547
14.1	MOTOR - FAN	1	2304821	2304821	2304821
	FAN GUARD - BLACK	1	2304828	2304828	2304828
15	FAN GUARD - GRAY	1	2305411	2305411	2305411
	MOTOR BRACKET	1	2304937	2304937	2304937
17	VALVE - GAS	1	GS22 (FA40)	GS22A(FA60)	GS22A(FA60)
18	PRESSURE SWITCH	1	N/A	N/A	N/A
19	VALVE BRACKET	1	2304624	2304624	2304624
20	BASE ASSEMBLY - BLACK	1	2304923	2304923	2304923
	BASE ASSEMBLY - GREY	1	2305405	2305405	2305405
21	POWER CORD ASSEMBLY	1	2201368	2101670	2101670
22	GAS CONNECTOR INLET	1	2304831	2304831	2304831
23	CAPACITOR	1	2201372	2201372	2201372
24	BASE LOWER -BLACK	1	2304925	2304925	2304925
	BASE LOWER - GREY	1	2305407	2305407	2305407
25	KNOB GAS VALVE - BLACK	1	2101451	2101451	2101451
	KNOB GAS VALVE - ORANGE	1	2305466	2305466	2305466
26	HEIGHT CONTROLLER - BLACK	1	2304927	2304927	2304927
	HEIGHT CONTROLLER - GREY	1	2305409	2305409	2305409
27	HEIGHT CONTROL SCREW - BLACK	1	2304510	2304510	2304510
	HEIGHT CONTROL SCREW - ORANGE	1	2305467	2305467	2305467
28	LEAD WIRE ASSEMBLY	1	2201371	2201371	2201371
29	SPARK MODULE	1	N/A	2201391	2201391
30	PCB ASSEMBLY	1	2201369	2201369	2201369
31	REG & HOSE ASSEMBLY - 10FT (3M)	1	KR-106-01(POL-3000)	KR-106-01(POL-3000)	KR-106-01(POL-3000)
	REG & HOSE ASSEMBLY - 10FT (3M) w/HANDWHEEL	1	KR-106-01(HW-3000)	KR-106-01(HW-3000)	KR-106-01(HW-3000)
	REG & HOSE ASSEMBLY (QCC) - 10FT (3M)	1	TYQ-9C-3000	TYQ-10C-3000	TYQ-10C-3000
	REG & HOSE ASSEMBLY -15FT (4.6M)	1	KR-106-01(POL-4600)	KR-106-01(POL-4600)	KR-106-01(POL-4600)
	REG & HOSE ASSEMBLY -15FT (4.6M) w/HAND WHEEL	1	KR-106-01(HW-4600)	KR-106-01(HW-4600)	KR-106-01(HW-4600)
	REG & HOSE ASSEMBLY (QCC) - 15FT (4.6M)	1	TYQ-9C-4572	TYQ-10C-4572	TYQ-10C-4572

# PROPANE CONSTRUCTION HEATER



## PROPANE CONSTRUCTION HEATER ILLUSTRATED / PARTS BREAKDOWN

MODELS: RMC-FA100DGD  
RMC-FA125DGD/LPFA125H  
RMC-FA150DGD



**NEVER LEAVE THE HEATER  
UNATTENDED WHILE BURNING!**



# PROPANE CONSTRUCTION HEATER

## REPLACEMENT PARTS LIST

ITEM No.	DESCRIPTION	QTY	PART NUMBER		
			100 SERIES	125 SERIES	150 SERIES
1	INNER SHELL ASSEMBLY	1	2304929	2304929	2304929
2	NOZZLE	1	*2304943	5030077	2304944
3	FLAME CAP	1	2304930	2325122	2304931
4	THERMAL SWITCH BRACKET	1	2304826	2315515	2001355
5	THERMAL SWITCH	1	2201373	2201373	2201373
6	NOZZLE NUT	1	2304578	2304945	2304945
7	SPARK PLUG ASSEMBLY	1	2201392	2206034	2201393
8	THERMOCOUPLE ASSEMBLY (1130/1474-425L)	1	2304885	2304885	2304885
9	GAS TUBING ASSEMBLY	1	2304946	2325138	2304947
10	OUTER SHELL - ORANGE	1	N/A	2305971	N/A
	OUTER SHELL - BLACK	1	N/A	N/A	N/A
	OUTER SHELL - GRAY	1	2315916	2315916	2315916
	OUTER SHELL - BLUE	1	N/A	N/A	N/A
11	CORD WRAP (select models only)	2	2101423	2101423	2101423
12	HANDLE ASSEMBLY - BLACK	1	2101447	2101447	2101447
	HANDLE ASSEMBLY - GRAY	1	2305426	2305426	2305426
12.1	SCREW - HANDLE FRONT	1	2001355	2001355	2001355
12.2	SCREW - HANDLE FRONT	1	2001077	2001077	2001077
12.3	NUT - HANDLE REAR	1	2000384	2000384	2000384
13	MOTOR SUPPORT	1	2304823	2304823	2304823
13.1	MOTOR - MOUNTING BOLT	2	2001332	2001332	2001332
13.2	SLEEVE	1	2304949	2304949	2304949
14	MOTOR ASSEMBLY	1	2304548	2304548	2304548
14.1	MOTOR - FAN	1	2304936	2304936	2304936
15	FAN GUARD - BLACK	1	2304939	2304939	2304939
	FAN GUARD - GRAY	1	2305412	2305412	2305412
16	MOTOR BRACKET	1	2304938	2304938	2304938
17	VALVE - GAS	1	GS22A(FA125)	GS22A(FA125)	GS22A(FA150)
18	PRESSURE SWITCH	1	2305976	2305976	2305976
19	VALVE BRACKET	1	2304624	2304624	2304624
20	BASE ASSEMBLY - BLACK	1	2304924	2304924	2304924
	BASE ASSEMBLY - GREY	1	N/A	2403354	N/A
21	POWER CORD ASSEMBLY	1	2101673	2101673	2101673
22	GAS CONNECTOR INLET	1	2304831	2304831	2304831
23	CAPACITOR	1	2301390	2301390	2301390
24	BASE LOWER - BLACK	1	2304926	2304926	2304926
	BASE LOWER - GREY	1	N/A	2403355	N/A
25	KNOB GAS VALVE - BLACK	1	2101451	2101451	2101451
	KNOB GAS VALVE - ORANGE	1	N/A	2305466	N/A
26	HEIGHT CONTROLLER - BLACK	1	2304928	2304928	2304928
	HEIGHT CONTROLLER - GREY	1	N/A	2403356	N/A
27	HEIGHT CONTROL SCREW - BLACK	1	2304510	2304510	2304510
	HEIGHT CONTROL SCREW - ORANGE	1	N/A	2305467	N/A
28	LEAD WIRE ASSEMBLY	1	2201371	2201371	2201371
29	SPARK MODULE	1	2201391	2201391	2201391
30	PCB ASSEMBLY	1	2201369	2201369	2201369
31	REG & HOSE ASSEMBLY - 10FT (3M)	1	GR-109(POL-3000)	GR-109(POL-3000)	GR-109(POL-3000)
	REG & HOSE ASSEMBLY - 10FT (3M) w/HANDWHEEL	1	GR-109(HW-3000)	GR-109(HW-3000)	GR-109(HW-3000)
	REG & HOSE ASSEMBLY(QCC) - 10FT (3M)	1	TYQ-6D1-3000	TYQ-6D1-3000	TYQ-6E1-3000
	REG & HOSE ASSEMBLY -15FT (4.6M)	1	GR-109(POL-4600)	GR-109(POL-4600)	GR-109(POL-4600)
	REG & HOSE ASSEMBLY -15FT (4.6M) w/HAND WHEEL	1	GR-109(HW-4600)	GR-109(HW-4600)	GR-109(HW-4600)
	REG & HOSE ASSEMBLY(QCC) -15FT (4.6M)	1	TYQ-6D1-4572	TYQ-6D1-4572	TYQ-6E1-4572

\* VERSION NOT SHOWN IN EXPLODED VIEW

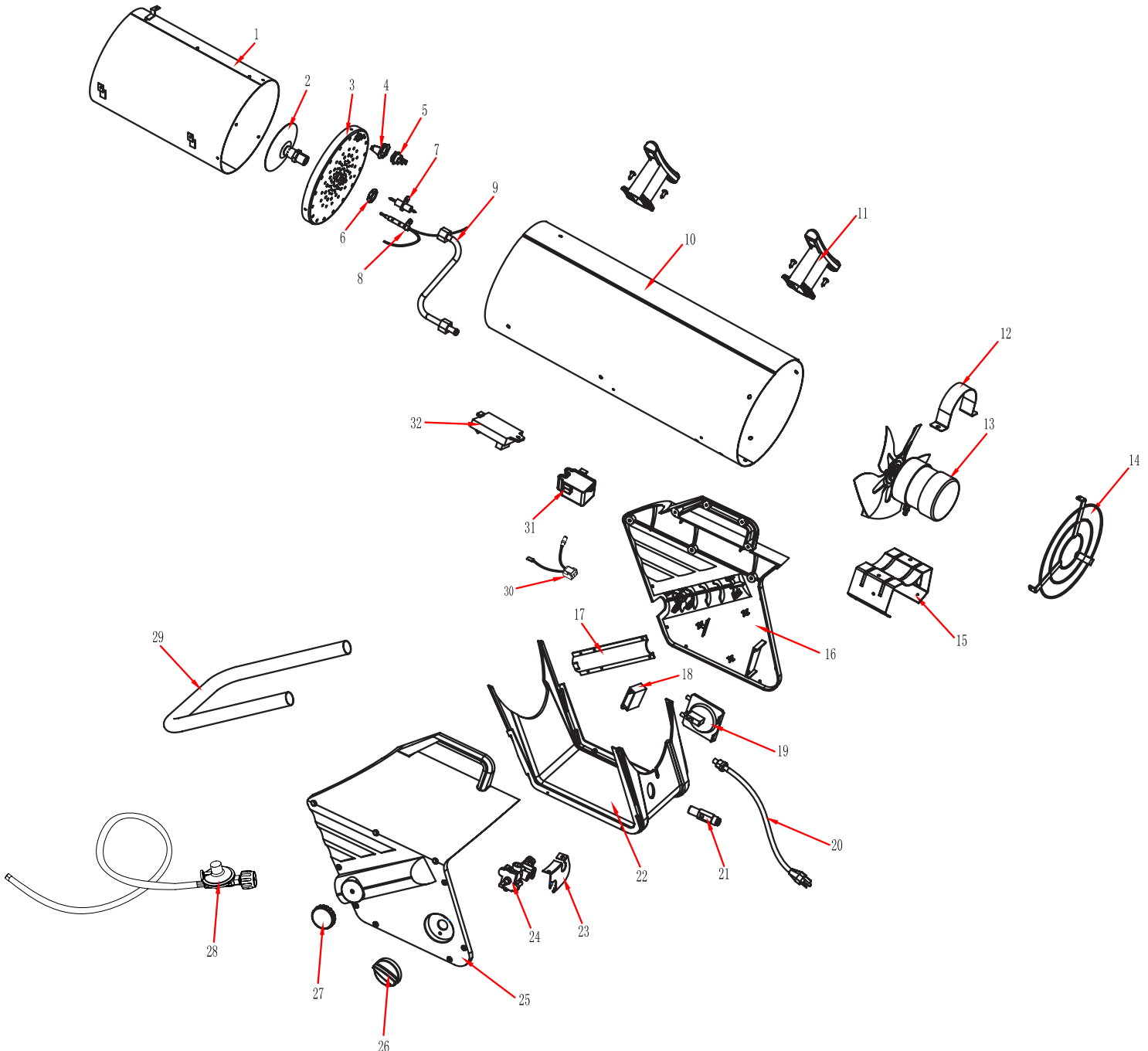
**NEVER LEAVE THE HEATER  
UNATTENDED WHILE BURNING!**

# PROPANE CONSTRUCTION HEATER



## PROPANE CONSTRUCTION HEATER ILLUSTRATED / PARTS BREAKDOWN

MODELS: RMC-FA100/DGP/DGP-01  
RMC-FA125/DGP/DGP-01  
LPFA125DGD



**NEVER LEAVE THE HEATER  
UNATTENDED WHILE BURNING!**



# PROPANE CONSTRUCTION HEATER

## REPLACEMENT PARTS LIST

ITEM No.	DESCRIPTION	QTY	PART NUMBER		
			FA100DGP	FA125DGP	LPFA125DGD
1	INNER SHELL ASSEMBLY	1	2304929	2304929	2304929
2	NOZZLE	1	*2304943	5030077	5030077
3	FLAME CAP	1	2304930	2325122	2325122
4	THERMAL SWITCH BRACKET	1	2304826	2315515	2315515
5	THERMAL SWITCH	1	2201373	2201373	2201373
6	NOZZLE NUT	1	2304578	2304945	2304945
7	SPARK PLUG ASSEMBLY	1	2201392	2206034	2206034
8	THERMOCOUPLE ASSEMBLY (1130/1474-425L)	1	2304885	2304885	2304885
9	GAS TUBING ASSEMBLY	1	2305975	2325137	2325137
10	OUTER SHELL - ORANGE	1	2305971	2305971	N/A
	OUTER SHELL - BLACK	1	N/A	N/A	2403443
11	CORD WRAP	2	2101423	2101423	2101423
12	MOTOR SUPPORT	1	2304823	2304823	2304823
12.1	MOTOR - MOUNTING BOLT	2	2001332	2001332	2001332
12.2	SLEEVE	1	2304949	2304949	2304949
13	MOTOR ASSEMBLY	1	2304548	2304548	2304548
13.1	MOTOR - FAN	1	2304936	2304936	2304936
14	FAN GUARD - GRAY	1	2305412	2305412	N/A
	FAN GUARD - BLACK	1	N/A	N/A	2304939
15	MOTOR BRACKET	1	2304938	2304938	2304938
16	BASE RIGHT SIDE	1	2306000	2306000	2306000
17	LEG HOLDER	2	2315002	2315002	2315002
18	CAPACITOR	1	2301390	2301390	2301390
19	PRESSURE SWITCH	1	2305976	2305976	2305976
20	POWER CORD ASSEMBLY	1	2101673	2101673	2101673
21	GAS CONNECTOR INLET	1	2304831	2304831	2304831
22	BASE BOTTOM	1	2315001	2315001	2315001
23	VALVE BRACKET	1	2305973	2305973	2305973
24	VALVE - GAS	1	GS22A(FA125)	GS22A(FA125)	GS22A(FA125)
25	BASE LEFT SIDE	1	2305999	2305999	2305999
26	KNOB GAS VALVE - ORANGE	1	2101588	2101588	N/A
	KNOB GAS VALVE - BLACK	1	N/A	N/A	2101451
27	HEIGHT CONTROL SCREW - ORANGE	2	2315003	2315003	N/A
	HEIGHT CONTROL SCREW - BLACK	2	NA	NA	2403444
28	REGULATOR & HOSE ASSEMBLY - 10FT (3M)	1	GR-109(POL-3000)	GR-109(POL-3000)	GR-109(POL-3000)
	REGULATOR & HOSE ASSEMBLY(QCC) - 10FT (3M)	1	N/A	N/A	TYQ-6D1-3000
	REGULATOR & HOSE ASSEMBLY -15FT (4.6M)	1	GR-109(POL-4600)	GR-109(POL-4600)	GR-109(POL-4600)
	REGULATOR & HOSE ASSEMBLY(QCC) -15FT (4.6M)	1	N/A	N/A	TYQ-6D1-4572
29	LEG	1	2305972	2305972	2305972
30	LEAD WIRE ASSEMBLY	1	2201371	2201371	2201371
31	SPARK MODULE	1	2201391	2201391	2201391
32	PCB ASSEMBLY	1	2201369	2201369	2201369

\* VERSION NOT SHOWN IN EXPLODED VIEW

**NEVER LEAVE THE HEATER UNATTENDED WHILE BURNING!**

# WARRANTY

## LIMITED WARRANTY:

This limited warranty is extended to the original retail purchaser of this Forced Air/Convection/Radiant Heater and warrants against any defect in materials and workmanship for a period of one (1) year from the date of retail sale. GHP Group, Inc., at its option, will either provide replacement parts or replace or repair the unit, when properly returned to the retailer where purchased or one of our service centers as directed by GHP Group, Inc., within one (1) year of retail purchase. (Shipping costs, labour costs, etc. are the responsibility of the purchaser.)

## DUTIES OF THE OWNER:

This heating appliance must be operated in accordance with the written instructions furnished with this heater. This warranty shall not excuse the owner from properly maintaining this heater in accordance with the written instructions furnished with this heater. A bill of sale, canceled check or payment record must be kept to verify purchase date and establish warranty period. Original carton should be kept in case of warranty return of unit.

## WHAT IS NOT COVERED:

1. Damage resulting from use of improper fuel.
2. Damage caused by misuse or use contrary to the owners manual and safety guidelines.
3. Damage caused by a lack of normal maintenance.
4. Fuses
5. Use of non-standard parts or accessories.
6. Damage caused in transit. Freight charges on warranty parts or heaters to and from the factory shall be the responsibility of the owner.

This warranty does not imply or assume any responsibility for consequential damages that may result from the use, misuse, or the lack of routine maintenance of this heating appliance. A cleaning fee and the cost of parts may be charged for appliance failures resulting from lack of maintenance. This warranty does not cover claims which do not involve defective workmanship or materials. **FAILURE TO PERFORM GENERAL MAINTENANCE (INCLUDING CLEANING) WILL VOID THIS WARRANTY.**

THIS LIMITED WARRANTY IS GIVEN TO THE PURCHASER IN LIEU OF ALL OTHER WARRANTIES, EXPRESSED OR IMPLIED, INCLUDING BUT NOT LIMITED TO THE WARRANTIES OF MERCHANTABILITY OF FITNESS FOR A PARTICULAR PURPOSE. THE REMEDY PROVIDED IN THIS WARRANTY IS EXCLUSIVE AND IS GRANTED IN LIEU OF ALL OTHER REMEDIES. IN NO EVENT WILL GHP GROUP, INC. BE LIABLE FOR INCIDENTAL OR CONSEQUENTIAL DAMAGES.

Some states do not allow limitations on how long an implied warranty lasts, so the above limitation may not apply to you. Some states do not allow the exclusion or limitation of incidental or consequential damages so the above limitation or exclusion may not apply to you.

## CLAIMS HANDLED AS FOLLOWS:

1. Contact your retailer and explain the problem.
2. If the retailer is unable to resolve the problem, contact our Customer Service Dept. detailing the heater model, the problem, and proof of date of purchase.
3. A representative will contact you. DO NOT RETURN THE HEATER TO GHP GROUP, INC. unless instructed by our Representative. This warranty gives you specific legal rights and you may also have other rights which vary from state to state.

TO REGISTER THE WARRANTY ON YOUR HEATER, PLEASE FILL OUT THIS CARD COMPLETELY  
AND MAIL WITHIN 14 DAYS FROM DATE OF PURCHASE OR REGISTER ON-LINE AT [www.ghpgroupinc.com](http://www.ghpgroupinc.com)

NAME: \_\_\_\_\_ PHONE: (     ) \_\_\_\_\_ EMAIL: \_\_\_\_\_  
ADDRESS: \_\_\_\_\_ CITY: \_\_\_\_\_ STATE: \_\_\_\_\_ ZIP: \_\_\_\_\_  
MODEL: \_\_\_\_\_ SERIAL #: \_\_\_\_\_ DATE PURCHASED: \_\_\_\_\_  
DEALER PURCHASED FROM: \_\_\_\_\_ TYPE OF STORE: \_\_\_\_\_  
CITY & STATE WHERE PURCHASED: \_\_\_\_\_ PRICE PAID: \_\_\_\_\_

Please Take a Minute To Give Us Your Answers To The Following Questions.

All Responses Are Used Solely For Market Research And Are Held In Strict Confidence.

Who primarily decided this purchase?  Male  Female     18-24  25-39  40-59  60 and over  
Purpose of Purchase? \_\_\_\_\_  
Do you own any other portable heaters?  Yes  No If yes, type \_\_\_\_\_ brand \_\_\_\_\_  
How do you intend to use your new heater?  Construction Site  Farm  Warehouse/Commercial  Garage/Outbuilding  Other  
How did you become aware of this heater?  In-Store Display  Newspaper Ad  Magazine Ad  Friend/Relative  
 TV Commercial  Store Salesperson  Other \_\_\_\_\_  
What made you select this heater?  Style  Size/Portability  Price  Package  Brand  Other \_\_\_\_\_  
Do you:  own  rent Would you recommend this heater to a friend?  Yes  No  
Please give us your comments: \_\_\_\_\_

THANK YOU FOR COMPLETING THIS FORM!  
Information will be held confidential.

## WARRANTY REGISTRATION

IMPORTANT: We urge you to fill out your warranty registration card within fourteen (14) days of date of purchase. You can also register your warranty on the internet at [www.ghpgroupinc.com](http://www.ghpgroupinc.com). Complete the entire serial number. Retain this portion of the card for your records.



**GHP Group, Inc.**  
6440 W Howard St  
Niles, IL 60714-3302  
  
Tel: (877) 447-4768  
[www.ghpgroupinc.com](http://www.ghpgroupinc.com)

SAVE THIS CARD!

Place  
Postage  
Stamp  
Here

**GHP Group, Inc.**  
**6440 W Howard St**  
**Niles, IL 60714-3302**



# RADIATEUR DE CONSTRUCTION AU GAZ PROPANE

## MANUEL DE L'USAGER ET INSTRUCTIONS D'OPÉRATION

<b>Dyna-Glo™DELUX</b> MODÈLE:	RMC-FA40DGD	(40,000 BTU/HR,	FORCED - AIR)
	RMC-FA50DGD	(30,000/50,000 BTU/HR,	FORCED - AIR)
	RMC-FA60DGD	(30,000/60,000 BTU/HR,	FORCED - AIR)
	RMC-FA100DGD	(70,000/100,000 BTU/HR,	FORCED - AIR)
	RMC-FA125DGD/LPFA125DGD	(70,000/125,000 BTU/HR,	FORCED - AIR)
	RMC-FA150DGD	(120,000/150,000 BTU/HR,	FORCED - AIR)
<b>Dyna-Glo™Pro</b> MODÈLE:	RMC-FA40/DGP/DGP-01	(40,000 BTU/HR,	FORCED - AIR)
	RMC-FA50/DGP/DGP-01	(30,000/50,000 BTU/HR,	FORCED - AIR)
	RMC-FA60/DGP/DGP-01	(30,000/60,000 BTU/HR,	FORCED - AIR)
	RMC-FA100/DGP/DGP-01	(70,000/100,000 BTU/HR,	FORCED - AIR)
	RMC-FA125/DGP/DGP-01	(70,000/125,000 BTU/HR,	FORCED - AIR)
	LPFA125H/LPFA125H-01		
	RMC-FA150/DGP/DGP-01	(120,000/150,000 BTU/HR,	FORCED - AIR)



C US

ANS Z83.7-2011 CSA 2.14-2011



Une ventilation adéquate est nécessaire.



**GHP Group, Inc.**  
6440 W Howard St  
Niles, IL 60714-3302



FA40DGP-01



FA60DGP/DGP-01



LPFA125H/H-01



### MISES EN GARDE GÉNÉRALES

FLE NON-RESPECT DES MISES EN GARDE ET DES INSTRUCTIONS FOURNIES AVEC CE RADIATEUR PEUT ENTRAÎNER LA MORT, DE GRAVES BLESSURES ET DES PERTES MATÉRIELLES OU DES DOMMAGES À LA PROPRIÉTÉ RÉSULTANT D'UN INCENDIE, D'UNE EXPLOSION, DE BRÛLURES, D'ASPHYXIE, D'EMPOISONNEMENT AU MONOXYDE DE CARBONE ET/OU D'UN CHOC ÉLECTRIQUE.

SEULES LES PERSONNES APTES À COMPRENDRE ET À SUIVRE LES INSTRUCTIONS DEVRAIENT SE SERVIR DE CE RADIATEUR OU LE RÉPARER.

SI VOUS AVEZ BESOIN D'AIDE OU D'INFORMATIONS CONCERNANT CE RADIATEUR, SOIT UNE NOTICE D'INSTRUCTIONS, UNE ÉTIQUETTE, ETC., PRIÈRE DE COMMUNIQUER AVEC LE FABRICANT.

### REMARQUE À L'INTENTION DU CLIENT :

**Veillez conserver ce manuel pour vous y référer ultérieurement.**

Des questions, des problèmes, des pièces manquantes? Avant de retourner l'article au détaillant, appelez notre service à la clientèle au 1 877 447 4768, entre 8 h 30 et 16 h 30 (HNC), du lundi au vendredi, ou écrivez-nous à [customerservice@ghpgroupinc.com](mailto:customerservice@ghpgroupinc.com)

[www.ghpgroupinc.com](http://www.ghpgroupinc.com)

Imprimé en Chine

IMLPFDG - GDK





# RADIATEUR DE CONSTRUCTION AU GAZ PROPANE




## TABLE DES MATIÈRES

Introduction et caractéristiques	3
• Instructions de sûreté générales	4
• Caractéristiques du produit	4
• Déballage du radiateur	5 - 6
• Format et capacité des bouteilles de gaz propane	7
• Installation à la bouteille de gaz propane	8
• Remplissage de la bouteille de gaz propane	8
• Vérification de fuites et emplacement du radiateur	9
• Instructions d'allumage et d'arrêt	9 - 10
• Vérification de l'allumage du radiateur et rangement	10
• Dépannage	11
• Diagrammes des câbles	12 - 13
• Liste des pièces de rechange	15, 17, 19
DÉTAIL ILLUSTRÉ DES PIÈCES D'UN APPAREIL DE CHAUFFAGE À GAZ PROPANE POUR LA CONSTRUCTION RMC-FA40, 50 & 60 SÉRIE	14
RMC-FA100DGD, RMC-FA125DGD, LPFA125H & RMC-FA150DGD	16
RMC-FA100DGP/DGP-01, RMC-FA125DGP/DGP-01 & LPFA125DGD	18
• Garantie	20

 **AVERTISSEMENT:** RISQUE D'INCENDIE, DE BRÛLURES, D'INHALATION ET D'EXPLOSION. GARDER LES COMBUSTIBLES SOLIDES, TELS LES MATÉRIAUX DE CONSTRUCTION, LE PAPIER ET LE CARTON, À BONNE DISTANCE DE CE RADIATEUR, COMME IL EST RECOMMANDÉ DANS LES INSTRUCTIONS.

NE JAMAIS UTILISER CET APPAREIL DANS DES ENDROITS QUI CONTIENNENT OU POURRAIENT CONTENIR DES COMBUSTIBLES VOLATILES OU EN SUSPENSION DANS L'AIR TELS L'ESSENCE, LES SOLVANTS, LES DILUANTS POUR PEINTURE, LES PARTICULES DE POUSSIÈRES OU DES PRODUITS CHIMIQUES INCONNUS.

**PROPOSITION 65 DE LA CALIFORNIE:** Les combustibles utilisés par les appareils au gaz ou au combustible liquide et les produits de combustion qui se dégagent de ces combustibles contiennent des produits chimiques considérés par L'état de Californie comme pouvant causer le cancer, des déficiences congénitales ou autres effets nuisibles sur la fécondité. Ce produit contient des produits chimiques, y compris du plomb et des composés de plomb, considérés dans L'état de Californie comme pouvant entraîner le cancer, des déficiences congénitales ou autres effets nuisibles sur la fécondité. **Se laver les mains après toute manipulation.**

 **AVERTISSEMENT:** Si ce radiateur est utilisé dans un garage résidentiel, il doit être placé de façon à être protégé contre les dommages pouvant être causés par un véhicule en mouvement, etc. La base du radiateur doit être située à au moins 45,72 cm (18 po) du plancher du garage (ou à 2,44 m [8 pi] dans le cas d'un garage de réparation). Le radiateur doit être placé sur une surface stable. Ne le placez pas sur une chaise, une échelle, etc. En soulevant le radiateur, vous réduirez (mais vous n'éliminerez PAS) les risques d'inflammation des vapeurs de tout liquide inflammable pouvant être rangé de façon inadéquate ou accidentellement déversé. Si vous détectez une odeur de gazoline, n'utilisez PAS ce radiateur tant que la zone n'a pas été ventilée adéquatement.

 **AVERTISSEMENT!: CHAUFFE-CONSTRUCTION NE SONT PAS UTILISÉS DANS LES GARAGES AU CANADA.**

 **AVERTISSEMENT!: NE PAS UTILISER DANS UNE MAISON OU UN VÉHICULE DE CAMPING.**

NE LAISSEZ JAMAIS L'APPAREIL DE CHAUFFAGE ALLUMÉ SANS SURVEILLANCE!



# RADIATEUR DE CONSTRUCTION AU GAZ PROPANE

## RADIATEUR DE CONSTRUCTION AU GAZ PROPANE À AIR FORCÉ DYNA-GLO

L'appareil de chauffage est conçu et approuvé pour être utilisé comme radiateur de construction en vertu de la norme ANS Z83.7 CSA 2.14.

Il est difficile de prévoir toutes les utilisations qui peuvent être faites de ce radiateur. **VEUILLEZ CONSULTER LES AUTORITÉS LOCALES EN MATIÈRE DE SÉCURITÉ INCENDIE SI VOUS AVEZ DES QUESTIONS AU SUJET DES APPLICATIONS POSSIBLES.**

D'autres normes régissent l'utilisation de gaz de combustion et de produits de chauffage utilisés pour des applications particulières. Veuillez consulter les autorités locales à ce sujet.

**IMPORTANT: VEUILLEZ LIRE ATTENTIVEMENT ET ENTIÈREMENT CE MANUEL DE L'UTILISATEUR AVANT DE VOUS SERVIR DU RADIATEUR OU DE LE FAIRE FONCTIONNER. UN USAGE ABUSIF DE CE RADIATEUR PEUT CAUSER UN INCENDIE, UNE EXPLOSION OU UN EMPOISONNEMENT AU MONOXYDE DE CARBONE POUVANT ENTRAÎNER DES BLESSURES GRAVES OU LA MORT.**

Cet appareil est un radiateur de construction à air forcé par action directe du feu pour utilisation à l'intérieur ou à l'extérieur. Il est conçu principalement pour le chauffage temporaire de bâtiments en construction ou en réparation. Tous les produits de combustion générés par le radiateur pénètrent dans l'appareil de chauffage et sont relâchés dans la zone chauffée. Bien que cet appareil de chauffage fonctionne avec une efficacité de combustion minimale d'environ 98 %, il produit quand même une petite quantité de monoxyde de carbone. Les humains peuvent tolérer de petites quantités de monoxyde de carbone pendant de courtes périodes. Le monoxyde de carbone peut s'accumuler dans un espace chauffé et une ventilation inadéquate peut entraîner un empoisonnement ou la mort.

**AVERTISSEMENT: Ne pas utiliser avec un réseau de gaines.**

### CARACTÉRISTIQUES

N° de modèle	RMC-FA40DGP/ DGP-01	FA50 Séries	FA60 Séries	RMC-FA100DGD/ DGP/DGP-01	LPFA125DGD/ RMC-FA125DGP/ DGP-01	LPFA125H/H-01/ RMC-FA125DGD	RMC-FA150DGD
Débit calorifique	40,000 BTU/hr	30,000 BTU/hr 50,000 BTU/hr	30,000 BTU/hr 60,000 BTU/hr	70,000 BTU/hr 100,000 BTU/hr	70,000 BTU/hr 125,000 BTU/hr	70,000 BTU/hr 125,000 BTU/hr	120,000 BTU/hr 150,000 BTU/hr
Type de gaz	Propane	Propane	Propane	Propane	Propane	Propane	Propane
Pression d'alimentation en gaz au régulateur maximum	Pression de cylindre	Pression de cylindre	Pression de cylindre	Pression de cylindre	Pression de cylindre	Cylinder Pressure	Pression de cylindre
Minimum (dans le but d'ajuster l'entrée)	5psig	5psig	5psig	5psig	5psig	5psig	5psig
Pression d'admission	11 po W.C	11 po W.C	11 po W.C	11 po W.C	11 po W.C	11" W.C	11 po W.C
Consommation de gaz	0,86 kg/hr 1,9lbs/hr	0,63 kg/hr 1,4lbs/hr 1,04 kg/hr 2,3lbs/hr	0,63 kg/hr 1,4lbs/hr 1,27 kg/hr 2,8lbs/hr	1,5 kg/hr 3,3lbs/hr 2,09 kg/hr 4,6lbs/hr	1,5 kg/hr 3,3lbs/hr 2,63 kg/hr 5,8lbs/hr	1,5 kg/hr 3,3lbs/hr 2,63 kg/hr 5,8lbs/hr	2,54 kg/hr 5,6lbs/hr 3,18 kg/hr 7,0lbs/hr
Puissance absorbée	120V, 60Hz, 1Ø	120V, 60Hz, 1Ø	120V, 60Hz, 1Ø	120V, 60Hz, 1Ø	120V, 60Hz, 1Ø	120V, 60Hz, 1Ø	120V, 60Hz, 1Ø
Ampérage	Charge	0,68amps	0,65amps	0,65amps	0,7amps	0,7amps	0,7amps
Ventilateur	Décharge Charge	3550rpm 3000rpm	3570rpm 3300rpm	3570rpm 3300rpm	3580rpm 3300rpm	3580rpm 3300rpm	3580rpm 3300rpm
Allumage	Étincelle Piézoélectrique/ manuelle	Étincelle Continue	Étincelle Continue	Étincelle Continue	Étincelle Continue	Continuous Spark	Étincelle Continue
Éclateur	0,16 po (4mm)	0,16 po (4mm)	0,16 po (4mm)	0,16 po (4mm)	0,16 po (4mm)	0,16 po (4mm)	0,11 po (2.8 mm)
Dimension (longueur x largeur x hauteur)	19,3po x 8,3po x 15,2po (49,0x21,1x38,6)cm	19,3po x 8,3po x 15,2po (49,0x21,1x38,6)cm	19,3po x 8,3po x 15,2po (49,0x21,1x38,6)cm	25,6po x 12,0po x 15,6po (65,0x32,3x39,6)cm 25,6po x 11,8po x 16,1po (65,0x30,0x40,9)cm	26,6po x 13,0po x 17,3po (67,6x33,0x43,9)cm 25,6po x 11,8po x 16,1po (65,0x30,0x40,9)cm	26,2po x 11,8po x 17,2po (66,6x30,0x43,6)cm 25,6po x 11,8po x 16,1po (65,0x30,0x41,0)cm	25,6po x 11,8po x 16,1po (65,0x30,0x40,9)cm

**NE LAISSEZ JAMAIS L'APPAREIL DE CHAUFFAGE ALLUMÉ SANS SURVEILLANCE!**

# RADIATEUR DE CONSTRUCTION AU GAZ PROPANE



## CONSIGNES DE SÉCURITÉ GÉNÉRALES

Les accidents sont toujours tragiques, surtout parce que bon nombre d'entre eux pourraient être évités avec un peu d'attention et de jugement. Il existe quelques bonnes pratiques de base que vous devez suivre pour une utilisation sécuritaire de votre radiateur.

## CONSIGNES DE SÉCURITÉ IMPORTANTES

- Surveillez attentivement les enfants lorsqu'ils se trouvent dans la zone chauffée.
- Maintenez toujours un dégagement adéquat entre l'appareil de chauffage et des matériaux combustibles. Distance minimale des sources de combustible : côté – 61 cm (24 po); haut – 92 cm (36 po); devant – 183 cm (72 po). Ne doit pas être installé sur un plancher inflammable.
- Le radiateur doit être placé sur une surface stable et de niveau.
- Ne placez jamais quoi que ce soit, y compris des vêtements ou d'autres objets inflammables, sur l'appareil de chauffage.
- Assurez-vous que l'espace autour de l'appareil est propre et ne contient pas de matériaux combustibles, d'essence, de diluant à peinture et d'autres vapeurs ou liquides inflammables.
- Ne modifiez pas le radiateur et ne faites pas fonctionner un radiateur qui a été modifié.
- Lorsque l'appareil fonctionne, maintenez en tout temps un dégagement suffisant pour permettre l'accès à l'appareil et l'alimentation en air pour la combustion et la ventilation.
- L'entretien et les réparations doivent être effectués par une personne qualifiée. Le radiateur devrait être inspecté avant chaque utilisation et au moins une fois par année par une personne qualifiée. Un nettoyage plus fréquent peut être nécessaire. Ne réparez pas le radiateur pendant qu'il est chaud ou en marche.
- Ne branchez jamais un radiateur à une source d'alimentation en gaz non réglementée.
- Le radiateur est expédié de l'usine pour une utilisation au gaz de pétrole liquéfié (propane). Ce radiateur ne doit être utilisé qu'avec du gaz propane; ne pas convertir le radiateur à tout autre gaz. L'installation doit être conforme aux codes locaux. En l'absence de codes locaux, elle doit être conforme à la Norme pour l'entreposage et la manipulation des gaz de pétrole liquéfié ANSI/NFPA 58 et au Code d'installation du gaz naturel CSA B149.1.
- La pression minimale et la pression maximale d'admission vers le régulateur depuis le réservoir de gaz équivalent respectivement à 5 lb/po<sup>2</sup> et à la pression du réservoir. Utilisez uniquement l'ensemble régulateur et tuyau fourni avec le radiateur. Inspectez l'ensemble régulateur et tuyau fourni avant chaque utilisation du radiateur. En cas d'usure ou d'abrasion excessive, ou si le tuyau est coupé, remplacez l'ensemble régulateur et tuyau par un ensemble figurant sur la liste des pièces avant d'utiliser ce radiateur.
- Les connexions d'alimentation en gaz doivent être vérifiées à l'aide d'une solution 50/50 de détergent à vaisselle liquide; n'utilisez jamais une flamme pour vérifier les fuites de gaz.
- La connexion électrique et la mise à la terre doivent être conformes au Code national de l'électricité, à la norme ANSI/NFPA 70 ou, au Canada, à la norme CSA C22.1 du Code canadien de l'électricité, partie 1. Utilisez uniquement une prise à trois (3) broches convenablement mise à la terre.
- Ne restreignez pas l'entrée ou la sortie d'air par quelque moyen que ce soit. Le flux d'air de combustion et de ventilation ne doit pas être entravé.
- Cet appareil ne doit pas être dirigé vers un récipient de propane-gaz à distance de 20 pieds (6m.). Le chauffe-eau doit être situé au moins à 6 pi (1,83 m) aux États-Unis, ou (ii) 10 pi (3 m) au Canada, à partir d'un réservoir de gaz propane.
- Le système d'alimentation de la bouteille de propane doit être organisé pour permettre un retrait de vapeur de la bouteille en fonctionnement.
- Cet appareil de chauffage ne doit pas être utilisé avec les thermostats, minuteries externes ou d'autres dispositifs de commande qui peuvent modifier l'alimentation électrique du chauffe-eau.

**⚠ AVERTISSEMENT :** Le moteur et le ventilateur doivent être en marche avant l'allumage, pendant le fonctionnement de l'appareil et à l'arrêt, afin de prévenir une extinction accidentelle qui pourrait causer des blessures ou entraîner des dommages matériels.

## PRODUCT FEATURES

- Portable, stable et entièrement assemblé
- Résistant au vent et protégé contre la pluie
- L'allumage par étincelle continu ou l'allumage par étincelle piézoélectrique
- Système d'arrêt de sécurité sûr à 100 %
- Débit calorifique continu réglable (Sauf FA40)

**NE LAISSEZ JAMAIS L'APPAREIL DE  
CHAUFFAGE ALLUMÉ SANS SURVEILLANCE!**



# RADIATEUR DE CONSTRUCTION AU GAZ PROPANE

## DÉBALLAGE

1. Retirez l'appareil de chauffage de la boîte.
2. Retirez tout emballage de protection appliqué au radiateur pour l'expédition.
3. Conservez les cartons et matériaux d'emballage jusqu'à ce que l'appareil soit mis en marche et que son bon état de fonctionnement soit constaté.
4. Vérifiez que le radiateur n'a pas été endommagé durant le transport. Si le radiateur présente des dommages externes ou internes, informez-en immédiatement le détaillant ou le distributeur où vous l'avez acheté.

### Composants d'assemblage et des instructions pour les unités d'acier selon:

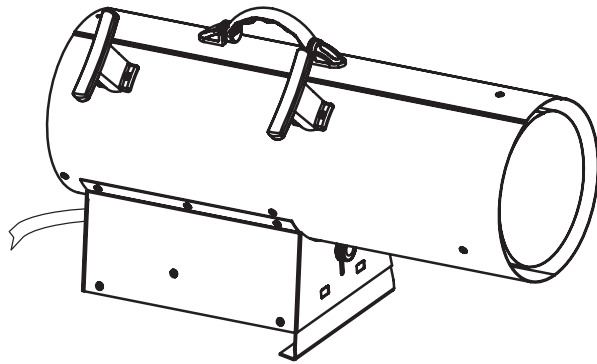
<b>Outils nécessaires Pour L'assemblée:</b>	<b>Contenu:</b>	<b>Temps d'assemblage :</b>
<b>Tous les Modèles:</b> Clé à Molette	<b>Tous les Modèles:</b> Unité, Manuel, Ensemble	5 Minutes
<b>FA100 - FA150 Series:</b> Tournevis Cruciforme	Régulateur et Tuyau	
	<b>FA100 - FA150 Series Comprennent:</b>	
	2 Rembobineurs de Cordon, 4 Vis (ST3,5x10)	

#### 1. Assemblage de la Rembobineurs de Cordon: (FA100 - FA150 Series)

##### Pièces Obligatoires:

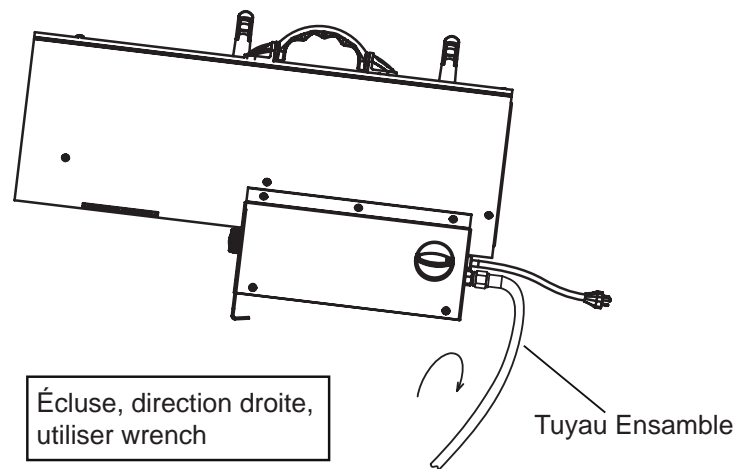
4 Vis (ST3,5x10),  
et 2 Rembobineurs de Cordon

Placez le cordon d'alimentation comme le montre l'attachement de synthèse ci-dessous, puis l'utilisation de tournevis Phillips pour resserrer les vis et fixer le cordon envelopper les pièces jointes.



#### 2. Réglementation et de Tuyaux de Raccordement: (Tous les Modèles)

Voir la figure ci-dessous. Connecter le tuyau solidement à l'appareil de chauffage utilisant une clé à molette. S'il vous plaît se référer également à la page 5 dans le manuel.



**NE LAISSEZ JAMAIS L'APPAREIL DE  
CHAUFFAGE ALLUMÉ SANS SURVEILLANCE!**

# RADIATEUR DE CONSTRUCTION AU GAZ PROPANE



**Composants d'assemblage et des instructions pour les unités de base en plastique:**

**Outils nécessaires Pour L'assemblée:**

**Tous les Modèles:** Clé à Molette

**FA125 Series:** Tournevis Cruciforme

**Contenu:**

**Tous les Modèles:** Unité, Manuel, Ensemble Régulateur et Tuyau, Pied Réglable, 2 Hauteur Contrôle Vis

**FA125 Series Comprennent:**

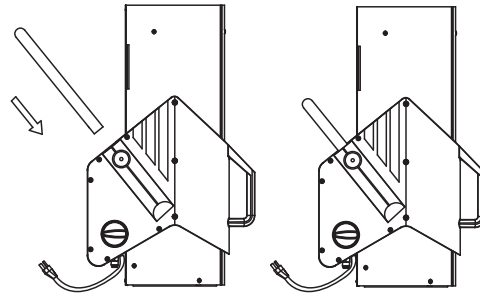
2 Rembobineurs de Cordon, 4 Vis (ST3,5x10),

**Temps d'assemblage :**  
5 Minutes

## 1. Assemblez la jambe :

**Pièces Obligatoires:** Pied Réglable

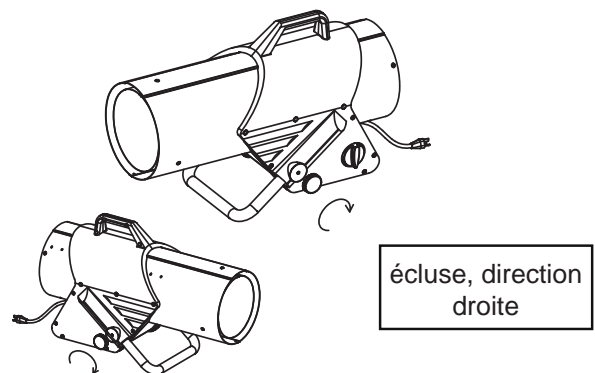
Placez l'appareil de chauffage comme le montre, insérez la jambe dans les trous de la base, puis à ajuster les taille.



## 2. Assemblez le Hauteur contrôle de vis :

**Pièces Obligatoires:** 2 Hauteur Contrôle Vis

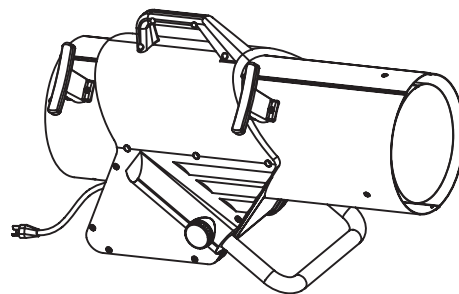
Tournez la vis de contrôle Hauteur direction des aiguilles d'une montre pour le verrouiller. Tourner la vis de contrôle de la hauteur dans le sens antihoraire pour le déverrouiller.



## 3. Assemblage de la Rembobineurs de Cordon:

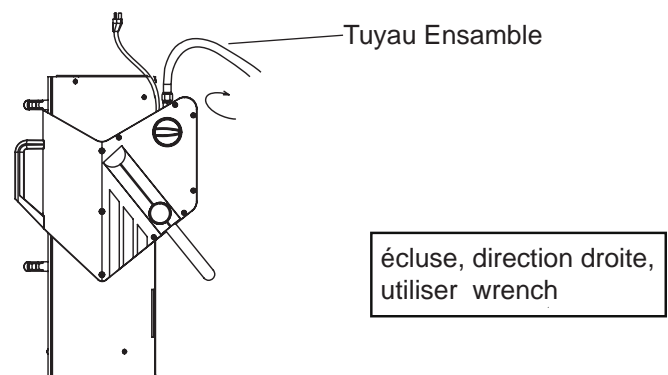
**Pièces Obligatoires:** 4 Vis (ST3,5x10),  
et 2 Rembobineurs de Cordon

Placez le cordon de fixation, comme indiqué, puis utiliser tournevis Phillips pour serrer les vis et fixer le cordon de fixation.



## 4. Réglementer et de Tuyaux Raccordement:

Voir la figure sur la droite. Connecter le tuyau solidement à l'appareil de chauffage utilisant une clé à molette. S'il vous plaît se référer également à la page 8 dans le manuel.



**NE LAISSEZ JAMAIS L'APPAREIL DE CHAUFFAGE ALLUMÉ SANS SURVEILLANCE!**



# RADIATEUR DE CONSTRUCTION AU GAZ PROPANE

## INFORMATION SUR LA TAILLE \* CAPACITÉ DES BONBONNES DE GAZ PROPANE

Le tableau ci-dessous indique le nombre et le format des bouteilles de gaz propane nécessaires pour faire fonctionner ce radiateur. \*À des températures inférieures, une quantité moindre de gaz est dégagée. Par temps froid, vous pourriez avoir besoin de deux bouteilles (ou plus) de 45 kilos (100 livres) ou d'une plus grosse bouteille. (Voir la liste des pièces de votre modèle de radiateur pour obtenir l'ensemble régulateur spécifié.)

Température (°C – °F) de la bouteille.	Nombre de bouteilles		
	40,000-60,000 BTU/h	100,000 - 125,000 BTU/h	150,000 BTU/h
Par-dessus 0 °C (32 °F)	1 - 9 kg (20 lb)	2 - 45 kg (100lb)	2 - 45 kg (100 lb)
0 °C (32 °F)	1 - 9 kg (20 lb)	2 - 45 kg (100lb)	2 - 45 kg (100 lb)
-7 °C (20 °F)	1 - 9 kg (20 lb)	3 - 45 kg (100lb)	3 - 45 kg (100lb)
-12 °C (10 °F)	1 - 9 kg (20 lb)	3 - 45 kg (100lb)	3 - 45 kg (100lb)
-23 °C (-10 °F)	2 - 9 kg (20 lb)	Utilisez un réservoir plus grand	Utilisez un réservoir plus grand
-29 °C (-20 °F)	1 - 45 kg (100 lb)	Utilisez un réservoir plus grand	Utilisez un réservoir plus grand

### **La bouteille de gaz propane (pétrole liquéfié) doit également être dotée de l'équipement suivant**

- Un collier pour protéger la valve de gaz propane.
- Une soupape d'arrêt à l'extrémité de la sortie de la valve de gaz propane, tel que spécifié par l'American National Standards for Compressed Gas Cylinder Valve Inlet and Inlet Connections.
- Une soupape de sécurité ayant des communications directes avec l'espace de vapeur de la bouteille.
- Un dispositif de retrait de vapeur.

### **Le régulateur de pression du gaz propane (pétrole liquéfié) et l'ensemble tuyau fournis avec ce radiateur doivent être utilisés sans modification.**

L'ensemble tuyau doit être inspecté visuellement avant chaque utilisation du radiateur. Si vous constatez de l'usure ou de l'abrasion excessive, ou si le tuyau est coupé, vous devez remplacer l'ensemble tuyau avant d'utiliser le radiateur. L'ensemble tuyau de remplacement doit être celui qui est spécifié par le fabricant.

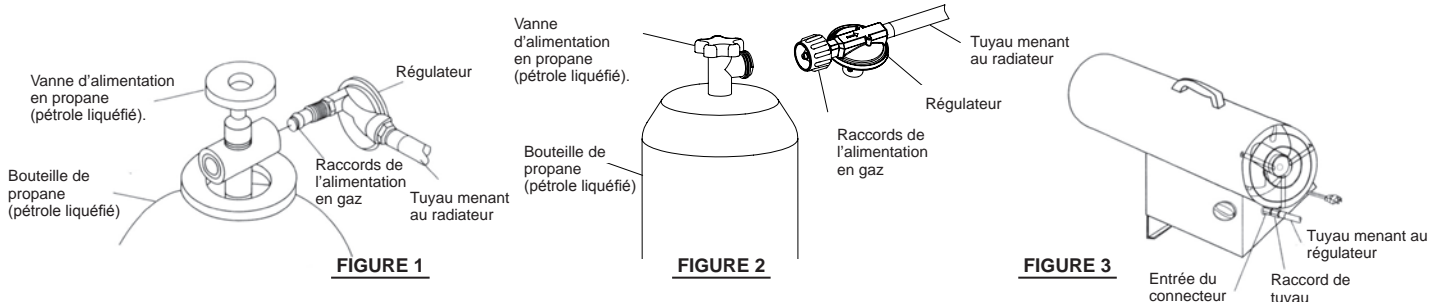
**NE LAISSEZ JAMAIS L'APPAREIL DE  
CHAUFFAGE ALLUMÉ SANS SURVEILLANCE!**

# RADIATEUR DE CONSTRUCTION AU GAZ PROPANE



## INSTALLATION À LA BOUTEILLE DE GAZ PROPANE

**IMPORTANT:** Vous devez utiliser une bouteille de gaz propane (pétrole liquéfié) qui est compatible avec le dispositif de raccord fourni avec le tuyau et le régulateur..



1. Munissez-vous du système d'alimentation de gaz propane. Assurez-vous que la soupape de la bouteille est entièrement fermée en tournant complètement le bouton dans le sens des aiguilles d'une montre (↻). Assurez-vous que la bouteille est en position verticale afin de permettre l'élimination des vapeurs (pétrole liquéfié) – (voir page 7).
2. Raccorder le tuyau à l'entrée de chauffage. Serrez fermement à l'aide d'une clef. Vous devez utiliser le régulateur fourni avec l'appareil.
3. Connectez le raccord de l'alimentation en gaz de l'ensemble régulateur et tuyau à la bouteille de propane (pétrole liquéfié).
  - 3a. Pour les unités munies d'un raccord POL (voir Figure 1) vissez les raccords dans le sens antihoraire en suivant le filetage sur la bouteille. Serrez fermement à l'aide d'une clef. Quelques modèles est doté d'un volant de manoeuvre qui peut être utilisé pour serrer le raccord. Ce volant de manoeuvre peut être glissé hors de l'écrou de manière à permettre également l'utilisation d'une clef pour resserrer le raccord.  
**IMPORTANT:** Placez le régulateur de manière à ce que le tuyau qui part du régulateur soit en position horizontale.
  - 3b. Pour les unités munies d'un raccord QCC (voir Figure 2) vissez les QCC raccords dans le sens horaire en suivant le filetage sur la bouteille. Serrez fermement avec votre main (NE PAS UTILISER UNE CLEF).  
**IMPORTANT:** Placez le régulateur de façon à ce que son évent soit orienté en direction du plancher et que sa flèche soit visible.
4. Ouvrez lentement la vanne d'alimentation de propane (pétrole liquéfié) de la bouteille. **REMARQUE :** Si la vanne n'est pas ouverte lentement, le dispositif d'excès de débit dans le régulateur peut interrompre l'alimentation en gaz. Si cela se produit, fermez la vanne d'alimentation de propane (pétrole liquéfié), attendez une minute (ou jusqu'à ce qu'un déclic se fasse entendre) et ouvrez-la à nouveau lentement.
5. Vérifiez toutes les connexions pour vous assurer qu'il n'y a pas de fuite. Appliquez un mélange 50/50 de détergent à vaisselle liquide et d'eau sur les connexions. Si des bulles se forment, cela signifie qu'il y a une fuite que vous devez réparer.
6. Fermez la vanne d'alimentation de propane (pétrole liquéfié) avant de tenter de réparer la connexion.

**AVERTISSEMENT:** Le nettoyage et le remplissage des bouteilles de gaz de propane (pétrole liquéfié) doivent être effectués par des personnes ayant reçu une formation sur les marches à suivre pour les gaz à pétrole liquéfiés en vigueur dans l'industrie du gaz. Le non-respect de ces instructions peut entraîner une explosion, un incendie, des blessures graves ou la mort.

## REPLISSAGE DE LA BOUTEILLE DE GAZ PROPANE

### REPLISSAGE DE LA BOUTEILLE DE GAZ PROPANE

- Placez la valve du robinet de gaz du radiateur et celle de la bouteille de gaz propane à la position D'ARRÊT.
- La vanne du réservoir de propane équipée de l'ancienne installation possède un FILETAGE RENVERSÉ. Tournez le raccord POL dans le SENS ANTIHORAIRE pour le desserrer. Protégez le raccord POL lorsqu'il est déconnecté du réservoir.
- Faites remplir la bouteille par un fournisseur de gaz propane local.
- Fixez en place le réservoir rempli de propane et connectez le raccord POL au raccord du réservoir en tournant dans le SENS ANTIHORAIRE.
- La valve du robinet de gaz du radiateur étant toujours en position D'ARRÊT, ouvrez la vanne de la bouteille et vérifiez s'il y a des fuites de solution savonneuse.

**NE LAISSEZ JAMAIS L'APPAREIL DE CHAUFFAGE ALLUMÉ SANS SURVEILLANCE!**





# RADIATEUR DE CONSTRUCTION AU GAZ PROPANE

## SÉCURITÉ RELATIVE AU PROPANE

Le propane est sécuritaire lorsqu'il est manipulé correctement. Une manipulation négligente du réservoir de gaz propane peut entraîner un incendie et (ou) une explosion. Par conséquent :

- Gardez toujours le réservoir (la bouteille), solidement fixé en position verticale.
- Évitez de pencher le réservoir sur le côté lorsqu'il est connecté à un régulateur, car cela pourrait endommager la membrane du régulateur.
- Manipulez les vannes avec soin.
- Ne branchez jamais un réservoir de gaz propane non réglémenté à un radiateur de construction.
- Ne soumettez pas le réservoir de propane à une chaleur excessive.
- Refermez bien le robinet d'arrêt du gaz sur le réservoir de propane après chaque utilisation.
- Le raccord POL doit être protégé lorsqu'il est déconnecté du réservoir de gaz propane.
- Ne rangez jamais un réservoir de gaz propane à l'intérieur d'un immeuble ou à proximité de tout appareil de combustion de gaz.

**LE RÉSERVOIR DÉCONNECTÉ NE DOIT JAMAIS ÊTRE ENTREPOSÉ DANS UN IMMEUBLE, UN GARAGE NI TOUT AUTRE ESPACE CLOS.**

## VÉRIFICATION DE FUITES

Vérifiez tous les branchements de gaz à l'aide d'une solution savonneuse pour vous assurer qu'ils sont serrés et étanches.

- L'installation de votre radiateur doit être conforme aux codes locaux et (ou) au code de l'utilisation du gaz. En l'absence de codes locaux, elle doit être conforme à la Norme pour l'entreposage et la manipulation des gaz de pétrole liquéfié ANSI/NFPA 58 et au Code d'installation du gaz naturel CSA B149.1.
- Distance minimale d'une construction combustible : En tout temps, les distances suivantes doivent être respectées : côté – 61 cm (24 po); haut – 92 cm (36 po); devant – 183 cm (72 po); Plancher - combustible
- L'ensemble tuyau doit être inspecté visuellement avant chaque utilisation du radiateur. Si vous constatez de l'usure ou de l'abrasion excessive, ou si le tuyau est coupé, vous devez remplacer l'ensemble tuyau avant d'utiliser le radiateur.
- L'ensemble tuyau de remplacement doit être celui qui est spécifié par le fabricant (Se référer à la Liste des pièces).

## INSTRUCTIONS D'ALLUMAGE

**⚠ AVERTISSEMENT :** Le moteur et le ventilateur doivent être en marche avant l'allumage, pendant le fonctionnement de l'appareil et à l'arrêt, afin de prévenir une extinction accidentelle qui pourrait causer des blessures ou entraîner des dommages matériels.

**REMARQUE :** Ce radiateur utilise un système d'allumage par étincelle continu. Cette unité émet constamment un cliquetis, que ce soit avant ou après l'allumage ou durant le.

1. Branchez le cordon d'alimentation à une prise monophasée mise à la terre à trois (3) broches de 120 V, 60Hz.
2. Tournez la valve du robinet de gaz dans le sens horaire ↻ jusqu'à la position D'ARRÊT ○.
3. Attendez cinq (5) minutes pour laisser évacuer tout le gaz. Essayez ensuite de détecter toute odeur de gaz. Si aucune odeur n'est détectée, passez à la prochaine étape.
4. Ouvrir l'alimentation en gaz en tournant le robinet de réservoir dans le sens antihoraire ↺ jusqu'à la position de MARCHE.
5. Appuyez sur le bouton de commande du gaz, puis tournez-le dans le sens antihoraire ↺ jusqu'à la position FAIBLE/ALLUMAGE. Cela allumera le brûleur. Si nécessaire, appuyez sur bouton de commande jusqu'à ce que le brûleur s'allume et maintenez le bouton enfoncé en le faisant passer de la position D'ARRÊT ○ à la position FAIBLE/ALLUMAGE, sur les modèles à allumage par étincelle piézoélectrique. (À la D'ARRÊT ÉLEVÉE/ALLUMAGE sur le modèle FA40 série).
6. Maintenez le bouton de la vanne enfoncé pendant au moins 30 secondes après l'allumage du brûleur. Relâchez le bouton après 30 secondes
7. Si le brûleur ne demeure pas allumé, recommencez les étapes de l'allumage.
8. Lorsque le brûleur est allumé, tournez la valve du robinet de gaz dans le sens antihoraire ↺ jusqu'au réglage souhaité. (Tous les modèles, à l'exception des FA40 série).

**NE LAISSEZ JAMAIS L'APPAREIL DE  
CHAUFFAGE ALLUMÉ SANS SURVEILLANCE!**

# RADIATEUR DE CONSTRUCTION AU GAZ PROPANE



## DIRECTIVES D'ARRÊT

**AVERTISSEMENT:** Le moteur et le ventilateur doivent être en marche avant l'allumage, pendant le fonctionnement de l'appareil et à l'arrêt, afin de prévenir une extinction accidentelle qui pourrait causer des blessures ou entraîner des dommages matériels.

Tournez le bouton de commande du gaz dans le sens horaire ↻ jusqu'à la position D'ARRÊT ○.

Fermez l'alimentation en gaz D'ARRÊT de la bouteille de propane en tournant le bouton dans le sens horaire ↻.

Débranchez le radiateur lorsque celui-ci s'est refroidi et qu'il est à la température de la pièce.

## VÉRIFIEZ L'ALLUMAGE DU RADIATEUR

Pour vérifier l'allumage de votre radiateur de construction, suivez les instructions d'allumage applicables au système de commande de gaz utilisé. Vérifiez les fuites de toutes les connexions de gaz à l'aide d'une solution savonneuse. Des bulles de savon indiquent une fuite de gaz. N'utilisez PAS d'allumette ni de flamme pour vérifier les fuites de gaz.

## RANGEMENT

Ne rangez jamais un réservoir de gaz propane à l'intérieur d'un immeuble ou à proximité de tout appareil de combustion de gaz ou de pétrole. Lorsque la bouteille de propane n'est pas déconnectée du radiateur de construction, la bouteille et le radiateur doivent être rangés à l'extérieur dans un endroit bien ventilé et hors de portée des enfants. Si, pour quelque raison que ce soit, le radiateur doit être entreposé à l'intérieur, la bouteille doit être déconnectée et rangée à l'extérieur dans un endroit bien ventilé, hors de portée des enfants, conformément à la Norme pour l'entreposage et la manipulation des gaz de pétrole liquéfié ANSI/NFPA 58 et au Code d'installation du gaz naturel CSA B149.1. La soupape en plastique fournie avec votre bouteille doit être solidement installée lorsque la bouteille est déconnectée du radiateur.

## INSTRUCTIONS D'ENTRETIEN

1. Mettez l'appareil hors tension, laissez le radiateur refroidir complètement et déconnectez le tuyau de propane avant d'effectuer tout entretien. Débranchez l'appareil de la prise de 120 V.
2. Maintenez l'appareil propre et gardez l'intérieur du logement de la torpille libre de tout débris.
3. Faites vérifier l'appareil par un technicien qualifié au moins une fois par année, de préférence avant la saison de chauffage.

## PIÈCES DE RECHANGE

Pièces sous garantie : Communiquez avec les distributeurs agréés de ce produit. S'ils ne peuvent vous fournir de pièces de rechange d'origine, communiquez avec la centrale des pièces la plus proche ou encore avec les services techniques de GHP Group Inc. au 1 877 447-4768.

Lorsque vous appelez GHP Group Inc., assurez-vous d'avoir sous la main :

- votre nom
- votre adresse
- le problème de fonctionnement du radiateur
- la date d'achat, le modèle et le numéro de série de votre radiateur
- le numéro de modèle du radiateur
- le numéro de la pièce de rechange

**NE LAISSEZ JAMAIS L'APPAREIL DE  
CHAUFFAGE ALLUMÉ SANS SURVEILLANCE!**



# RADIATEUR DE CONSTRUCTION AU GAZ PROPANE

## DÉPANNAGE

PROBLÈME	CAUSES POSSIBLES	MESURE CORRECTIVE
1. Le cadran de réglage est éteint et l'unité émet un cliquetis.	1. Cette situation est normale. Ce radiateur utilise un système d'allumage par étincelle continu. Cette unité émet constamment un cliquetis, que ce soit avant ou après l'allumage ou durant le.	1. Aucune mesure corrective n'est nécessaire.
2. L'allumeur émet un cliquetis pendant le radiateur est allumée.	1. Cette situation est normale. Ce radiateur utilise un système d'allumage par étincelle continu. Cette unité émet constamment un cliquetis, que ce soit avant ou après l'allumage ou durant le.	1. Aucune mesure corrective n'est nécessaire.
3. Le ventilateur ne s'allume pas lorsque la connexion électrique est faite.	1. Il n'y a pas d'électricité. 2. Une pale du ventilateur touche une partie interne de son logement dans le radiateur. 3. La ou les pales sont pliées. 4. Le moteur du ventilateur est défectueux.	1. Vérifiez qu'il y a du courant dans la prise électrique. Si la tension est correcte, vérifiez que le cordon d'alimentation et la rallonge ne sont pas coupés ou endommagés. 2. Assurez-vous que le logement du ventilateur n'est pas endommagé. Assurez-vous que rien ne fait obstacle au ventilateur. 3. Redressez la ou les pales pour qu'elles correspondent aux autres. 4. Remplacez le moteur.
4. Le radiateur ne s'allume pas.	1. Il n'y a pas d'étincelle à l'allumage. 2. L'éclateur est inadéquat. 3. Il y a une mauvaise électrode.	1. Vérifiez le fil d'allumage. Fixez à nouveau ou resserrez le fil s'il est lâche. Vérifiez le module à étincelles. Remplacez-le si nécessaire. 2. Placez la distance (voir les caractéristiques pour la distance). 3. Remplacez la bougie d'allumage.
5. Le radiateur s'arrête pendant qu'il est en marche	1. Une température interne trop élevée amène le disjoncteur à interrompre le fonctionnement. 2. La valve de commande est endommagée. 3. De la poussière ou des débris sont accumulés à l'intérieur du radiateur.	1. Si les sorties des radiateurs sont restreintes, la température interne devient trop élevée. Déplacez le radiateur loin de toute source d'obstruction. 2. Remplacez la vanne de commande. 3. Nettoyez l'intérieur du radiateur.

**Assurez-vous de toujours suivre les procédures d'entretien en nettoyant le radiateur une fois par mois au cours d'une utilisation régulière; vérifiez la bougie de l'éclateur au moins une fois par saison.**

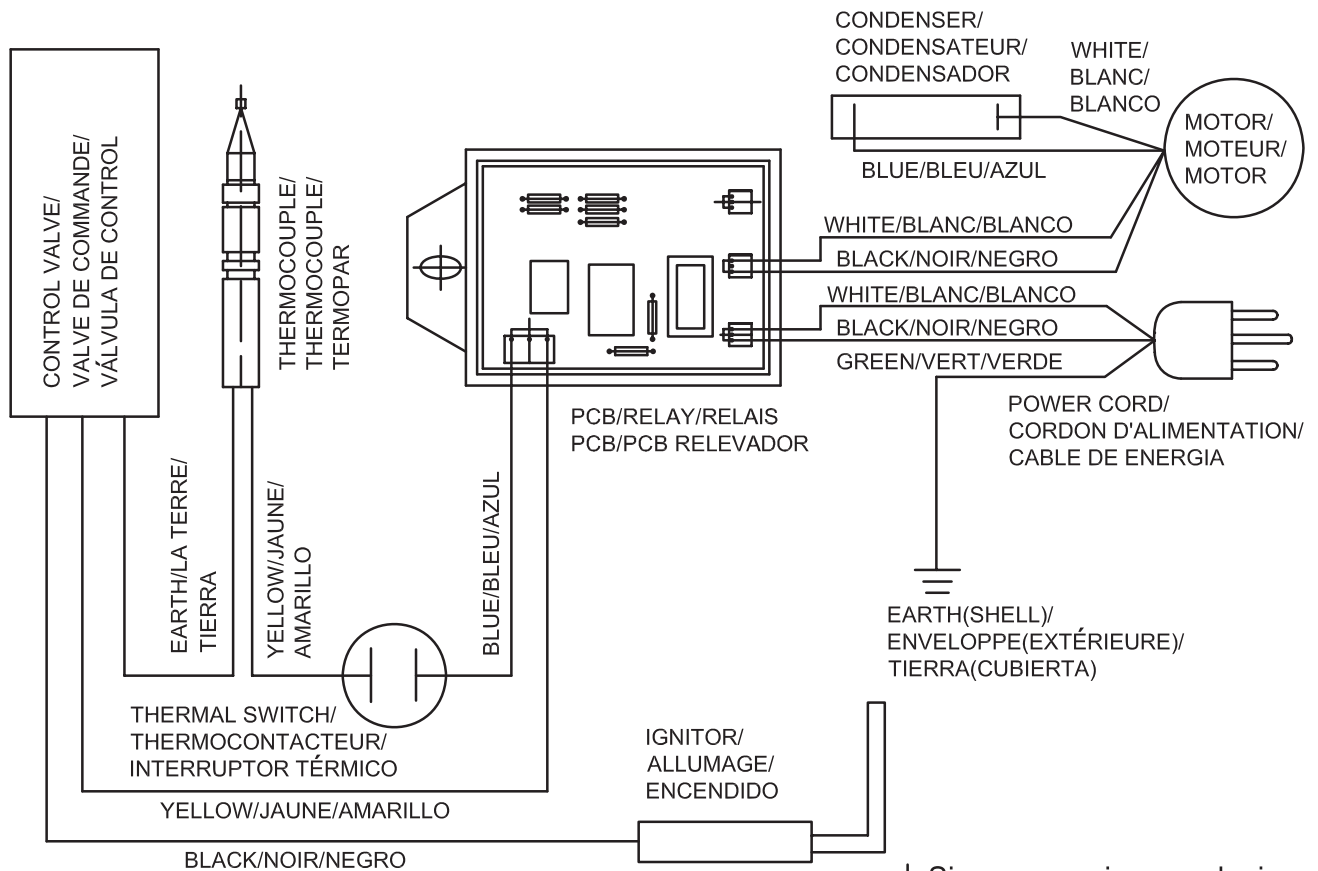
**NE LAISSEZ JAMAIS L'APPAREIL DE  
CHAUFFAGE ALLUMÉ SANS SURVEILLANCE!**

# RADIATEUR DE CONSTRUCTION AU GAZ PROPANE



## DIAGRAMMES DES CÂBLES

PIEZO / MANUAL SPARK MODELS  
MODÈLES À ÉTINCELLE PIÉZOÉLECTRIQUE / MANUELLE  
MODELOS DE CHISPA MANUAL O PIEZOELÉCTRICA



If any original wiring supplied with the heater must be replaced, it must be type AWG 105°C wire or its equivalent, except as indicated.

Si vous devez faire remplacer les fils d'origine du radiateur, procurez-vous du fil AWG 105 Celsius ou l'équivalent, sauf indication contraire.

Si se proporciona cualquier cableado con el calentador se debe reemplazar, debe ser cable tipo AWG 105°C o su equivalente, excepto como se indica.

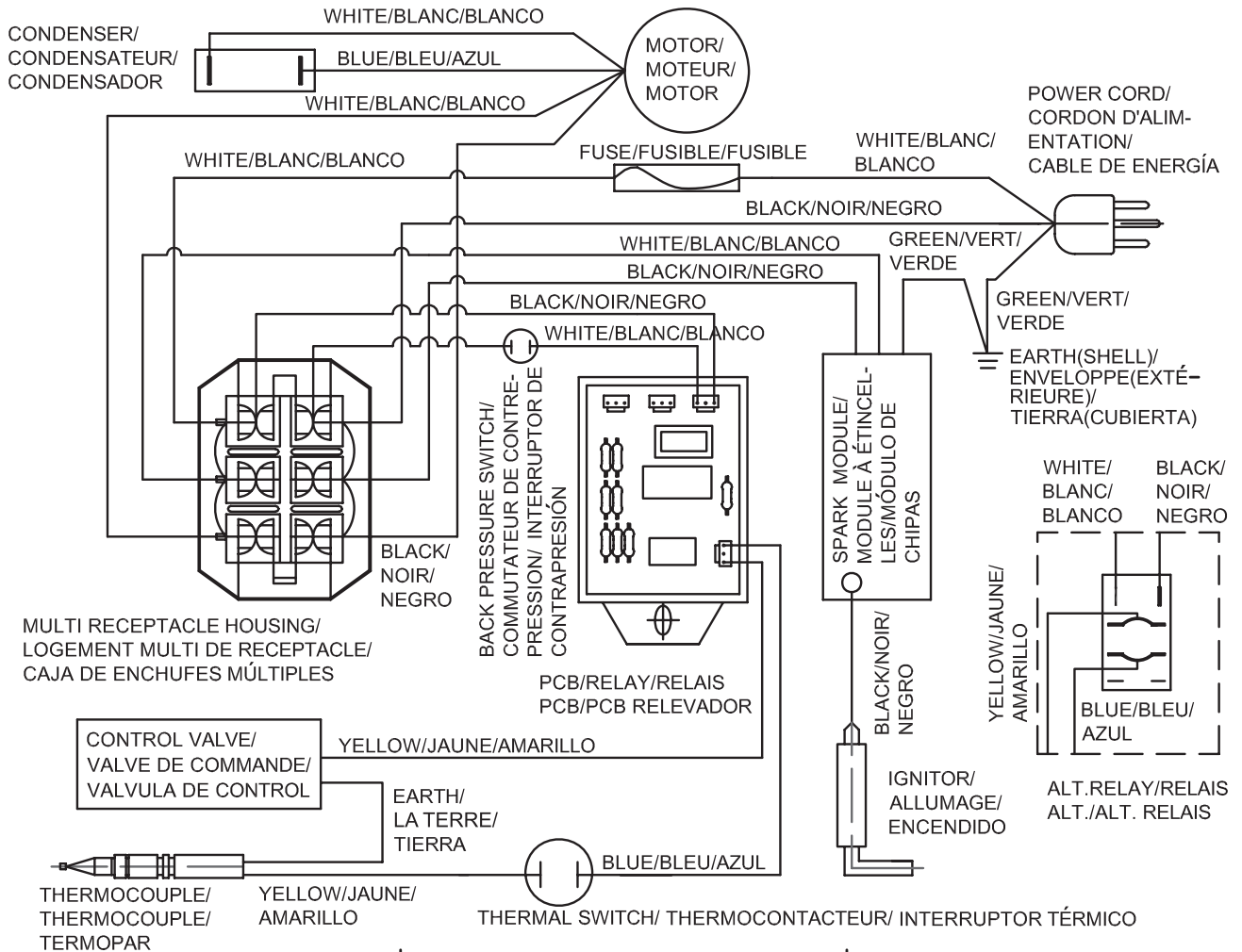
**NE LAISSEZ JAMAIS L'APPAREIL DE CHAUFFAGE ALLUMÉ SANS SURVEILLANCE!**



# RADIATEUR DE CONSTRUCTION AU GAZ PROPANE

## DIAGRAMMES DES CÂBLES

### CONTINUOUS SPARK MODELS/MODÈLES À ÉTINCELLE CONTINUE MODELOS DE CHISPA CONTINUA



If any original wiring supplied with the heater must be replaced, it must be type AWG 105°C wire or its equivalent, except as indicated.  
100K, 125K & 150K Models

Si vous devez faire remplacer les fils d'origine du radiateur, procurez-vous du fil AWG 105 Celsius ou l'équivalent, sauf indication contraire.  
100K, 125K & 150K Les modèles

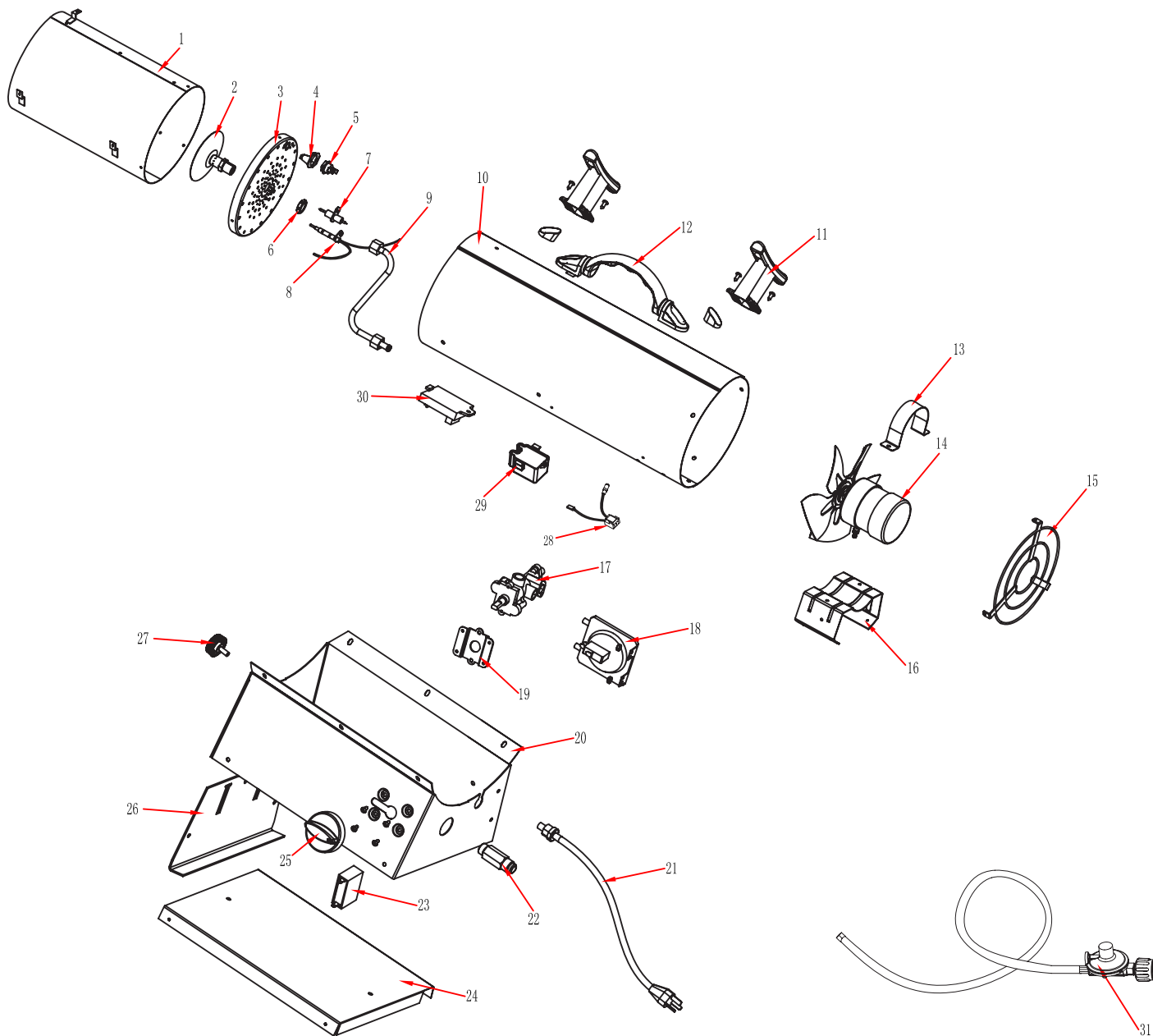
Si se proporciona cualquier cableado con el calentador se debe reemplazar, debe ser cable tipo AWG 105°C o su equivalente, excepto como se indica.  
100K, 125K & 150K modelos

# RADIATEUR DE CONSTRUCTION AU GAZ PROPANE



## DÉTAIL ILLUSTRÉ DES PIÈCES D'UN APPAREIL DE CHAUFFAGE À GAZ PROPANE POUR LA CONSTRUCTION

MODÈLE: FA40 Séries  
FA50 Séries  
FA60 Séries



NE LAISSEZ JAMAIS L'APPAREIL DE  
CHAUFFAGE ALLUMÉ SANS SURVEILLANCE!



# RADIATEUR DE CONSTRUCTION AU GAZ PROPANE

## LISTE DES PIÈCES DE RECHANGE

Article No.	DESCRIPTION	QTE	NUMERO DE PIECE		
			40 SÉRIES	50 SÉRIES	60 SÉRIES
1	BOÎTIER	1	2304818	2304818	2304818
2	BUSE	1	*2304829	*2304942	*2325121
3	BOUCHON DE FLAMME	1	2304819	2304819	2325120
4	SUPPORT DE THERMOCONTACTEUR	1	2304826	2304826	2304826
5	THERMOCONTACTEUR	1	2201373	2201563	2201599
6	ÉCROU DE BUSE	1	2304578	2304578	2304578
7	ENSEMBLE BOUGIE D'ALLUMAGE	1	2201375	2201375	2206033
8	ENSEMBLE THERMOCOUPLE (1130/1474-425L)	1	2304885	2304885	2304885
9	GAZ ENSEMBLE DE TUBE	1	2304830	2304830	2304830
10	ENVELOPPE EXTÉRIEURE - ORANGE	1	2305403	2305403	2305403
	ENVELOPPE EXTÉRIEURE - NOIR	1	2315915	2315915	2315915
	ENVELOPPE EXTÉRIEURE - GRIS	1	2315956	2315956	2315956
	ENVELOPPE EXTÉRIEURE - BLEU	1	2315312	2315312	2315312
11	ENROULEMENT DE CORDE (certains modèles seulement)	2	N/A	N/A	N/A
12	ENSEMBLE POIGNÉE - NOIR	1	2101447	2101447	2101447
	ENSEMBLE POIGNÉE - GRIS	1	2305426	2305426	2305426
12.1	VIS - FRONT DE LA POIGNÉE	1	2001355	2001355	2001355
12.2	VIS - FRONT DE LA POIGNÉE	1	2001077	2001077	2001077
12.3	ÉCROU - POIGNÉE ARRIÈRE	1	2000384	2000384	2000384
13	SUPPORT DE MOTEUR	1	2304823	2304823	2304823
13.1	MONTAGE DU MOTEUR-BOULON	2	2001332	2001332	2001332
13.2	DOUILLE	1	2304949	2304949	2304949
14	MOTEUR	1	2305909	2305447	2304547
14.1	MOTEUR - VENTILATEUR	1	2304821	2304821	2304821
15	GARDE DU VENTILATEUR - NOIR	1	2304828	2304828	2304828
	GARDE DU VENTILATEUR - GRIS	1	2305411	2305411	2305411
16	CONSOLE DE MOTEUR	1	2304937	2304937	2304937
17	VALVE - GAZ	1	GS22 (FA40)	GS22A(FA60)	GS22A(FA60)
18	INTERRUPTEUR DE PRESSION	1	N/A	N/A	N/A
19	SUPPORT DE VALVE	1	2304624	2304624	2304624
20	BASE - NOIR	1	2304923	2304923	2304923
	BASE - GRIS	1	2305405	2305405	2305405
21	CORDON ÉLECTRIQUE	1	2201368	2101670	2101670
22	ENTRÉE DU CONNECTEUR	1	2304831	2304831	2304831
23	CAPACITÉ	1	2201372	2201372	2201372
24	BASE INFÉRIEURE - NOIR	1	2304925	2304925	2304925
	BASE INFÉRIEURE - GRIS	1	2305407	2305407	2305407
25	BOUTON DE LA VANNE À GAZ - NOIR	1	2101451	2101451	2101451
	BOUTON DE LA VANNE À GAZ - ORANGE	1	2305466	2305466	2305466
26	RÉGULATEUR DE HAUTEUR - NOIR	1	2304927	2304927	2304927
	RÉGULATEUR DE HAUTEUR - GRIS	1	2305409	2305409	2305409
27	VIS DE RÉGLAGE DE LA HAUTEUR - NOIR	1	2304510	2304510	2304510
	VIS DE RÉGLAGE DE LA HAUTEUR - ORANGE	1	2305467	2305467	2305467
28	ENSEMBLE FIL DE CONNEXION	1	2201371	2201371	2201371
29	MODULE À ÉTINCELLES	1	N/A	2201391	2201391
30	ENSEMBLE CARTE DE CIRCUITS IMPRIMÉS	1	2201369	2201369	2201369
31	ENSEMBLE RÉGULATEUR ET TUYAU - 10pieds (3mts)	1	KR-106-01(POL-3000)	KR-106-01(POL-3000)	KR-106-01(POL-3000)
	ENSEMBLE RÉGULATEUR ET TUYAU - 10pieds (3mts) avec VOLANT	1	KR-106-01(HW-3000)	KR-106-01(HW-3000)	KR-106-01(HW-3000)
	ENSEMBLE RÉGULATEUR ET TUYAU(QCC) - 10pieds (3mts)	1	TYQ-9C-3000	TYQ-10C-3000	TYQ-10C-3000
	ENSEMBLE RÉGULATEUR ET TUYAU - 15pieds (4.6mts)	1	KR-106-01(POL-4600)	KR-106-01(POL-4600)	KR-106-01(POL-4600)
	ENSEMBLE RÉGULATEUR ET TUYAU - 15pieds (4.6mts) avec VOLANT	1	KR-106-01(HW-4600)	KR-106-01(HW-4600)	KR-106-01(HW-4600)
	ENSEMBLE RÉGULATEUR ET TUYAU(QCC) - 15pieds (4.6mts)	1	TYQ-9C-4572	TYQ-10C-4572	TYQ-10C-4572

\* VERSION NON REPRÉSENTÉ EN VUE ÉCLATÉE

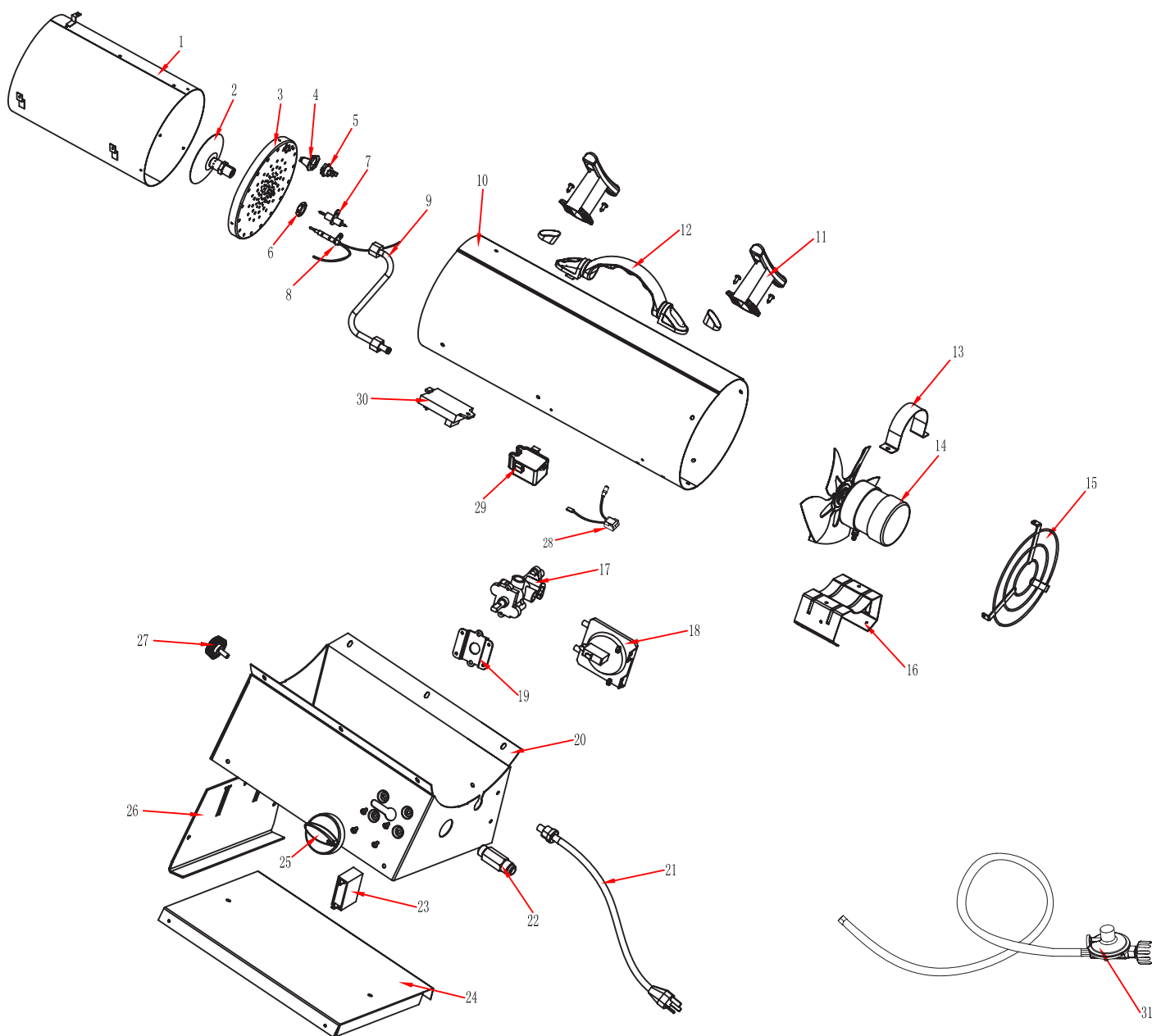
**NE LAISSEZ JAMAIS L'APPAREIL DE  
CHAUFFAGE ALLUMÉ SANS SURVEILLANCE!**

# RADIATEUR DE CONSTRUCTION AU GAZ PROPANE



## DÉTAIL ILLUSTRÉ DES PIÈCES D'UN APPAREIL DE CHAUFFAGE À GAZ PROPANE POUR LA CONSTRUCTION

MODÈLE: RMC-FA100DGD  
RMC-FA125DGD/LPFA125H  
RMC-FA150DGD



NE LAISSEZ JAMAIS L'APPAREIL DE  
CHAUFFAGE ALLUMÉ SANS SURVEILLANCE!





# RADIATEUR DE CONSTRUCTION AU GAZ PROPANE

## LISTE DES PIÈCES DE RECHANGE

Article No.	DESCRIPTION	QTE	NUMERO DE PIECE		
			100 SÉRIES	125 SÉRIES	150 SÉRIES
1	BOÎTIER	1	2304929	2304929	2304929
2	BUSE	1	*2304943	5030077	2304944
3	BOUCHON DE FLAMME	1	2304930	2325122	2304931
4	SUPPORT DE THERMOCONTACTEUR	1	2304826	2315515	2001355
5	THERMOCONTACTEUR	1	2201373	2201373	2201373
6	ÉCROU DE BUSE	1	2304578	2304945	2304945
7	ENSEMBLE BOUGIE D'ALLUMAGE	1	2201392	2206034	2201393
8	ENSEMBLE THERMOCOUPLE (1130/1474-425L)	1	2304885	2304885	2304885
9	GAZ ENSEMBLE DE TUBE	1	2304946	2325138	2304947
10	ENVELOPPE EXTÉRIEURE - ORANGE	1	N/A	2305971	N/A
	ENVELOPPE EXTÉRIEURE - NOIR	1	N/A	N/A	N/A
	ENVELOPPE EXTÉRIEURE - GRIS	1	2315916	2315916	2315916
	ENVELOPPE EXTÉRIEURE - BLEU	1	N/A	N/A	N/A
11	ENROULEMENT DE CORDE (certains modèles seulement)	2	2101423	2101423	2101423
12	ENSEMBLE POIGNÉE - NOIR	1	2101447	2101447	2101447
	ENSEMBLE POIGNÉE - GRIS	1	2305426	2305426	2305426
12.1	VIS - FRONT DE LA POIGNÉE	1	2001355	2001355	2001355
12.2	VIS - FRONT DE LA POIGNÉE	1	2001077	2001077	2001077
12.3	ÉCROU - POIGNÉE ARRIÈRE	1	2000384	2000384	2000384
13	SUPPORT DE MOTEUR	1	2304823	2304823	2304823
13.1	MONTAGE DU MOTEUR-BOULON	2	2001332	2001332	2001332
13.2	DOUILLE	1	2304949	2304949	2304949
14	MOTEUR	1	2304548	2304548	2304548
14.1	MOTEUR - VENTILATEUR	1	2304936	2304936	2304936
15	GARDE DU VENTILATEUR - NOIR	1	2304939	2304939	2304939
	GARDE DU VENTILATEUR - GRIS	1	2305412	2305412	2305412
16	CONSOLE DE MOTEUR	1	2304938	2304938	2304938
17	VALVE - GAZ	1	GS22A(FA125)	GS22A(FA125)	GS22A(FA150)
18	INTERRUPTEUR DE PRESSION	1	2305976	2305976	2305976
19	SUPPORT DE VALVE	1	2304624	2304624	2304624
20	BASE - NOIR	1	2304924	2304924	2304924
	BASE - GRIS	1	N/A	2403354	N/A
21	CORDON ÉLECTRIQUE	1	2101673	2101673	2101673
22	ENTRÉE DU CONNECTEUR	1	2304831	2304831	2304831
23	CAPACITÉ	1	2301390	2301390	2301390
24	BASE INFÉRIEURE - NOIR	1	2304926	2304926	2304926
	BASE INFÉRIEURE - GRIS	1	N/A	2403355	N/A
25	BOUTON DE LA VANNE À GAZ - NOIR	1	2101451	2101451	2101451
	BOUTON DE LA VANNE À GAZ - ORANGE	1	N/A	2305466	N/A
26	RÉGULATEUR DE HAUTEUR - NOIR	1	2304928	2304928	2304928
	RÉGULATEUR DE HAUTEUR - GRIS	1	N/A	2403356	N/A
27	VIS DE RÉGLAGE DE LA HAUTEUR - NOIR	1	2304510	2304510	2304510
	VIS DE RÉGLAGE DE LA HAUTEUR - ORANGE	1	N/A	2305467	N/A
28	ENSEMBLE FIL DE CONNEXION	1	2201371	2201371	2201371
29	MODULE À ÉTINCELLES	1	2201391	2201391	2201391
30	ENSEMBLE CARTE DE CIRCUITS IMPRIMÉS	1	2201369	2201369	2201369
31	ENSEMBLE RÉGULATEUR ET TUYAU - 10pieds (3mts)	1	GR-109(POL-3000)	GR-109(POL-3000)	GR-109(POL-3000)
	ENSEMBLE RÉGULATEUR ET TUYAU - 10pieds (3mts) avec VOLANT	1	GR-109(HW-3000)	GR-109(HW-3000)	GR-109(HW-3000)
	ENSEMBLE RÉGULATEUR ET TUYAU(QCC) - 10pieds (3mts)	1	TYQ-6D1-3000	TYQ-6D1-3000	TYQ-6E1-3000
	ENSEMBLE RÉGULATEUR ET TUYAU - 15pieds (4.6mts)	1	GR-109(POL-4600)	GR-109(POL-4600)	GR-109(POL-4600)
	ENSEMBLE RÉGULATEUR ET TUYAU - 15pieds (4.6mts) avec VOLANT	1	GR-109(HW-4600)	GR-109(HW-4600)	GR-109(HW-4600)
	ENSEMBLE RÉGULATEUR ET TUYAU(QCC) - 15pieds (4.6mts)		TYQ-6D1-4572	TYQ-6D1-4572	TYQ-6E1-4572

\* VERSION NON REPRÉSENTÉ EN VUE ÉCLATÉE

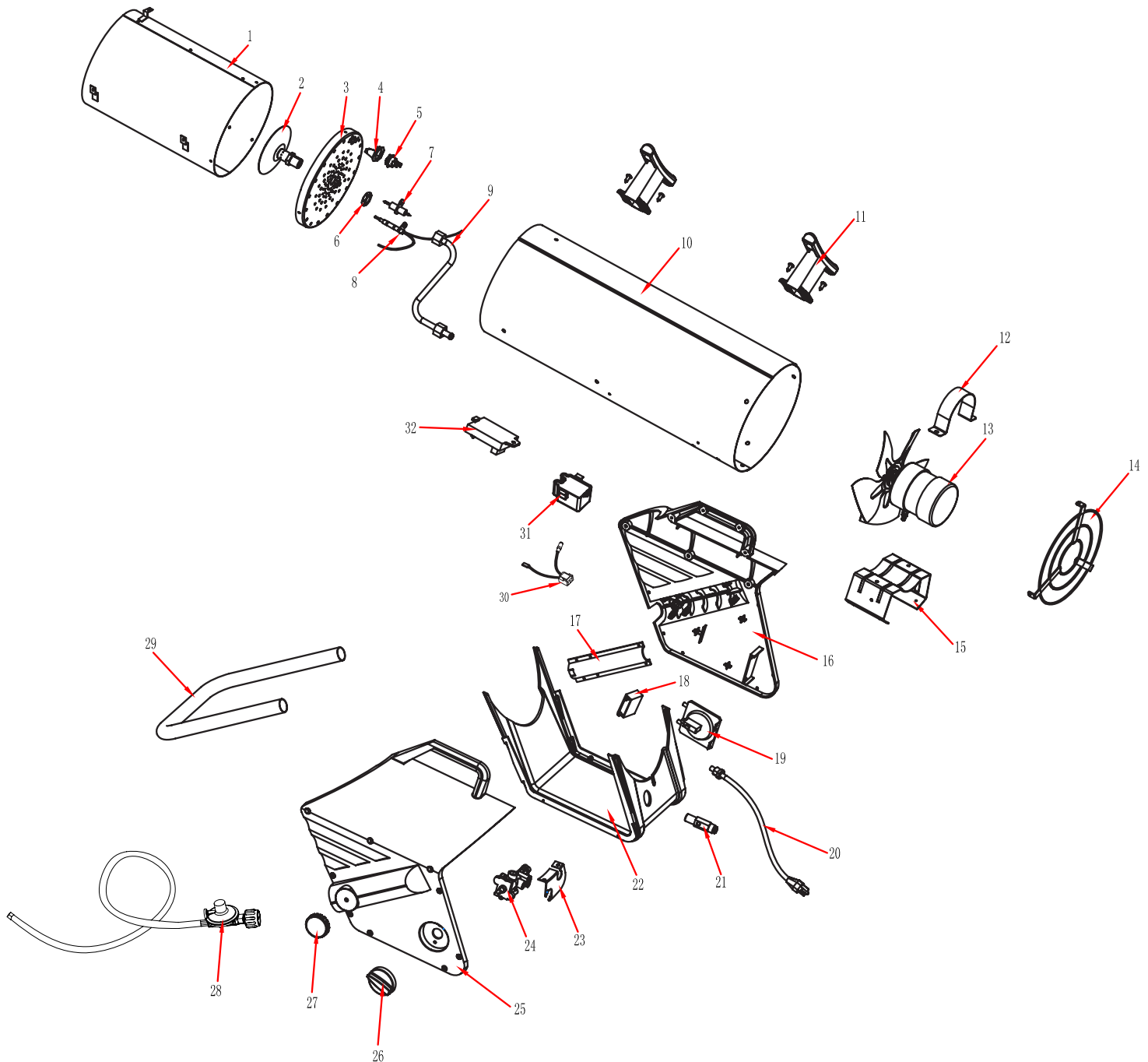
NE LAISSEZ JAMAIS L'APPAREIL DE  
CHAUFFAGE ALLUMÉ SANS SURVEILLANCE!

# RADIATEUR DE CONSTRUCTION AU GAZ PROPANE



## DÉTAIL ILLUSTRÉ DES PIÈCES D'UN APPAREIL DE CHAUFFAGE À GAZ PROPANE POUR LA CONSTRUCTION

MODÈLE: RMC-FA100/DGP/DGP-01  
RMC-FA125/DGP/DGP-01  
LPFA125DGD



NE LAISSEZ JAMAIS L'APPAREIL DE  
CHAUFFAGE ALLUMÉ SANS SURVEILLANCE!



# RADIATEUR DE CONSTRUCTION AU GAZ PROPANE

## LISTE DES PIÈCES DE RECHANGE

Article No.	DESCRIPTION	QTE	NUMERO DE PIECE		
			FA100 DGP	FA125DGP	LPFA125DGD
1	BOÎTIER	1	2304929	2304929	2304929
2	BUSE	1	*2304943	5030077	5030077
3	BOUCHON DE FLAMME	1	2304930	2325122	2325122
4	SUPPORT DE THERMOCONTACTEUR	1	2304826	2315515	2315515
5	THERMOCONTACTEUR	1	2201373	2201373	2201373
6	ÉCROU DE BUSE	1	2304578	2304945	2304945
7	ENSEMBLE BOUGIE D'ALLUMAGE	1	2201392	2206034	2206034
8	ENSEMBLE THERMOCOUPLE (1130/1474-425L)	1	2304885	2304885	2304885
9	GAZ ENSEMBLE DE TUBE	1	2305975	2325137	2325137
10	ENVELOPPE EXTÉRIEURE - ORANGE	1	2305971	2305971	N/A
	ENVELOPPE EXTÉRIEURE - NOIR	1	N/A	N/A	2403443
11	ENROULEMENT DE CORDE	2	2101423	2101423	2101423
12	SUPPORT DE MOTEUR	1	2304823	2304823	2304823
12.1	MONTAGE DU MOTEUR-BOULON	2	2001332	2001332	2001332
12.2	DOUILLE	1	2304949	2304949	2304949
13	MOTOR ENSEMBLE	1	2304548	2304548	2304548
13.1	MOTEUR - VENTILATEUR	1	2304936	2304936	2304936
14	GARDE DU VENTILATEUR - GRIS	1	2305412	2305412	N/A
	GARDE DU VENTILATEUR - NOIR	1	N/A	N/A	2304939
15	CONSOLE DE MOTEUR	1	2304938	2304938	2304938
16	CÔTÉ DROIT DE LA BASE	1	2306000	2306000	2306000
17	SUPPORT DE PATTE	2	2315002	2315002	2315002
18	CAPACITÉ	1	2301390	2301390	2301390
19	INTERRUPTEUR DE PRESSION	1	2305976	2305976	2305976
20	CORDON ÉLECTRIQUE	1	2101673	2101673	2101673
21	ENTRÉE DU CONNECTEUR	1	2304831	2304831	2304831
22	FOND DE LA BASE	1	2315001	2315001	2315001
23	SUPPORT DE VALVE	1	2305973	2305973	2305973
24	VALVE - GAZ	1	GS22A(FA125)	GS22A(FA125)	GS22A(FA125)
25	CÔTÉ GAUCHE DE LA BASE	1	2305999	2305999	2305999
26	BOUTON DE LA VANNE À GAZ - ORANGE	1	2101588	2101588	N/A
	BOUTON DE LA VANNE À GAZ - NOIR	1	N/A	N/A	2101451
27	VIS DE RÉGLAGE DE LA HAUTEUR - ORANGE	2	2315003	2315003	N/A
	VIS DE RÉGLAGE DE LA HAUTEUR - NOIR	2	NA	NA	2403444
28	ENSEMBLE RÉGULATEUR ET TUYAU - 10pieds (3mts)	1	GR-109(POL-3000)	GR-109(POL-3000)	GR-109(POL-3000)
	ENSEMBLE RÉGULATEUR ET TUYAU(QCC) - 10pieds (3mts)	1	N/A	N/A	TYQ-6D1-3000
	ENSEMBLE RÉGULATEUR ET TUYAU - 15pieds (4.6mts)	1	GR-109(POL-4600)	GR-109(POL-4600)	GR-109(POL-4600)
	ENSEMBLE RÉGULATEUR ET TUYAU(QCC) - 15pieds (4.6mts)	1	N/A	N/A	TYQ-6D1-4572
29	PATTE	1	2305972	2305972	2305972
30	ENSEMBLE FIL DE CONNEXION	1	2201371	2201371	2201371
31	MODULE À ÉTINCELLES	1	2201391	2201391	2201391
32	ENSEMBLE CARTE DE CIRCUITS IMPRIMÉS	1	2201369	2201369	2201369

\* VERSION NON REPRÉSENTÉ EN VUE ÉCLATÉE

NE LAISSEZ JAMAIS L'APPAREIL DE  
CHAUFFAGE ALLUMÉ SANS SURVEILLANCE!

# GARANTIE

## GARANTIE RESTREINTE:

Cette garantie est offerte au premier acheteur du radiateur à air pulsé / réchaud rayonnant / radiateur à convection.

Cette garantie couvre les défauts de fabrication et de matériel pendant une année (1) à compter de la date de vente au détail. En tel cas, GHP Group inc. choisira soit de fournir des pièces de remplacement, d'échanger ou de réparer l'appareil, et ce, à condition que l'appareil soit retourné chez le détaillant ou à un centre de service GHP Group Inc. dans le délai prescrit, soit une année (1) à compter de la date de vente au détail. L'acheteur doit assumer les frais d'expédition, main-d'œuvre, etc.),

## RESPONSABILITÉS DU PROPRIÉTAIRE:

Il faut suivre les instructions écrites fournies avec l'appareil de chauffage lors de son utilisation. La garantie ne protège pas le propriétaire qui n'assume pas l'entretien de l'appareil de chauffage conformément aux instructions écrites fournies avec l'appareil de chauffage. Un reçu, un chèque annulé ou un registre de paiement sont nécessaires afin de vérifier la date d'achat et la validité de la garantie. Il est recommandé de garder l'emballage d'origine dans l'éventualité qu'il soit nécessaire de retourner l'appareil garanti.

## Ce qui n'est pas couvert :

1. Les dommages causés par l'utilisation d'un carburant inapproprié;
2. Les dommages causés par une utilisation inappropriée ou contraire aux instructions du manuel de l'utilisateur ou des instructions de sécurité;
3. Les dommages causés par un entretien inadéquat.
4. Les fusibles;
5. L'utilisation de pièces ou d'accessoires qui ne sont pas normalisés;
6. Les dommages survenus lors du transport. Le propriétaire doit assumer les frais de transport des pièces garanties et les frais de transport résultant de l'expédition de l'appareil à la manufacture, ou de la manufacture au propriétaire.

Cette garantie ne protège pas contre les pertes indirectes qui pourraient résulter de l'utilisation, l'utilisation inappropriée ou l'entretien de routine inappropriée de cet appareil de chauffage. Il pourrait y avoir des frais de nettoyage et de remplacement de pièces si la défectuosité de l'appareil résulte d'un entretien inadéquat. Cette garantie couvre seulement les défauts de fabrication et les défauts de matériel.

**LA GARANTIE SERA NULLE SI L'ENTRETIEN DE ROUTINE (Y COMPRIS LE NETTOYAGE) N'EST PAS EFFECTUÉ.**

CETTE GARANTIE RESTREINTE EST DONNÉE AU PROPRIÉTAIRE À LA PLACE DE TOUTES AUTRES GARANTIES EXPRÈS OU TACITE, Y COMPRIS MAIS NON DE FAÇON LIMITATIVE LES GARANTIES DE CONVENANCE DES MARCHANDS POUR UN BUT PRÉCIS. LA PROTECTION RELATIVE À CETTE GARANTIE EST EXCLUSIVE ET EST OFFERTE À LA PLACE DE TOUTE AUTRE PROTECTION. GHP GROUP, INC. NE POURRA EN AUCUN CAS ÊTRE TENU RESPONSABLE DE DOMMAGES ACCESSOIRES OU DOMMAGES CONSÉCUTIFS.

La restriction mentionnée ci-dessus ne vous concerne peut-être pas puisque certaines provinces n'imposent pas de restrictions quant à la durée d'une garantie implicite. La restriction ou l'exclusion mentionnée ci-dessus ne vous concerne peut-être pas puisque certaines provinces ne permettent pas la restriction ou l'exclusion de dommages accessoires ou dommages consécutifs.

## FAIRE UNE RÉCLAMATION:

1. Contactez le détaillant afin de l'informer du problème;
2. Contactez le service des garanties si le détaillant ne peut pas résoudre la problématique. Il faudra expliquer le problème et fournir le numéro de modèle du radiateur et la date d'achat (preuve d'achat);
3. Un représentant vous contactera. N'EXPÉDIEZ PAS L'APPAREIL À GHP GROUP, INC., à moins que le représentant vous le demande. Cette garantie vous accorde des droits. Vous pourriez également avoir d'autres droits qui varient selon la province.

VEUILLEZ, S'IL VOUS PLAÎT, DÛMENT REMPLIR LA CARTE POUR ENREGISTRER LA GARANTIE DE VOTRE RADIATEUR  
ET POSTEZ-LA DANS LES 14 JOURS SUIVANTS LA DATE D'ACHAT OU FAITES-LE EN LIGNE À : [www.ghpgroupinc.com](http://www.ghpgroupinc.com)

NOM: \_\_\_\_\_ TÉLÉPHONE: ( ) \_\_\_\_\_ COURRIEL: \_\_\_\_\_  
ADRESSE: \_\_\_\_\_ VILLE: \_\_\_\_\_ PROVINCE: \_\_\_\_\_ CODE POSTAL: \_\_\_\_\_  
MODÈLE: \_\_\_\_\_ NO DE SÉRIE: \_\_\_\_\_ DATE D'ACHAT: \_\_\_\_\_  
NOM DU DÉTAILLANT: \_\_\_\_\_ TYPE DE MAGASIN: \_\_\_\_\_  
LIEU DE L'ACHAT (VILLE & PROVINCE): \_\_\_\_\_ PRIX PAYÉ: \_\_\_\_\_

Il suffit d'une minute pour répondre aux questions suivantes, nous vous en remercions :  
Les réponses seront gardées confidentielles et utilisées seulement pour une étude de recherche.

Qui a décidé d'acheter le produit?  Homme  Femme  18-24  25-39  40-59  60 et plus

Raison de l'achat? \_\_\_\_\_

Êtes-vous propriétaire d'un autre radiateur portable?  Oui  Non Si oui, type \_\_\_\_\_ Marque \_\_\_\_\_

Où sera utilisé ce nouveau radiateur?  Site de construction Site  Ferme  Entrepôt/Commercial  Garage/Construction accolée  Autre

Comment avez-vous été informé du radiateur?  Étalage en magasin  Annonce dans un journal  Annonce dans un magazine

Ami/Membre de la famille  Annonce télévisée  Commis-vendeur  Autre \_\_\_\_\_

Pourquoi avez-vous choisi ce radiateur?  Style  Dimension/Portabilité  Prix  Emballage  Marque  Autre \_\_\_\_\_

Êtes-vous:  Propriétaire?  Où est-ce loué? Recommanderiez-vous ce radiateur à un ami?  Oui  Non

Veillez nous faire part de vos commentaires: \_\_\_\_\_

NOUS VOUS REMERCIONS D'AVOIR RÉPONDU AU QUESTIONNAIRE!  
L'information sera gardée confidentielle.

## **ENREGISTREMENT DE LA GARANTIE**

**IMPORTANT:** Nous vous conseillons fortement de remplir la carte d'enregistrement au cours des quatorze (14) journées suivant la date de l'achat. Vous pouvez aussi enregistrer la garantie en ligne au: [www.ghpgroupinc.com](http://www.ghpgroupinc.com). Écrivez le numéro de série. Gardez cette partie de la carte pour vos dossiers.



**GHP Group, Inc.**  
6440 W Howard St  
Niles, IL 60714-3302

Tel: (877) 447-4768  
[www.ghpgroupinc.com](http://www.ghpgroupinc.com)

**CONSERVEZ CETTE CARTE!**

Appelez  
Un  
timbre  
ici

**GHP Group, Inc.**  
6440 W Howard St  
Niles, IL 60714-3302



# CALENTADOR DE PROPANO PARA CONSTRUCCIÓN

## MANUAL DEL USUARIO E INSTRUCCIONES DE OPERACIÓN

Dyna-Glo™DELUX MODELOS:	RMC-FA40DGD	(40,000 BTU/HR,	FORCED - AIR)
	RMC-FA50DGD	(30,000/50,000 BTU/HR,	FORCED - AIR)
	RMC-FA60DGD	(30,000/60,000 BTU/HR,	FORCED - AIR)
	RMC-FA100DGD	(70,000/100,000 BTU/HR,	FORCED - AIR)
	RMC-FA125DGD/LPFA125DGD	(70,000/125,000 BTU/HR,	FORCED - AIR)
	RMC-FA150DGD	(120,000/150,000 BTU/HR,	FORCED - AIR)

Dyna-Glo™Pro MODELOS:	RMC-FA40/DGP/DGP-01	(40,000 BTU/HR,	FORCED - AIR)
	RMC-FA50/DGP/DGP-01	(30,000/50,000 BTU/HR,	FORCED - AIR)
	RMC-FA60/DGP/DGP-01	(30,000/60,000 BTU/HR,	FORCED - AIR)
	RMC-FA100/DGP/DGP-01	(70,000/100,000 BTU/HR,	FORCED - AIR)
	RMC-FA125/DGP/DGP-01	(70,000/125,000 BTU/HR,	FORCED - AIR)
	LPFA125H/LPFA125H-01		
	RMC-FA150/DGP/DGP-01	(120,000/150,000 BTU/HR,	FORCED - AIR)



C US

ANS Z83.7-2011 CSA 2.14-2011



Se debe proporcionar la ventilación adecuada.



GHP Group, Inc.  
6440 W Howard St  
Niles, IL 60714-3302



### ADVERTENCIA DE PELIGROS GENERALES



EL NO SEGUIR LAS INSTRUCCIONES Y PRECAUCIONES QUE SE PROPORCIONAN CON ESTE CALENTADOR PUEDE CAUSAR LA MUERTE, HERIDAS CORPORALES GRAVES Y PÉRDIDA DE PROPIEDAD O DAÑOS POR PELIGROS DE INCENDIO, EXPLOSIÓN, QUEMADURAS, ASFIXIA, ENVENENAMIENTO POR MONÓXIDO DE CARBONO Y/O DESCARGAS ELÉCTRICAS.

SOLAMENTE LAS PERSONAS QUE ENTIENDAN Y SIGAN LAS INSTRUCCIONES DEBEN UTILIZAR O DAR SERVICIO A ESTE CALENTADOR.

SI NECESITA AYUDA O INFORMACIÓN DEL CALENTADOR, TAL COMO UN MANUAL DE INSTRUCCIONES, ETIQUETAS, ETC. CONTACTE AL FABRICANTE.

### CONSERVE ESTE MANUAL DE INSTRUCCIONES PARA FUTURA REFERENCIA.

¿Preguntas, problemas, piezas faltantes? Antes de volver a la tienda, comuníquese con nuestro Departamento de Servicio al Cliente llamando al 877-447-4768, de 8:30 a.m. a 4:30 p.m., hora central estándar, de lunes a viernes, o enviándonos un correo electrónico a [customerservice@ghpgroupinc.com](mailto:customerservice@ghpgroupinc.com)

[www.ghpgroupinc.com](http://www.ghpgroupinc.com)

Impreso en China

IMLPFDG - GDK



# CALENTADOR PARA CONSTRUCCIÓN A PROPANO



## ÍNDICE

• Introducción y especificaciones . . . . .	3
• Instrucciones generales de seguridad . . . . .	4
• Características del producto . . . . .	4
• Desempacado del calentador . . . . .	5 - 6
• Tamaño y capacidad de los tanques de gas propano . . . . .	7
• Instalación del tanque de gas propano . . . . .	8
• Rellenado del tanque de gas propano . . . . .	8
• Revisión de fugas y ubicación del calentador . . . . .	9
• Instrucciones de encendido y apagado . . . . .	9 - 10
• Pruebas de incendio y almacenamiento del calentador . . . . .	10
• Diagnóstico y resolución de problemas . . . . .	11
• Diagramas de cableado . . . . .	12 - 13
• Lista de partes de reemplazo . . . . .	15, 17, 19
DESGLOSE ILUSTRADO DE PIEZAS DEL CALENTADOR A GAS PROPANO PARA CONSTRUCCIÓN: RMC-FA40, 50 & 60 SERIE . . . . .	14
RMC-FA100DGD, RMC-FA125DGD, LPFA125H & RMC-FA150DGD . . . . .	16
RMC-FA100DGP/DGP-01, RMC-FA125DGP/DGP-01 & LPFA125DGD . . . . .	18
• Warranty . . . . .	20

**ADVERTENCIA:** FINCENDIO, QUEMADURAS, INHALACIÓN Y PELIGRO DE EXPLOSIÓN, MANTENGA LOS COMBUSTIBLES SÓLIDOS, TALES COMO MATERIALES DE CONSTRUCCIÓN, PAPEL O CARTÓN, A UNA DISTANCIA SEGURA, LEJOS DEL CALENTADOR COMO SE RECOMIENDA EN LAS INSTRUCCIONES.

NUNCA UTILICE EL CALENTADOR EN ESPACIOS QUE CONTENGAN O PUEDAN CONTENER COMBUSTIBLES VOLÁTILES O PARTÍCULAS DE LOS MISMOS EN EL AIRE, O PRODUCTOS TALES COMO GASOLINA, SOLVENTES, DISOLVENTES PARA PINTURA, PARTÍCULAS DE POLVO O QUÍMICOS DESCONOCIDOS.

**PROPOSICION 65 DE CALIFORNIA:** Los combustibles utilizados en los artefactos de combustión de gas o petróleo y los productos de combustión de tales combustibles, contienen sustancias químicas conocidas en el Estado de California como causantes de cáncer, defectos congénitos y otros daños del sistema reproductor. Este producto contiene sustancias químicas, incluyendo plomo y compuestos de plomo, conocidos en el Estado de California como causantes de cáncer, defectos congénitos y otros daños del sistema reproductor. **Lávese las manos después de su manipulación.**

**ADVERTENCIA:** Usar este calentador en un garaje residencial requiere que el calentador se coloque de manera que quede protegido contra cualquier daño posible por parte de un vehículo en movimiento, etc. Se debe colocar de tal forma que la base del calentador no quede a menos de 45,72 cm (18 pulg) sobre el piso del garaje o 2,44 m (8 pulg) en garajes de reparación. El calentador se debe colocar sobre una superficie estable. No lo coloque en una silla, escalera, etc. Elevar el calentador reducirá PERO NO eliminará la posibilidad de encender el vapor de cualquier líquido inflamable que puede ser almacenado de manera inadecuada o derramado de manera accidental. Si huele a gasolina, NO ponga en funcionamiento este calentador hasta que el área haya sido ventilada de manera apropiada.

**ADVERTENCIA: CALENTADORES DE CONSTRUCCIÓN NO SON PARA USO EN GARAJES EN CANADÁ.**

**ADVERTENCIA: NO ES PARA USO EN CASA O EN VEHÍCULOS DE USO RECREATIVO.**

**¡NUNCA DEJE EL CALENTADOR DESATENDIDO CUANDO ESTÉ ENCENDIDO!**





# CALENTADOR DE PROPANO PARA CONSTRUCCIÓN

## CALENTADORES DYNA-GLO DE AIRE FORZADO CON PROPANO PARA CONSTRUCCIÓN

El calentador está diseñado y aprobado para su uso como calentador para construcción bajo ANS Z83.7 CSA 2.14. Es difícil anticipar cada uso que se le puede dar a este calentador. **REVISE CON LAS AUTORIDADES DE PREVENCIÓN DE INCENDIOS LOCALES SI TIENE PREGUNTAS ACERCA DE LAS APLICACIONES.**

Hay otras normas que rigen el uso de gases combustibles o de productos que generan calor en aplicaciones específicas. Las autoridades de su localidad le pueden dar información sobre esto.

**IMPORTANTE:** LEA ESTE MANUAL DE USUARIO DETENIDA Y COMPLETAMENTE ANTES DE INTENTAR OPERAR O DAR SERVICIO A ESTE CALENTADOR. EL USO INADECUADO DE ESTE CALENTADOR PUEDE CAUSAR DAÑOS GRAVES O LA MUERTE POR INCENDIO, EXPLOSIÓN Y ENVENENAMIENTO POR MONÓXIDO DE CARBONO.

Éste es un calentador para construcción con aire a presión y fuego directo para uso en interiores y a la intemperie. Su uso principal es calentar de manera temporal los edificios o estructuras en construcción, remodelación o reparación. Todos los productos de combustión generados por el calentador son forzados mediante el calentador y liberados en el área a calentar. Este calentador opera aproximadamente a una eficiencia de combustión de 98%, pero aun así produce una pequeña cantidad de monóxido de carbono. Los seres humanos pueden tolerar pequeñas cantidades de monóxido de carbono por pequeños periodos de tiempo. El monóxido de carbono se puede acumular en un espacio calentado y si no existe una ventilación adecuada puede causar envenenamiento o la muerte.

**⚠️ ADVERTENCIA: No es para utilizarse con ductos.**

## ESPECIFICACIONES

No. de modelo	RMC-FA40DGP/ DGP-01	FA50 Serie	FA60 Serie	RMC-FA100DGD/ DGP/DGP-01	LPFA125DGD/ RMC-FA125DGP/ DGP-01	LPFA125H/H-01/ RMC-FA125DGD	RMC-FA150DGD
Potencia	40,000 BTU/hr	30,000 BTU/hr 50,000 BTU/hr	30,000 BTU/hr 60,000 BTU/hr	70,000 BTU/hr 100,000 BTU/hr	70,000 BTU/hr 125,000 BTU/hr	70,000 BTU/hr 125,000 BTU/hr	120,000 BTU/hr 150,000 BTU/hr
Tipo de gas	Propano	Propano	Propano	Propano	Propano	Propane	Propano
Presiones de abastecimiento de gas para máximo de regulador	Presión de cilindro	Presión de cilindro	Presión de cilindro	Presión de cilindro	Presión de cilindro	Cylinder Pressure	Presión de cilindro
Mínimo (para fines de ajuste de salida)	5psig	5psig	5psig	5psig	5psig	5psig	5psig
Presión del múltiple	11" W.C	11" W.C	11" W.C	11" W.C	11" W.C	11" W.C	11" W.C
Consumo de gas	1.9lbs/hr 0.86 kg/hr	1.4lbs/hr 0.63 kg/hr 2.3lbs/hr 1.04 kg/hr	1.4lbs/hr 0.63 kg/hr 2.8lbs/hr 1.27 kg/hr	3.3lbs/hr 1.5 kg/hr 4.6lbs/hr 2.09 kg/hr	3.3lbs/hr 1.5 kg/hr 5.8lbs/hr 2.63 kg/hr	3.3lbs/hr 1.5 kg/hr 5.8lbs/hr 2.63 kg/hr	5.6lbs/hr 2.54 kg/hr 7.0lbs/hr 3.18 kg/hr
Entrada eléctrica	120V, 60Hz, 1Ø	120V, 60Hz, 1Ø	120V, 60Hz, 1Ø	120V, 60Hz, 1Ø	120V, 60Hz, 1Ø	120V, 60Hz, 1Ø	120V, 60Hz, 1Ø
Amperaje	Carga	0.68amps	0.65amps	0.65amps	0.7amps	0.7amps	0.7amps
Abanico	Descarga	3550rpm	3570rpm	3570rpm	3580rpm	3580rpm	3580rpm
	Carga	3000rpm	3300rpm	3300rpm	3300rpm	3300rpm	3300rpm
Encendido	Piezoeléctrico/ Chispa manual	Chispa continua	Chispa continua	Chispa continua	Chispa continua	Continuous Spark	Chispa continua
Separación de bujía	0.16" (4mm)	0.16" (4mm)	0.16" (4mm)	0.16" (4mm)	0.16" (4mm)	0.16" (4mm)	0.11" (2.8mm)
Tamaño (largo x ancho x alto)	19.3"x8.3"x15.2" (49.0x21.1x38.6)cm	19.3"x8.3"x15.2" (49.0x21.1x38.6)cm	19.3"x8.3"x15.2" (49.0x21.1x38.6)cm	25.6"x12.7"x15.6" (65.0x32.3x39.6)cm 25.6"x11.8"x16.1" (65.0x30.0x40.9)cm	26.6"x13.0"x17.3" (67.6x33.0x43.9)cm 25.6"x11.8"x16.1" (65.0x30.0x40.9)cm	26.2"x11.8"x17.2" (66.6x30.0x43.6)cm 25.6"x11.8"x16.1" (65.0x30.0x41.0)cm	25.6"x11.8"x16.1" (65.0x30.0x40.9)cm

**¡NUNCA DEJE EL CALENTADOR  
DESATENDIDO CUANDO ESTÉ ENCENDIDO!**

# CALENTADOR DE PROPANO PARA CONSTRUCCIÓN



## INSTRUCCIONES GENERALES DE SEGURIDAD

Los accidentes son trágicos siempre, especialmente porque muchos de ellos pudieron haberse prevenido con un poco de cuidado y juicio. Hay algunas buenas prácticas básicas y esperamos que las siga para un uso seguro de su calentador.

## INFORMACIÓN IMPORTANTE DE SEGURIDAD

- Se debe supervisar cuidadosamente a los niños cuando estén en el área
- Mantenga siempre un resguardo considerable de los materiales combustibles. Resguardo mínimo de los combustibles: parte lateral: 24" (61 cm); parte superior: 36" (92 cm); parte frontal: 72" (183 cm). Piso: no combustible. No puede ser usado sobre pisos acabados.
- El calentador debe colocarse sobre una superficie estable y nivelada.
- Nunca coloque algo que contenga ropa u otros artículos inflamables sobre el calentador.
- El área donde está el aparato debe mantenerse limpia y libre de materiales combustibles, gasolina y otros vapores y líquidos inflamables.
- No modifique u opere un calentador que ha sido modificado.
- Se debe conservar siempre un espacio libre adecuado para la accesibilidad, y para el abastecimiento de aire para ventilación y combustión cuando el calentador esté en operación.
- El servicio y la reparación los debe realizar una persona de servicio calificada. El calentador se debe inspeccionar antes de cada uso y al menos una vez al año por una persona calificada. Puede requerir limpieza con más frecuencia, según sea necesario. No le dé servicio si está caliente o en operación.
- Nunca conecte el calentador a un abastecimiento de gas no regulado.
- El calentador se embarca de la fábrica para ser usado con gas LP (Propano). Este calentador es para utilizarse sólo con gas propano, no utilice otro tipo de gas. La instalación debe realizarse de acuerdo a los códigos locales y, en ausencia de códigos locales, de acuerdo a las normas ANSI/NPA 58 para el Almacenamiento y Manejo de Gases Licuados del Petróleo y al Código CSA B149.1 de Instalación de Gas Propano y Gas Natural.
- Las presiones mínimas y máximas de entrada al regulador desde el tanque de gas son de 5psi y presión de botella, respectivamente. Utilice sólo el regulador y el sistema de mangueras que se proporcionan con el calentador. Inspeccione el regulador y sistema de manguera antes de cada uso del calentador. Si hay abrasión o desgaste excesivo, o la manguera está cortada, reemplácelos con los artículos enumerados en la lista de partes antes de utilizar el calentador.
- Las conexiones de abastecimiento de gas se deben revisar utilizando una solución hecha de agua y jabón líquido para platos (a mitades) y nunca utilice una flama para revisar las fugas de gas.
- La conexión eléctrica y a tierra debe cumplir con el Código Eléctrico Nacional. ANSI/NFPA 70 o en Canadá CSA con el Código Eléctrico Canadiense C22.1, Parte 1. Utilice sólo un enchufe puesto a tierra debidamente de tres (3) clavijas.
- No limite las entradas o salidas por ningún motivo. El flujo de combustión y el aire de ventilación no se deben obstruir.
- Este calentador no debe estar dirigido hacia cualquier contenedor de propano-gas dentro de 20 pies (6m.). El calentador debe estar situado por lo menos 6 pies (1,83 m) en los EE.UU., o (ii) 10 pies (3 m) de Canadá, de cualquier depósito de gas propano.
- El sistema de abastecimiento de cilindros de propano se debe arreglar para permitir la salida del vapor de los cilindros en operación.
- Este calentador no debe estar usado con termostatos, temporizadores externos u otros aparatos que controlan o alteran el suministro eléctrico al calentador.

**⚠ ADVERTENCIA:** El motor y el abanico deben estar en funcionamiento antes de encender el calentador, durante la operación y también al apagarlo, con el fin de prevenir que salga alguna flama y cause heridas corporales o daños a la propiedad.

## CARACTERÍSTICAS DEL PRODUCTO

- Portátil, estable y completamente ensamblado
- Resistente al viento y protegido contra lluvias
- Encendido continuo por chispa o encendido por chispa piezoeléctrica
- Sistema de apagado 100% seguro
- Clasificación de entrada de ajuste continuo (Excepto FA40)

**¡NUNCA DEJE EL CALENTADOR  
DESATENDIDO CUANDO ESTÉ ENCENDIDO!**



# CALENTADOR DE PROPANO PARA CONSTRUCCIÓN

## DESEMPACADO

1. Saque el calentador de la caja.
2. Retire todos los empaques protectores que se le colocan al calentador al embarcarlo.
3. Conserve las cajas y los materiales de empaque hasta que éste esté funcionando y se encuentre en buenas condiciones.
4. Revise si el calentador no se dañó durante el envío. Si el calentador muestra cualquier daño externo o interno, informe de inmediato al comerciante o distribuidor donde lo compró.

### Los componentes de la Asamblea e instrucciones para las unidades de acero basadas en:

#### Herramientas necesarias para el ensamblaje:

**Todos los modelos:** Llave ajustable  
**FA100 - FA150:** Destornillador Phillips

#### Contenido:

**Todos los modelos:** Unidad, Manual,  
Ensamble de la Manguera con Regulador  
**FA100 - FA150 Series Incluyen:**  
2 Accesorios para envolver de cables,  
4 tornillos (ST3.5x10)

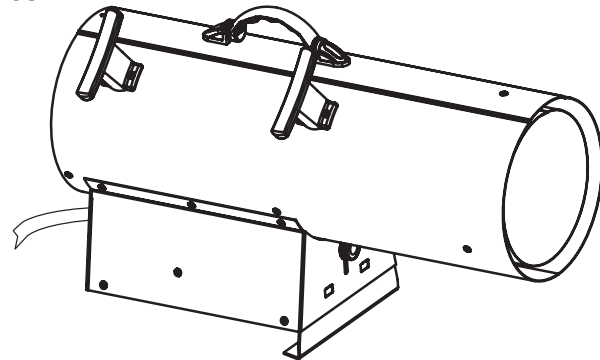
**Tiempo de ensamblado:**  
5 Minutos

#### 1. Ensamblando los Accesorios para Envolver de Cables: (FA100 - FA150 Series)

##### Partes requeridas:

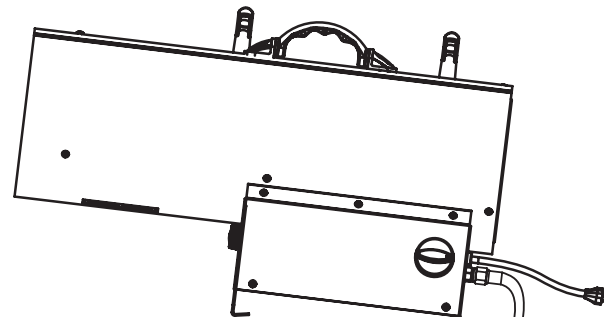
4 tornillos (ST3.5x10) y 2 Accesorios para envolver de cables

Ponga las adhesiones de envoltura del cordón como se muestra abajo, luego use el destornillador Phillips para ajustar los tornillos y asegurar las adhesiones de la envoltura del cordón.



#### 2. Ensamble de la Manguera con Regulador: (Todos los Modelos)

Vea la figura de la derecha.  
Conecte la manga ajustadamente al calentador usando una llave de tuercas. Por favor también refiérase a la página 8 en el manual.



Trabarlo, en el sentido de las manijas del reloj, use una llave de tuercas

Ensamblaje de la manguera

**¡NUNCA DEJE EL CALENTADOR  
DESATENDIDO CUANDO ESTÉ ENCENDIDO!**

# CALENTADOR DE PROPANO PARA CONSTRUCCIÓN



Los componentes de la Asamblea y las instrucciones para las unidades de base de plástico (*continuación*):

**Herramientas necesarias para el ensamblaje:**

**Todos los modelos:** Llave ajustable

**FA125 Series:** Destornillador Phillips

**Contenido:**

**Todos los modelos:** Unidad, Manual, Ensamble de la Manguera con Regulador, 2 Piezas de Tornillo del Control de la Altura

**FA125 Series Incluye:**

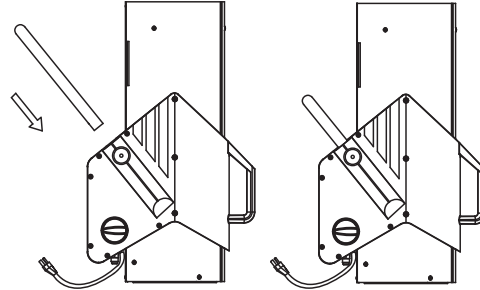
2 Accesorios para Envolver de Cables, 4 tornillos (ST3.5x10), Piernas Ajustables,

**Tiempo de ensamblado:**  
5 Minutos

## 1. Ensamblar la Pata:

**Partes requeridas:** 1 Piernas Ajustables

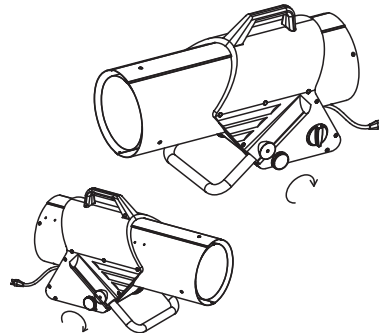
Poner el calentador como se muestra, inserte la pata dentro de los huecos de la base, luego ajuste a la altura deseada.



## 2. Montar el tornillo del control de la altura:

**Partes requeridas:** 2 piezas de Tornillo del Control de la Altura

Dé vuelta al tornillo del control de la altura a la derecha para trabarlo. Dé vuelta al tornillo del control de la altura a la izquierda para destrabar.

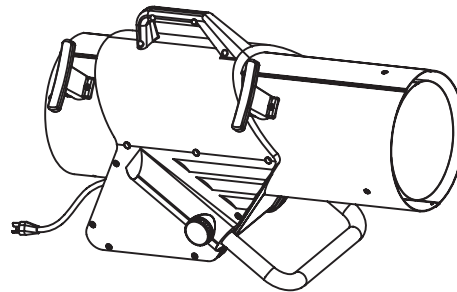


Trabarlo, en el sentido de las manijas del reloj

## 3. Ensamblando Ensamble de la Manguera con Regulador:

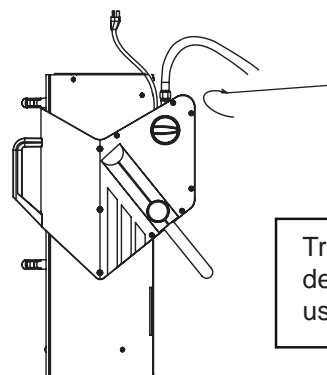
**Instrumentos requeridos:** Destornillador Phillips  
**Partes requeridas:** 4 Tornillos ST3.5x10 y 2 adhesiones de envoltura del cordón

Ponga las adhesiones de envoltura del cordón como se muestra abajo, luego use el destornillador Phillips para ajustar los tornillos y asegurar las adhesiones de la envoltura del cordón.



## 4. Regulador y Conexión de la Manga:

Vea la figura en la derecha. Conecte la manga ajustadamente al calentador usando una llave de tuercas. Por favor también refiérase a la página 8 en el manual.



Ensamblaje de la manguera

Trabarlo, en el sentido de las manijas del reloj, use una llave de tuercas

**¡NUNCA DEJE EL CALENTADOR DESATENDIDO CUANDO ESTÉ ENCENDIDO!**



# CALENTADOR DE PROPANO PARA CONSTRUCCIÓN

## INFORMACIÓN DE TAMAÑO \* Y CAPACIDAD DE LOS CILINDROS DE PROPANO:

La siguiente tabla muestra el número y el tamaño de los tanques de propano necesarios para que el calentador funcione.

\*El gas se vaporiza menos a temperaturas más bajas.

Usted puede necesitar dos o más tanques de 100 libras (45 kg) o un tanque grande en tiempo de frío. (Vea la lista de partes para su modelo de calentador para obtener el sistema de regulador específico)

Temperatura en (°F -°C) en el tanque	Número de tanques		
	40,000-60,000 BTU/hora	100,000 -125,000 BTU/hora	150,000 BTU/hora
Más de 32°F (0°C)	1 - 20lb (9kg)	2 - 100lb (45kg)	2 - 100lb (45kg)
32°F (0°C)	1 - 20lb (9kg)	2 - 100lb (45kg)	2 - 100lb (45kg)
20°F (-7°C)	1 - 20lb (9kg)	2 - 100lb (45kg)	3 - 100lb (45kg)
10°F (-12°C)	1 - 20lb (9kg)	3 - 100lb (45kg)	3 - 100lb (45kg)
-10°F (-23°C)	2 - 20lb (9kg)	Utilice un tanque más grande	Utilice un tanque más grande
-20°F (-29°C)	1 - 100lb (45kg)	Utilice un tanque más grande	Utilice un tanque más grande

**El tanque de gas propano (LP) puede estar equipado también con lo siguiente:**

- Un collar para proteger la válvula de gas propano.
- Una llave de paso en la salida de la válvula del tanque de gas como se especifica en las Normas Nacionales Estadounidenses para las Salidas de la Válvula del Cilindro de Gas Compreso y las Conexiones de Entrada.
- Una válvula de descarga segura con comunicación directa al área de vapor del tanque.
- Una adaptación para la salida del vapor.

**El regulador de presión de gas propano (LP) y el sistema de manguera que se proporcionan con el calentador se deben utilizar sin ninguna alteración.**

El sistema de manguera se revisará visualmente antes de cada uso del calentador. Si es evidente que hay abrasión o desgaste excesivo, o la manguera está cortada, se debe reemplazar antes de poner de nuevo en operación el calentador. El reemplazo del sistema de manguera deberá ser el que especifica el fabricante.

**¡NUNCA DEJE EL CALENTADOR  
DESATENDIDO CUANDO ESTÉ ENCENDIDO!**

# CALENTADOR DE PROPANO PARA CONSTRUCCIÓN



## INSTALACIÓN DEL TANQUE DE GAS PROPANO

**IMPORTANTE:** Usted debe utilizar un tanque de abastecimiento de gas propano (LP) que sea compatible con el dispositivo de conexión que se proporciona con la manguera y el regulador.

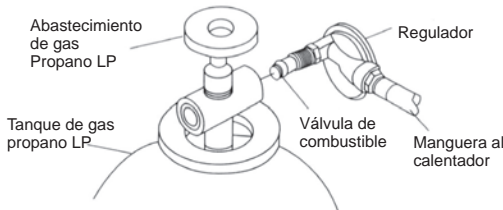


FIGURA 1

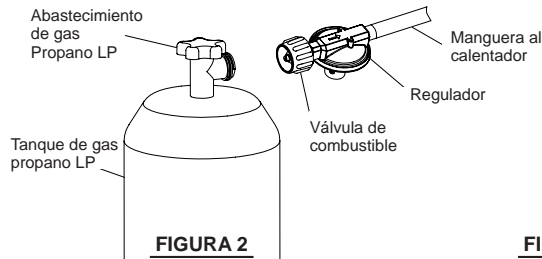


FIGURA 2

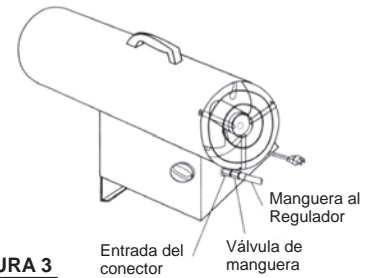


FIGURA 3

1. Proporcionar un sistema de abastecimiento de gas propano. Verifique que la válvula en el cilindro esté completamente cerrada girando la perilla completamente en dirección de las manecillas del reloj (↻). Asegúrese de que el cilindro esté completamente vertical para permitir la extracción de vapores. (LP) (ver Abastecimiento de gas propano (LP), página 7).
2. Conectar la manguera a la entrada del calentador. Ajústela firmemente utilizando una llave. Debe utilizar el regulador que se proporciona con el calentador.
3. Conectar el sistema de regulador y manguera de gas combustible a los tanques de gas propano (LP).
  - 3a. Para unidades con conector POL (ver Figura 1) gire el aditamento de combustible hacia la izquierda en las roscas del tanque. Ajústelo firmemente utilizando una llave. Algunos modelos tienen una manivela que se puede usar para apretar el acople. Esta manivela puede ser quitada de la tuerca para que también pueda usar una llave para apretar el acople. **IMPORTANTE:** Coloque el regulador de manera que la manguera que sale del regulador esté en posición horizontal.
  - 3b. Para unidades con conector QCC (ver Figura 2) gire el QCC aditamento de combustible en sentido horario en las roscas del tanque. Ajústelo firmemente utilizando tu mano (NO UTILICE UNA LLAVE). **IMPORTANTE:** Coloque el regulador de manera que su ventilación apunte hacia abajo, hacia el piso y la flecha del regulador sea visible.
4. Abrir lentamente la válvula de abastecimiento de gas propano (LP) del tanque. **NOTA:** Si no la abre lentamente, el dispositivo de flujo excesivo del regulador puede detener el flujo de gas. Si esto ocurre, cierre la válvula de abastecimiento de gas, espere un minuto (o hasta que escuche un clic) y ábrala de nuevo lentamente.
5. Revise todas las conexiones para ver si hay fugas. Aplique una solución de jabón líquido para platos y agua (a mitades) en las uniones. La formación de burbujas muestra una fuga que se debe arreglar.
6. Cierre la válvula de abastecimiento de gas antes de intentar reparar la conexión.



**ADVERTENCIA:** El purgado y llenado de los tanques de gas lo debe realizar personal que haya sido perfectamente capacitado en cuanto a los procedimientos aceptados de la industria de gas LP. El no seguir estas instrucciones puede causar una explosión, incendio, daños corporales graves o la muerte.

## RELLENADO DEL TANQUE DE GAS PROPANO

**TODOS LOS CILINDROS NUEVOS SE DEBEN PURGAR ANTES DEL PRIMER LLENADO.**

- Gire la perilla de la válvula de gas y la válvula del tanque de gas a la posición de APAGADO.
- La válvula de gas propano equipada con el aditamento estilo antiguo tiene ROSCAS INVERSAS. Gire el aditamento POL hacia la derecha para aflojarlo. Proteja el aditamento POL cuando esté desconectado del tanque.
- Realice el llenado del tanque con su proveedor de gas propano local.
- Ajuste el tanque lleno y conecte el aditamento POL a la válvula del tanque girando hacia la derecha.
- Con la perilla de la válvula de gas del calentador todavía en APAGADO, prende la válvula del tanque y revise con solución de jabón si hay alguna fuga.

**¡NUNCA DEJE EL CALENTADOR DESATENDIDO CUANDO ESTÉ ENCENDIDO!**



# CALENTADOR DE PROPANO PARA CONSTRUCCIÓN

## SEGURIDAD DEL GAS PROPANO

El gas propano es seguro cuando se maneja de manera apropiada. La falta de cuidado en el manejo del tanque de gas puede causar un incendio o explosión. Por lo tanto:

- Mantenga el tanque siempre sujetado de manera segura en posición vertical.
- Evite inclinar el tanque cuando lo conecte a un regulador, ya que esto puede causar daños al diafragma en el regulador.
- Maneje las válvulas con cuidado.
- Nunca conecte un tanque de gas no regulado al calentador para construcción.
- No exponga el tanque de gas al calor excesivo.
- Cierre con fuerza la llave de paso del tanque de gas después de cada uso.
- El aditamento POL se debe proteger al desconectarlo del tanque de gas.
- Nunca almacene el tanque de gas dentro de un edificio o cerca de electrodomésticos a base de gas.

**EL TANQUE DESCONECTADO NO SE DEBE ALMACENAR NUNCA EN UN EDIFICIO, COCHERA O CUALQUIER OTRA ÁREA CERRADA.**

## REVISIÓN DE FUGAS





Revise todas las conexiones de gas con solución de jabón para asegurarse que están ajustadas y sin fugas.

- La instalación de su calentador debe cumplir con todos los códigos locales o, en ausencia de códigos locales, de acuerdo a las normas ANSI/NPA NPA 58 para el Almacenamiento y Manejo de Gases Licuados del Petróleo y al Código CSA B149.1 de Instalación de Gas Propano y Gas Natural.
- Mantenga siempre los resguardos mínimos de la construcción combustible (parte lateral: 24" (61 cm); parte superior: 36" (92 cm); parte frontal: 72" (183 cm); Piso - combustible, debe ser mantenido siempre.
- El sistema de manguera se inspeccionará visualmente antes de cada uso del calentador. Si es evidente que hay abrasión o desgaste excesivo, o la manguera está cortada, se debe reemplazar antes de poner de nuevo en operación el calentador.
- El reemplazo del sistema de manguera deberá ser el que especifica el fabricante (Refiérase a la lista de partes).

## INSTRUCCIONES DE ENCENDIDO

**⚠️ ADVERTENCIA:** El motor y el abanico deben estar en funcionamiento antes de encender el calentador, durante la operación y también al apagarlo, con el fin de prevenir que salga alguna flama y cause heridas corporales o daños a la propiedad.

**NOTA:** Este calentador utiliza un sistema de encendido continuo. Esta unidad seguirá haciendo un chasquido todo el tiempo antes del encendido, después del mismo y durante su funcionamiento, sin importar la posición de la perilla de la válvula.




1. Conecte el cable de energía al enchufe con puesta a tierra adecuada de tres (3) clavijas de 120V, 60Hz monofásico.
2. Gire la perilla de la válvula de gas hacia la derecha  a la posición de APAGADO ○.
3. Espere cinco (5) minutos para que se disipe el gas. Después revise si huele a gas; si no huele, vaya al siguiente paso.
4. Gire el abastecimiento de gas a ENCENDIDO dando vuelta a la válvula del tanque hacia la izquierda .
5. Empuje y gire la perilla de control del gas hacia la izquierda  a ENCENDIDO/BAJO. Esto encenderá el piloto. Si es necesario, mantenga presionada la perilla hasta que el piloto se encienda, y en los modelos de chispa piezoeléctrica mantenga presionada la boquilla y girando de APAGADO ○ a ENCENDIDO/BAJO (ENCENDIDO/ALTO: En el caso de serie FA40).
6. Mantenga la perilla de la válvula oprimida al menos por 30 segundos después de encender el piloto. Después de 30 segundos suelte la perilla de la válvula.
7. Si el piloto no se mantiene prendido, repita el procedimiento de encendido.
8. Cuando el piloto esté encendido, gire la perilla de la válvula de gas hacia la izquierda  a la posición deseada. (Todos los modelos, excepto el FA40 serie).

**¡NUNCA DEJE EL CALENTADOR  
DESATENDIDO CUANDO ESTÉ ENCENDIDO!**

# CALENTADOR DE PROPANO PARA CONSTRUCCIÓN



## INSTRUCCIONES DE APAGADO

**⚠️ ADVERTENCIA:** El motor y el abanico deben estar en funcionamiento antes de encender el calentador, durante la operación y también al apagarlo, esto para prevenir que salga alguna flama y cause heridas corporales o daños a la propiedad. Gire la perilla de la válvula de gas hacia la derecha  a la posición de APAGADO . Gire el abastecimiento de gas a APAGADO dando vuelta a la válvula del tanque hacia la derecha  para cerrar. Desconecte el cable de energía una vez que el calentador se ha enfriado a la temperatura ambiente.

## PRUEBA DE INCENDIO DEL CALENTADOR

Haga una prueba de incendio a su calentador para construcción, siguiendo las instrucciones de encendido pertinentes para el sistema de control de gas empleado. Haga la prueba de fuga con solución de jabón a todas las conexiones. Las burbujas de jabón indican fugas de gas. NO utilice cerillos o alguna flama para buscar fugas de gas.

## ALMACENAMIENTO

Nunca almacene el tanque de gas dentro de un edificio o cerca de electrodomésticos a base de gas. Cuando el tanque de gas no esté desconectado del calentador, éstos se deben almacenar en el exterior, en un área bien ventilada, fuera del alcance de los niños. Si por cualquier razón el calentador se almacena en el interior, el tanque de gas debe estar desconectado y se debe almacenar en el exterior, en un área bien ventilada, fuera del alcance de los niños, de acuerdo a las normas ANSI/NPA 58 para el Almacenamiento y Manejo de Gases Licuados del Petróleo y al Código CSA B149.1 de Instalación de Gas Propano y Gas Natural. El tapón plástico de la válvula del tanque que se proporciona con el mismo debe estar colocado con fuerza cuando el tanque esté desconectado del calentador.

## INSTRUCCIONES DE MANTENIMIENTO

1. Apague la unidad, permita que el calentador se enfríe por completo y desconecte la manguera del gas antes de realizar cualquier actividad de mantenimiento. Desconecte la unidad del contacto eléctrico de 120V.
2. Mantenga la unidad limpia y el interior de la caja sin residuos.
3. Solicite que un técnico calificado revise la unidad, al menos una vez al año, de preferencia antes de la temporada de uso.

## PIEZAS DE REPUESTO

Piezas en garantía/Piezas que no están en garantía: comuníquese con los vendedores autorizados de este producto. Si no pueden proporcionarle las piezas de repuesto originales, póngase en contacto con la Central de repuestos más póngase en cercana o con el Departamento de servicio técnico de GHP Group Inc. al 1-877-447-4768.

Cuando llame a GHP Group Inc., tenga preparados:

- Su nombre
- Su dirección
- Una descripción de la manera en que funciona mal el calentador
- Fecha de compra, números de modelo y de serie del calentador
- Número de modelo del calentador
- Número de la pieza de repuesto

**¡NUNCA DEJE EL CALENTADOR  
DESATENDIDO CUANDO ESTÉ ENCENDIDO!**





# CALENTADOR DE PROPANO PARA CONSTRUCCIÓN

## DIAGNÓSTICO Y RESOLUCIÓN DE PROBLEMAS

PROBLEMA	CAUSA POSIBLE	ACCIÓN CORRECTIVA
1. La perilla de control está apagada y la unidad hace chasquidos.	1. Esto es normal. Este calentador utiliza un sistema de encendido continuo. Esta unidad seguirá haciendo un chasquido todo el tiempo antes del encendido, después del mismo y durante su funcionamiento, sin importar la posición de la perilla de la válvula.	1. No se necesitan acciones correctivas.
2. El encendedor hace mientras el calentador esté encendida.	1. Esto es normal. Este calentador utiliza un sistema de encendido continuo. Esta unidad seguirá haciendo un chasquido todo el tiempo antes del encendido, después del mismo y durante su funcionamiento, sin importar la posición de la perilla de la válvula.	1. No se necesitan acciones correctivas.
3. El abanico no gira cuando hay una conexión eléctrica.	<ol style="list-style-type: none"> <li>1. No hay energía eléctrica hacia el calentador.</li> <li>2. Las aspas del abanico tienen contacto dentro de la caja del calentador.</li> <li>3. Una o varias aspas del abanico están dobladas.</li> <li>4. El motor del abanico está defectuoso.</li> </ol>	<ol style="list-style-type: none"> <li>1. Revise la corriente de la salida energía Si el voltaje es correcto, revise si el cable de energía no tiene cortes y si la extensión no tiene cortes o grietas.</li> <li>2. Asegúrese de que la caja no esté dañada. Asegúrese que no haya obstrucciones hacia el abanico.</li> <li>3. Enderece las aspas dobladas para que se igualen al resto.</li> <li>4. Reemplace el motor.</li> </ol>
4. El calentador no despidе calor.	<ol style="list-style-type: none"> <li>1. No hay chispa al encender.</li> <li>2. Separación de contacto inadecuada.</li> <li>3. Electrodo malo.</li> </ol>	<ol style="list-style-type: none"> <li>1. Revise el cable del encendido. Vuélvalo a colocar o apriételo si está flojo. Revise el módulo de chispas. Reemplácelo si es necesario.</li> <li>2. Establezca la distancia (véase las especificaciones para la distancia).</li> <li>3. Reemplace la bujía.</li> </ol>
5. El calentador se apaga mientras está en operación.	<ol style="list-style-type: none"> <li>1. La temperatura interna muy alta provoca que el interruptor de límite detenga la operación.</li> <li>2. La válvula de control está dañada.</li> <li>3. Se acumularon polvo y residuos dentro del calentador.</li> </ol>	<ol style="list-style-type: none"> <li>1. Si las salidas del calentador están restringidas, la temperatura interna aumenta mucho. Aleje el calentador de cualquier obstrucción.</li> <li>2. Reemplace la válvula de control.</li> <li>3. Limpie el interior del calentador.</li> </ol>

**Asegúrese siempre de seguir los procedimientos de mantenimiento adecuados, limpiando el calentador una vez por mes durante su uso regular y revise la separación de los contactos al menos en cada estación.**

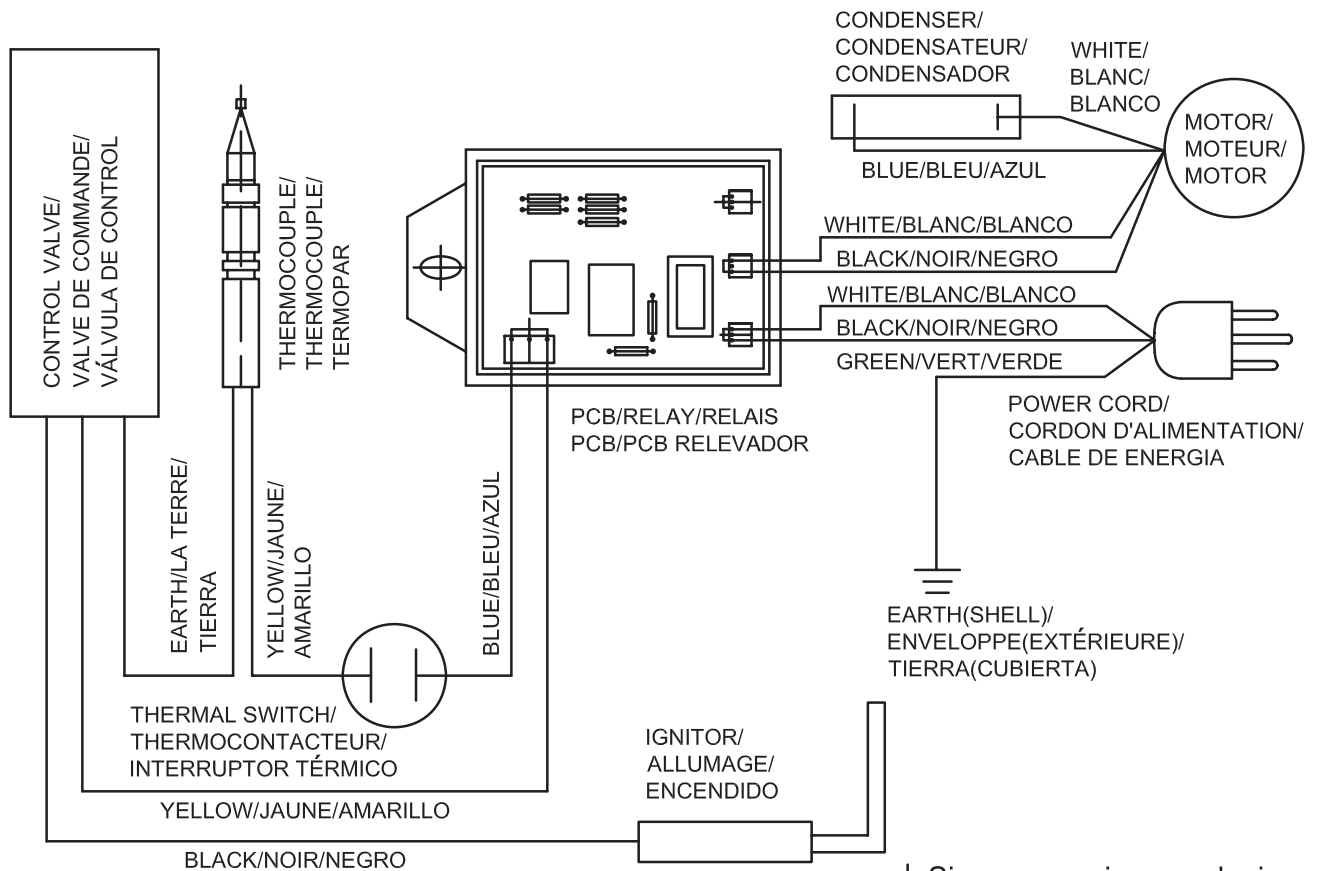
**¡NUNCA DEJE EL CALENTADOR  
DESATENDIDO CUANDO ESTÉ ENCENDIDO!**

# CALENTADOR DE PROPANO PARA CONSTRUCCIÓN



## DIAGRAMAS DE CABLEADO

PIEZO / MANUAL SPARK MODELS  
MODÈLES À ÉTINCELLE PIÉZOÉLECTRIQUE / MANUELLE  
MODELOS DE CHISPA MANUAL O PIEZOELÉCTRICA



If any original wiring supplied with the heater must be replaced, it must be type AWG 105°C wire or its equivalent, except as indicated.

Si vous devez faire remplacer les fils d'origine du radiateur, procurez-vous du fil AWG 105 Celsius ou l'équivalent, sauf indication contraire.

Si se proporciona cualquier cableado con el calentador se debe reemplazar, debe ser cable tipo AWG 105°C o su equivalente, excepto como se indica.

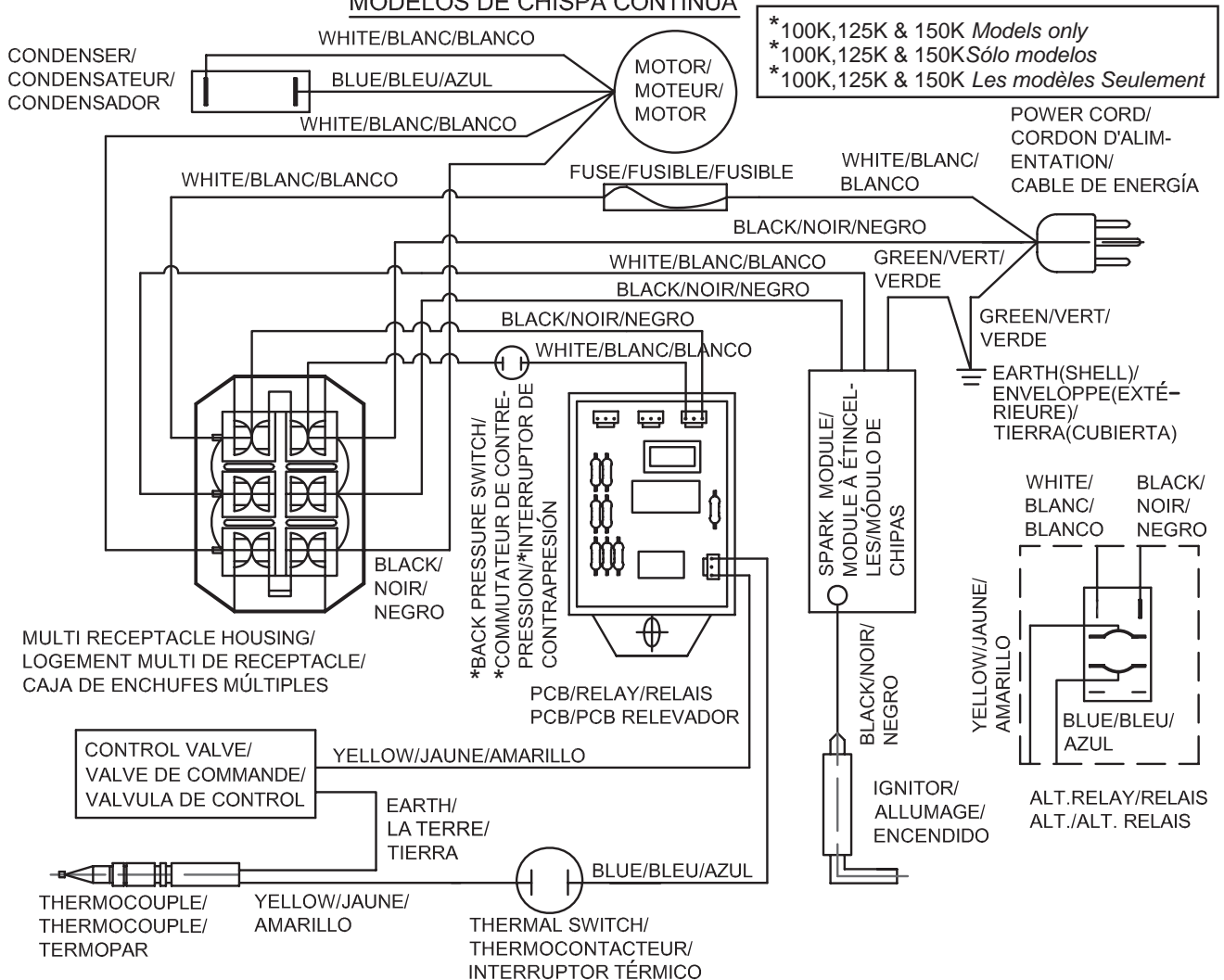
**¡NUNCA DEJE EL CALENTADOR  
DESATENDIDO CUANDO ESTÉ ENCENDIDO!**



# CALENTADOR DE PROPANO PARA CONSTRUCCIÓN

## DIAGRAMAS DE CABLEADO

### CONTINUOUS SPARK MODELS/MODÈLES À ÉTINCELLE CONTINUE MODELOS DE CHISPA CONTINUA



If any original wiring supplied with the heater must be replaced, it must be type AWG 105°C wire or its equivalent, except as indicated.

Si vous devez faire remplacer les fils d'origine du radiateur, procurez-vous du fil AWG 105 Celsius ou l'équivalent, sauf indication contraire.

Si se proporciona cualquier cableado con el calentador se debe reemplazar, debe ser cable tipo AWG 105°C o su equivalente, excepto como se indica.

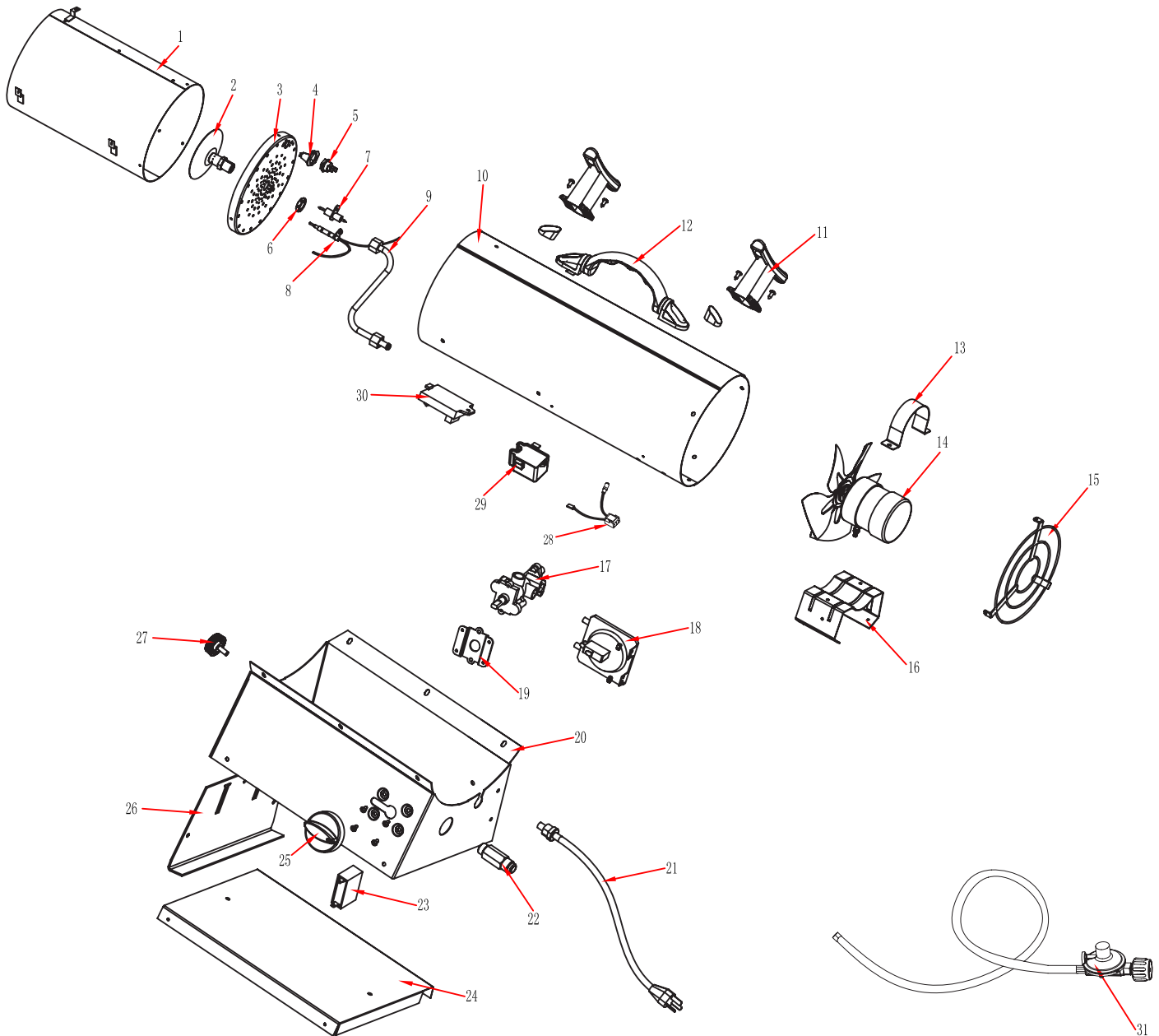
**¡NUNCA DEJE EL CALENTADOR  
DESATENDIDO CUANDO ESTÉ ENCENDIDO!**

# CALENTADOR DE PROPANO PARA CONSTRUCCIÓN



## DESGLOSE ILUSTRADO DE PIEZAS DEL CALENTADOR A GAS PROPANO PARA CONSTRUCCIÓN:

MODELOS: FA40 Serie  
FA50 Serie  
FA60 Serie



¡NUNCA DEJE EL CALENTADOR  
DESATENDIDO CUANDO ESTÉ ENCENDIDO!



# CALENTADOR DE PROPANO PARA CONSTRUCCIÓN

Artículo No.	DESCRIPCIÓN	QTY	NÚMERO DE PIEZA		
			40 SERIES	50 SERIES	60 SERIES
1	CARCASA EN SISTEMA	1	2304818	2304818	2304818
2	BOQUILLA	1	*2304829	*2304942	*2325121
3	CUBIERTA DE LLAMA	1	2304819	2304819	2325120
4	SOPORTE DEL INTERRUPTOR TÉRMICO	1	2304826	2304826	2304826
5	INTERRUPTOR TÉRMICO	1	2201373	2201563	2201599
6	TUERCA DE BOQUILLA	1	2304578	2304578	2304578
7	BUJÍA	1	2201375	2201375	2206033
8	TERMOPAR (1130/1474-425L)	1	2304885	2304885	2304885
9	SISTEMA DE TUBERÍA	1	2304830	2304830	2304830
10	CUBIERTA EXTERIOR - ANARANJADO	1	2305403	2305403	2305403
	CUBIERTA EXTERIOR - NEGRO	1	2315915	2315915	2315915
	CUBIERTA EXTERIOR - GRIS	1	2315956	2315956	2315956
	CUBIERTA EXTERIOR - AZUL	1	2315312	2315312	2315312
11	ENVOLTURA PARA CABLE (algunos modelos solamente)	2	N/A	N/A	N/A
12	SISTEMA DEL MANGO - NEGRO	1	2101447	2101447	2101447
	SISTEMA DEL MANGO - GRIS	1	2305426	2305426	2305426
12.1	TORNILLO - MANGO DELANTERO	1	2001355	2001355	2001355
12.2	TORNILLO - MANGO DELANTERO	1	2001077	2001077	2001077
12.3	TUERCA - HANDLE REAR	1	2000384	2000384	2000384
13	MOTOR DE SOPORTE	1	2304823	2304823	2304823
13.1	MONTAJE DEL MOTOR-PERNOS	2	2001332	2001332	2001332
13.2	MANGA	1	2304949	2304949	2304949
14	SISTEMA DE MOTOR	1	2305909	2305447	2304547
14.1	MOTOR - VENTILADOR	1	2304821	2304821	2304821
15	ABANICO DE SEGURIDAD - NEGRO	1	2304828	2304828	2304828
	ABANICO DE SEGURIDAD - GRIS	1	2305411	2305411	2305411
16	SOPORTE DE MOTOR	1	2304937	2304937	2304937
17	VÁLVULA - GAS	1	GS22 (FA40)	GS22A(FA60)	GS22A(FA60)
18	INTERRUPTOR DE PRESIÓN	1	N/A	N/A	N/A
19	SOPORTE DE LA VÁLVULA	1	2304624	2304624	2304624
20	ENSAMB. DE BASE - NEGRO	1	2304923	2304923	2304923
	ENSAMB. DE BASE - GRIS	1	2305405	2305405	2305405
21	SISTEMA DE CABLE GUÍA MPU	1	2201368	2101670	2101670
22	ENTRADA DEL CONECTOR	1	2304831	2304831	2304831
23	CAPACIDAD	1	2201372	2201372	2201372
24	BASE MÁS BAJA - NEGRO	1	2304925	2304925	2304925
	BASE MÁS BAJA - GRIS	1	2305407	2305407	2305407
25	PERILLA DE LA VÁLVULA DE GAS - NEGRO	1	2101451	2101451	2101451
	PERILLA DE LA VÁLVULA DE GAS - ANARANJADO	1	2305466	2305466	2305466
26	CONTROLADOR DE ALTURA - NEGRO	1	2304927	2304927	2304927
	CONTROLADOR DE ALTURA - GRIS	1	2305409	2305409	2305409
27	TORNILLO DE CONTROL DE ALTURA - NEGRO	1	2304510	2304510	2304510
	TORNILLO DE CONTROL DE ALTURA - ANARANJADO	1	2305467	2305467	2305467
28	SISTEMA DE CABLE GUÍA	1	2201371	2201371	2201371
29	MÓDULO DE CHISPA	1	N/A	2201391	2201391
30	SISTEMA PCB	1	2201369	2201369	2201369
31	CONJUNTO DE REGULADOR & MANGUERA -10pies (3mts)	1	KR-106-01(POL-3000)	KR-106-01(POL-3000)	KR-106-01(POL-3000)
	CONJUNTO DE REGULADOR & MANGUERA -10pies (3mts) con TIMÓN	1	KR-106-01(HW-3000)	KR-106-01(HW-3000)	KR-106-01(HW-3000)
	CONJUNTO DE REGULADOR & MANGUERA(QCC) -10pies (3mts)	1	TYQ-9C-3000	TYQ-10C-3000	TYQ-10C-3000
	CONJUNTO DE REGULADOR & MANGUERA - 15pies (4.6mts)	1	KR-106-01(POL-4600)	KR-106-01(POL-4600)	KR-106-01(POL-4600)
	CONJUNTO DE REGULADOR & MANGUERA - 15pies (4.6mts) con TIMÓN	1	KR-106-01(HW-4600)	KR-106-01(HW-4600)	KR-106-01(HW-4600)
	CONJUNTO DE REGULADOR & MANGUERA(QCC) - 15pies (4.6mts)	1	TYQ-9C-4572	TYQ-10C-4572	TYQ-10C-4572

\* VERSIÓN NO SE MUESTRA EN LA VISTA DETALLADA

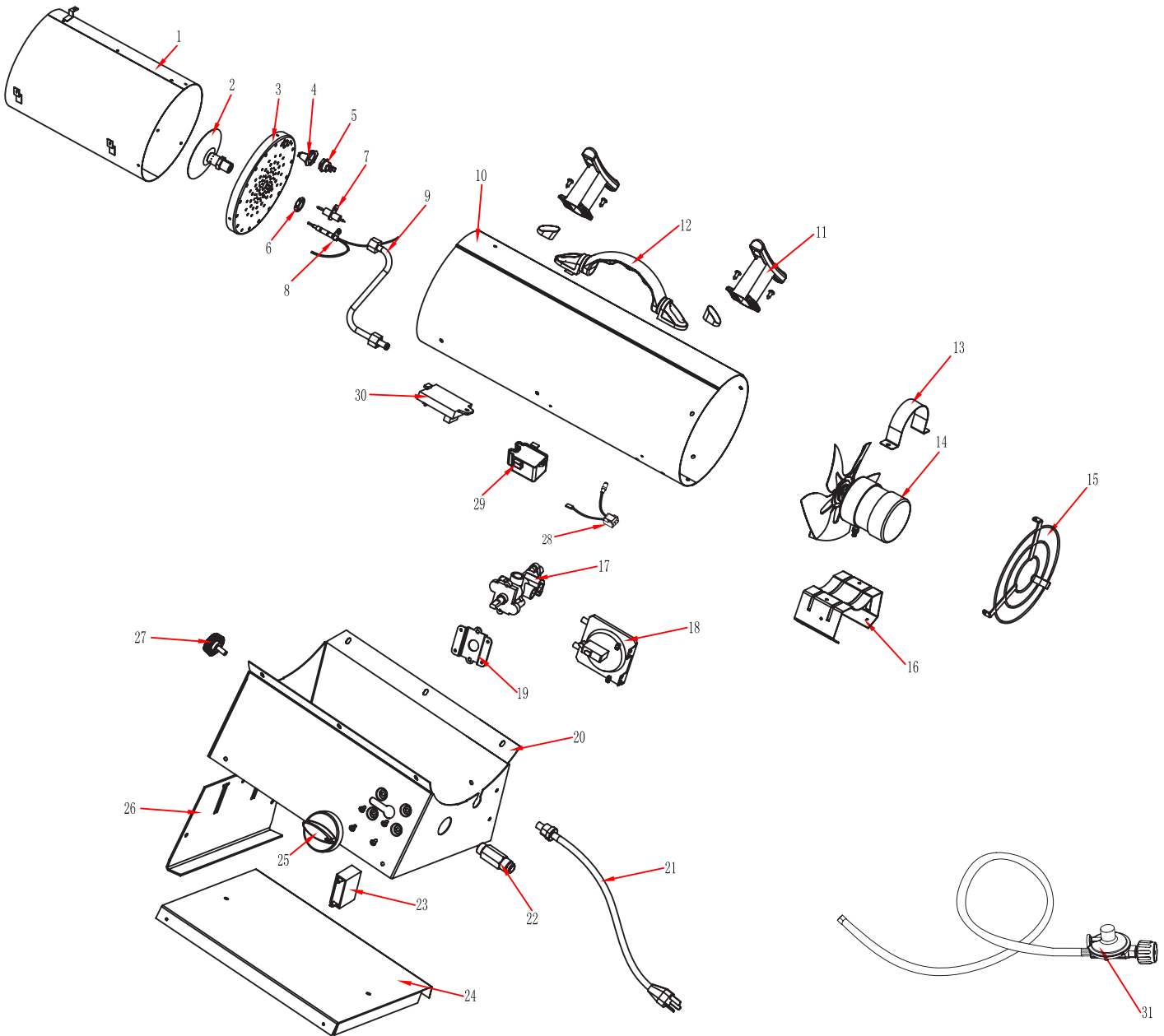
**¡NUNCA DEJE EL CALENTADOR  
DESATENDIDO CUANDO ESTÉ ENCENDIDO!**

# CALENTADOR DE PROPANO PARA CONSTRUCCIÓN



## DESGLOSE ILUSTRADO DE PIEZAS DEL CALENTADOR A GAS PROPANO PARA CONSTRUCCIÓN:

MODELOS: RMC-FA100DGD  
RMC-FA125DGD/LPFA125H  
RMC-FA150DGD



¡NUNCA DEJE EL CALENTADOR  
DESATENDIDO CUANDO ESTÉ ENCENDIDO!



# CALENTADOR DE PROPANO PARA CONSTRUCCIÓN

## LISTA DE PARTES DE REEMPLAZO

Artículo No.	DESCRIPCIÓN	QTY	NÚMERO DE PIEZA		
			100 SERIES	125 SERIES	150 SERIES
1	CARCASA EN SISTEMA	1	2304929	2304929	2304929
2	BOQUILLA	1	*2304943	5030077	2304944
3	CUBIERTA DE PORTA-LLAMA	1	2304930	2325122	2304931
4	SOPORTE DEL INTERRUPTOR TÉRMICO	1	2304826	2315515	2001355
5	INTERRUPTOR TÉRMICO	1	2201373	2201373	2201373
6	TUERCA DE BOQUILLA	1	2304578	2304945	2304945
7	BUJÍA	1	2201392	2206034	2201393
8	TERMOPAR (1130/1474-425L)	1	2304885	2304885	2304885
9	SISTEMA DE TUBERÍA	1	2304946	2325138	2304947
10	CUBIERTA EXTERIOR - ANARANJADO	1	N/A	2305971	N/A
	CUBIERTA EXTERIOR - NEGRO	1	N/A	N/A	N/A
	CUBIERTA EXTERIOR - GRIS	1	2315916	2315916	2315916
	CUBIERTA EXTERIOR - AZUL	1	N/A	N/A	N/A
11	ENVOLTURA PARA CABLE (algunos modelos solamente)	2	2101423	2101423	2101423
12	SISTEMA DEL MANGO - NEGRO	1	2101447	2101447	2101447
	SISTEMA DEL MANGO - GRIS	1	2305426	2305426	2305426
12.1	TORNILLO - MANGO DELANTERO	1	2001355	2001355	2001355
12.2	TORNILLO - MANGO DELANTERO	1	2001077	2001077	2001077
12.3	TUERCA - HANDLE REAR	1	2000384	2000384	2000384
13	MOTOR DE SOPORTE	1	2304823	2304823	2304823
13.1	MONTAJE DEL MOTOR-PERNOS	2	2001332	2001332	2001332
13.2	MANGA	1	2304949	2304949	2304949
14	SISTEMA DE MOTOR	1	2304548	2304548	2304548
14.1	MOTOR - VENTILADOR	1	2304936	2304936	2304936
15	ABANICO DE SEGURIDAD - NEGRO	1	2304939	2304939	2304939
	ABANICO DE SEGURIDAD - GRIS	1	2305412	2305412	2305412
16	SOPORTE DE MOTOR	1	2304938	2304938	2304938
17	VÁLVULA - GAS	1	GS22A(FA125)	GS22A(FA125)	GS22A(FA150)
18	INTERRUPTOR DE PRESIÓN	1	2305976	2305976	2305976
19	SOPORTE DE LA VÁLVULA	1	2304624	2304624	2304624
20	ENSAMB. DE BASE - NEGRO	1	2304924	2304924	2304924
	ENSAMB. DE BASE - GRIS	1	N/A	2403354	N/A
21	SISTEMA DE CABLE GUÍA MPU	1	2101673	2101673	2101673
22	ENTRADA DEL CONECTOR	1	2304831	2304831	2304831
23	CAPACIDAD	1	2301390	2301390	2301390
24	BASE MÁS BAJA - NEGRO	1	2304926	2304926	2304926
	BASE MÁS BAJA - GRIS	1	N/A	2403355	N/A
25	PERILLA DE LA VÁLVULA DE GAS - NEGRO	1	2101451	2101451	2101451
	PERILLA DE LA VÁLVULA DE GAS - ANARANJADO	1	N/A	2305466	N/A
26	CONTROLADOR DE ALTURA - NEGRO	1	2304928	2304928	2304928
	CONTROLADOR DE ALTURA - GRIS	1	N/A	2403356	N/A
27	TORNILLO DE CONTROL DE ALTURA - NEGRO	1	2304510	2304510	2304510
	TORNILLO DE CONTROL DE ALTURA - ANARANJADO	1	N/A	2305467	N/A
28	SISTEMA DE CABLE GUÍA	1	2201371	2201371	2201371
29	MÓDULO DE CHISPA	1	2201391	2201391	2201391
30	SISTEMA PCB	1	2201369	2201369	2201369
31	CONJUNTO DE REGULADOR & MANGUERA - 10pies (3mts)	1	GR-109(POL-3000)	GR-109(POL-3000)	GR-109(POL-3000)
	CONJUNTO DE REGULADOR & MANGUERA - 10pies (3mts) con TIMÓN	1	GR-109(HW-3000)	GR-109(HW-3000)	GR-109(HW-3000)
	CONJUNTO DE REGULADOR & MANGUERA(QCC) - 10pies (3mts)	1	TYQ-6D1-3000	TYQ-6D1-3000	TYQ-6E1-3000
	CONJUNTO DE REGULADOR & MANGUERA - 15pies (4.6mts)	1	GR-109(POL-4600)	GR-109(POL-4600)	GR-109(POL-4600)
	CONJUNTO DE REGULADOR & MANGUERA - 15pies (4.6mts) con TIMÓN	1	GR-109(HW-4600)	GR-109(HW-4600)	GR-109(HW-4600)
	CONJUNTO DE REGULADOR & MANGUERA(QCC) - 15pies (4.6mts)	1	TYQ-6D1-4572	TYQ-6D1-4572	TYQ-6E1-4572

\* VERSIÓN NO SE MUESTRA EN LA VISTA DETALLADA

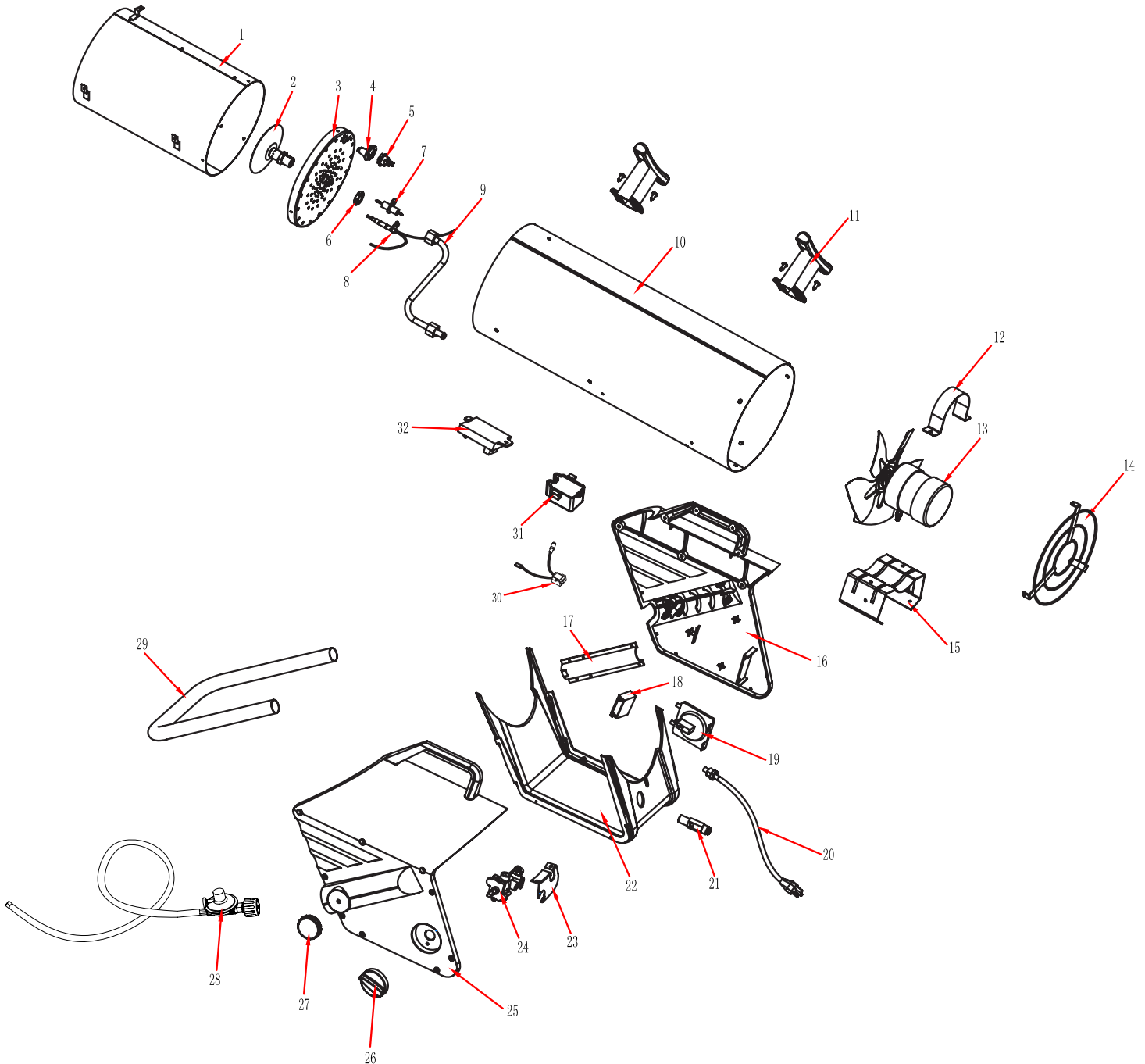
**¡NUNCA DEJE EL CALENTADOR  
DESATENDIDO CUANDO ESTÉ ENCENDIDO!**

# CALENTADOR DE PROPANO PARA CONSTRUCCIÓN



## DESGLOSE ILUSTRADO DE PIEZAS DEL CALENTADOR A GAS PROPANO PARA CONSTRUCCIÓN:

MODELOS: RMC-FA100/DGP/DGP-01  
RMC-FA125/DGP/DGP-01  
LPFA125DGD



¡NUNCA DEJE EL CALENTADOR  
DESATENDIDO CUANDO ESTÉ ENCENDIDO!





# CALENTADOR DE PROPANO PARA CONSTRUCCIÓN

Artículo No.	DESCRIPCIÓN	QTY	NÚMERO DE PIEZA		
			FA100DGP	FA125DGP	LPFA125DGD
1	CARCASA EN SISTEMA	1	2304929	2304929	2304929
2	BOQUILLA	1	*2304943	5030077	5030077
3	CUBIERTA DE LLAMA	1	2304930	2325122	2325122
4	SOPORTE DEL INTERRUPTOR TÉRMICO	1	2304826	2315515	2315515
5	INTERRUPTOR TÉRMICO	1	2201373	2201373	2201373
6	TUERCA DE BOQUILLA	1	2304578	2304945	2304945
7	BUJÍA SISTEMA	1	2201392	2206034	2206034
8	TERMOPAR (1130/1474-425L)	1	2304885	2304885	2304885
9	SISTEMA DE TUBERÍA	1	2305975	2325137	2325137
10	CUBIERTA EXTERIOR - ANARANJADO	1	2305971	2305971	N/A
	CUBIERTA EXTERIOR - NEGRO	1	N/A	N/A	2403443
11	ENVOLTURA PARA CABLE	2	2101423	2101423	2101423
12	MOTOR DE SOPORTE	1	2304823	2304823	2304823
12.1	MONTAJE DEL MOTOR-PERNOS	2	2001332	2001332	2001332
12.2	MANGA	1	2304949	2304949	2304949
13	SISTEMA DE MOTOR	1	2304548	2304548	2304548
13.1	MOTOR - VENTILADOR	1	2304936	2304936	2304936
14	ABANICO DE SEGURIDAD - GRIS	1	2305412	2305412	N/A
	ABANICO DE SEGURIDAD - NEGRO	1	N/A	N/A	2304939
15	SOPORTE DE MOTOR	1	2304938	2304938	2304938
16	LADO DERECHO DE LA BASE	1	2306000	2306000	2306000
17	SOPORTE DE LA PATA	2	2315002	2315002	2315002
18	CAPACIDAD	1	2301390	2301390	2301390
19	INTERRUPTOR DE PRESIÓN	1	2305976	2305976	2305976
20	SISTEMA DE CABLE GUÍA MPU	1	2101673	2101673	2101673
21	ENTRADA DEL CONECTOR	1	2304831	2304831	2304831
22	FONDO DE LA BASE	1	2315001	2315001	2315001
23	SOPORTE DE LA VÁLVULA	1	2305973	2305973	2305973
24	VÁLVULA - GAS	1	GS22A(FA125)	GS22A(FA125)	GS22A(FA125)
25	LADO IZQUIERDO DE LA BASE	1	2305999	2305999	2305999
26	PERILLA DE LA VÁLVULA DE GAS - ANARANJADO	1	2101588	2101588	N/A
	PERILLA DE LA VÁLVULA DE GAS - NEGRO	1	N/A	N/A	2101451
27	TORNILLO DE CONTROL DE ALTURA - ANARANJADO	2	2315003	2315003	N/A
	TORNILLO DE CONTROL DE ALTURA - NEGRO	2	NA	NA	2403444
28	CONJUNTO DE REGULADOR & MANGUERA - 10pies (3mts)	1	GR-109(POL-3000)	GR-109(POL-3000)	GR-109(POL-3000)
	CONJUNTO DE REGULADOR & MANGUERA(QCC) - 10pies (3mts)	1	N/A	N/A	TYQ-6D1-3000
	CONJUNTO DE REGULADOR & MANGUERA - 15pies (4.6mts)	1	GR-109(POL-4600)	GR-109(POL-4600)	GR-109(POL-4600)
	CONJUNTO DE REGULADOR & MANGUERA(QCC) - 15pies (4.6mts)	1	N/A	N/A	TYQ-6D1-4572
29	PATA	1	2305972	2305972	2305972
30	SISTEMA DE CABLE GUÍA	1	2201371	2201371	2201371
31	MÓDULO DE CHISPA	1	2201391	2201391	2201391
32	SISTEMA PCB	1	2201369	2201369	2201369

\* VERSIÓN NO SE MUESTRA EN LA VISTA DETALLADA

**¡NUNCA DEJE EL CALENTADOR  
DESATENDIDO CUANDO ESTÉ ENCENDIDO!**

# GARANTÍA

## GARANTÍA LIMITADA:

Esta garantía limitada es extendida al comprador original al detalle de este Calentador de Aire Forcado/ Convección/ Radiante y garantía contra cualquier defecto en materiales y funcionamiento por un período de un (1) año desde la fecha de venta al detalle. GHP Group, Inc., como su opción, proporcionará ya sea el reemplazo de partes o la reparación de la unidad, cuando ésta sea propiamente devuelta al minorista al que le fue comprado o a uno de nuestros centros de servicio como lo indica GHP Group, Inc., por un período de un (1) año siguiente a la fecha de compra al detalle. (Los costos de envío, mano de obra, etc. son responsabilidad del comprador.)

## DEBERES DEL PROPIETARIO

Este aparato de calefacción debe ser operado de acuerdo a las instrucciones escritas proporcionadas con este calentador. Esta garantía no debe ser excusa para el dueño para mantener apropiadamente este calentador acorde con las instrucciones escritas proporcionadas con el mismo. El registro de un recibo de venta, un cheque o pago cancelado debe existir para verificar la fecha de compra y establecer el período de garantía. Debe mantener la caja original en caso de retorno de la unidad por medio de la garantía.

## LO QUE NO ESTA CUBIERTO:

1. Daño que resulte del uso de combustible inapropiado
2. Daño causado por mal uso o uso contrario a lo especificado en el manual del usuario y los lineamientos de seguridad.
3. Daño causado por la falta de mantenimiento normal
4. Fusibles
5. Uso de partes o accesorios no estándares.
6. Daño causado en tránsito. Los gastos de transporte en las partes o calentadores cubiertos por la garantía hacia y desde la fábrica serán responsabilidad del propietario.

Esta garantía no implica ni asume ninguna responsabilidad de daños consecuentes que puedan resultar del uso, uso erróneo o de la falta de mantenimiento de rutina de este aparato de calefacción. Se cobrará una cuota de limpieza y el costo de partes por las fallas del aparato que resulten de la falta de mantenimiento. Esta garantía no cubre reclamos que no implican trabajo de mano de obra defectuosa o materiales. **EL INCUMPLIMIENTO EN REALIZAR MANTENIMIENTO GENERAL (INCLUYENDO LIMPIEZA) HARÁ INVÁLIDA ESTA GARANTÍA.**

ESTA GARANTÍA LIMITADA ES PROPORCIONADA AL COMPRADOR EN LUGAR DE TODAS LAS OTRAS GARANTÍAS, EXPRESADAS Ó IMPLÍCITAS, INCLUYENDO PERO NO LIMITADAS A LAS GARANTÍAS DE PROMOCIÓN DE SALUD PARA UN PROPÓSITO PARTICULAR. LA REPARACIÓN PROPORCIONADA EN ESTA GARANTÍA ES EXCLUSIVA Y ESTÁ GARANTIZADA EN LUGAR DE OTRAS REPARACIONES. BAJO NINGUNA CIRCUNSTANCIA GHP GROUP, INC. SERÁ RESPONSABLE POR DAÑOS INCIDENTALES O CONSECUENTES.

Algunos estados no permiten limitaciones en cuanto tiempo dura una garantía implícita, por lo tanto la siguiente limitación podría no aplicar para usted. Algunos estados no permiten la exclusión o limitación de daños consecuentes o incidentales, por lo tanto la siguiente limitación o exclusión podría no aplicar para usted.

## LOS RECLAMOS SE MANEJARÁN COMO SIGUE:

1. Contacte a su vendedor al detalle y explíquelo el problema.
2. Si el vendedor no puede resolver el problema, contacte a nuestro Departamento de Garantía al Consumidor detallando el modelo de calentador, el problema y prueba de la fecha de compra
3. Un representante lo contactará. **NO DEVUELVA EL CALENTADOR A GHP GROUP, INC.** a menos que se lo indique nuestro Representante. Esta garantía le proporciona derechos legales específicos y usted puede tener también otros derechos, los cuales varían de estado en estado.

PARA REGISTRAR LA GARANTÍA DE SU CALENTADOR, POR FAVOR LLENE COMPLETAMENTE ESTA TARJETA Y ENVÍELA DENTRO DE LOS SIGUIENTES 14 DÍAS A LA FECHA DE COMPRA O REGÍSTRELA POR INTERNET EN [www.ghpgroupinc.com](http://www.ghpgroupinc.com).

NOMBRE: \_\_\_\_\_ TELÉFONO: ( ) \_\_\_\_\_ CORREO ELECTRÓNICO: \_\_\_\_\_  
DIRECCIÓN: \_\_\_\_\_ CIUDAD: \_\_\_\_\_ ESTADO: \_\_\_\_\_ CÓDIGO POSTAL: \_\_\_\_\_  
MODELO: \_\_\_\_\_ # DE SERIE: \_\_\_\_\_ FECHA DE COMPRA: \_\_\_\_\_  
VENDEDOR AL QUE SE LO COMPRO: \_\_\_\_\_ TIPO DE TIENDA: \_\_\_\_\_  
CIUDAD & ESTADO DONDE FUE COMPRADO: \_\_\_\_\_ PRECIO QUE PAGÓ: \_\_\_\_\_

Por favor tome un minuto para proporcionarnos su respuesta A Las Sigüientes Preguntas:

¿Quién decidió primordialmente sobre esta compra?  Masculino  Femenino  18-24  25-39  40-59  60 en adelante  
¿Propósito de Compra? \_\_\_\_\_

¿Tiene usted algún otro calentador portátil?  Sí  No  Si Sí, escríbalo \_\_\_\_\_ Marca \_\_\_\_\_

¿Cómo pretende usar su nuevo calentador?  En un lugar de Construcción  Granja  Bodega/Comercial  
 Estacionamiento/Fuera del Edificio  Otro

¿Cómo se enteró de este calentador?  Por exposición en la tienda  Anuncio de Periódico  Anuncio de Revista  Amigo/Familiar  
 Comercial de Televisión  Vendedor de la Tienda  Otro \_\_\_\_\_

¿Qué lo hizo seleccionar este calentador?  Estilo  Tamaño/Transportabilidad  Precio  Paquete  Marca  Otro \_\_\_\_\_

Usted:  Tiene casa Propia  Renta ¿Recomendaría usted este calentador a un amigo?  Si  No

Por favor díganos sus comentarios: \_\_\_\_\_

¡GRACIAS POR COMPLETAR ESTE FORMULARIO!  
La Información será mantenida de manera confidencial.

## REGISTRO DE GARANTÍA

**IMPORTANTE:** Lo invitamos a completar nuestro formulario de registro de garantía dentro de los siguientes 14 días a la fecha de compra. Usted también puede registrar su garantía en el internet en [www.ghpgroupinc.com](http://www.ghpgroupinc.com). Complete el número de serie. Conserve esta parte de la tarjeta como su comprobante.



**GHP Group, Inc.**  
6440 W Howard St  
Niles, IL 60714-3302

Tel: (877) 447-4768  
[www.ghpgroupinc.com](http://www.ghpgroupinc.com)

**¡GUARDE ESTA TARJETA!**

Ponga una  
Estampa Postal  
Aquí

**GHP Group, Inc.**  
6440 W Howard St  
Niles, IL 60714-3302