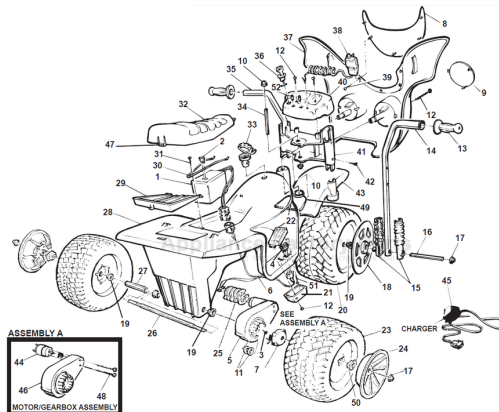


This Owner's Manual is provided and hosted by [Appliance Factory Parts](#).



FISHER PRICE 78544-9563 Owner's Manual

[Shop genuine replacement parts for FISHER PRICE
78544-9563](#)



[Find Your FISHER PRICE Ride On Parts - Select From 999 Models](#)

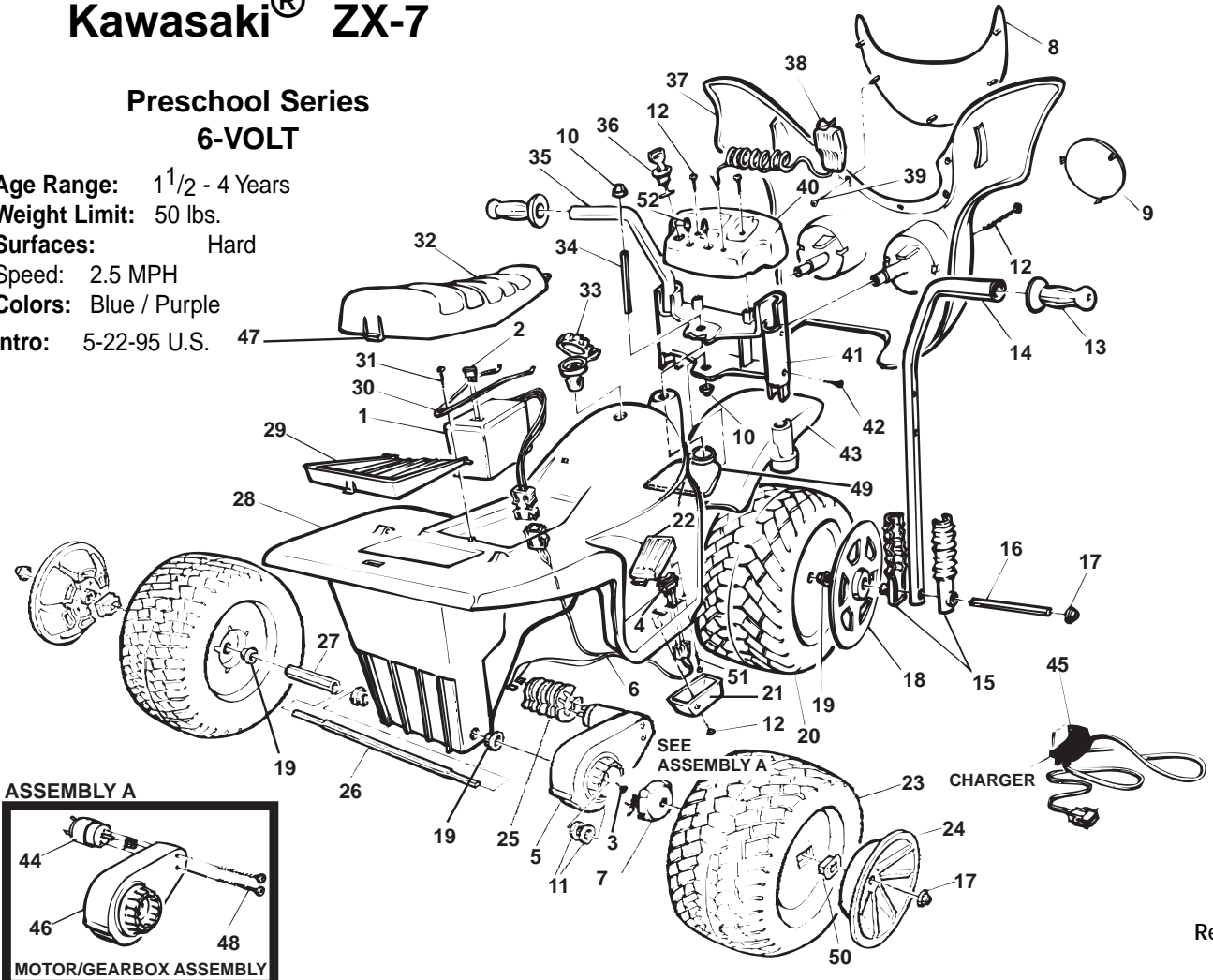
----- Manual continues below -----

78541-9563 Europe
 78543-9563 Canada / Mexico
 78544-9563 Australia

Kawasaki® ZX-7

Preschool Series 6-VOLT

Age Range: 1½ - 4 Years
 Weight Limit: 50 lbs.
 Surfaces: Hard
 Speed: 2.5 MPH
 Colors: Blue / Purple
 Intro: 5-22-95 U.S.



Rev. 08/12/03

Item No.	Description	Part No.	Qty.	Item No.	Description	Part No.	Qty.	Item No.	Description	Part No.	Qty.
1	Battery	00801-1234	1	23	Rear Wheel N/A	74510-2469	2	47	Lock Fastener	78570-2439	1
2	25 amp Fuse	0801-0151	1	24	Rear Hubcap N/A	78542-2589	2	48	Motor Bolt N/A	0801-0198	2
3	Wheel Driver Screw	0801-0255	1	25	Motor Cover	74750-2359	1	49	Flex Plate N/A	74510-2159	1
4	Foot Switch before 5-30-97) *75527-2709 1 (on or after 5-30-97) *0801-0538 1			26	Rear Axle	74510-4549	1	50	Rectangular Wheel Bushing	77410-2679	2
5	Motor/Gearbox Assembly	74780-9509	1	27	Axle Spacer Tube N/A	74510-4449	1	51	1" Screw N/A	0801-0273	1
6	Wiring Harness N/A	77410-9799	1	28	Body N/A	78410-2109	1	52	Radio Knobs	74510-2149	2
7	Driver N/A	77410-2239	1	29	Trunk Lid N/A	78410-2329	1	53	6 Volt Charger - Europe N/A	0801-0241	1
8	Windshield N/A	74510-2179	1	30	Battery Retainer	74510-4439	1		6 Volt Charger - Cana / Mex	00801-0975	1
9	Lens Cover Set	74510-915A	1	31	7/8" Screw	0801-0228	1		6 Volt Charger - Australia	0801-0238	1
10	.354 Retainer w/Body	0801-0604	2	32	Seat N/A	78410-2309	1	PARTS NOT SHOWN			
11	7/16" Washer	0801-0196	2	33	Gas Cap N/A	74780-2049	1	#6 - 20 x 1" Screw for Swivel Bracket	0801-0254	1	
12	1 1/2" Screw	0801-0308	5	34	Pivot Pin N/A	74510-4429	1	1 1/4" Screw for Flex Plat N/A	0801-0216	2	
13	Handgrip	73560-2129	2	35	Left Handlebar N/A	74510-4239	1	Handlebar Plugs N/A	74510-2169	2	
14	Right Handlebar	74510-421A	1	36	Key Housing N/A	74550-2439	1	Large Parts Bag N/A	78549-9249	1	
15	Shock Set N/A	78542-2089	1	37	Fairing N/A	78410-2729	1	Small Parts Bag N/A	78410-9259	1	
16	Front Axle	74510-4519	1	38	Microphone	74550-9479	1	Literature Bag N/A	78549-0300	1	
17	.437 Retainer w/Body	0801-0226	4	39	3/8" Screw N/A	0801-0219	2	Adhesive Harness Clip	0801-0313	1	
18	Front Hubcap	78542-2579	2	40	Dash N/A	78542-2699	1	Main Decal Sheet N/A	78410-0330	1	
19	Wheel Spacer N/A	74550-2689	5	41	Swivel Bracket N/A	74510-2129	1	Paper Decal Sheet N/A	78410-0320	1	
20	Front Wheel N/A	74510-2459	1	42	3/4" Screw	0801-0223	4	Headlight Decal Sheet N/A	78410-0300	1	
21	Footboard Cover N/A	77410-2159	1	43	Fender N/A	78410-2249	1				
22	Foot Pedl w/Spring Clip N/A 78560-9159 1			44	Motor w/ Pinion	74590-9539	1				
				46	Gearbox	74580-9269	1				

N/A = Not Available * See service bulletin 157

Bold and Underlined parts are to be purchased and installed by Service Centers only. These items may not be sold directly to consumers by Service Centers or Fisher-Price.

