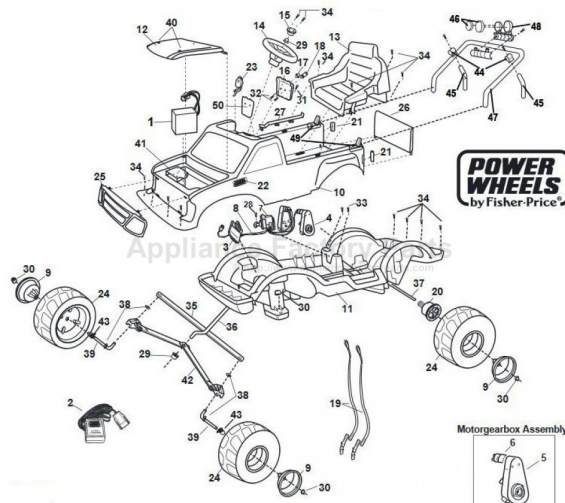


This Owner's Manual is provided and hosted by [Appliance Factory Parts](#).



FISHER PRICE 78457-9993 Owner's Manual

[Shop genuine replacement parts for FISHER PRICE
78457-9993](#)



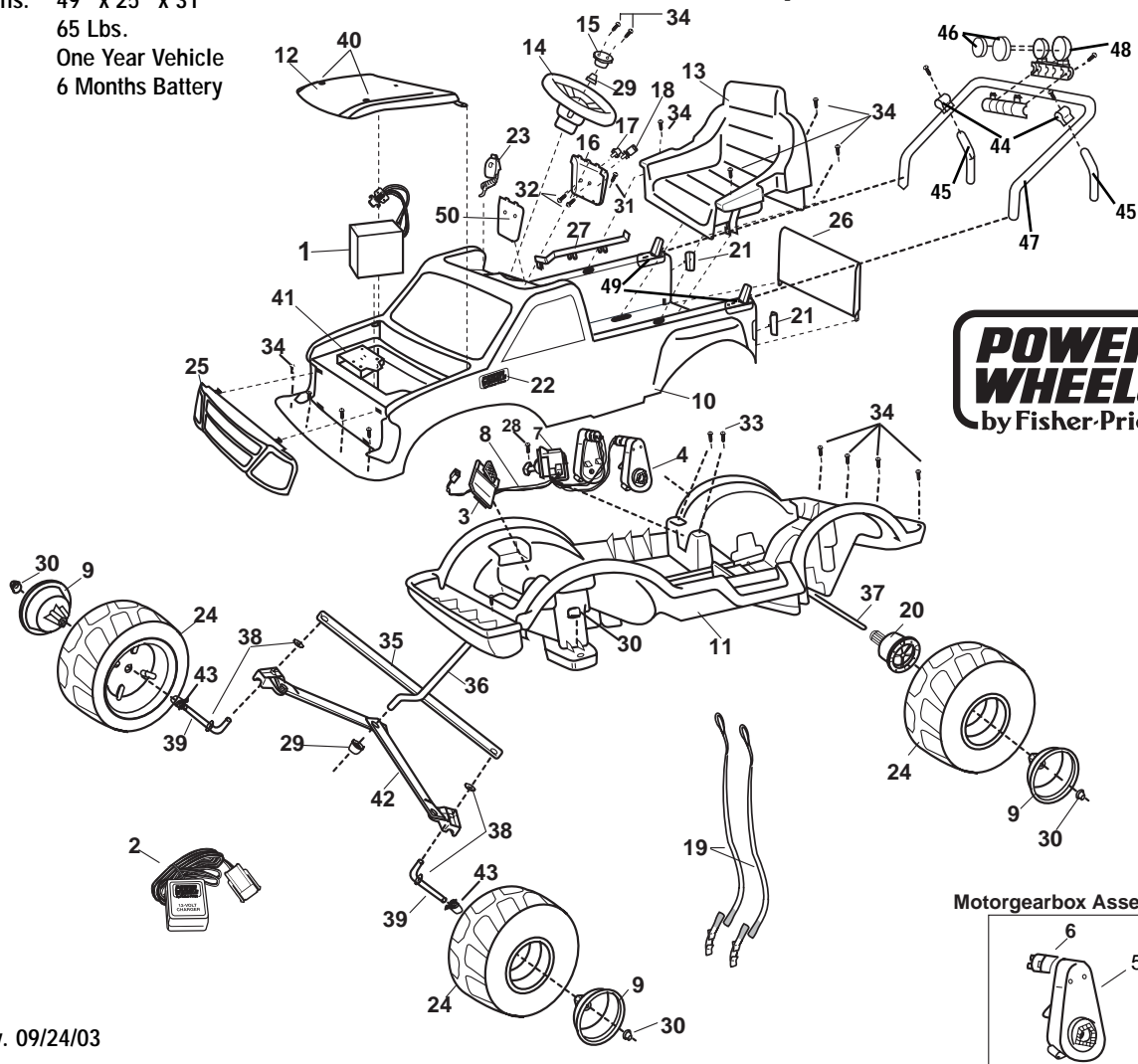
[Find Your FISHER PRICE Ride On Parts - Select From 999 Models](#)

----- Manual continues below -----

Age Range: 3-6 Yrs.
 Weight Limit: 65 Lbs.
 Surfaces: Hard, Grass & Asphalt
 Speed: 3.5 MPH Forward & Reverse
 Colors: Green Body
 Tan Trim
 Intro: 12-11-00
 Suggested Retail: \$139.99
 Box Dimensions: 49" x 25" x 31"
 65 Lbs.
 Warranty: One Year Vehicle
 6 Months Battery

78457-9993 Ford Adventure

Preschool Series
 Super 6 Volt



Rev. 09/24/03

Item No.	Description	Part No.	Qty.	Item No.	Description	Part No.	Qty.	Item No.	Description	Part No.	Qty.
Working / Electrical Parts				21	Taillight Lens Set	74420-2059	1	42	Steering Linkage N/A	74420-4289	1
1	6 Volt Battery	00801-0712	1	22	PW Emblem	74460-9069	2	43	Round Bushing	74550-2689	2
2	Super 6 Volt Charger	00801-0974	1	23	Microphone N/A	78457-9619	1	44	Sports Bar Bracket set	73233-2179	1
3	Footboard Assembly	78457-9829	1	24	Wheel	74420-2459	4	45	Sports Bar Support Tube	74420-2229	2
4	#3B Gearbox w/Motor	74180-9519	2	25	Grill	78457-214A	1	46	KC™ Light Cover	78457-2169	1
5	#3B Gearbox w/Out Motor	74550-9279	2	26	Tailgate	78457-213A	1	47	Rollbar	78457-4229	1
6	Motor w/Pinion	74580-9539	2	27	Channel Cover N/A	78457-2039	1	48	KC™ Lights	78457-9349	1
7	Shifter Assy.	78457-9439	1	Hardware				49	Sports Bar Foot Set	78640-2179	1
8	Wire Harness Assm w/shifter	78474-9889	1	28	1" High Speed Lock Out Screw	0801-0254	1	50	Sound box	78457-9449	1
Plastic Parts / Other				29	.354 Cap Nut	0801-0604	2	Parts Not Shown			
9	Hubcap	78457-2079	4	30	.437 Cap Nut	0801-0226	6	Main Decal	78457-0310	1	
10	Vehicle Body (N/A)	75548-210A	1	31	#6 x 1/2" Screw	0801-0222	2	Literature Bag N/A	75548-9019	1	
11	Tub (N/A)	74240-2119	1	32	#6 x 3/8" Screw N/A	0801-0219	2	Large Parts Bag (Molded Parts)	78457-9039	1	
12	Hood	78457-212A	1	33	#8 x 7/8" Trusshead Screw	0801-0228	2	Parts Bag with Charger N/A	78457-9139	1	
13	Seat	78457-2319	1	34	#8 x 1" Screw (Black)	0801-0224	16	Owner's Manual	78457-0920	1	
14	Steering Wheel	74440-2379	1	35	Crossbar N/A	74420-4259	1	Hardware Bag	78457-9269	1	
15	Steering Wheel Button (Blk)	74550-2729	1	36	Steering Column	74420-4239	1	Switch singlux (shifter rocker type)	00801-0923	1	
16	Soundbox Cover	78457-2099	1	37	Rear Axle	74420-4519	1	Footswitch (plunger type)	00801-0933	1	
17	Dash Knob	78457-2089	1	38	7/16" Washer	0801-0196	4	Harness Assem	78474-9889	1	
18	Key	78457-2049	1	39	Front Axle	74420-4509	2				
19	Seatbelt Set (2 pcs.)	75547-5519	1	40	J Lock Fastener	78570-2439	2				
20	J-Driver	74440-2229	2	41	Battery Retainer	74420-4019	1				

N/A = Not Available **Bold and Underlined parts are to be purchased and installed by Service Centers only. These items may not be sold directly to consumers by Service Centers or Fisher-Price.**