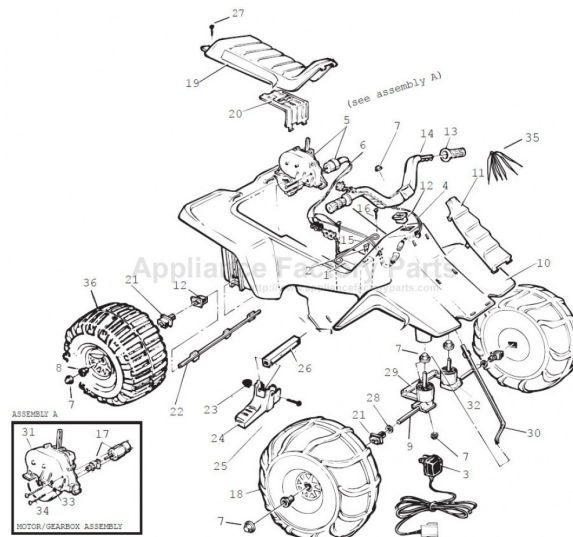


This Owner's Manual is provided and hosted by Appliance Factory Parts.



FISHER PRICE 76980-9993 Owner's Manual

[Shop genuine replacement parts for FISHER PRICE
76980-9993](#)



[Find Your FISHER PRICE Ride On Parts - Select From 999 Models](#)

----- Manual continues below -----

Age Range: 1-3 Yrs.
 Weight Limit: 40 Lbs.
 Surfaces: Hard & Grass
 Speed: 1 MPH
 Colors: White Body
 Pink Seat
 Purple Tires

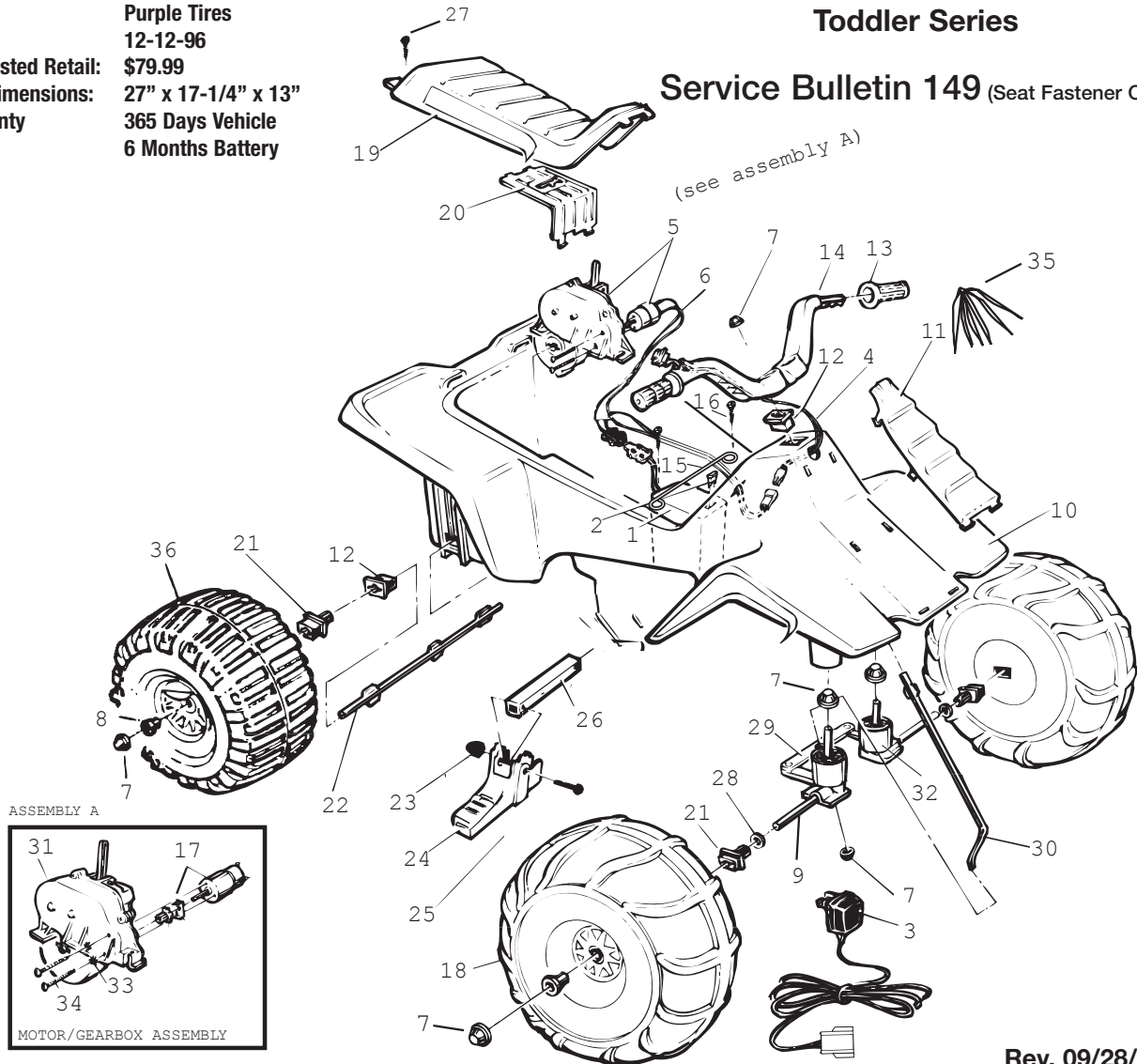
Intro: 12-12-96
 Suggested Retail: \$79.99
 Box Dimensions: 27" x 17-1/4" x 13"
 Warranty: 365 Days Vehicle
 6 Months Battery



76980-9993 Barbie™ Songbird

TRU Exclusive
Toddler Series

Service Bulletin 149 (Seat Fastener Change)



Rev. 09/28/06

Item #	Description	Part #	Qty.	Item #	Description	Part #	Qty.	Item #	Description	Part #	Qty.
1	Battery 6 Volt/4Amp	0801-0336	1	16	#8 x 7/8" Trusshead Screw	0801-0228	2	30	Steering Column	76940-4239	1
2	25 Amp Fuse	0801-0151	1	17	Motor w/Pinion N/A	72629-9539	1	31	Gearbox w/Out Motor	72629-9259	1
3	6 Volt / 4 Amp Charger	00801-0976	1	18	Front Wheel	76980-2459	2	32	Front Post Bushing	76980-2129	2
4	Switch Assembly	78560-2799	1	19	*Seat (original N/A)	76980-2309	1	33	Star Washer N/A	0801-0330	2
5	#5 Motor Gearbox Assy	74504-9519	1	20	Motor Cover	73560-9489	1	34	Motor Bolt N/A	0801-0269	2
6	Main Harness	73560-9799	1	21	Bushing w/Long Extension	78560-2659	4	35	Handlebar Streamers	73680-2129	2
7	** .354 Cap Nut (White)	0801-0251	8	22	Rear Axle	74504-4539	1	36	Rear Wheel	76980-2469	2
8	Round Bushing	78560-2679	4	23	Acorn Nut N/A	0801-0218	2	PARTS NOT SHOWN			
9	Front Axle	74504-4509	2	24	Footpeg N/A	76980-2169	2		Label Sheet	76980-0310	1
10	Body (N/A)	76940-2109	1	25	1-1/4" Shoulder Bolt	0801-0304	2		Large Parts Bag N/A	76980-9249	1
11	Grille N/A	76940-2149	1	26	Footpeg Support	76940-2179	1		Small Parts Bag	76940-9259	1
12	Bushing w/out Extension	74504-2549	3	27	#10 x 1/2" bolt N/A	*0801-0271	1		Literature Bag N/A	76980-9019	1
13	Handgrip	76980-2159	2	28	5/16" Washer	0801-0253	4		Owner's Manual N/A	76980-0920	1
14	Handlebar	76980-2139	1	29	Steering Linkage	74504-4219	1		Foam Battery Pocket	73560-0401	1
15	Battery Retainer	74504-4429	1								

* See Service Bulletin 149

** Use cap nut 0801-0548 when 0801-0251 is gone. **Bold and Underlined parts are to be purchased and installed by Service Centers only. These items may not be sold directly to consumers by Service Centers or Fisher-Price.**

N/A = Not Available