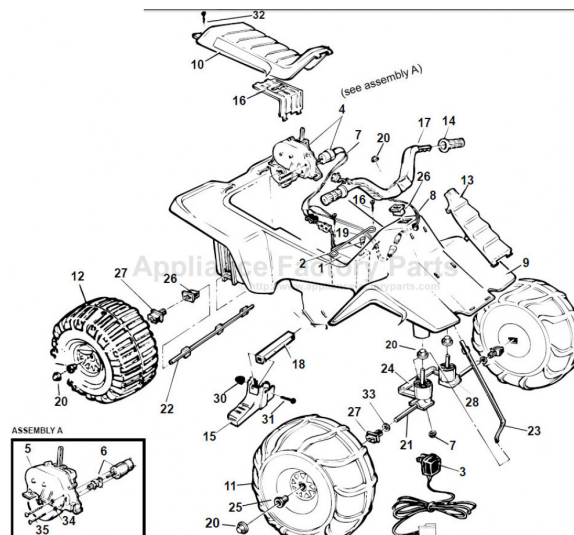


This Owner's Manual is provided and hosted by [Appliance Factory Parts](#).



FISHER PRICE 76937-9993 Owner's Manual

[Shop genuine replacement parts for FISHER PRICE
76937-9993](#)



[Find Your FISHER PRICE Ride On Parts - Select From 999 Models](#)

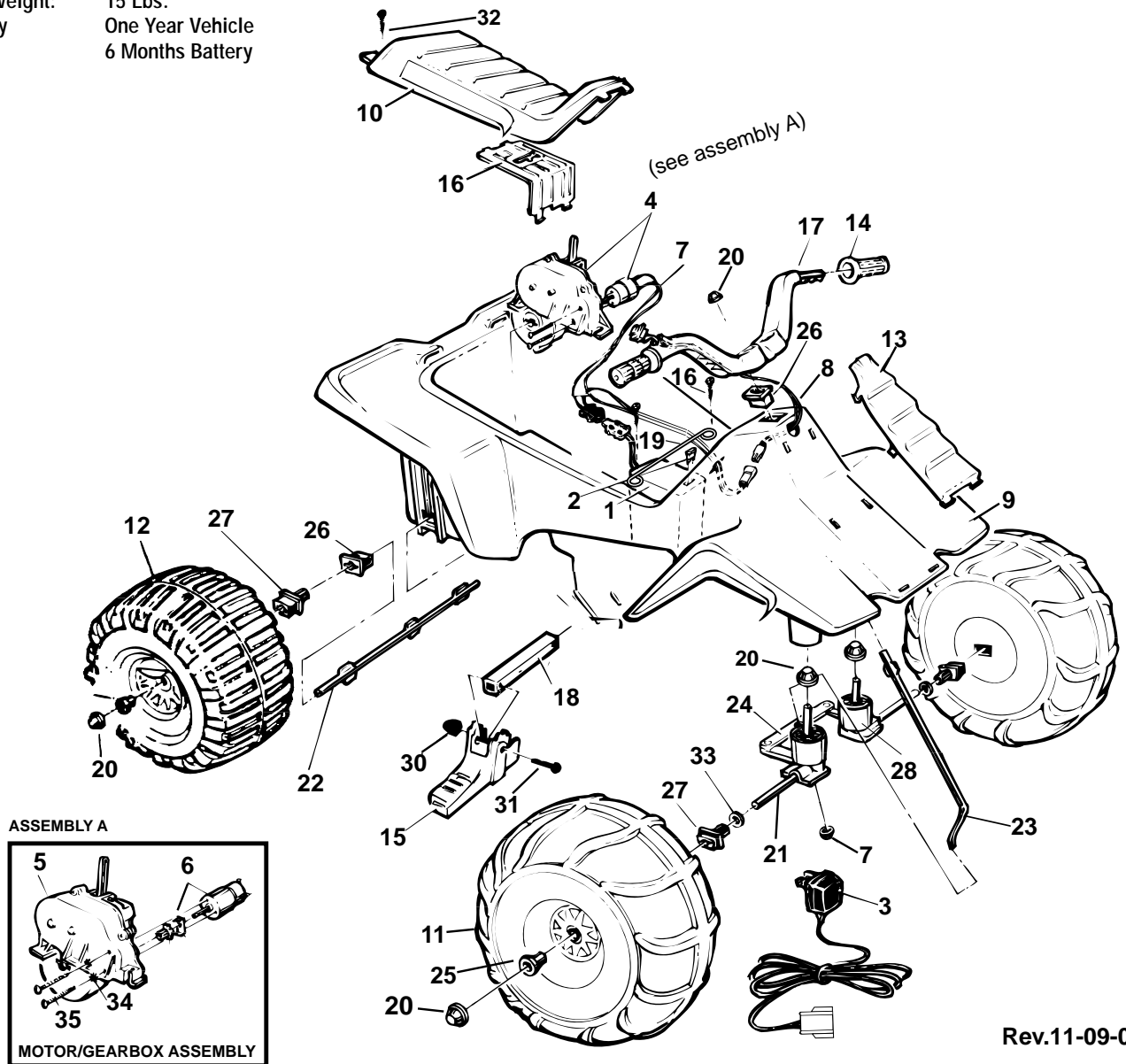
----- Manual continues below -----

Age Range: 1-3 Yrs.
 Weight Limit: 40 Lbs.
 Surfaces: Hard & Grass
 Speed: 1 MPH
 Colors: Yellow Body with Dark Blue Seat
 Intro: 6-3-99
 Suggested Retail: Free w/purchase of another PW product
 Box Dimensions: 27" 17.25" x 13.125"
 In Box Weight: 15 Lbs.
 Warranty: One Year Vehicle
 6 Months Battery

76937-9993

Lil Kawasaki Premium

Toddler Series
 6 Volt / 4 Amp Hr.



Rev.11-09-01 Pav

Item No.	Description	Part No.	Qty.	Item No.	Description	Part No.	Qty.	Item No.	Description	Part No.	Qty.
Working / Electrical Parts				17	Handlebar	76990-2139A	1	34	Star Washer	0801-0330	2
1	Battery 6 Volt / 4 Amp	0801-0336	1	18	Footpeg Support Tube	76940-2179	1	35	Motor Bolt	0801-0269	2
2	25 Amp Fuse	0801-0151	1	Hardware / Metal Parts				Parts Not Shown			
3	6 Volt / 4 Amp Charger	0801-0247	1	19	Battery Retainer	74504-4419	1		Large Parts Bag	76990-9249	1
4	#5 Motor Gearbox Assembly	74504-9519	1	20	.354 Cap Nut	0801-0548	4		Small Parts Bag	76990-9259	1
5	Gearbox W/out Motor	72629-9259	1	21	Front Axle	74504-4509	2		Hardware Bag	76937-9259A	1
6	Motor Pinion Assembly	76940-9539	1	22	Rear Axle	74504-4539	1		Literature Bag (N/A)	76937-9019	1
7	Main Harness Assembly	73560-9799	1	23	Steering Column	76940-4239	1		Owner's Manual	76937-0920	1
8	Handlebar/Switch Assm.	78560-9799	1	24	Steering Linkage	74504-4219	1		Decal Sheet	76937-0310	1
Plastic / Other Parts				25	Round Bushing	78560-2679	2		Foam Battery Pocket	73560-0401	1
9	Body (N/A)	76937-2209	1	26	Bushing w/out Extension	74504-2549	1				
10	Seat w/Lock Fastener	76990-231A	1	27	Bushing w/long Extension	78560-2659	2				
11	Front Wheel	73237-2469	2	28	Front Post Bushing	76990-2129	2				
12	Rear Wheel	73237-2459	2	29	#8 x 7/8" Trusshead Screw	0801-0228	2				
13	Grille	76990-2149	1	30	Acorn Nut	0801-0218	2				
14	Handgrip	76940-2159	2	31	1-1/4" Shoulder Bolt	0801-0304	2				
15	Footpeg	76990-2169	2	32	Seat Lock Fastener	78570-2439	1				
16	Motor Cover w/decals	73560-9489	1	33	5/16" Washer	0801-0253	2				

N/A = Not Available

Bold and underlined parts are for Service Center orders only

