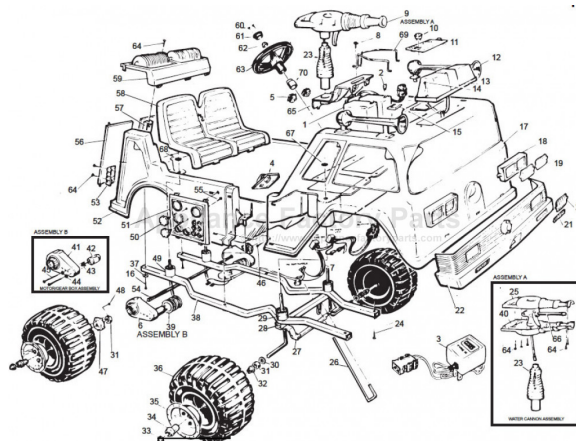


This Owner's Manual is provided and hosted by [Appliance Factory Parts](#).



FISHER PRICE 76246-9993 Owner's Manual

[Shop genuine replacement parts for FISHER PRICE
76246-9993](#)



[Find Your FISHER PRICE Ride On Parts - Select From 999 Models](#)

----- Manual continues below -----

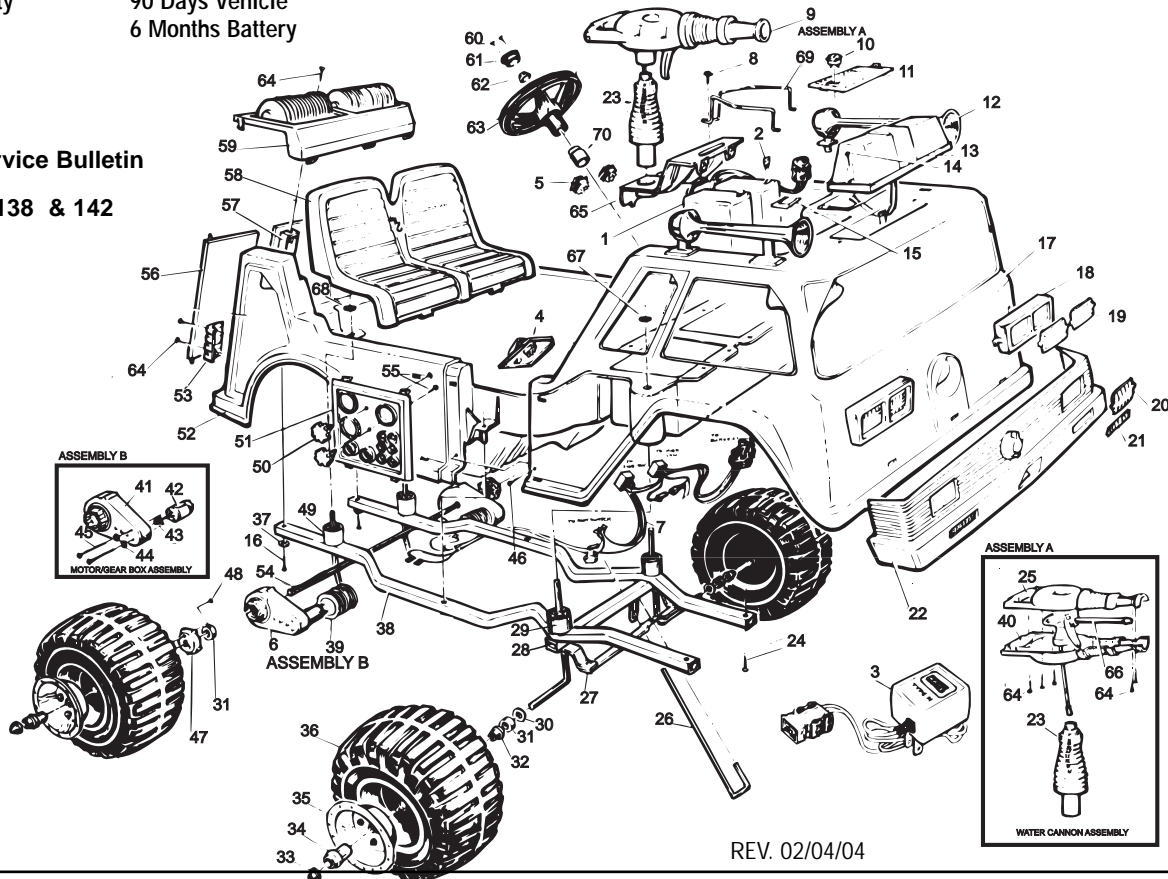
Age Range: 3-7 Yrs.
 Weight Limit: 90 Lbs.
 Surfaces: Hard, Grass & Hills
 Speed: 2.5 / 5.0 MPH Forward
 2.5 MPH Reverse
 Colors: Red Body
 Black Wheels
 Intro: 1988
 Warranty: 90 Days Vehicle
 6 Months Battery

76246-9993 / 86300

Fire Truck Type H 12 Volt

This product is affected by the PW recall announced Oct 1998. Please confirm that the product is modified or remediated in accordance with policy.

Service Bulletin 138 & 142



REV. 02/04/04

Item No.	Description	Part No.	Qty.	Item No.	Description	Part No.	Qty.	Item No.	Description	Part No.	Qty.
1	* Battery (Type H)	00801-0712	2	27	Steering Linkage N/A	76817-4229	1	56	Rear Door Set (N/A)	80018-0021	1
2	30 Amp Fuse Kit N/A	0801-0229	1	28	Front Frame Support (N/A)	80051-0021	1	57	Rear Door Support/Stop (N/A)	80018-0016	1
3	* Charger 12 Volt	00801-0973	1	29	Front Bushing N/A	73233-2539	2	58	Seat N/A	76817-2309	1
4	**Footboard Assembly	76817-9159	1	30	Washer 7/16"	0801-0196	4	59	Rear Panel Cover N/A	80057-0001	1
5	* Switch (Hi-Low/Fwd-Rev)	80014-0073	2	31	Wheel Spacer (N/A)	80052-0003	4	60	1" Plastilock Screw	0801-0224	2
6	Motor Gearbox Assembly	76817-9519	2	32	Round Bushing	74550-2689	2	61	Steering Wheel Cap	74550-2729	1
7	<u>*/** Wiring Harness Kit</u> <i>(Kit includes all switches and wiring)</i>	<u>71234-CS89</u>	1	33	.437 Cap Nut	0801-0226	4	62	.354 Cap Nut	0801-0604	1
8	#8 x 7/8" Trusshead Screw	0801-0228	1	34	Hex Bushing w/Extens N/A	80009-0001	4	63	Steering Wheel	74440-2379	1
9	Water Cannon Assembly (N/A)	76107-9439	1	35	Hubcap	74590-2579	4	64	#8 x 1/2" Phillips Pan Head Screw	0801-0202	12
10	Siren Switch (N/A)	80014-0074	1	36	Wheel N/A	76188-2459	4	65	Battery Door (N/A)	80018-0003	1
11	Switch Plate (N/A)	010029	1	37	Fender Washer 1-1/8" (N/A)	80061-0027	2	66	Trigger & Nozzle (N/A)	76107-9439	1
12	Horn N/A	80032-0008	2	38	Siderail (N/A)	80051-0023	2	67	Retainer .437 w/o Body N/A	0801-0214	2
13	Siren/Light Housing (N/A)	300021	1	39	Motor Cover N/A	73233-2489	2	68	Retainer .354 w/o Body	0801-0252	2
14	#8 x 3/4" Phillips Pan Head Screw	0801-0223	2	40	Water Pump Hous Bottm N/A	80001-0032	1	69	Battery Retainer (N/A)	80047-0004	1
15	Battery U-Clip N/A	74570-2669	1	41	<u>Gearbox</u>	<u>74560-9269</u>	2	70	Steering Column Bushing	75560-2259	1
16	#8 x 7/8" Phillips Pan Head Screw (N/A)	80006-0086	2	42	<u>Motor N/A</u>	<u>76229-0640</u>	2				
17	Body (Front) (N/A)	80005-0002	1	43	<u>Motor Drive Gear N/A</u>	<u>76817-2299</u>	2				
18	Headlight Housing (N/A)	80030-0001	2	44	<u>Star Washer N/A</u>	<u>0801-0331</u>	4				
19	Headlight Lens (N/A)	80030-0007	4	45	<u>Motor Bolt N/A</u>	<u>0801-0300</u>	4				
20	Bumper Light (Red) (N/A)	80030-0008	2	46	Christmas Tree Fastener (N/A)	80010-0018	2				
21	Parking Lights (N/A)	78640-2759	2	47	Driver	73233-2239	2				
22	Grill Bumper (N/A)	80065-0001	1	48	#10 x 1/2" Phillips Screw	0801-0255	2				
23	Water Bottle N/A	80001-0033	1	49	Rear Bushing N/A	73233-2549	2				
24	#8 x 1-1/4" Plascrow N/A	80006-0090	2	50	Cluster Box Knobs N/A	80014-0001	4				
25	Water Pump Housing Top (N/A)	80001-0031	1	51	Cluster Box (Right) (N/A)	80001-0091	1				
26	Steering Column N/A	74560-4239	1	52	Body (Rear) (N/A)	80005-0059	1				
				53	Taillight Set N/A	78640-2279	1				
				54	Rear Axle Assy N/A.	76817-4559	1				
				55	#6 x 3/8" Trusshead Screw	0801-0219	4				

PARTS NOT SHOWN

Washer 5/16"	0801-0253	2
Cluster Box (Left) (N/A)	80001-0090	1
Microphone N/A	473233-9479	1
Siren/Light Battery Cov N/A	80030-0017	1
Literature Bag (N/A)	80044-0028	1
Decals, Window (N/A)	80017-0021	1
Decals (Main Vinyl) (N/A)	80017-0020	1
Use & Care Manual N/A	76246-CCCC	1

*Service Bulletin 138

**Service Bulletin 142

N/A = Not Available

Bold and Underlined parts are to be purchased and installed by Service Centers only. These items may not be sold directly to consumers by Service Centers or Fisher-Price.

