

This Owner's Manual is provided and hosted by [Appliance Factory Parts](#).



# FISHER PRICE 75840-9993 Owner's Manual

[Shop genuine replacement parts for FISHER PRICE  
75840-9993](#)



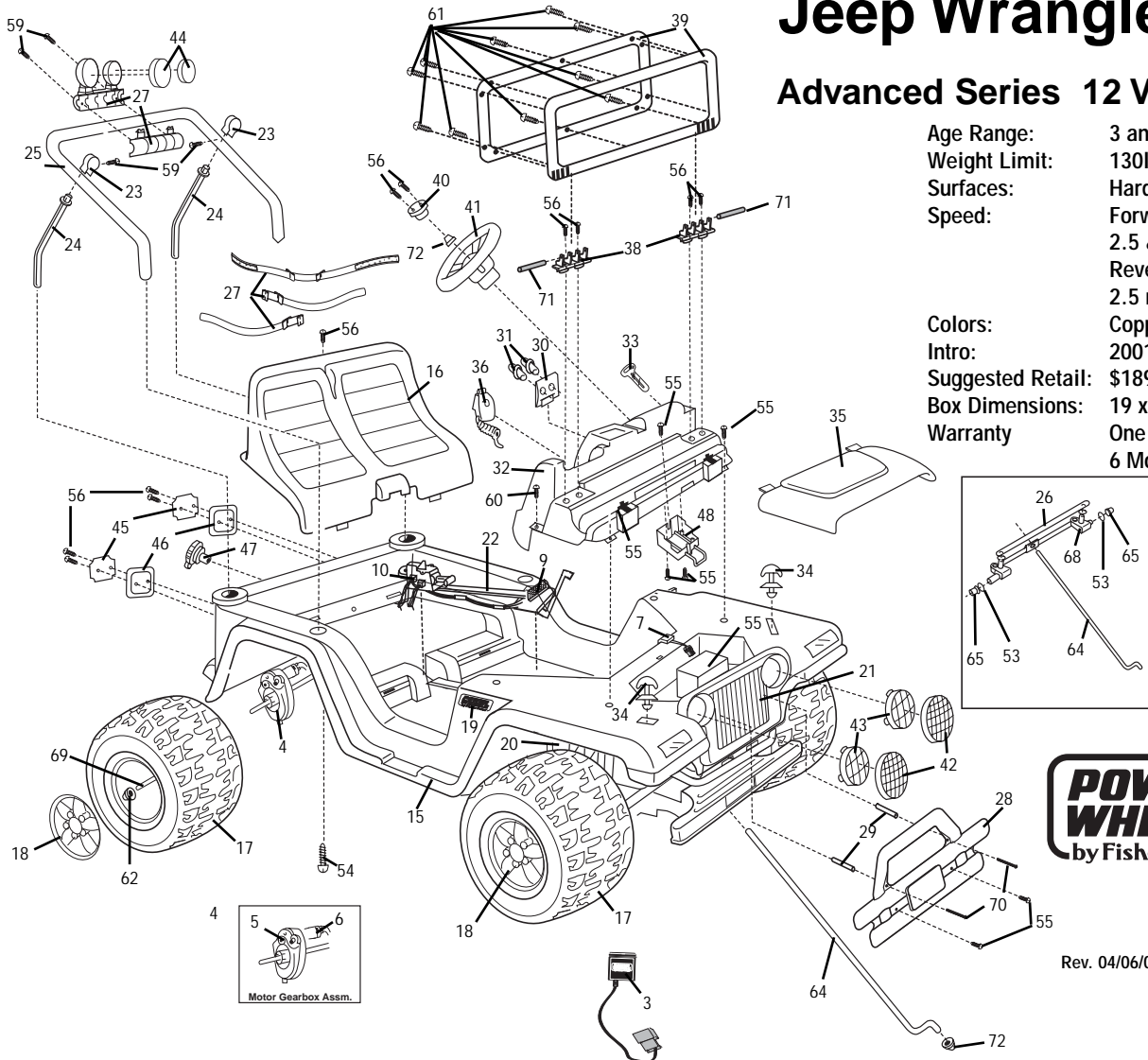
[Find Your FISHER PRICE Ride On Parts - Select From 999 Models](#)

----- Manual continues below -----

# 75840-9993 Jeep Wrangler

## Advanced Series 12 Volt

Age Range: 3 and up  
 Weight Limit: 130lbs  
 Surfaces: Hard and Grass  
 Speed: Forward  
 2.5 & 5 mph  
 Reverse  
 2.5 mph  
 Colors: Copper and Black  
 Intro: 2001  
 Suggested Retail: \$189.99  
 Box Dimensions: 19 x 34 x 45  
 Warranty: One Year Vehicle  
 6 Months Battery



Rev. 04/06/04

Item No.	Description	Part No.	Qty.	Item No.	Description	Part No.	Qty.	Item No.	Description	Part No.	Qty.
<b>Working / Electrical Parts</b>											
1	Battery 12 volt	00801-0638	1	30	Knob bezel	75840-2719	1	60	Screw # 10 1/2" N/A	0801-0540	2
3	12 volt fused charger	00801-0972	1	31	Dash knob	74460-2199	2	61	Screw panhead 1/4" 10 x1.5	0801-0578	10
4	<b>Motor Gearbox Assembly</b>	<b>00968-2902</b>	2	32	Dash	4000-0287	1	N/A, please order hardware bag			
5	<b>Gearbox W/out Motor</b>	<b>00968-2802</b>	2	33	Key housing assm	78490-9369	1	62	Cap nut .437	0801-0226	6
6	<b>Motor Pinion Assembly</b>	<b>74440-9579</b>	2	34	Hoodlatch	78490-9559	2	64	Steering column	78490-4239	1
7	<b>Main Harness Assembly</b>	<b>78490-9699</b>	1	35	Hood	4000-0288	1	65	Round bushing 7/16"	74550-2689	1
9	Footboard assembly	75840-9829	1	36	Microphone	73233-9479	1	66	Axle/Linkage assembly	74440-9419A	1
10	Shifter assembly	74310-9239	1	37	Seatbelts	74460-5339	1	67	Linkage assembly	74440-9419A	1
<b>Plastic / Other Parts</b>											
15	Body	N/A		38	Windshield bracket set	74270-2639	2	68	Front axle	74440-4509	1
16	Seat	78490-2319	1	39	Windshield	4000-0286	1	69	Rear axle	74440-4519	1
17	Wheel	74020-2459	4	40	Steering wheel button	74550-2729	1	70	Screw 4" (N/A) order hardware bag		
18	Hubcap	74440-2579	4	41	Steering wheel	74440-2379	1	71	Hinge Pins	0801-0301	2
19	PW emblem	74460-9069	1	42	Headlight lens guard	74460-2339	1	72	.354 Cap Nut	0801-0257	2
20	Front module	75840-2119	1	43	Headlight lens set	74450-2279	1				
21	Grill	75598-2849	1	44	KC light cover	74460-2169	1	<b>Parts Not Shown</b>			
22	Channel cover	75840-2289	1	45	Taillight lens set	73233-2279	1	Large Parts Bag	75840-9039	1	
23	Rollbar bracket set	75840-2179	1	46	Taillight housing set	73233-2759	1	Hardware Bag	75840-9059	1	
24	Rollbar support	78490-2229	1	47	Gas cap	75840-2089	1	Owner's Manual	75840-0920	1	
25	Roll bar with connector	74450-9219	1	48	Battery Retainer	74020-9819	1	Main decal sheet	75840-0310	1	
26	Crossbar	74460-4419	1	<b>Hardware / Metal Parts</b>							
27	KC light rack set	78457-9349	1	53	Washer 7/16"	0801-0196	2	Holographic decal sheet	74020-0320	1	
28	Brushguard	75840-2189	1	54	Screw 1 1/2 x 1/4" N/A	0801-1200	2	<b>Footswitch (plunger)</b>	<b>00801-0933</b>	1	
29	Spacer brushguard/bumper	74460-2069	2	55	Screw #10x1	0801-0220	7	<b>Control Switch(shifter/rocker)</b>	<b>00801-0923</b>	1	
				56	Screw #8 18x1" N/A	0801-0224	11				
				59	Screw #6 x1.5	0801-0469	4				

N/A = Not Available

**Bold and Underlined parts are to be purchased and installed by Service Centers only. These items may not be sold directly to consumers by Service Centers or Fisher-Price.**